



US00D854974S

(12) **United States Design Patent** (10) **Patent No.:** **US D854,974 S**
Messale et al. (45) **Date of Patent:** **** Jul. 30, 2019**

(54) **VEHICLE FRONT LOWER GRILLE**
(71) Applicant: **Ford Global Technologies, LLC**,
Dearborn, MI (US)
(72) Inventors: **Claudio Messale**, Cologne (DE); **Kevin George**, Canton, MI (US); **Raffaele Gerace**, Langdon Hills (GB)
(73) Assignee: **Ford Global Technologies, LLC**,
Dearborn, MI (US)
(**) Term: **15 Years**
(21) Appl. No.: **29/640,763**
(22) Filed: **Mar. 16, 2018**
(51) **LOC (11) Cl.** **12-16**
(52) **U.S. Cl.**
USPC **D12/163**
(58) **Field of Classification Search**
USPC D12/169, 196, 86, 90-92, 163, 190, 98,
D12/164; 293/102, 113, 115, 117, 120,
293/193.11; 296/180.1, 180.2; 180/68.1,
180/68.6
CPC B60R 19/52; B60K 11/08; B62D 25/08;
B62B 9/16
See application file for complete search history.

D681,514 S * 5/2013 Platto D12/163
D683,667 S * 6/2013 Platto D12/163
D685,690 S * 7/2013 Svensson D12/163
D712,319 S * 9/2014 Mays D12/163
D740,184 S * 10/2015 Blanski D12/163
D758,927 S * 6/2016 Messale D12/163
D771,533 S * 11/2016 Kapitonov D12/169
D771,534 S * 11/2016 Bucher D12/169
D780,646 S * 3/2017 Wolff D12/163
D786,743 S * 5/2017 Smith D12/163
D788,656 S * 6/2017 Svensson D12/163
D789,840 S * 6/2017 Curic D12/163
D791,653 S * 7/2017 Svensson D12/163
D815,570 S * 4/2018 McMahan D12/163
D819,512 S * 6/2018 Behmer D12/163
D827,513 S * 9/2018 Gueler D12/163
D837,700 S * 1/2019 Gueler D12/163

* cited by examiner

Primary Examiner — Melody N Brown

(74) *Attorney, Agent, or Firm* — Vichit Chea

(57) **CLAIM**

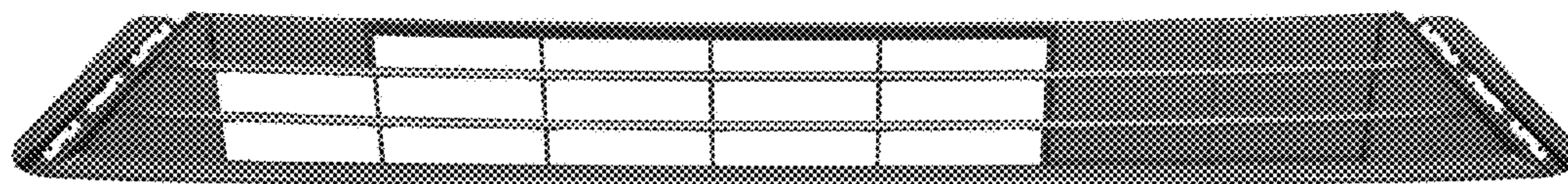
The ornamental design for a vehicle front lower grille, as shown and described.

DESCRIPTION

FIG. 1 is a front elevational view of a vehicle front lower grille, showing our new design;
FIG. 2 is a left side elevational view thereof;
FIG. 3 is a right side elevational view thereof;
FIG. 4 is a top plan view thereof;
FIG. 5 is a bottom plan view thereof;
FIG. 6 is a top, front, and left side perspective view thereof;
and,
FIG. 7 is a bottom, front, and left side perspective view thereof.

1 Claim, 7 Drawing Sheets

(56) **References Cited**
U.S. PATENT DOCUMENTS
D473,500 S * 4/2003 Okumoto D12/169
D502,675 S * 3/2005 Ichinose D12/169
D504,366 S * 4/2005 Ishibashi D12/169
D533,819 S * 12/2006 Hogios D12/169
D561,072 S * 2/2008 Golden D12/169
D593,460 S * 6/2009 Schiavone D12/163
D680,921 S * 4/2013 Jara D12/163



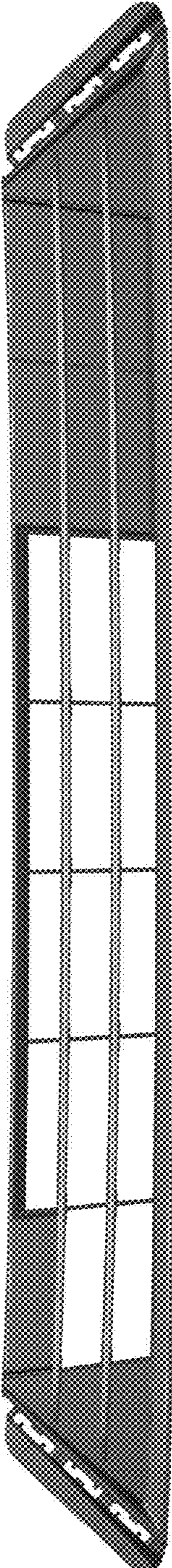


Fig. 1

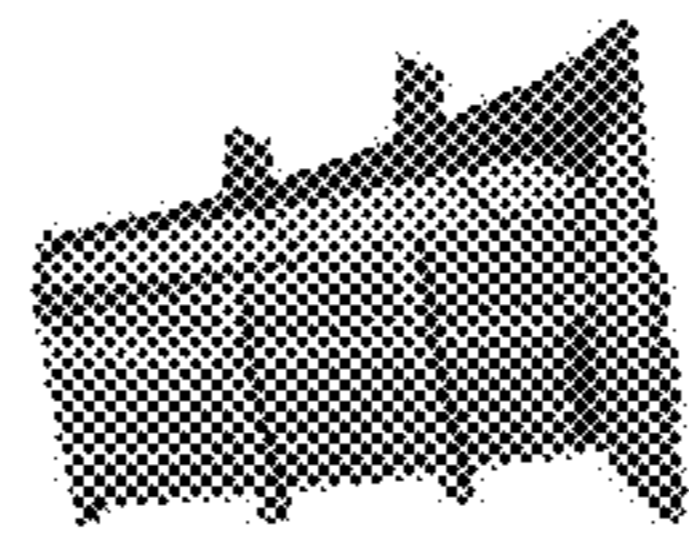


Fig. 2

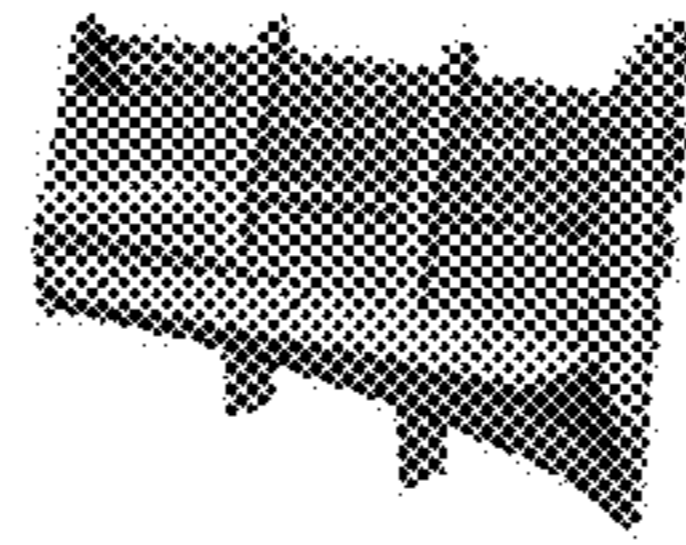


Fig. 3

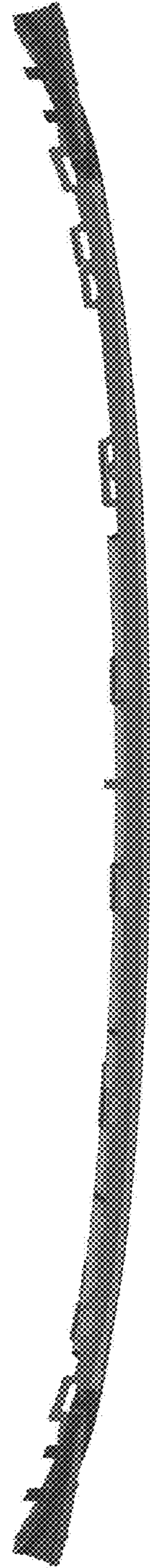
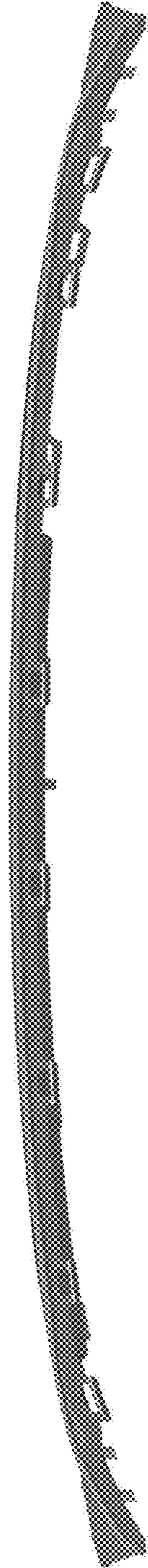


Fig. 4

Fig. 5



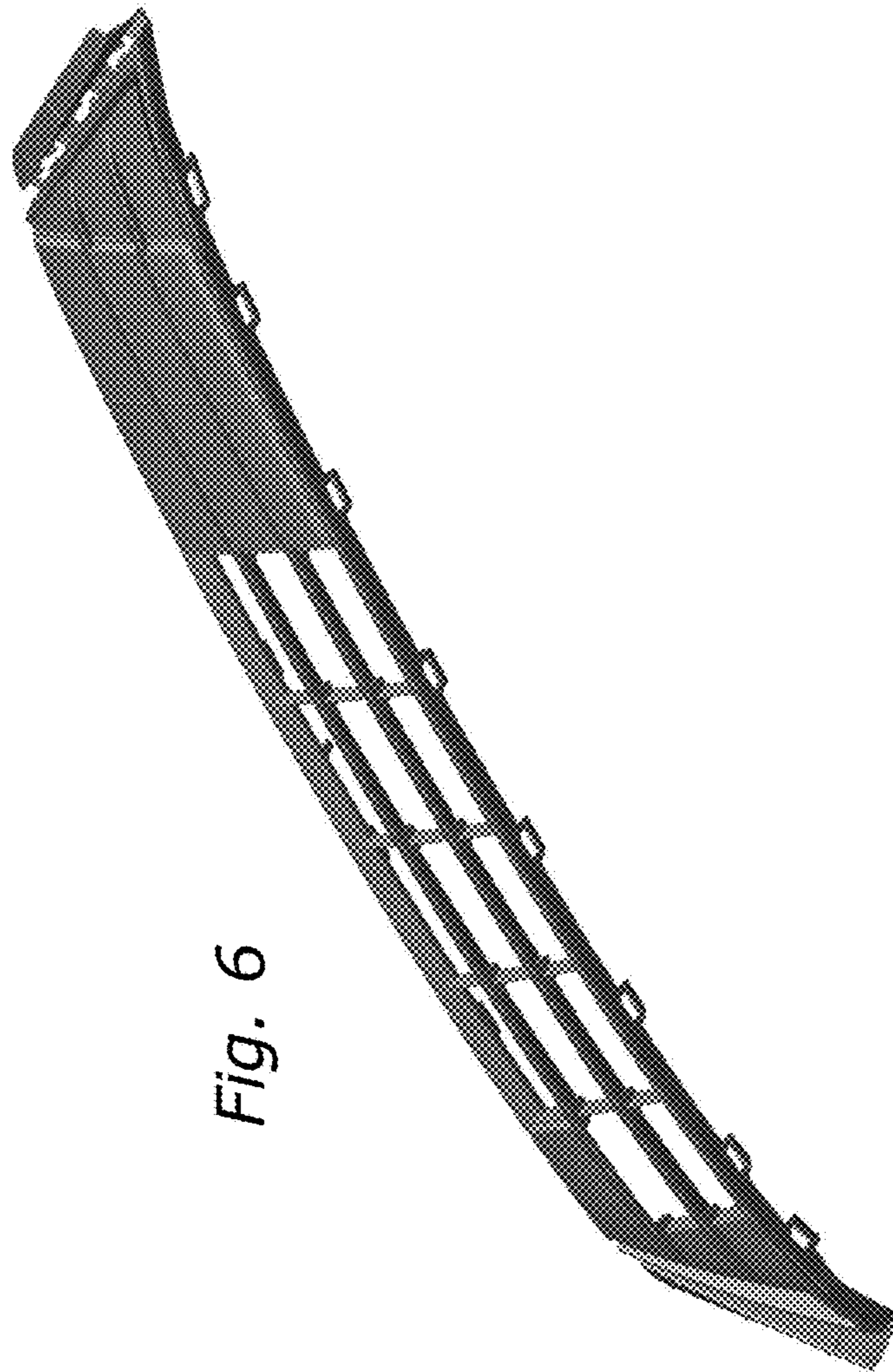


Fig. 6

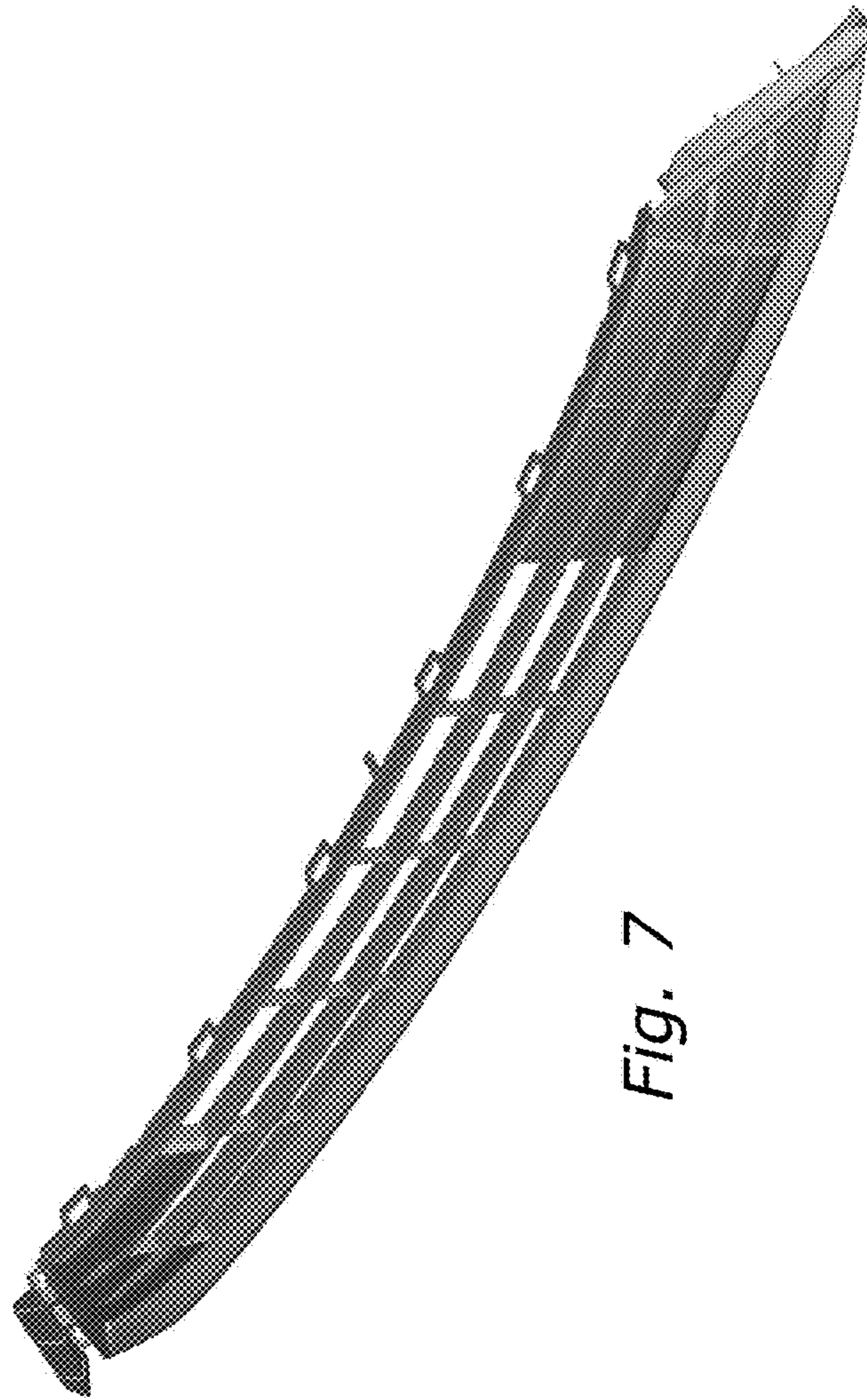


Fig. 7