



US00D854973S

(12) **United States Design Patent** (10) **Patent No.:** **US D854,973 S**
Betancourt et al. (45) **Date of Patent:** **** Jul. 30, 2019**

(54) **VEHICLE FRONT UPPER GRILLE**

(71) Applicant: **Ford Global Technologies, LLC,**
Dearborn, MI (US)

(72) Inventors: **Melvin Betancourt,** Shelby Township,
MI (US); **Eric Stoddard,** Birmingham,
MI (US); **Daniel J. Kangas,** Dearborn
Heights, MI (US); **Darrell P. Behmer,**
Novi, MI (US); **Craig S. Metros,**
Bloomfield, MI (US); **Christopher**
Svensson, Bloomfield, MI (US)

(73) Assignee: **Ford Global Technologies, LLC,**
Dearborn, MI (US)

(**) Term: **15 Years**

(21) Appl. No.: **29/640,728**

(22) Filed: **Mar. 16, 2018**

(51) **LOC (11) Cl.** **12-16**

(52) **U.S. Cl.**
USPC **D12/163**

(58) **Field of Classification Search**
USPC D12/169, 196, 86, 90-92, 163, 190;
293/102, 113, 115, 117, 120, 193.11;
296/180.1, 180.2; 180/68.1, 68.6
CPC B60R 19/52; B60K 11/08; B62D 25/08;
B62B 9/16
See application file for complete search history.

(56) **References Cited**

U.S. PATENT DOCUMENTS

D727,220 S * 4/2015 Rugar D12/163
D753,029 S * 4/2016 Talsma D12/163

D758,928 S * 6/2016 Messale D12/163
D783,467 S * 4/2017 Svensson D12/163
D795,760 S * 8/2017 Kozub D12/163
D796,390 S * 9/2017 Pevovar D12/163
D799,386 S * 10/2017 Kozub D12/163
D825,406 S * 8/2018 Gueler D12/163
D836,042 S * 12/2018 Yang D12/163
D837,106 S * 1/2019 Yang D12/163
D837,108 S * 1/2019 Yang D12/163

* cited by examiner

Primary Examiner — Melody N Brown

(74) *Attorney, Agent, or Firm* — Vichit Chea

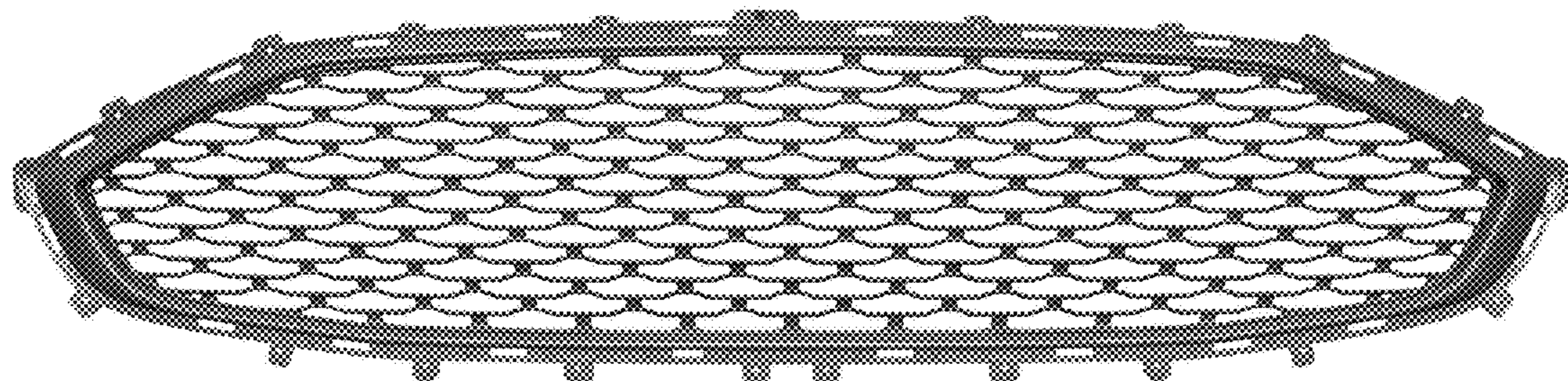
(57) **CLAIM**

The ornamental design for a vehicle front upper grille, as shown and described.

DESCRIPTION

FIG. 1 is a front elevational view of a vehicle front upper grille, showing our new design;
FIG. 2 is a left side elevational view thereof;
FIG. 3 is a right side elevational view thereof;
FIG. 4 is a top plan view thereof;
FIG. 5 is a bottom plan view thereof;
FIG. 6 is a top, front, and left side perspective view thereof;
and,
FIG. 7 is a bottom, front, and left side perspective view thereof.

1 Claim, 7 Drawing Sheets



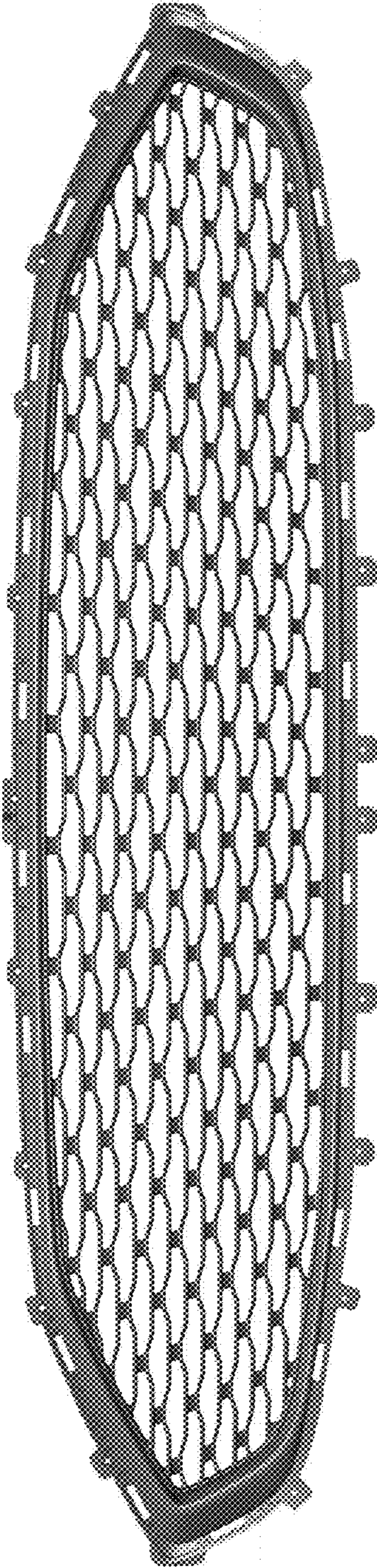


Fig. 1

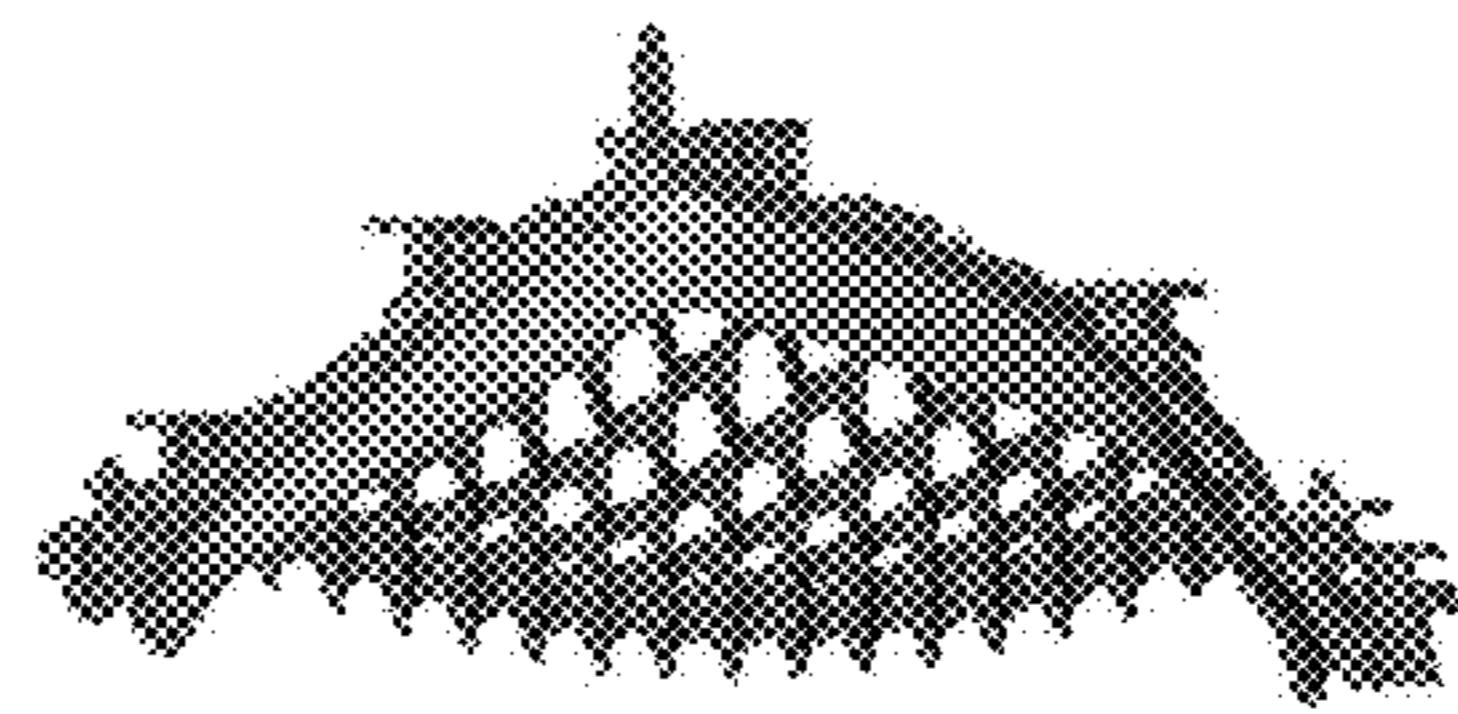


Fig. 2

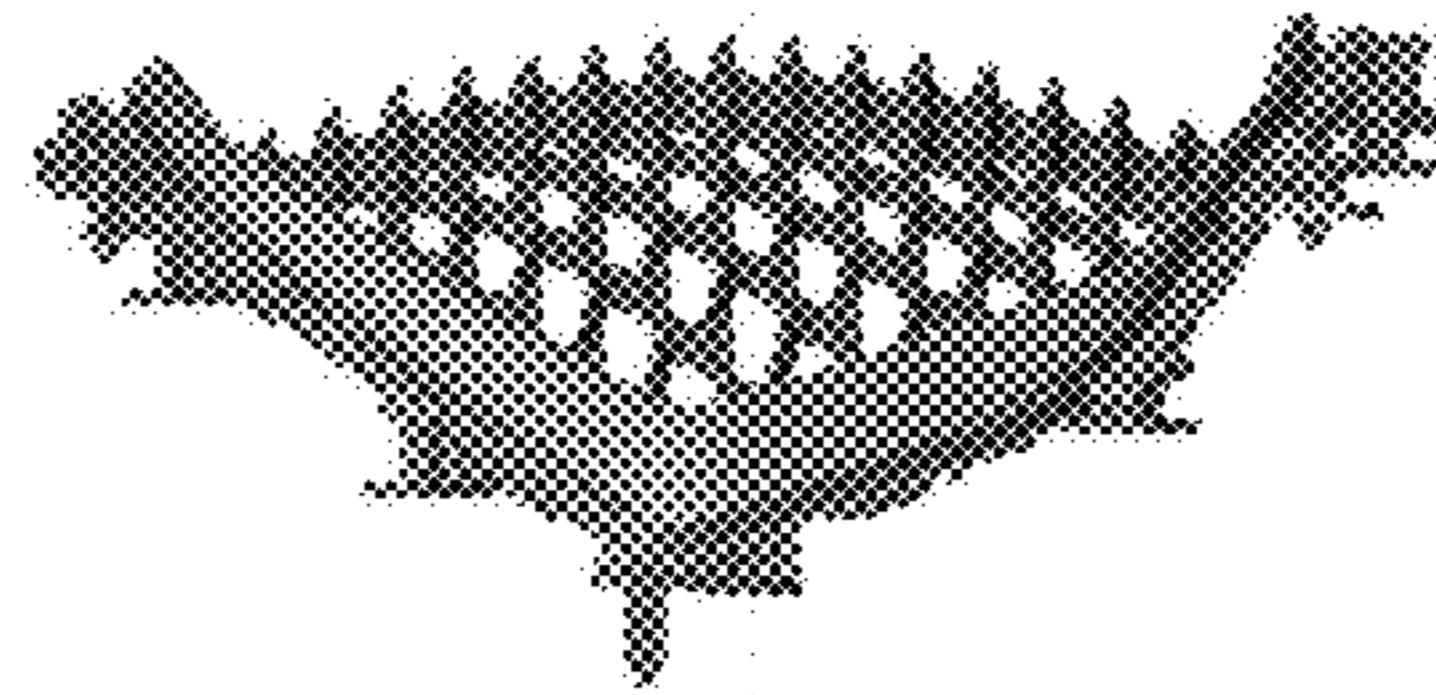


Fig. 3

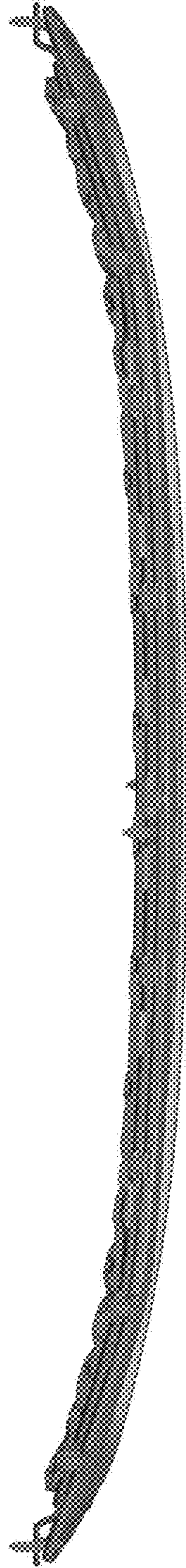
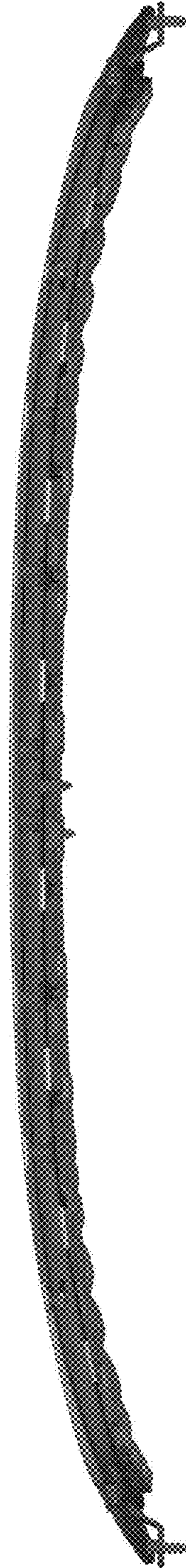


Fig. 4

Fig. 5



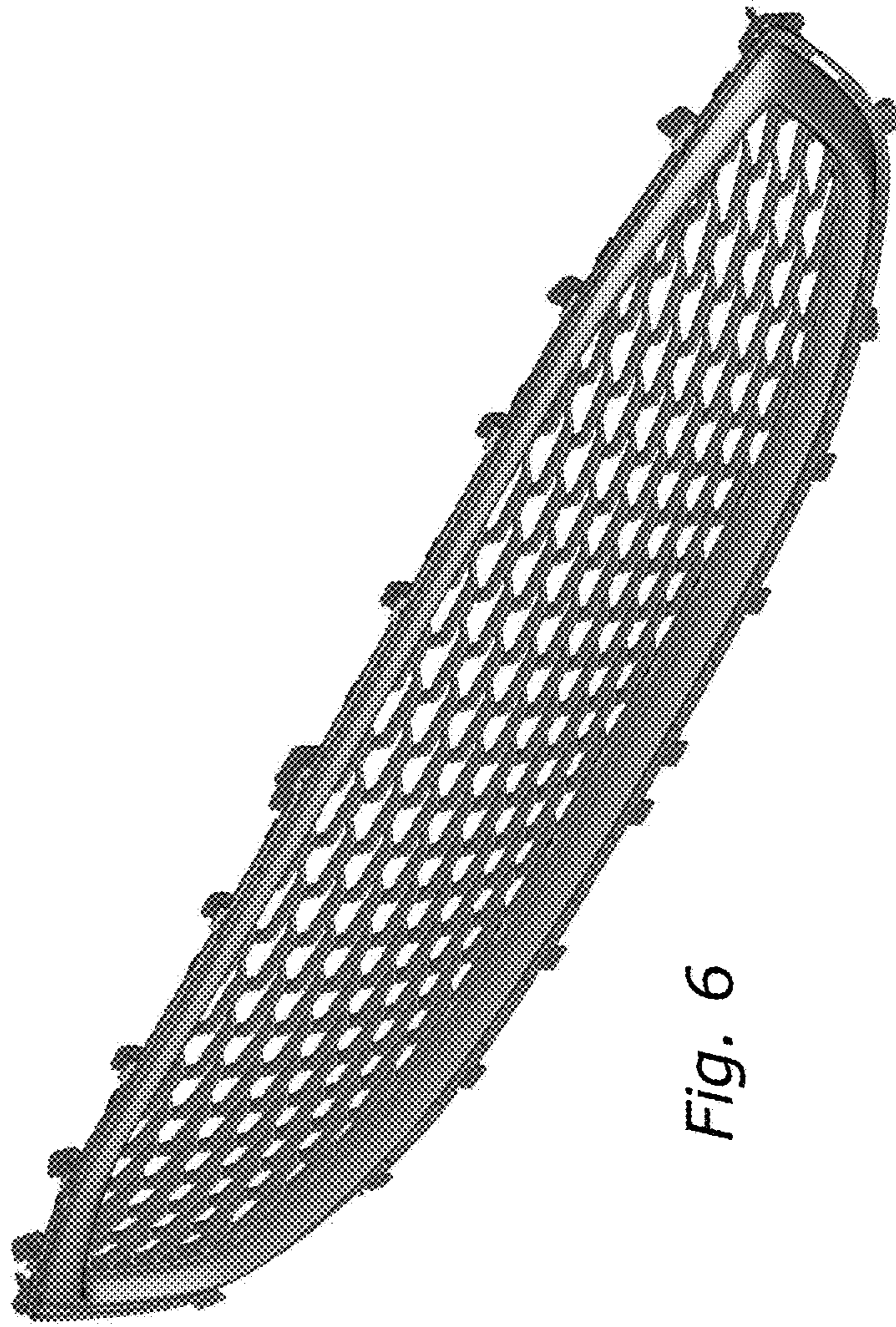


Fig. 6

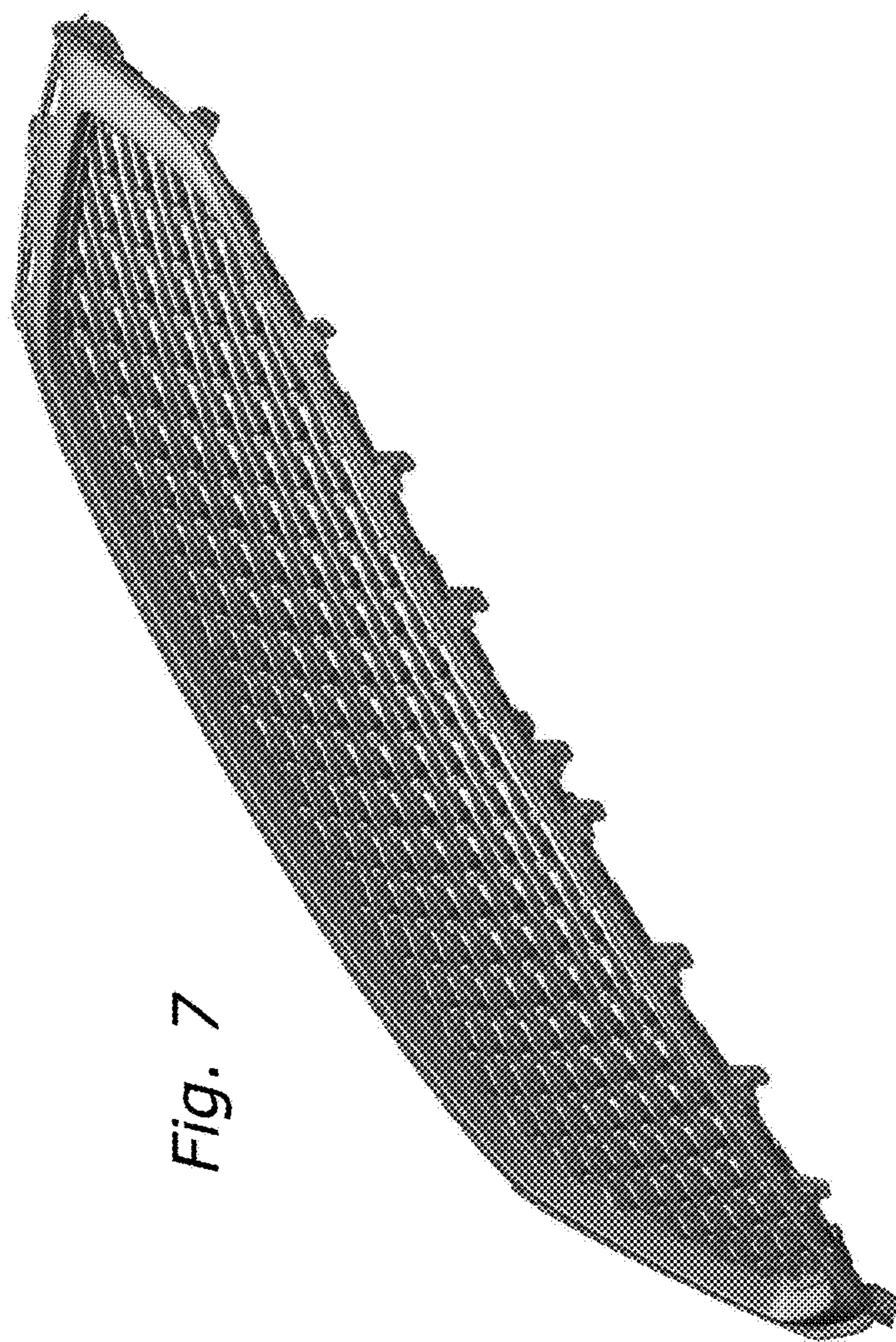


Fig. 7