

US00D854972S

(12) **United States Design Patent** (10) **Patent No.:** **US D854,972 S**
Suzuki et al. (45) **Date of Patent:** **** Jul. 30, 2019**

(54) **AUTOMOTIVE RADIATOR GRILLE**

(71) Applicant: **Nissan Motor Co., Ltd.**, Yokohama, Kanagawa (JP)

(72) Inventors: **Motoyuki Suzuki**, Kanagawa (JP);
Masato Takahashi, Kanagawa (JP)

(73) Assignee: **Nissan Motor Co., Ltd.**, Yokohama (JP)

(**) Term: **15 Years**

(21) Appl. No.: **29/633,098**

(22) Filed: **Jan. 12, 2018**

(30) **Foreign Application Priority Data**

Jul. 14, 2017 (JP) 2017-015282

(51) **LOC (11) Cl.** **12-16**

(52) **U.S. Cl.**
USPC **D12/163; D12/171**

(58) **Field of Classification Search**
USPC D12/86, 90, 91, 92, 163, 169, 196, 171,
D12/216; D15/31
CPC . B60R 19/52; B60R 2019/525; B60K 11/085;
B62D 25/084; H01Q 1/32
See application file for complete search history.

(56) **References Cited**

U.S. PATENT DOCUMENTS

D497,849 S * 11/2004 Yanase D12/163
D592,111 S * 5/2009 Janik D12/163
D614,542 S * 4/2010 Kasai D12/163
D634,676 S * 3/2011 Iida D12/163
D670,214 S * 11/2012 Watanabe D12/163

D686,117 S * 7/2013 Tase D12/163
D766,782 S * 9/2016 Arroba D12/163
D773,341 S * 12/2016 Liu D12/92
D774,999 S * 12/2016 Liu D12/163
D783,465 S * 4/2017 Choi D12/163
D789,844 S * 6/2017 Sakai D12/163
D789,845 S * 6/2017 Oohashi D12/163
D818,885 S * 5/2018 Seo D12/163
D818,891 S * 5/2018 Minamiyama D12/163
D819,504 S * 6/2018 Lalo D12/163
D819,508 S * 6/2018 Ino D12/163
D819,509 S * 6/2018 Tanaka D12/163
2017/0137954 A1 * 5/2017 Hashimoto B60K 11/08

* cited by examiner

Primary Examiner — Darlington Ly

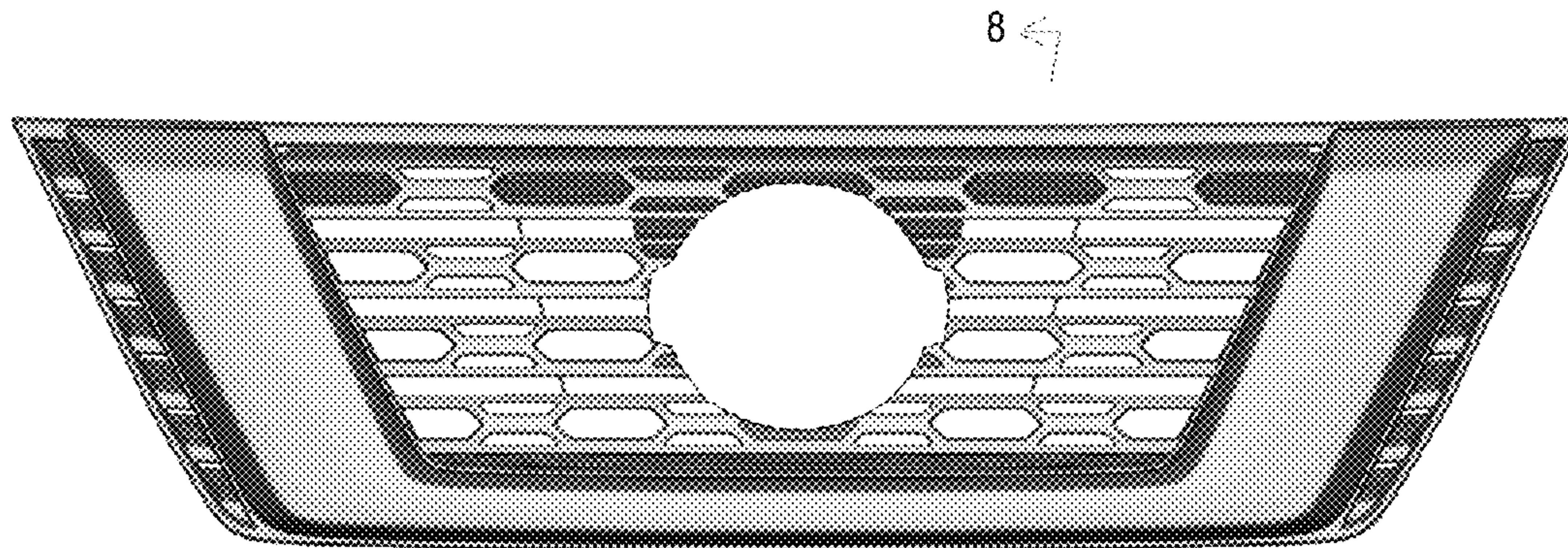
(57) **CLAIM**

The ornamental design for an automotive radiator grille, as shown and described.

DESCRIPTION

FIG. 1 is a front elevation view of an automotive radiator grille showing our new design;
FIG. 2 is a top plan view thereof;
FIG. 3 is a bottom plan view thereof;
FIG. 4 is a right side elevation view thereof;
FIG. 5 is a left side elevation view thereof;
FIG. 6 is a bottom, front, and right side perspective view thereof;
FIG. 7 is a top, front, and left side perspective view thereof;
and,
FIG. 8 is a cross-sectional view thereof, where the cut plane is taken along line 8-8 indicated in FIG. 1.
The broken line showing of the rear surface configuration or portions of the automotive radiator grille do not form part of the claimed design.

1 Claim, 8 Drawing Sheets



8

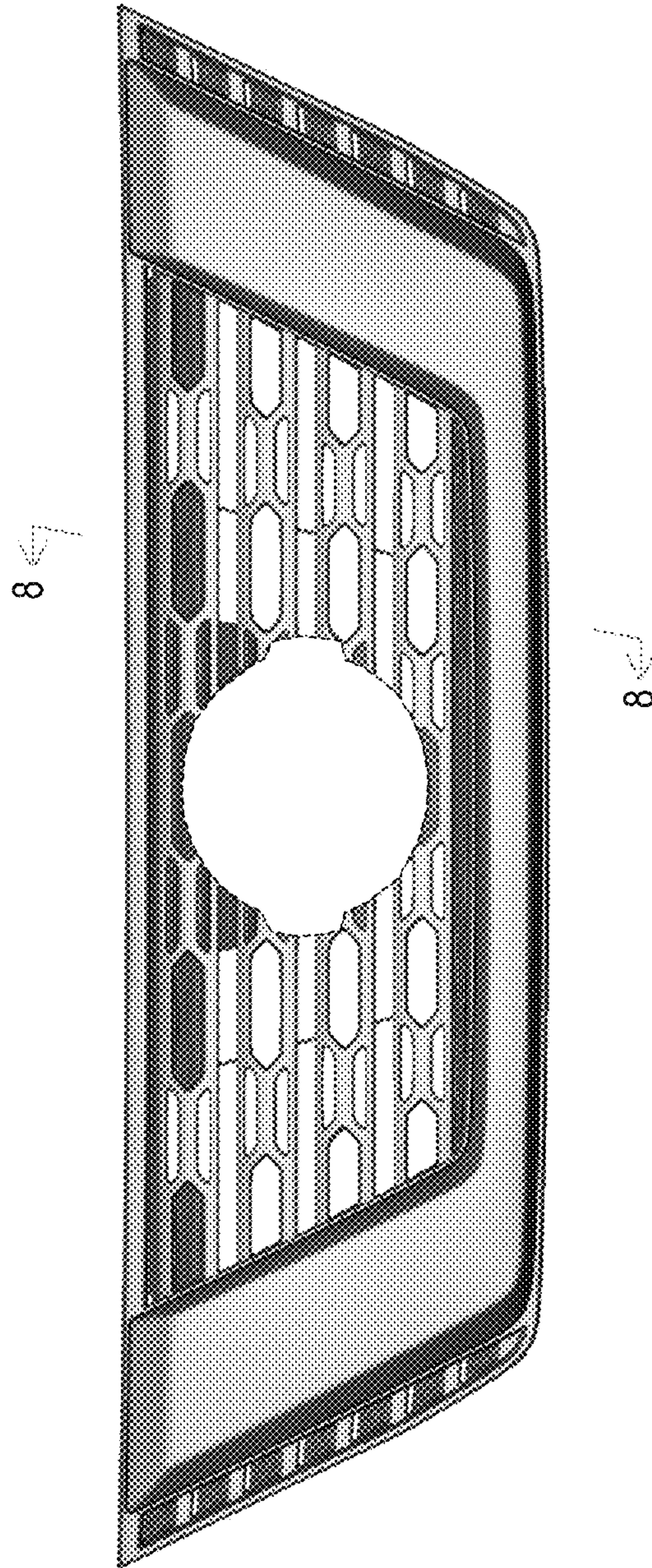


FIG. 1

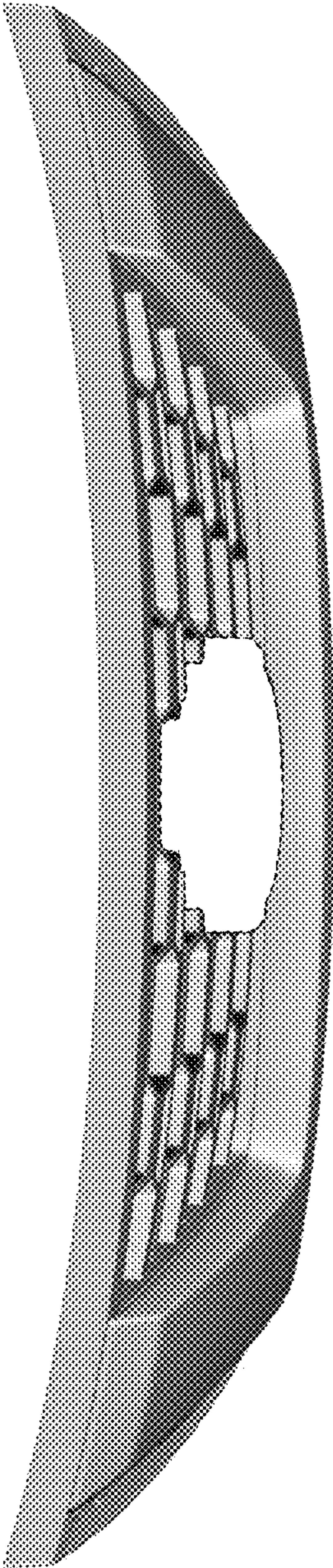


FIG. 2

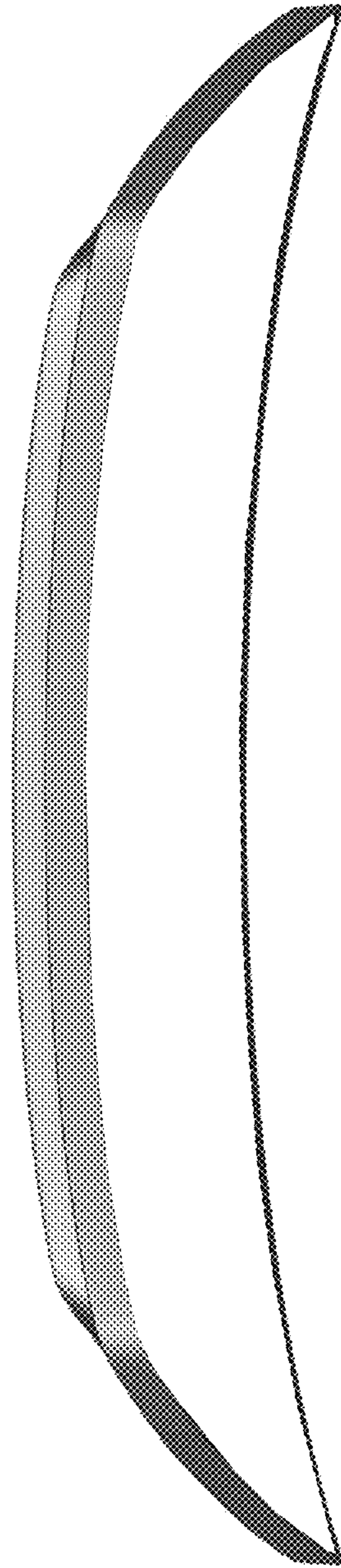


FIG. 3

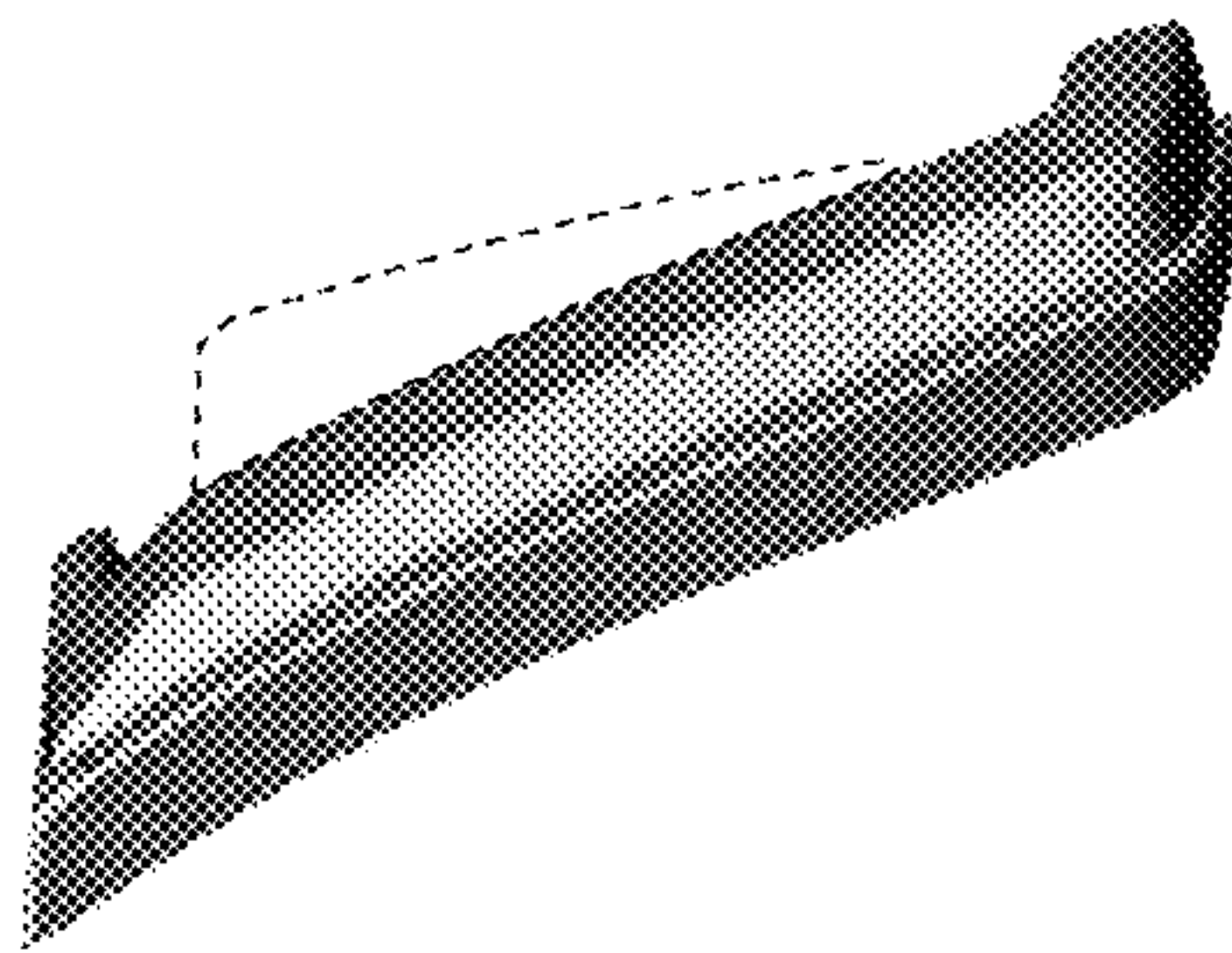


FIG. 4

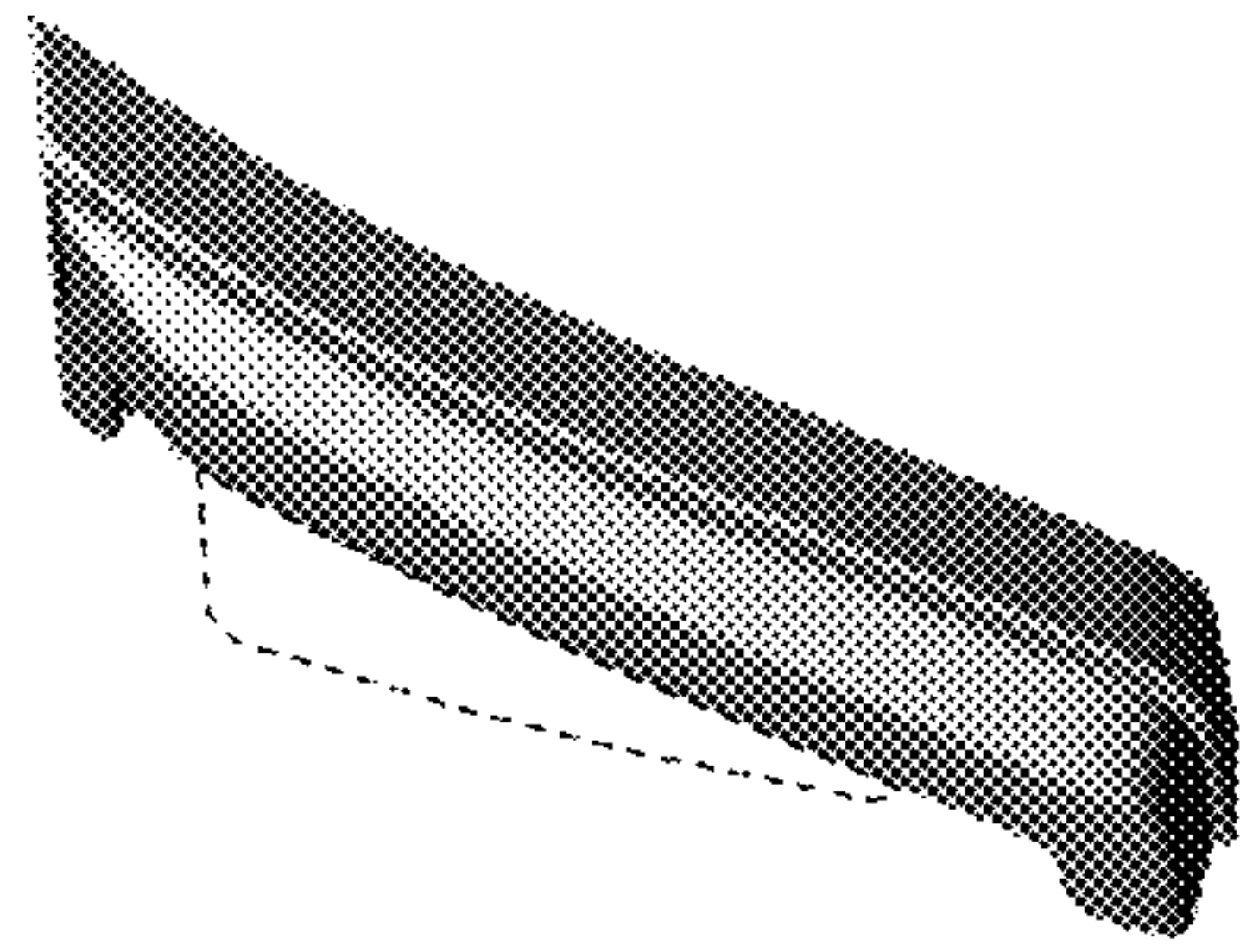


FIG. 5

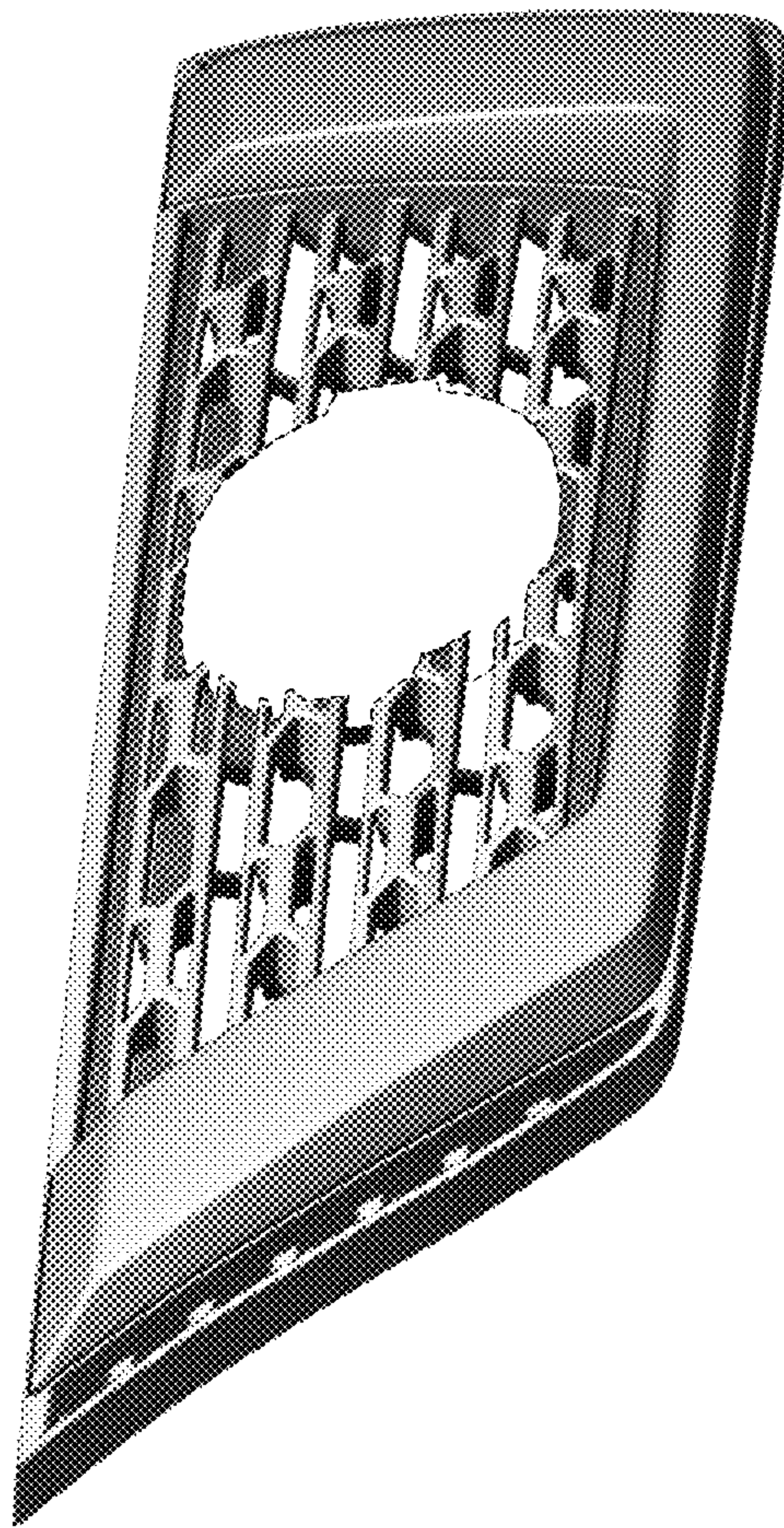


FIG. 6

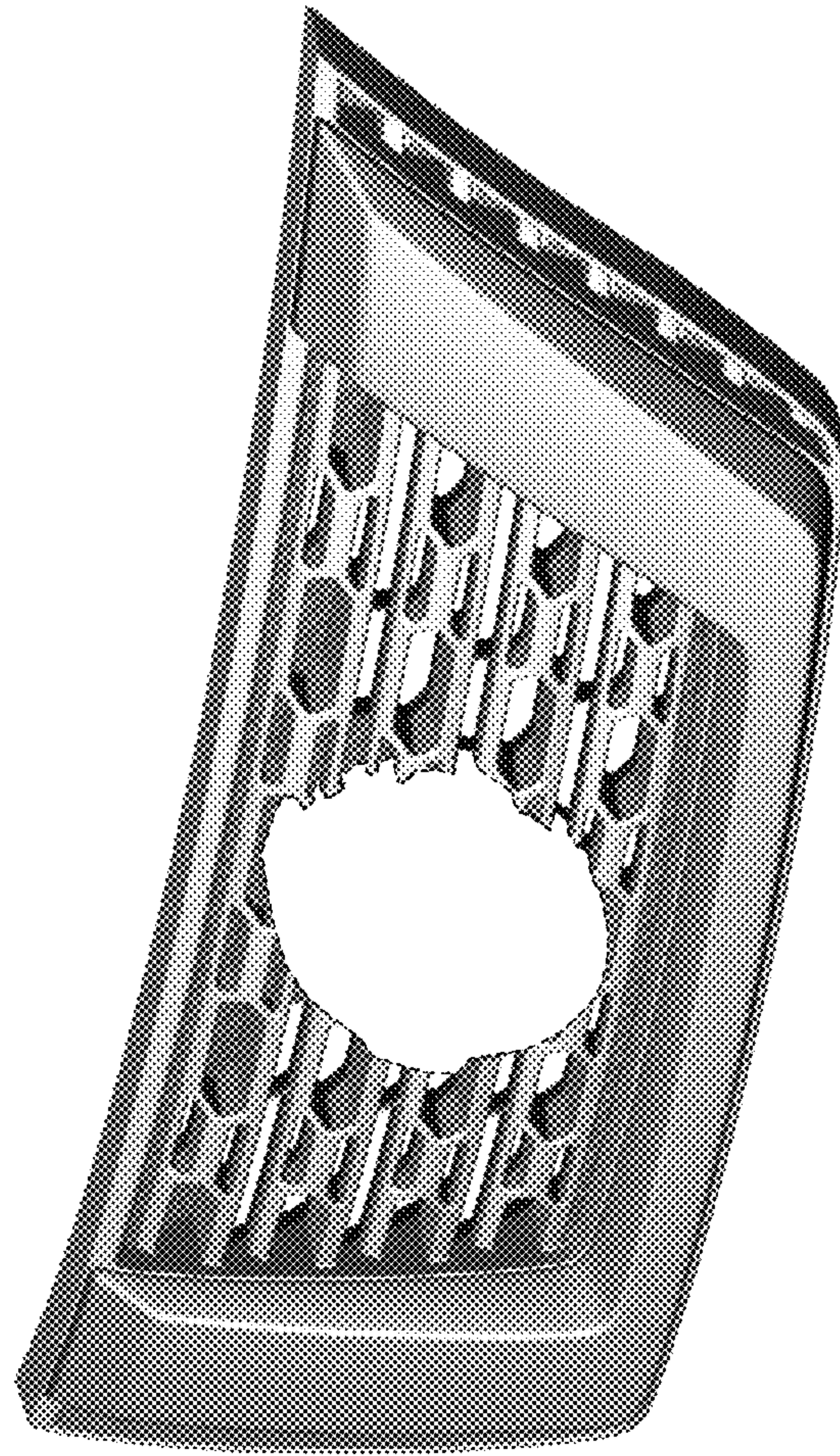


FIG. 7

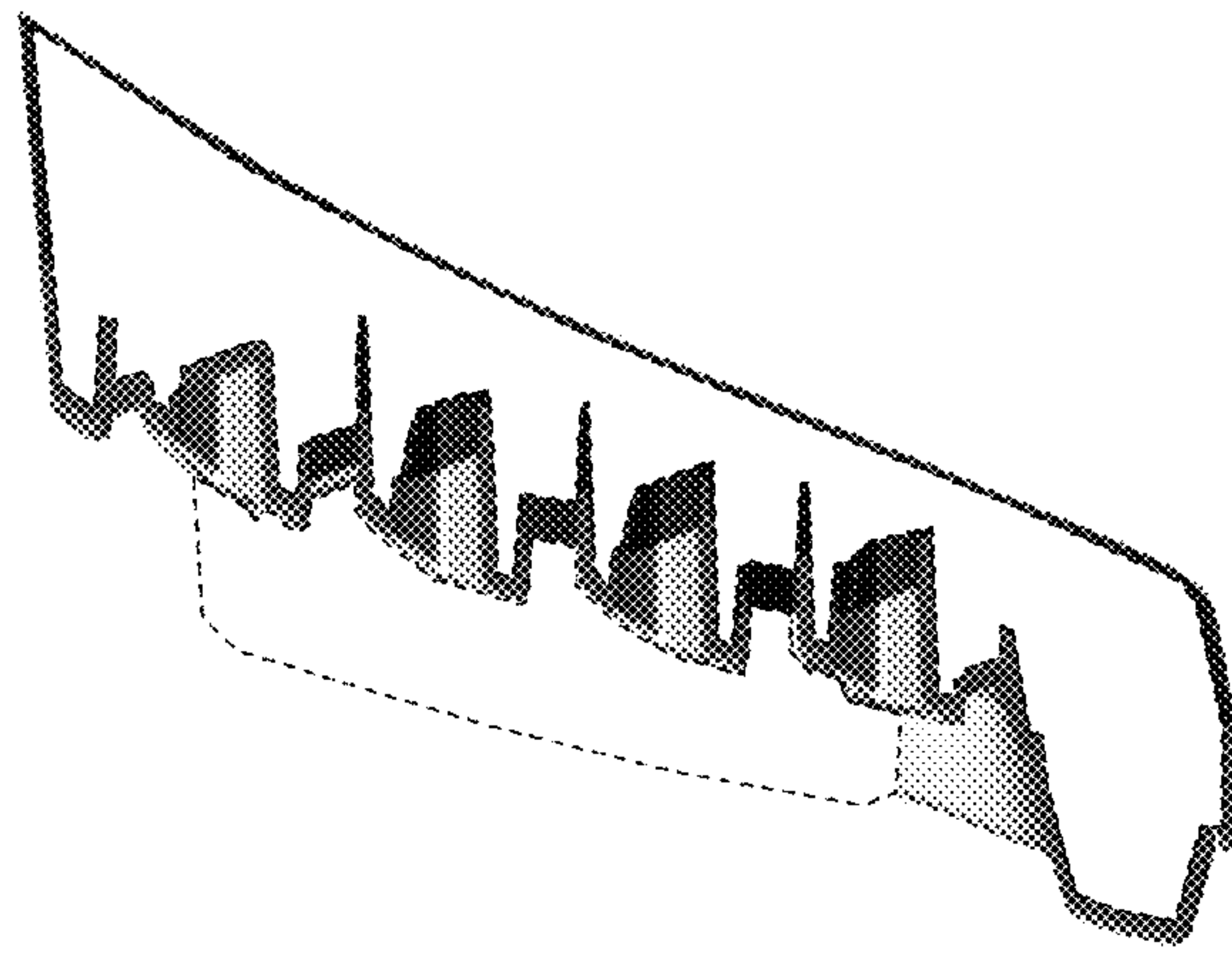


FIG. 8