



US00D854971S

(12) **United States Design Patent**
McCuskey

(10) **Patent No.:** **US D854,971 S**

(45) **Date of Patent:** **** Jul. 30, 2019**

(54) **BALL TRAILER HITCH**

(71) Applicant: **Scott McCuskey**, Boardman, OH (US)

(72) Inventor: **Scott McCuskey**, Boardman, OH (US)

(**) Term: **15 Years**

(21) Appl. No.: **29/626,340**

(22) Filed: **Nov. 16, 2017**

(51) **LOC (11) Cl.** **12-16**

(52) **U.S. Cl.**
USPC **D12/162**

(58) **Field of Classification Search**
CPC . B60D 1/60; B60D 1/065; B60D 1/00; B60D
1/06

See application file for complete search history.

(56) **References Cited**

U.S. PATENT DOCUMENTS

6,789,815	B2 *	9/2004	Moss	B60D 1/06 280/416.1
D699,098	S *	2/2014	Fretz	D8/367
D729,703	S *	5/2015	Song	D12/162
D790,408	S *	6/2017	Wymore	D12/162
D794,516	S *	8/2017	Siegel	D12/162

9,958,001	B2 *	5/2018	Liu	F16B 45/02
D832,156	S *	10/2018	Johns	D12/162
D834,464	S *	11/2018	Cincunegui	D12/162
D841,526	S *	2/2019	Siegel	D12/162
2003/0052472	A1 *	3/2003	Moss	B60D 1/06 280/415.1
2007/0176446	A1 *	8/2007	Eising	B66C 1/34 294/82.17
2018/0079266	A1 *	3/2018	Cincunegui	B60D 1/06

* cited by examiner

Primary Examiner — Katrina A Betton

(74) *Attorney, Agent, or Firm* — Harpman & Harpman

(57) **CLAIM**

The ornamental design for a ball trailer hitch, as shown and described.

DESCRIPTION

FIG. 1 is an isometric perspective front, right side and top view of a ball trailer hitch.

FIG. 2 is a top plan view thereof.

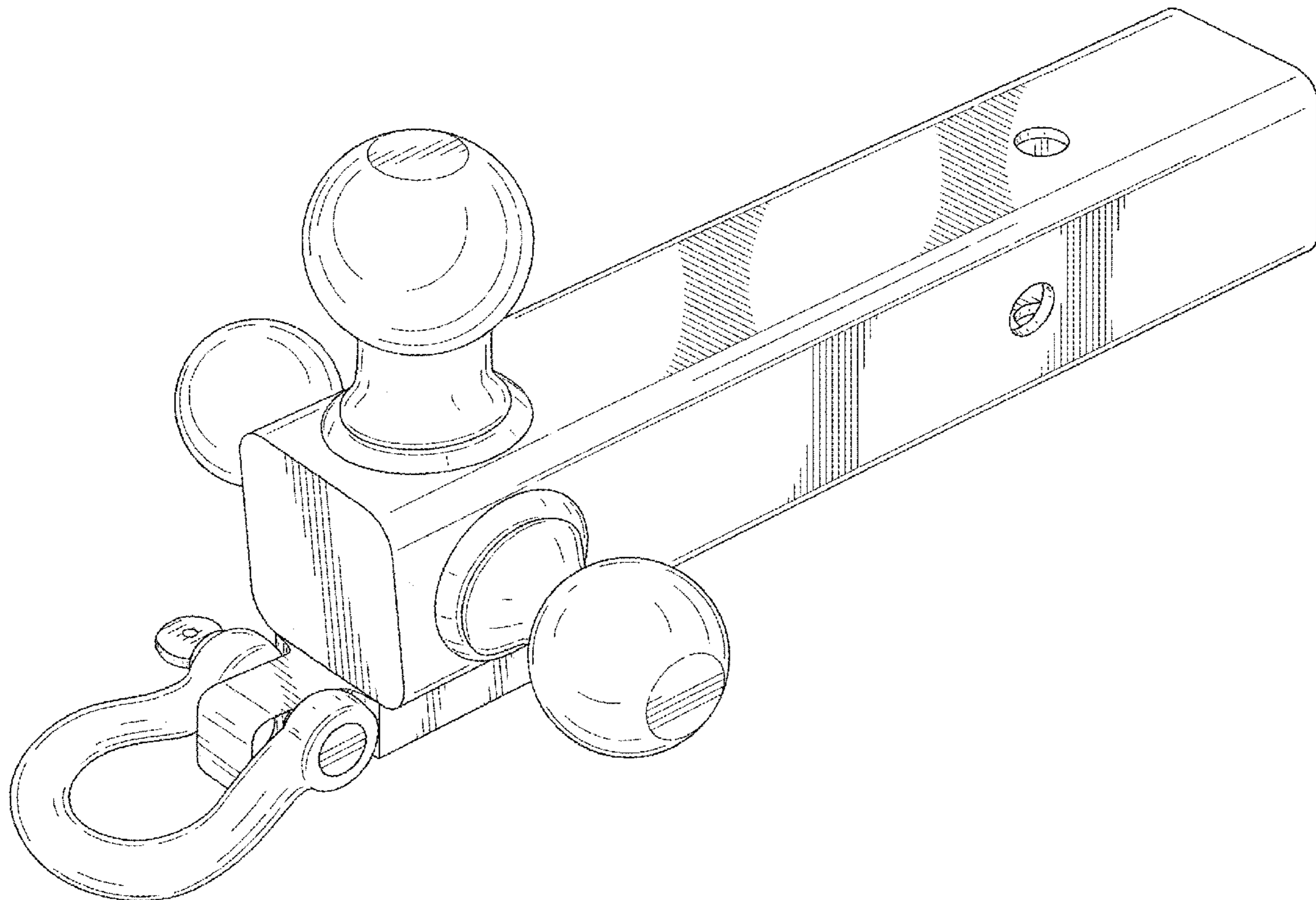
FIG. 3 is a bottom plan view thereof.

FIG. 4 is a rear elevational view thereof.

FIG. 5 is a front elevational view thereof; and,

FIG. 6 is a left side elevational view thereof.

1 Claim, 6 Drawing Sheets



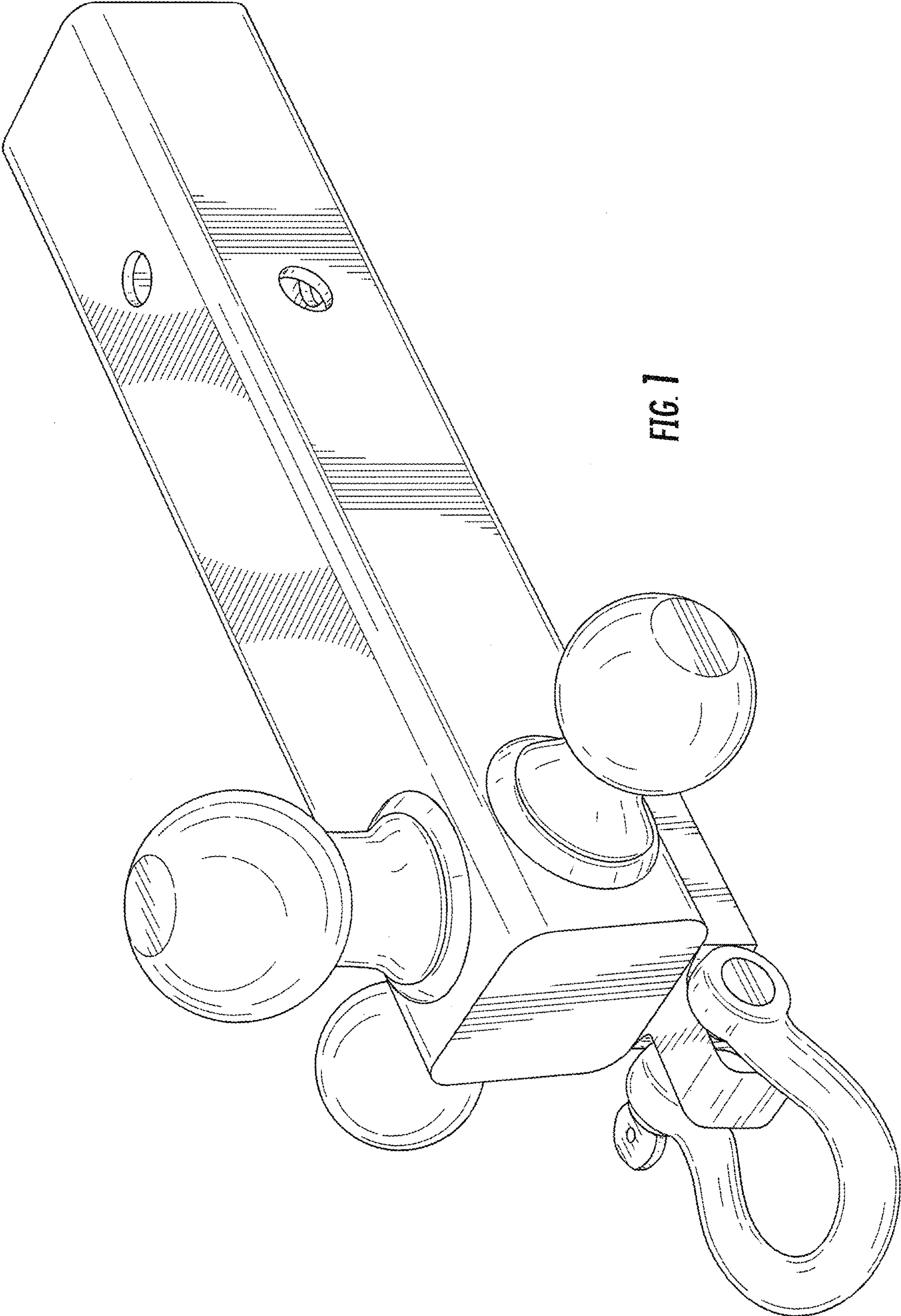


FIG. 1

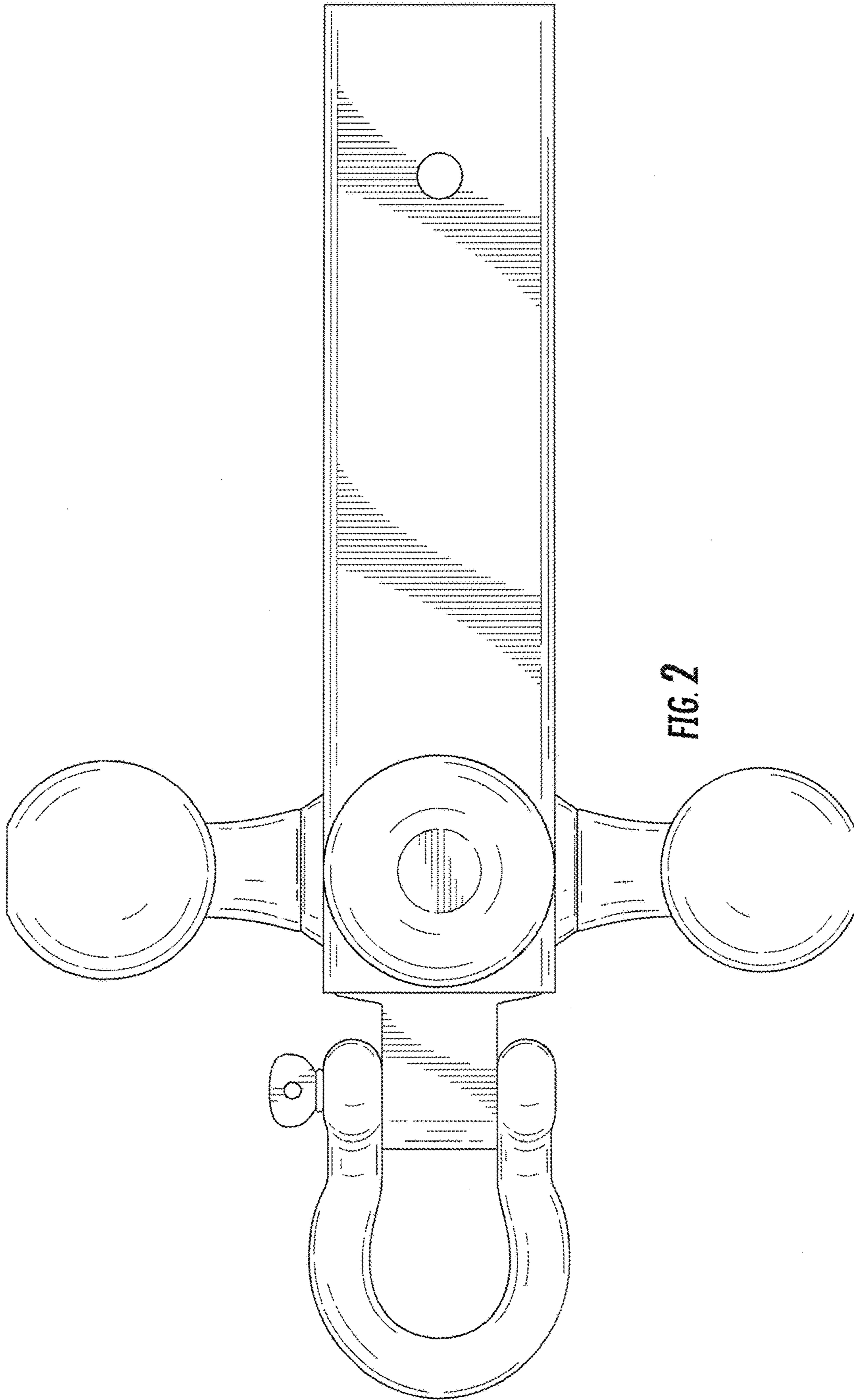


FIG. 2

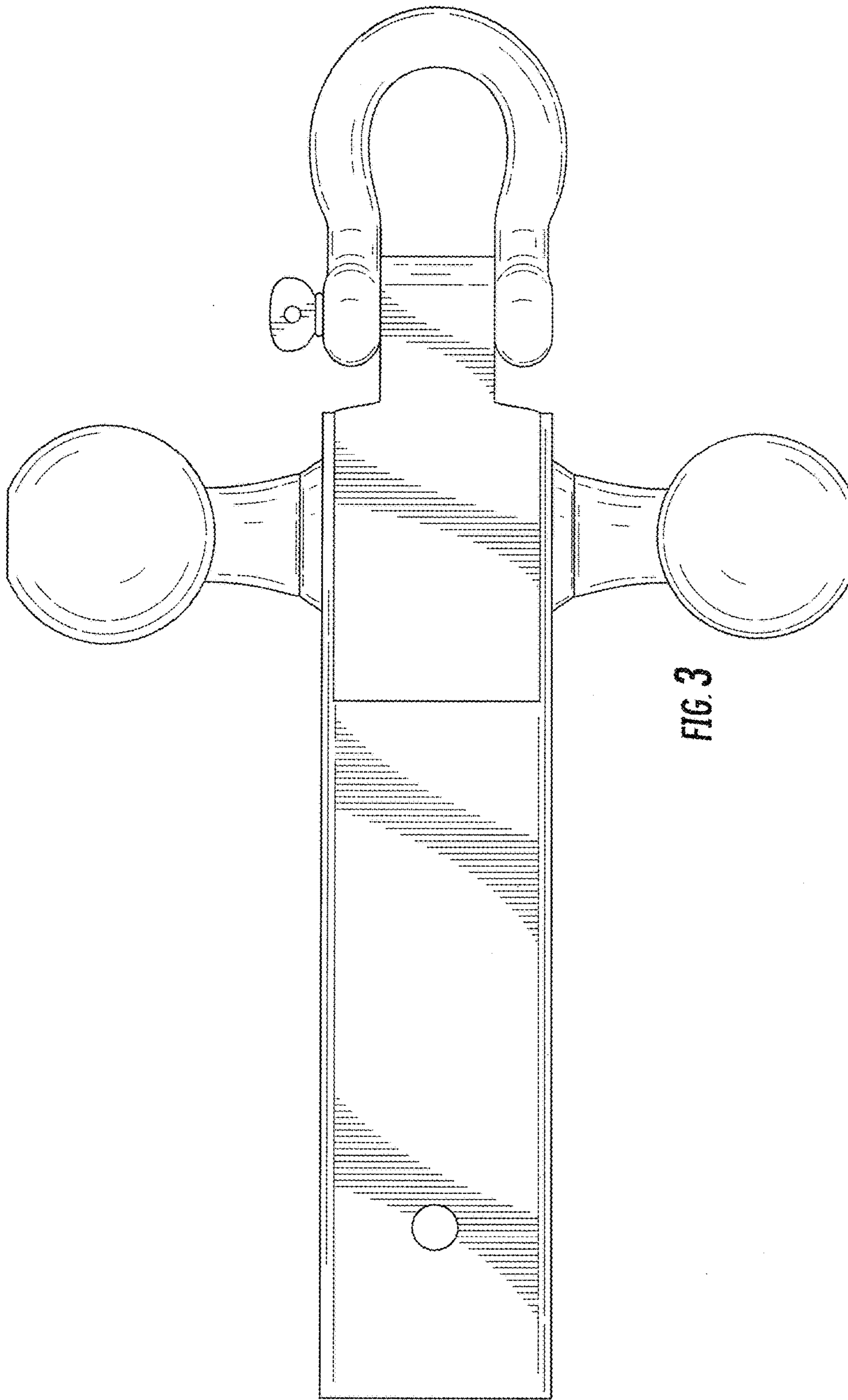


FIG. 3

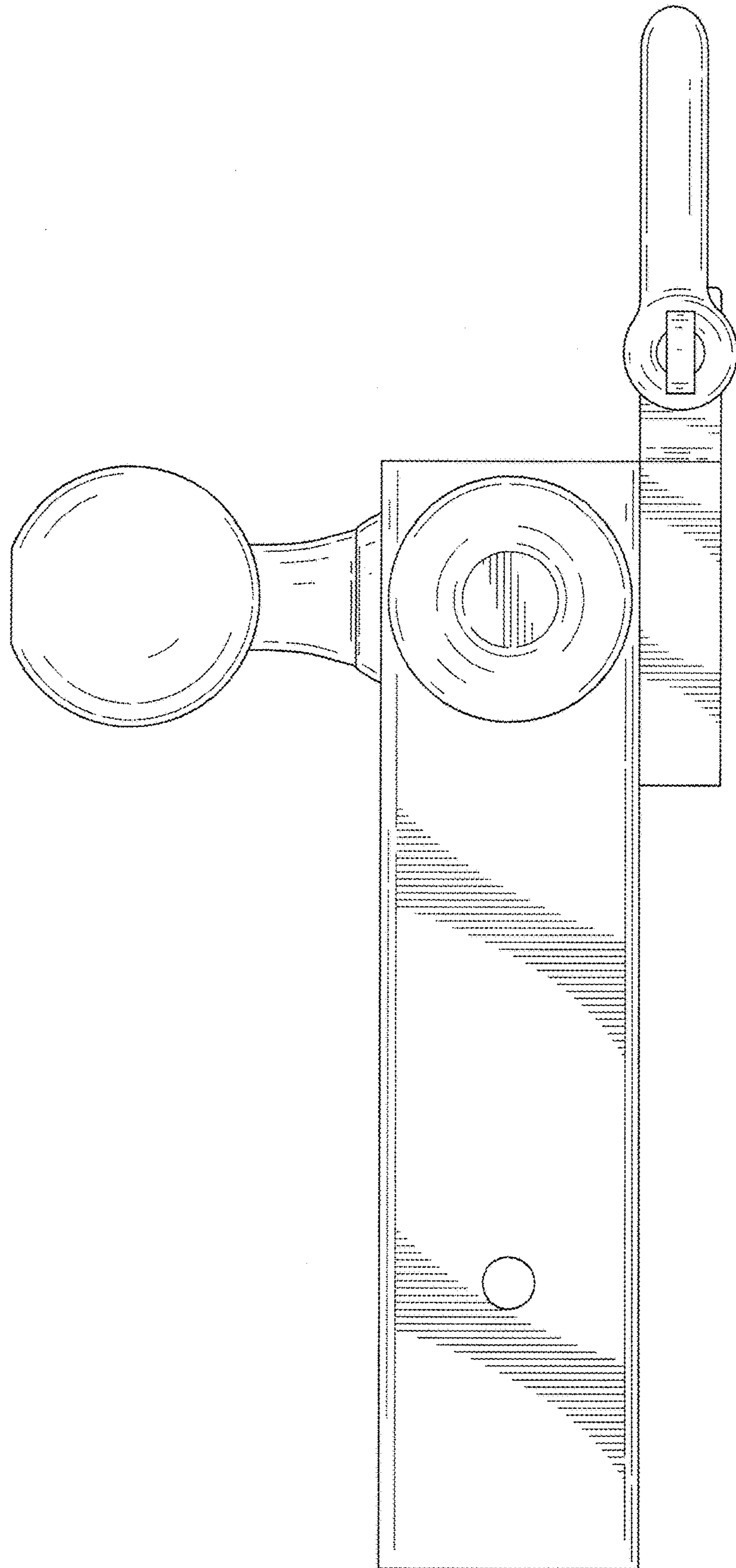


FIG. 4

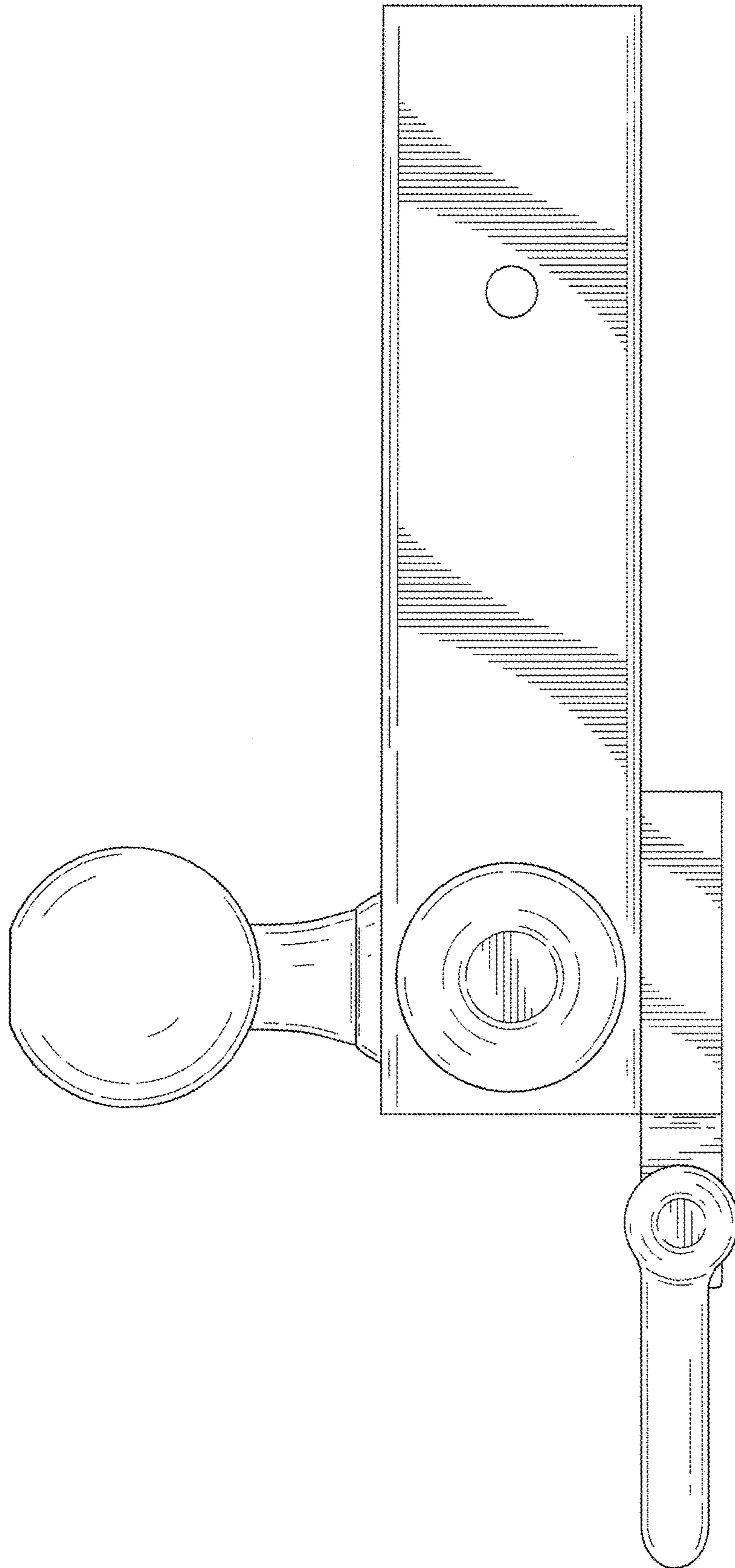


FIG. 5

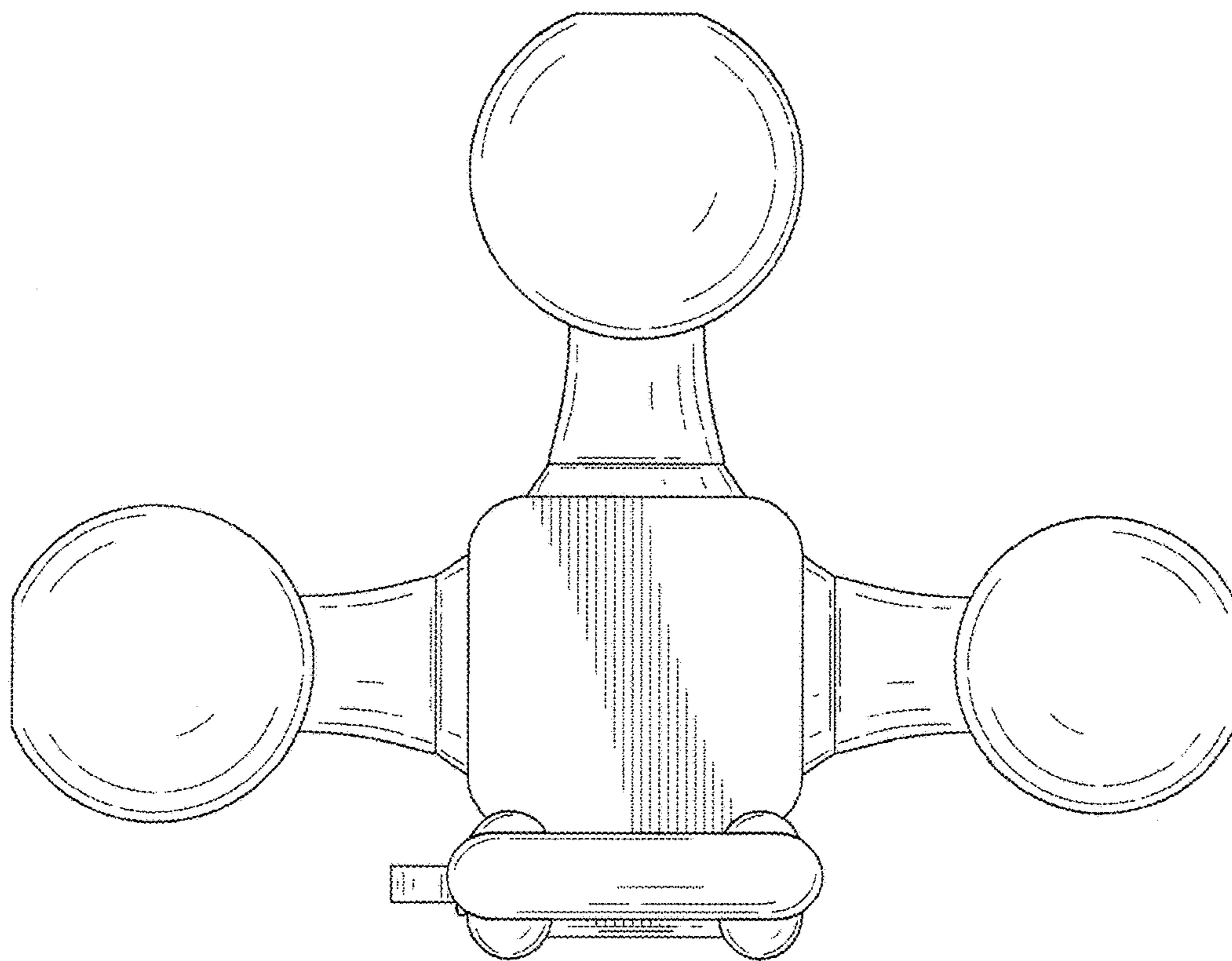


FIG. 6