



US00D854970S

(12) **United States Design Patent**
McCuskey

(10) **Patent No.:** **US D854,970 S**

(45) **Date of Patent:** **** Jul. 30, 2019**

- (54) **TRAILER HITCH ATTACHMENT**
- (71) Applicant: **Scott McCuskey**, Boardman, OH (US)
- (72) Inventor: **Scott McCuskey**, Boardman, OH (US)
- (**) Term: **15 Years**
- (21) Appl. No.: **29/623,682**
- (22) Filed: **Oct. 26, 2017**
- (51) **LOC (11) Cl.** **12-16**
- (52) **U.S. Cl.**
USPC **D12/162**
- (58) **Field of Classification Search**
CPC . B60D 1/60; B60D 1/065; B60D 1/00; B60D
1/06
See application file for complete search history.

D794,515 S *	8/2017	McCuskey	D12/162
D794,516 S *	8/2017	Siegel	D12/162
D795,756 S *	8/2017	McCuskey	B60D 1/06 D12/162
D797,008 S *	9/2017	Borkholder	B66C 1/34 D12/162
D832,156 S *	10/2018	Johns	D12/162
D832,749 S *	11/2018	McCuskey	B60D 1/06 D12/162
D834,464 S *	11/2018	Cincunegui	D12/162
D841,526 S *	2/2019	Siegel	D12/162

* cited by examiner

Primary Examiner — Katrina A Betton

(74) *Attorney, Agent, or Firm* — Harpman & Harpman

(57) **CLAIM**

The ornamental design for a trailer hitch attachment, as shown and described.

DESCRIPTION

FIG. 1 is a perspective front, right side and bottom view of the trailer hitch attachment.

FIG. 2 is a bottom plan view thereof.

FIG. 3 is a top plan view thereof.

FIG. 4 is a left side elevational view thereof.

FIG. 5 is a right side elevational view thereof; and,

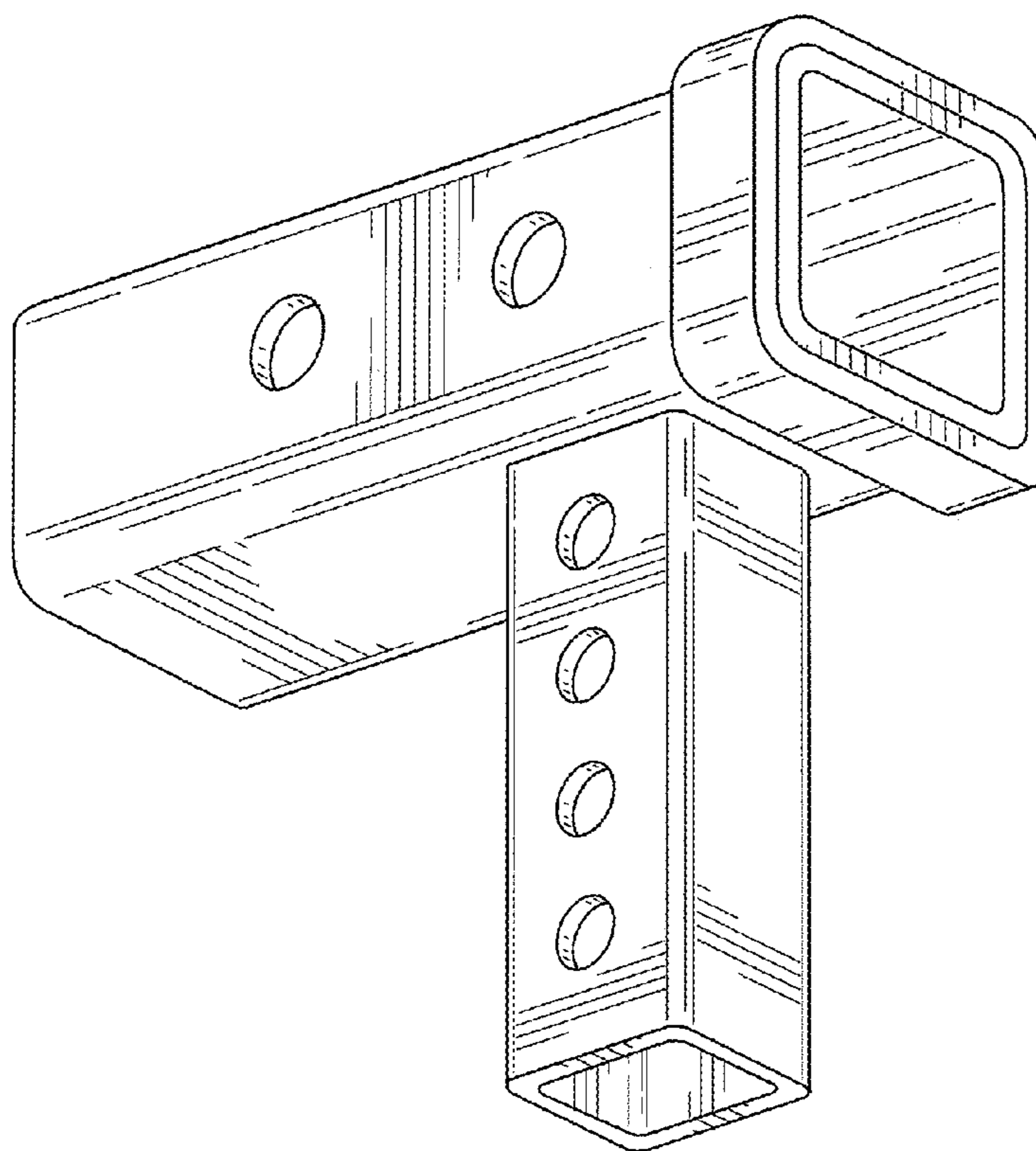
FIG. 6 is a rear elevational view thereof.

1 Claim, 3 Drawing Sheets

(56) **References Cited**

U.S. PATENT DOCUMENTS

D697,838 S *	1/2014	Borkholder	B60R 9/06 D12/162
D699,098 S *	2/2014	Fretz	D8/367
D727,803 S *	4/2015	Borkholder	F16B 45/02 D12/162
D729,703 S *	5/2015	Song	D12/162
D790,408 S *	6/2017	Wymore	D12/162



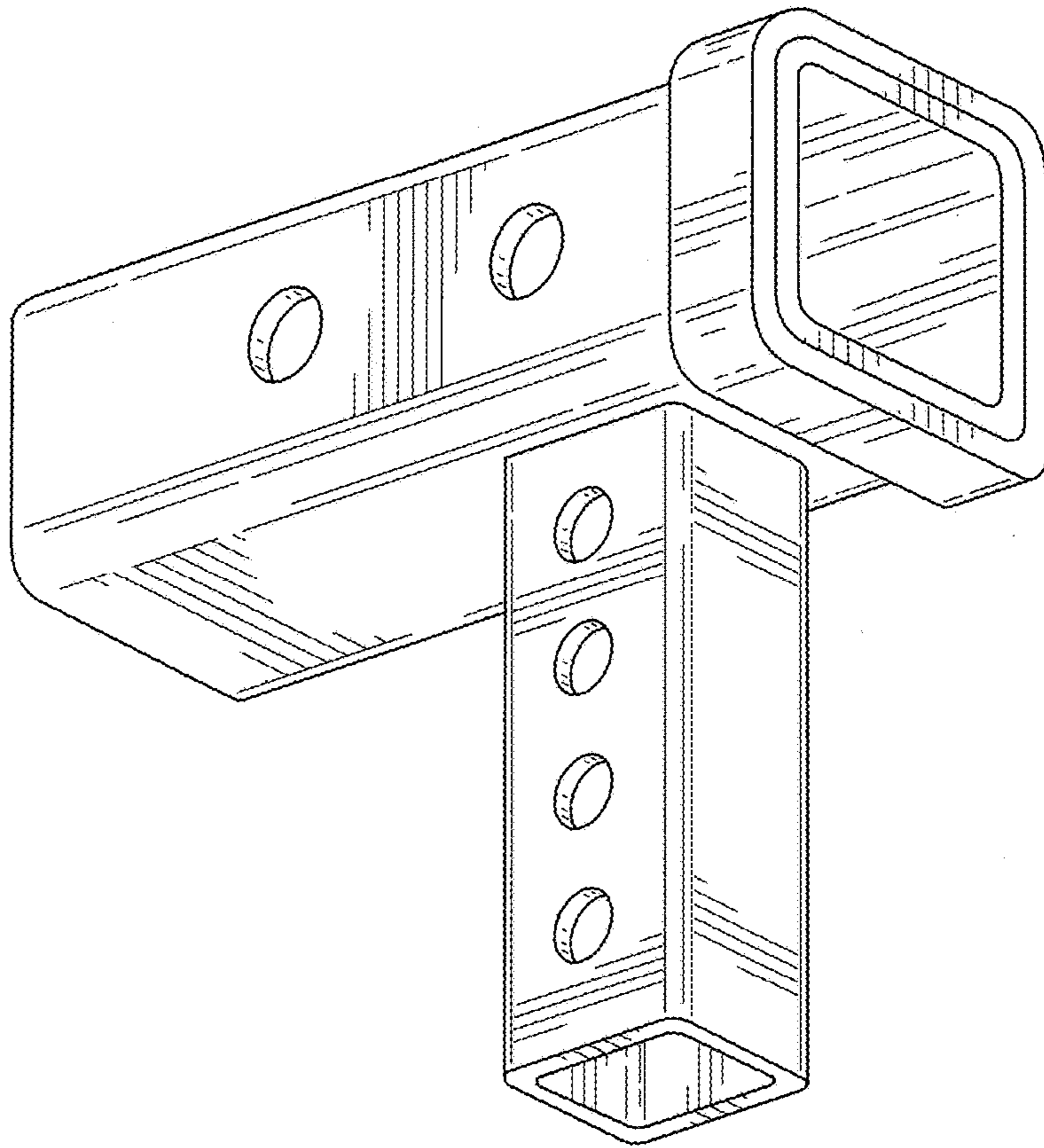


FIG. 1

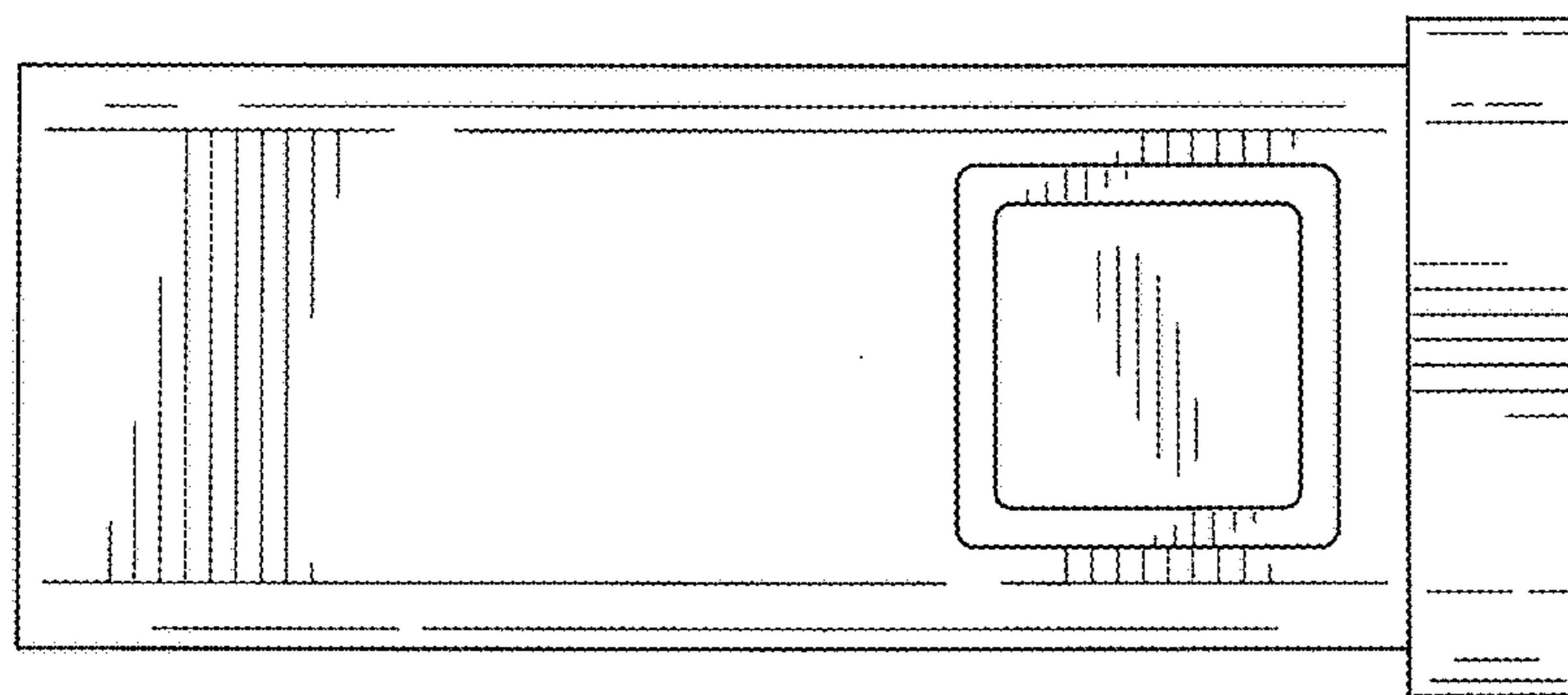


FIG. 2

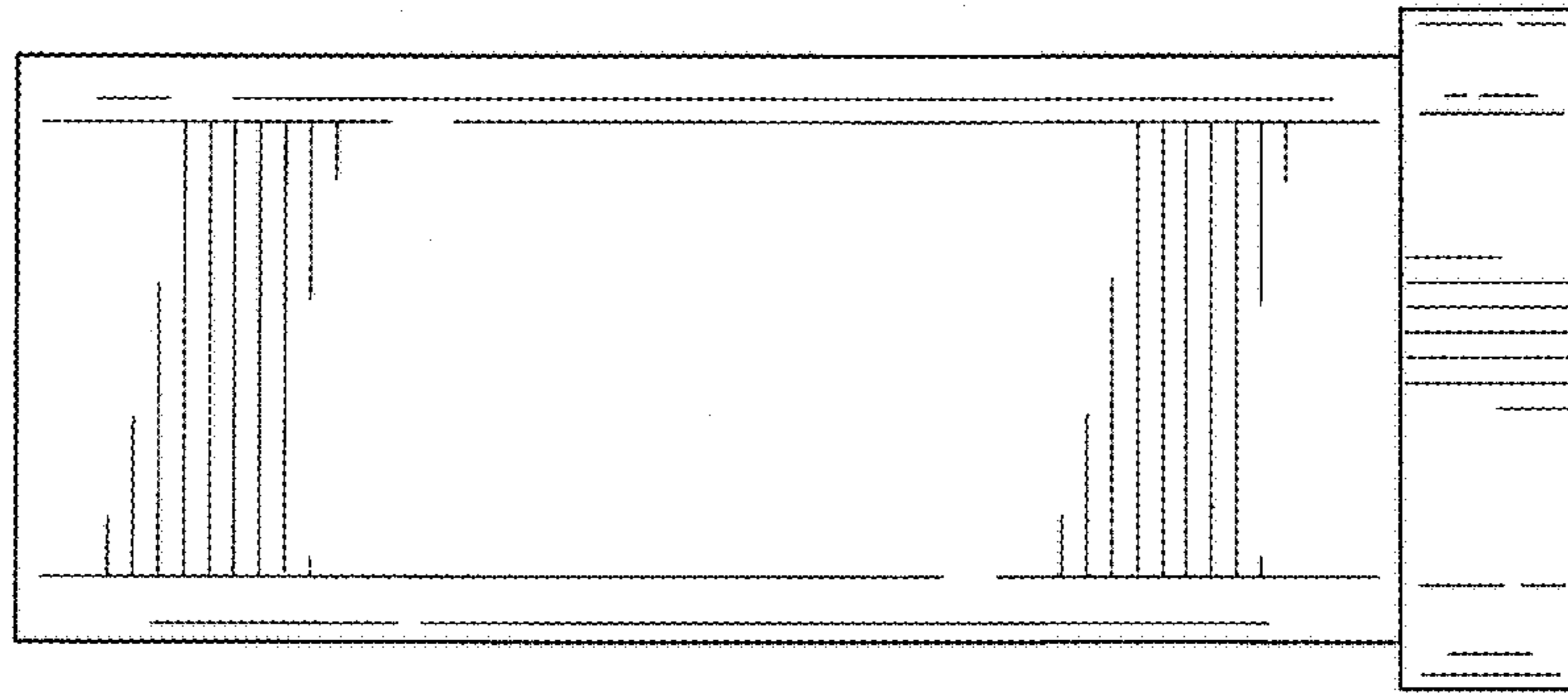


FIG. 3

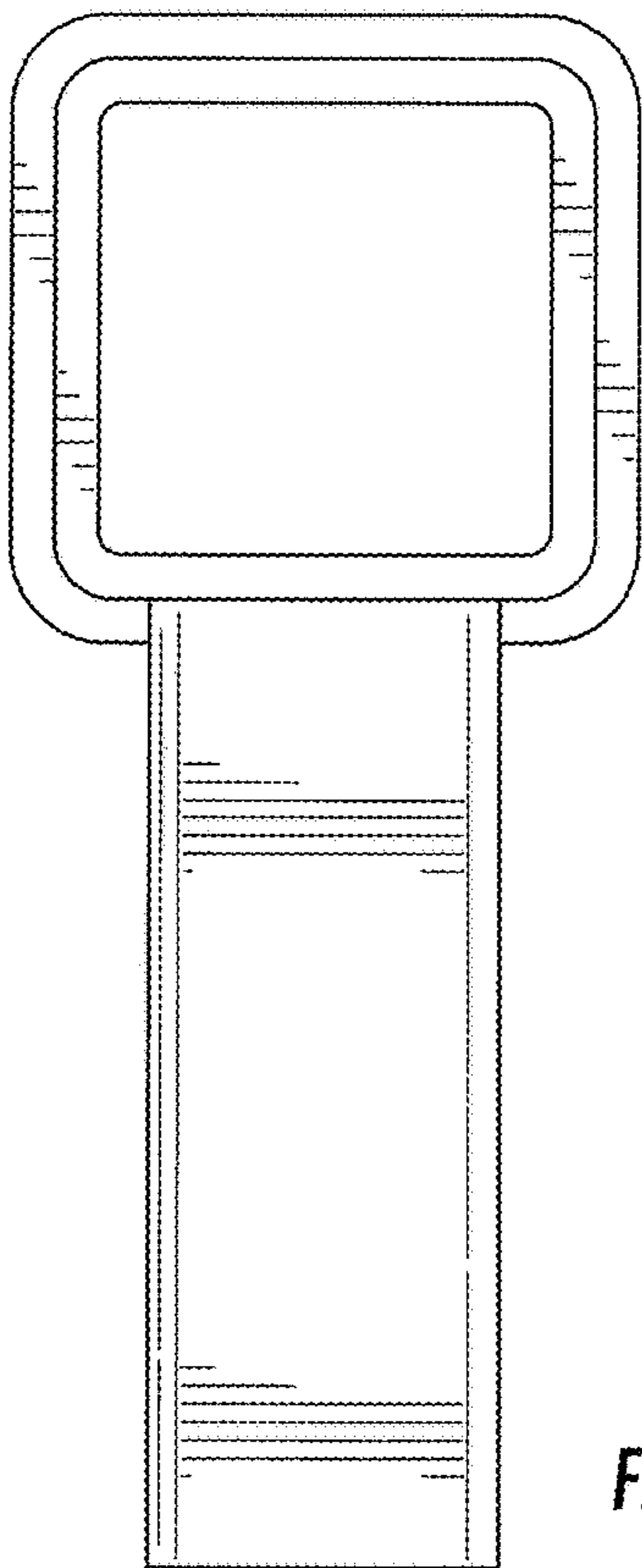


FIG. 4

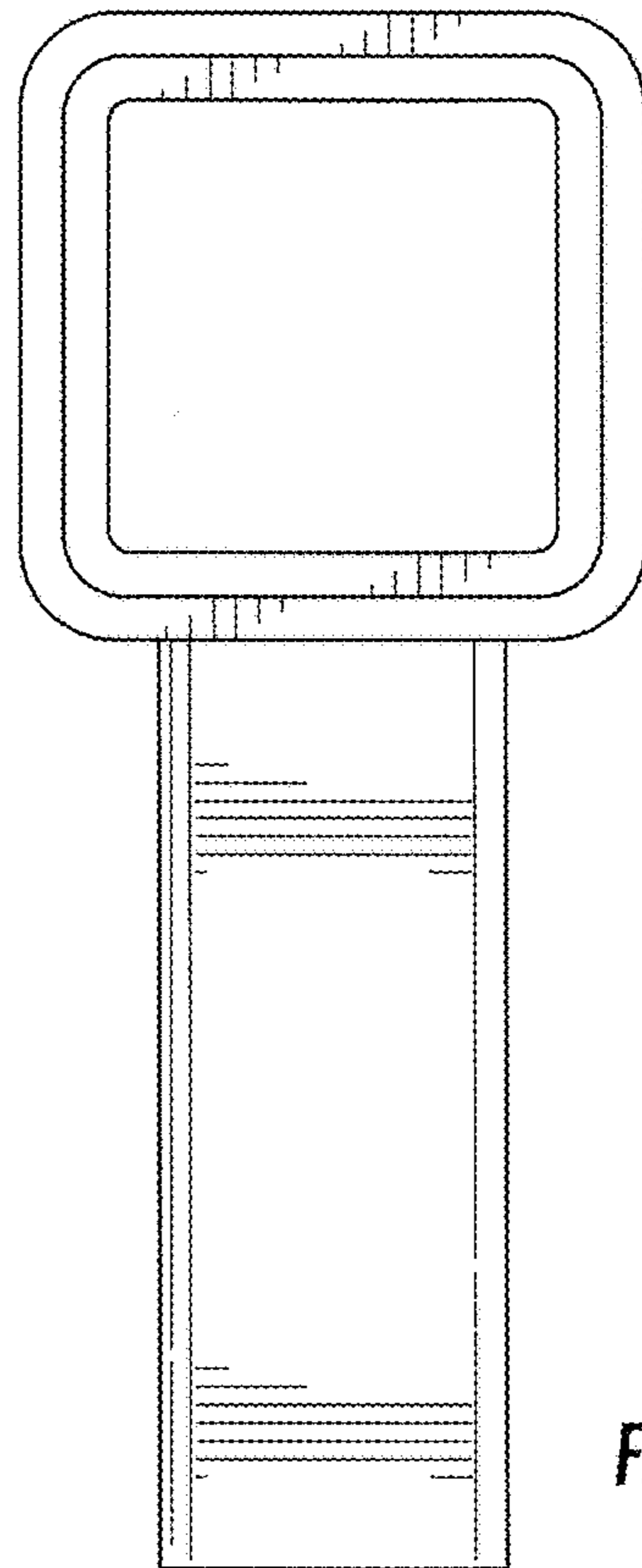


FIG. 5

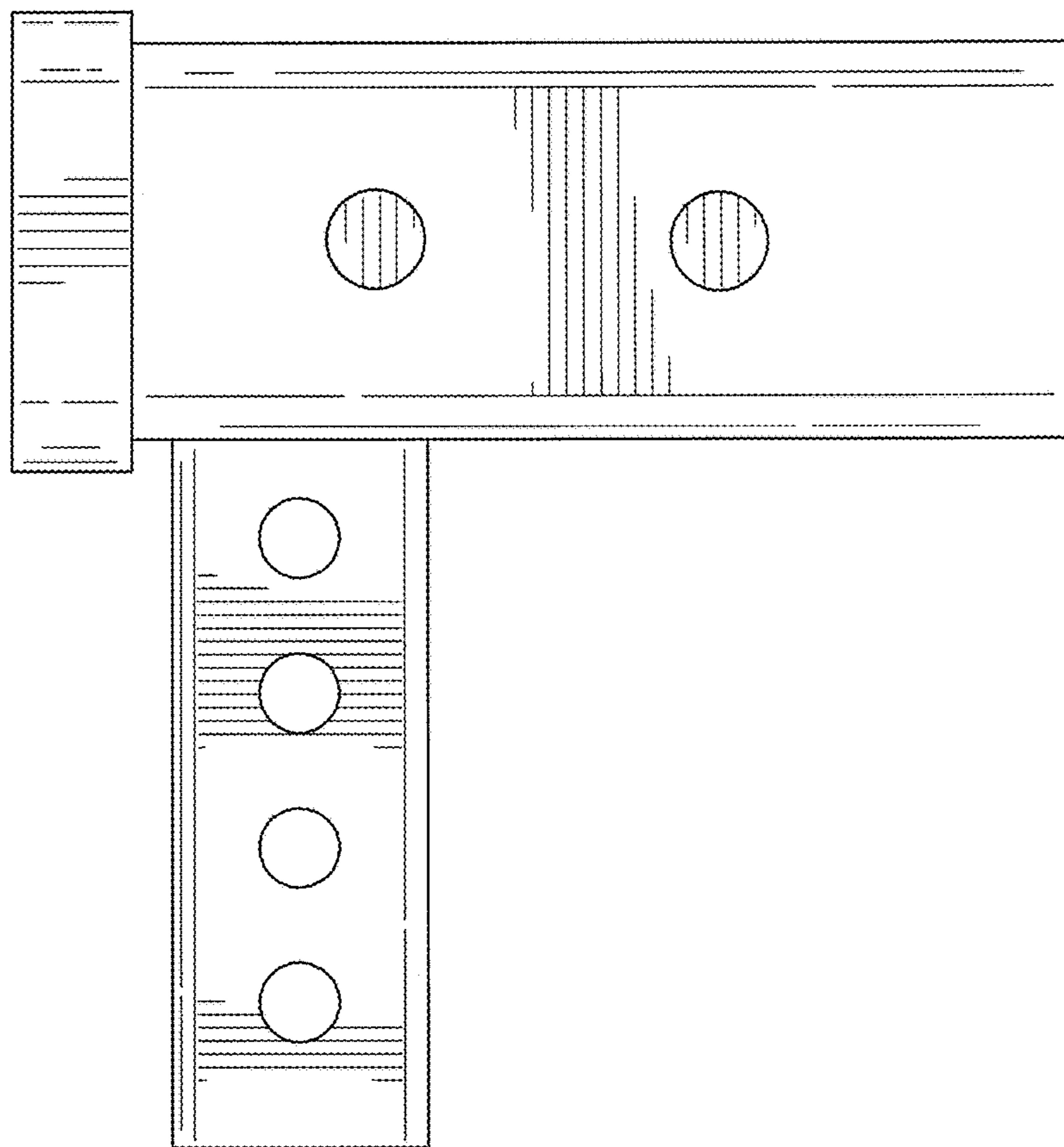


FIG. 6