

US00D854969S

(12) **United States Design Patent** (10) **Patent No.:** **US D854,969 S**
Gouin et al. (45) **Date of Patent:** **** Jul. 30, 2019**

(54) **BICYCLE**
(71) Applicant: **PBSC SOLUTIONS URBAINES INC.,** Longueuil (CA)
(72) Inventors: **Rémy Gouin,** Chicoutimi (CA); **Caroline Boily,** Laterrière (CA); **Michel Giroux,** Jonquière (CA); **Mikhael Simard,** St-Honoré (CA); **Bruno Gauthier,** Laterrière (CA); **Christophe Benoit-Riopel,** Chicoutimi (CA); **Jean-Paul Vaillancourt,** Montréal (CA)

D574,756 S * 8/2008 Masui D12/111
D594,787 S * 6/2009 Dallaire D12/111
D621,302 S * 8/2010 Tanaka D12/111
D625,228 S * 10/2010 Lockart D12/111
D634,673 S * 3/2011 Lockart D12/111
D730,779 S * 6/2015 Arbour D12/111
D745,836 S * 12/2015 Poster D12/111
D789,836 S * 6/2017 Gouin D12/111
2011/0115193 A1* 5/2011 Giroux B62H 5/006
280/281.1
2013/0255336 A1* 10/2013 Desai E05B 71/00
70/431
2014/0209400 A1* 7/2014 Yao B62M 6/45
180/167

(73) Assignee: **PBSC SOLUTIONS URBAINES INC.,** Longueuil, Quebec (CA)

(**) Term: **15 Years**

(21) Appl. No.: **29/632,859**

(22) Filed: **Jan. 10, 2018**

(51) **LOC (11) Cl.** **12-11**

(52) **U.S. Cl.**
USPC **D12/111**

(58) **Field of Classification Search**
USPC D12/111, 117, 406, 407
CPC . B62K 3/00; B62K 3/005; B62K 9/00; B62K 19/00; B62K 19/02; B62K 19/04; B62K 19/06; B62K 19/16
See application file for complete search history.

(56) **References Cited**

U.S. PATENT DOCUMENTS

D414,721 S * 10/1999 Nakamura D12/110
D465,438 S * 11/2002 Masui D12/111

* cited by examiner

Primary Examiner — Darlington Ly

(74) *Attorney, Agent, or Firm* — Merchant & Gould P.C.

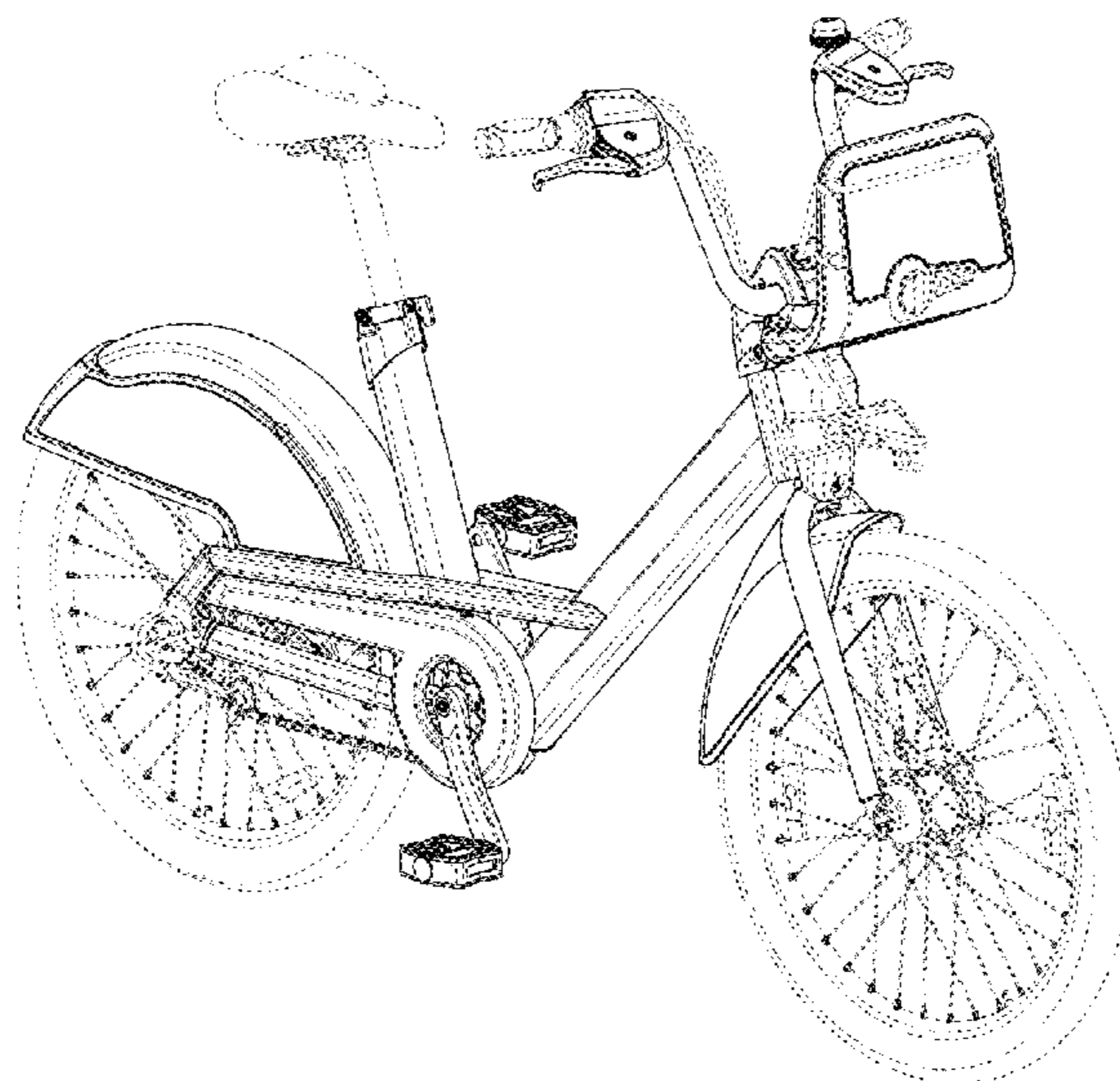
(57) **CLAIM**

The ornamental design for a bicycle, as shown and described.

DESCRIPTION

FIG. 1 is a front perspective view of a bicycle showing our new design;
FIG. 2 is a rear perspective view thereof;
FIG. 3 is a left side elevation view thereof;
FIG. 4 is a right side elevation view thereof;
FIG. 5 is a front elevation view thereof;
FIG. 6 is a rear elevation view thereof;
FIG. 7 is a top plan view thereof; and,
FIG. 8 is a bottom plan view thereof.
The broken lines in the drawings illustrate portions of the bicycle that form no part of the claimed design.

1 Claim, 7 Drawing Sheets



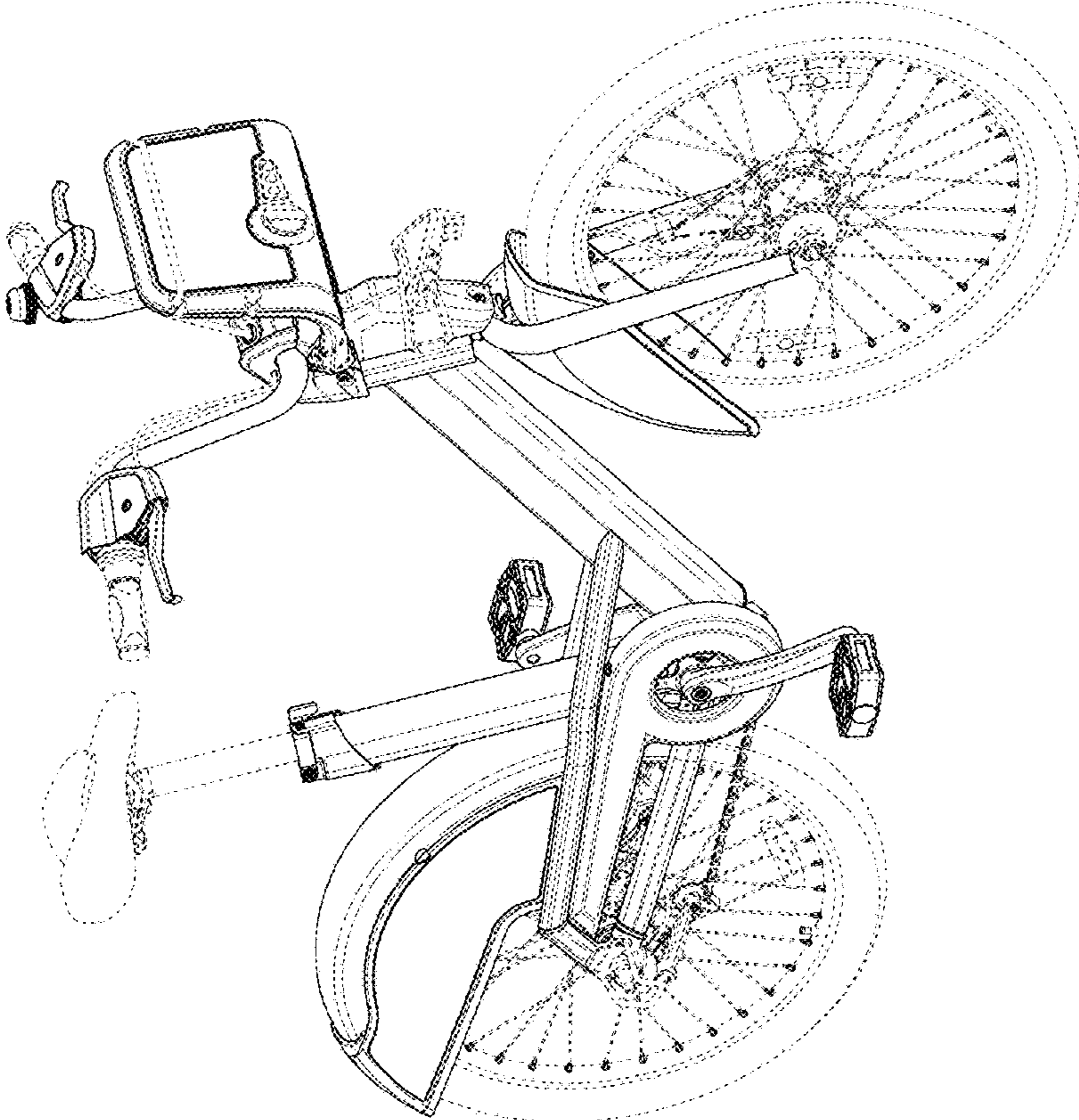


FIG. 1

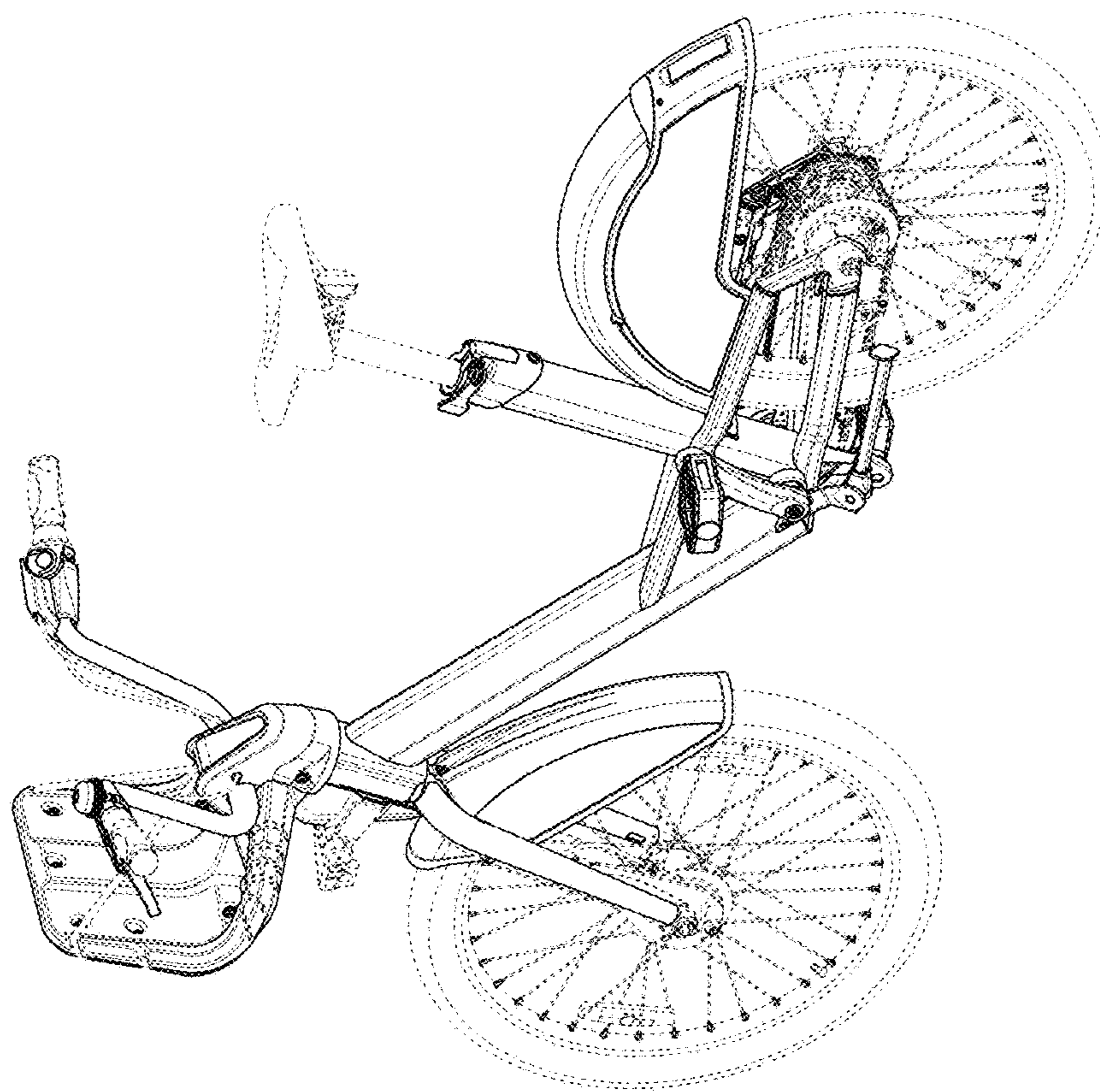


FIG. 2

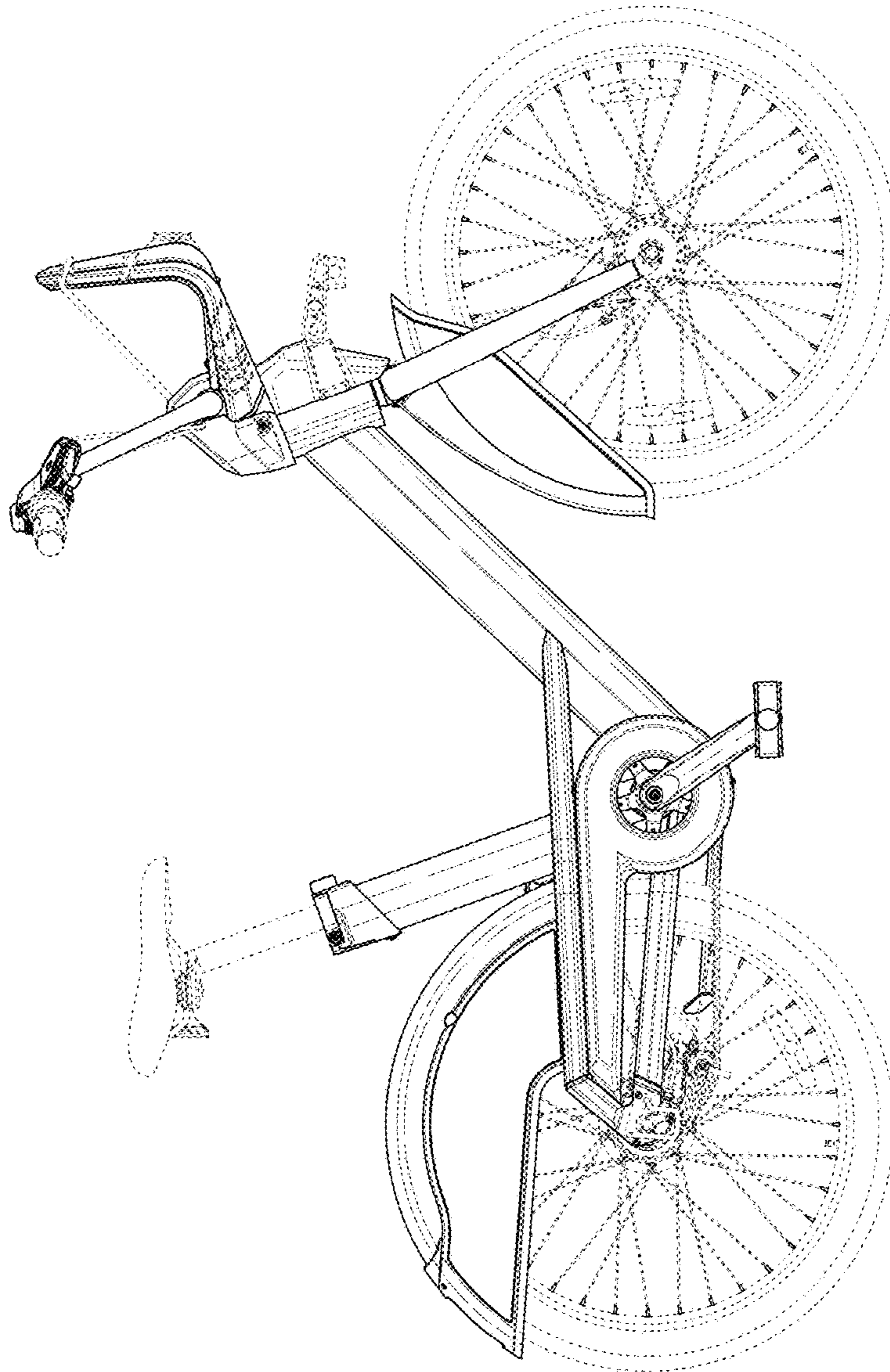


FIG. 3

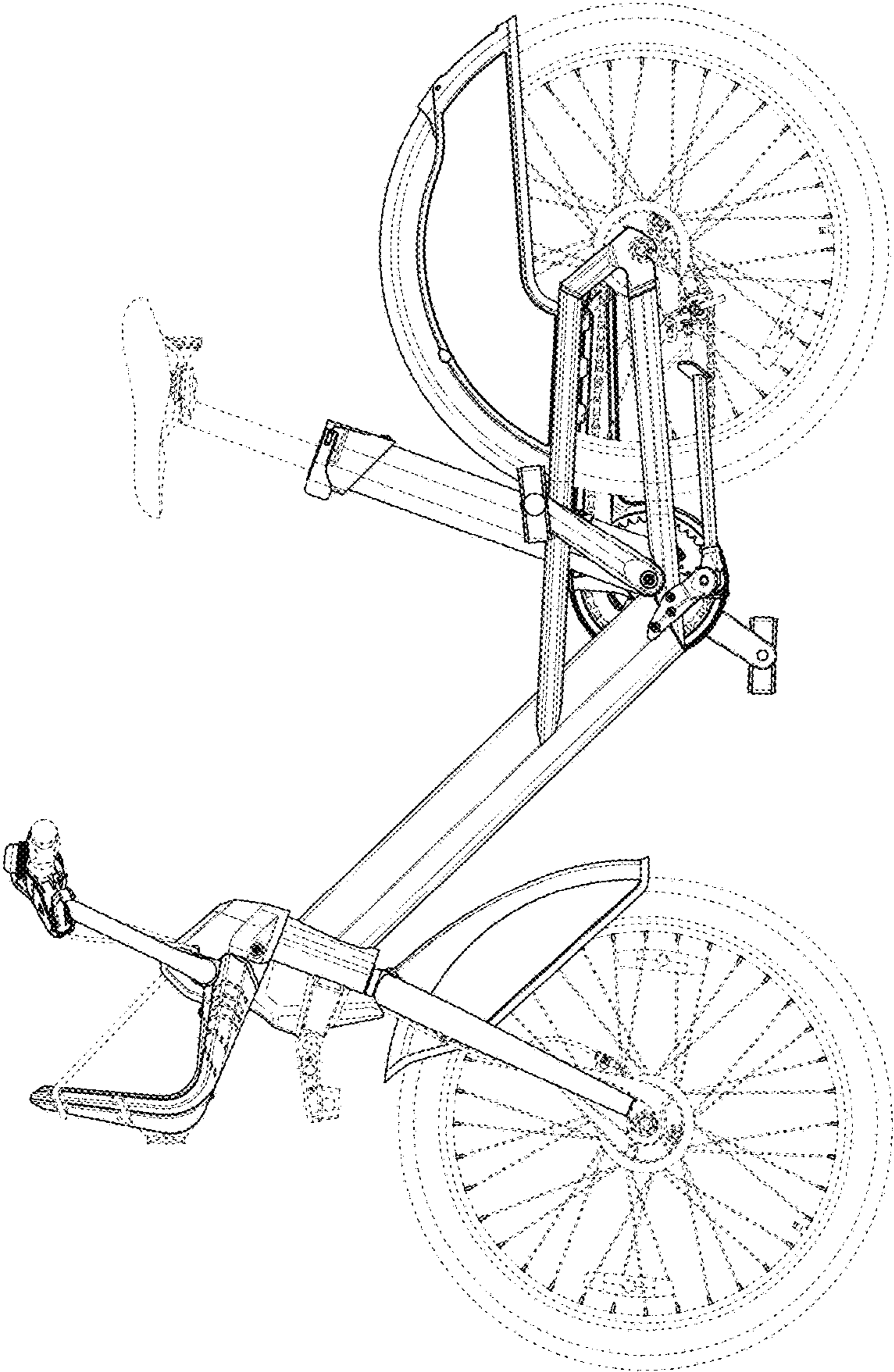


FIG. 4

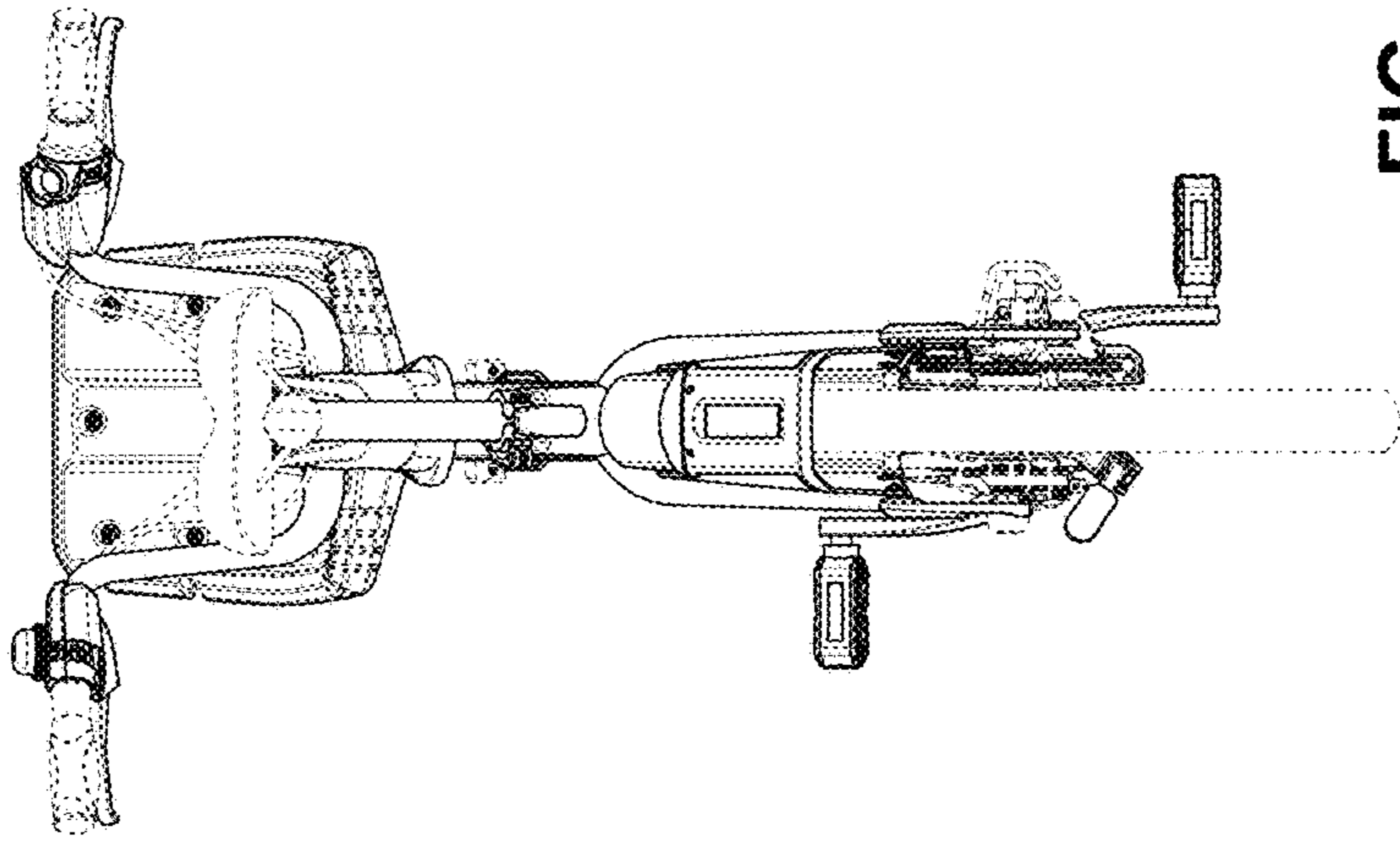


FIG. 6

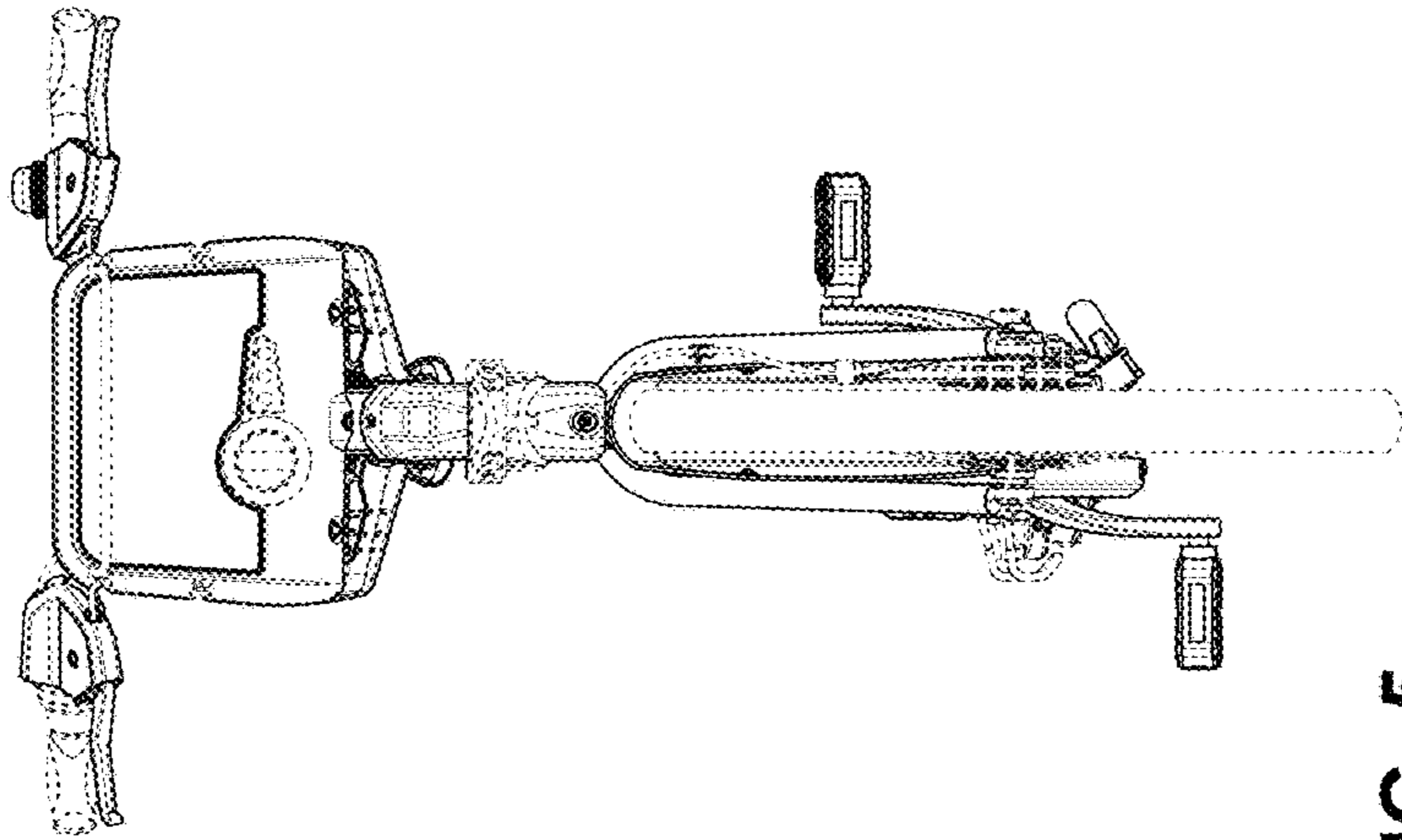


FIG. 5

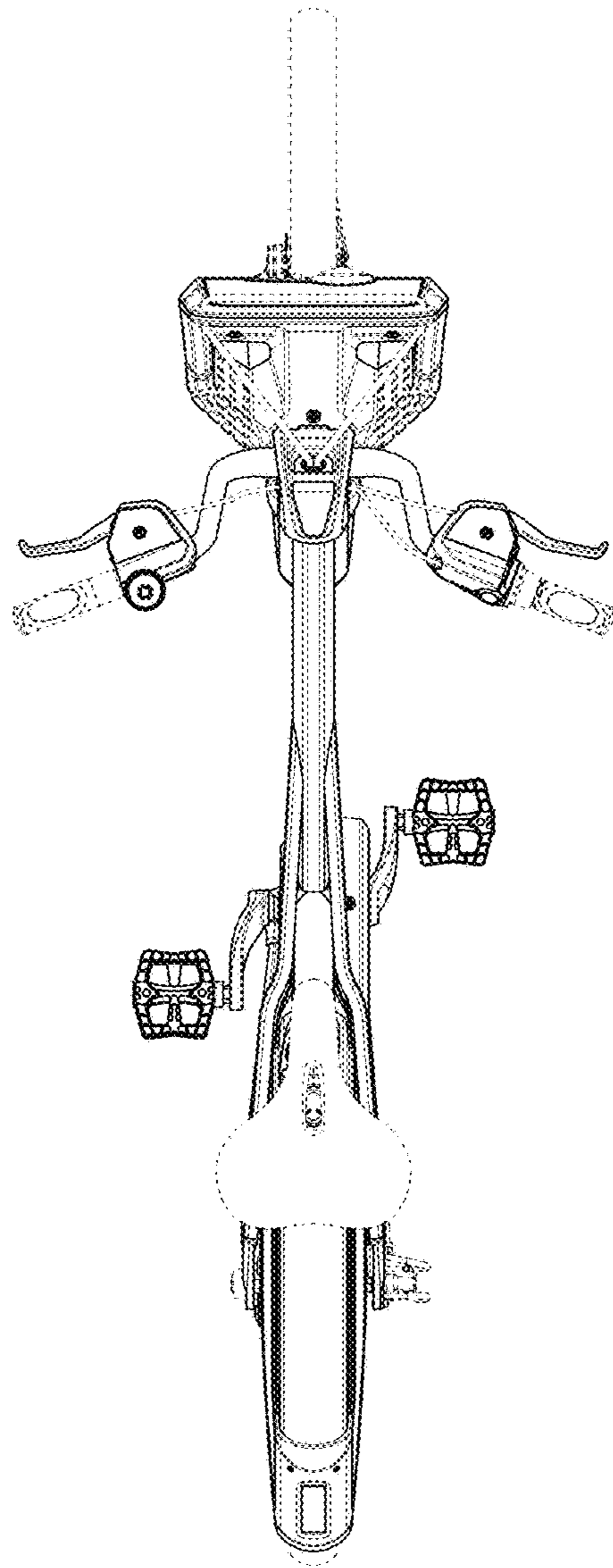


FIG. 7

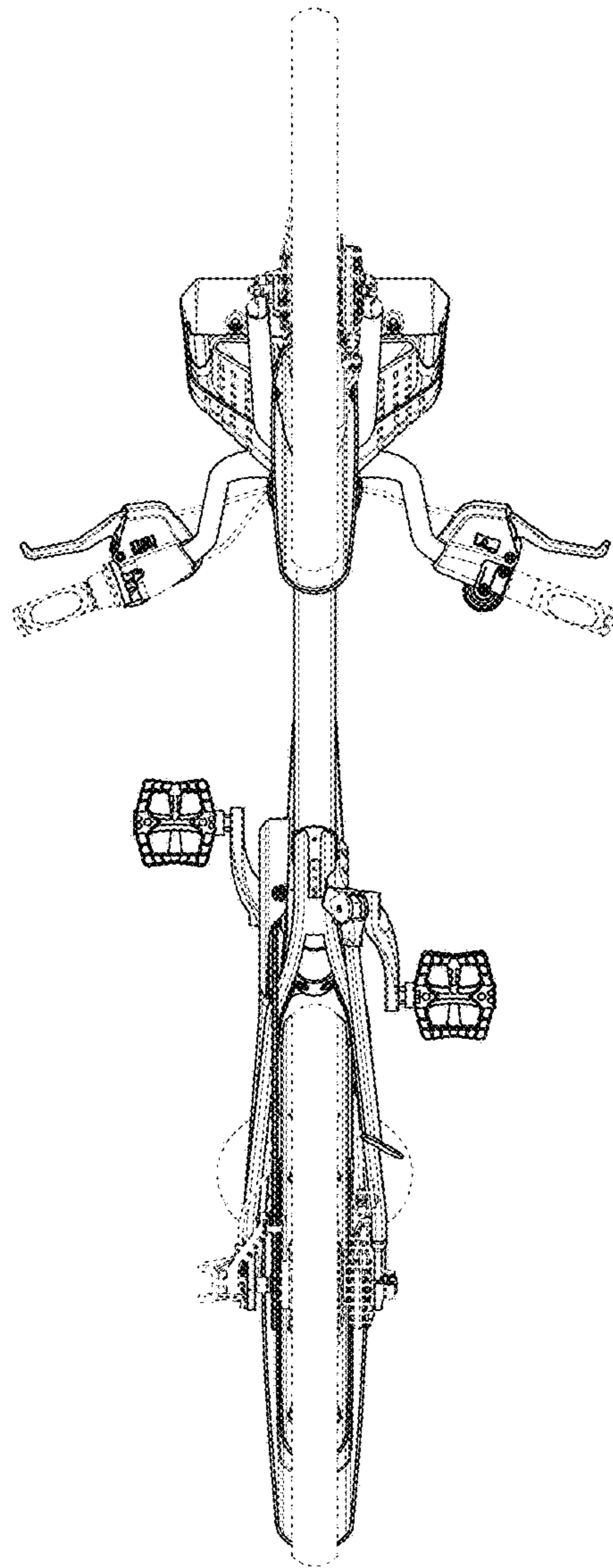


FIG. 8