



US00D854967S

(12) **United States Design Patent** (10) **Patent No.:** **US D854,967 S**  
**Yu** (45) **Date of Patent:** **\*\* Jul. 30, 2019**

(54) **UNMANNED AERIAL VEHICLE**  
(71) Applicants: **BEIJING JINGDONG SHANGKE INFORMATION TECHNOLOGY CO, LTD., Beijing (CN); BEIJING JINGDONG CENTURY TRADING CO., LTD., Beijing (CN)**  
(72) Inventor: **Lei Yu, Beijing (CN)**  
(73) Assignees: **BEIJING JINGDONG SHANGKE INFORMATION TECHNOLOGY CO., LTD. (CN); BEIJING JINGDONG CENTURY TRADING CO., LTD. (CN)**

D180,890 S \* 9/1957 Boyd ..... D12/16.1  
D190,004 S \* 3/1961 Doak ..... D12/330  
D239,274 S \* 3/1976 Snyder ..... D12/335  
D277,976 S \* 3/1985 Holloway ..... D12/16.1  
D292,393 S \* 10/1987 Rutan ..... D12/332  
D326,255 S \* 5/1992 Graham ..... D12/319  
D454,109 S \* 3/2002 Moshier ..... D12/319  
D461,159 S \* 8/2002 Miralles ..... D12/319  
6,886,776 B2 \* 5/2005 Wagner ..... B64C 3/56  
244/12.1  
D543,248 S \* 5/2007 Winston ..... D21/450  
D616,804 S \* 6/2010 Manley ..... D12/319  
D634,257 S \* 3/2011 Alexander ..... D12/326  
D642,968 S \* 8/2011 Zhao ..... D12/344  
D649,506 S \* 11/2011 Morelli ..... D12/319  
D651,156 S \* 12/2011 Gundlach ..... D12/319  
D665,331 S \* 8/2012 Sands ..... D12/319

(Continued)

(\*\*) Term: **15 Years**  
(21) Appl. No.: **29/601,532**  
(22) Filed: **Apr. 24, 2017**

(30) **Foreign Application Priority Data**  
Oct. 25, 2016 (CN) ..... 2016 3 0522478  
(51) **LOC (11) Cl.** ..... **12-01**  
(52) **U.S. Cl.**  
USPC ..... **D12/16.1; D12/328**  
(58) **Field of Classification Search**  
USPC ..... D12/16.1, 319, 325, 326, 327, 328,  
D12/329-345; D21/436, 441, 442, 443,  
D21/444, 445-453  
CPC ..... B64C 39/024; B64C 2201/141; B64C  
2201/00; B64C 2201/108  
See application file for complete search history.

(56) **References Cited**  
**U.S. PATENT DOCUMENTS**  
D134,426 S \* 11/1942 McDonnell ..... 244/13  
D139,438 S \* 11/1944 Hughes et al. .... 244/13  
D140,113 S \* 1/1945 Biasell ..... 244/13

**OTHER PUBLICATIONS**

JD Drone. By Darrell Etherington. dated Sep. 25, 2017. found online Feb. 7, 2018. <https://techcrunch.com/2017/09/25/jd-x-taps-nvidia-for-drone-deliveries-rescue-and-agricultural-use/>.\*

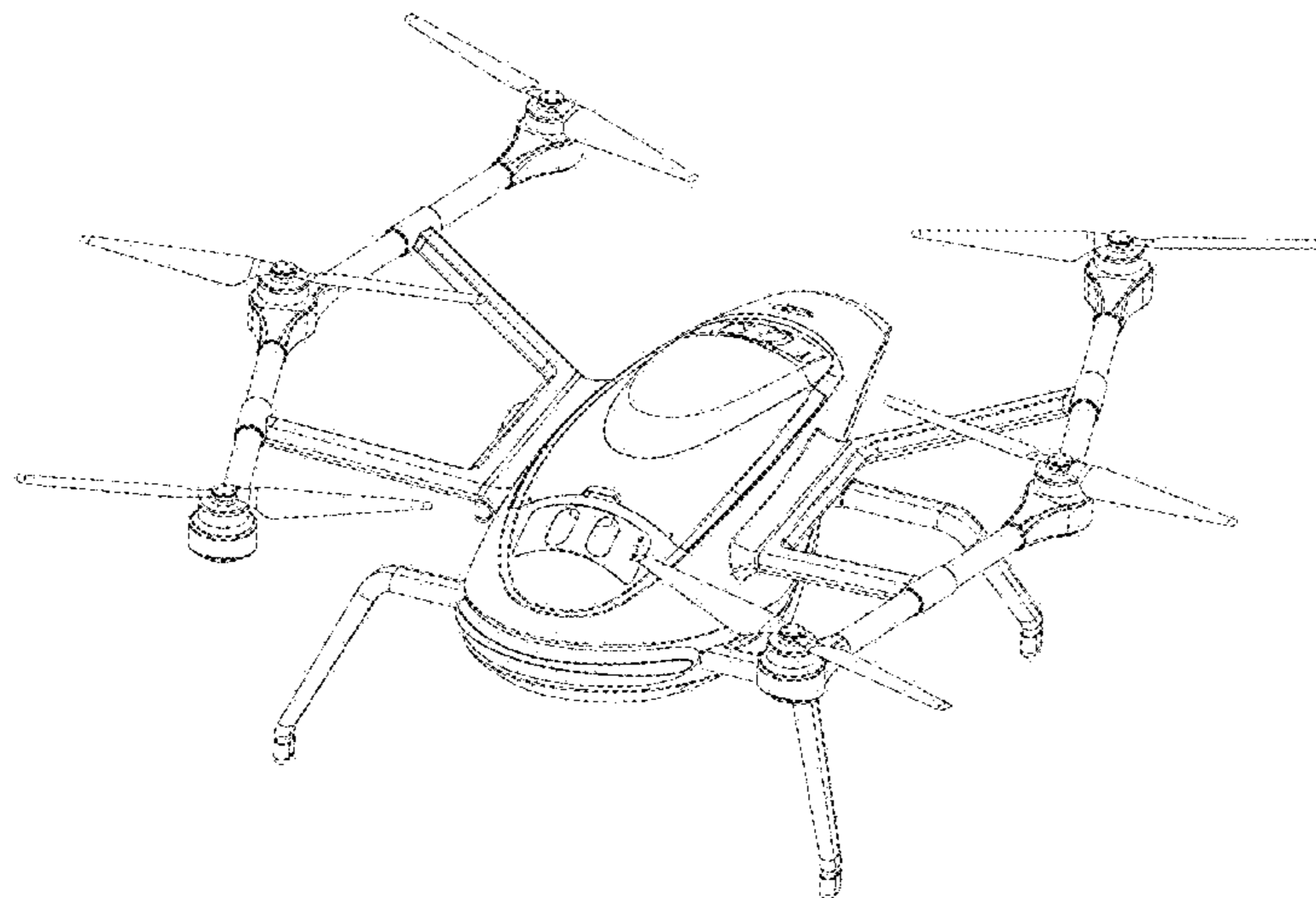
*Primary Examiner* — Marissa J Cash  
(74) *Attorney, Agent, or Firm* — Saidman DesignLaw Group, LLC

(57) **CLAIM**  
The ornamental design for an unmanned aerial vehicle, as shown and described.

**DESCRIPTION**

FIG. 1 is a perspective view of an unmanned aerial vehicle showing the new design;  
FIG. 2 is a front view thereof;  
FIG. 3 is a rear view thereof;  
FIG. 4 is a left side view thereof;  
FIG. 5 is a right side view thereof;  
FIG. 6 is a top plan view thereof; and,  
FIG. 7 is a bottom plan view thereof.

**1 Claim, 7 Drawing Sheets**



(56)

**References Cited**

## U.S. PATENT DOCUMENTS

D691,547 S \* 10/2013 Hall ..... D12/319  
D708,563 S \* 7/2014 Colten ..... D12/319  
9,061,763 B1 \* 6/2015 Christensen ..... A63H 17/28  
9,120,560 B1 \* 9/2015 Armer ..... B64C 29/0008  
D741,247 S \* 10/2015 Brody ..... D12/326  
D743,868 S \* 11/2015 Cummings ..... D12/328  
9,475,579 B2 \* 10/2016 Fredericks ..... B64C 25/52  
9,505,484 B1 \* 11/2016 Al-Sabah ..... B64C 3/38  
9,682,774 B2 \* 6/2017 Paduano ..... B64C 27/52  
D799,402 S \* 10/2017 Cummings ..... D12/327  
2007/0018035 A1 \* 1/2007 Saiz ..... B64C 15/00  
244/12.3  
2012/0012692 A1 \* 1/2012 Kroo ..... B64C 29/0025  
244/6  
2012/0043413 A1 \* 2/2012 Smith ..... B64C 29/0033  
244/12.4  
2014/0339372 A1 \* 11/2014 Dekel ..... B64C 29/0033  
244/7 R  
2015/0246727 A1 \* 9/2015 Masticola ..... B64C 39/024  
701/2  
2016/0144954 A1 \* 5/2016 Daigle ..... B64C 39/024  
244/17.23  
2016/0337562 A1 \* 11/2016 Kang ..... H04N 5/2254  
2016/0362173 A1 \* 12/2016 Marion ..... B64C 39/024  
2017/0029099 A1 \* 2/2017 Chen ..... B64C 27/08  
2017/0133771 A1 \* 5/2017 Xiao ..... H01R 4/38  
2017/0144756 A1 \* 5/2017 Rastgaar Aagaah .....  
B64C 39/024  
2017/0158320 A1 \* 6/2017 Bosch ..... B64C 27/52

\* cited by examiner

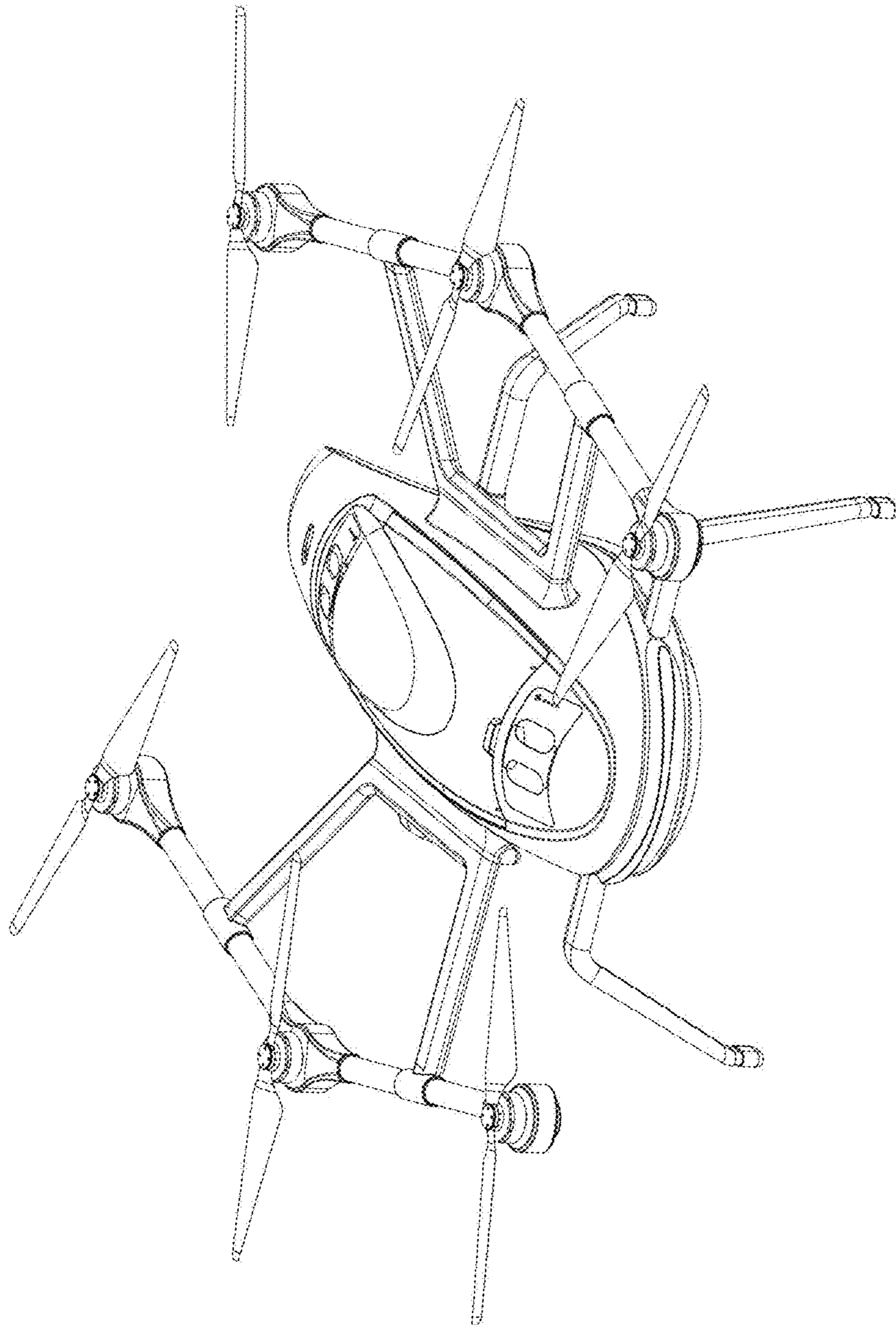


FIG. 1

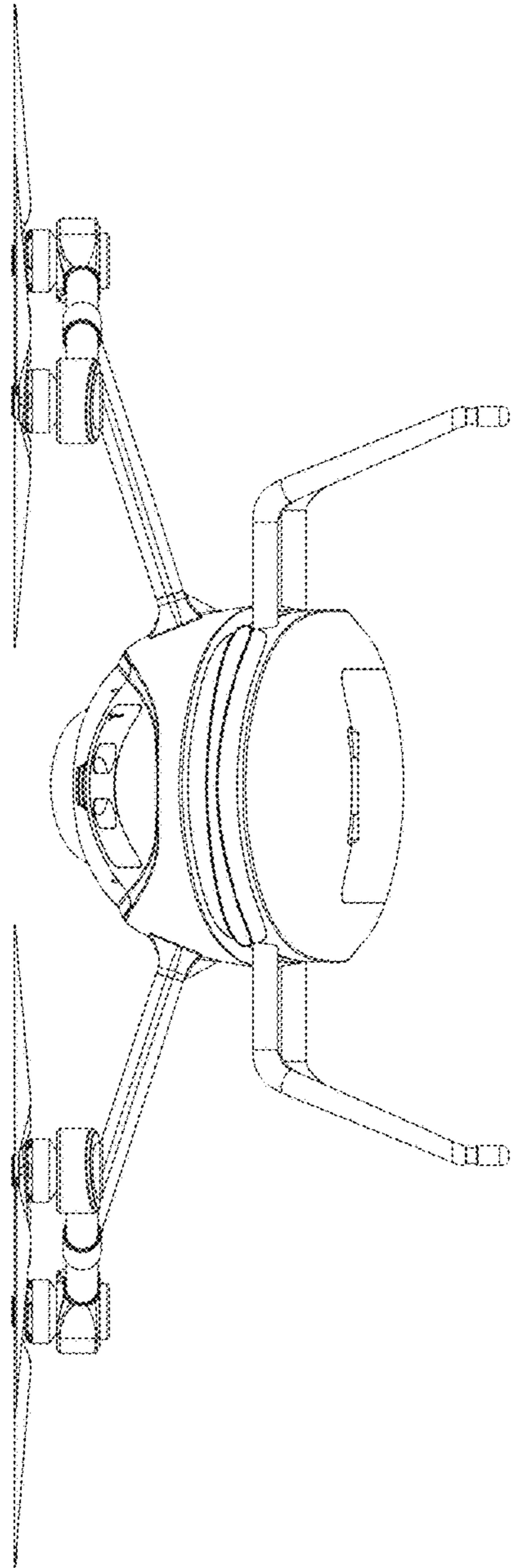


FIG. 2

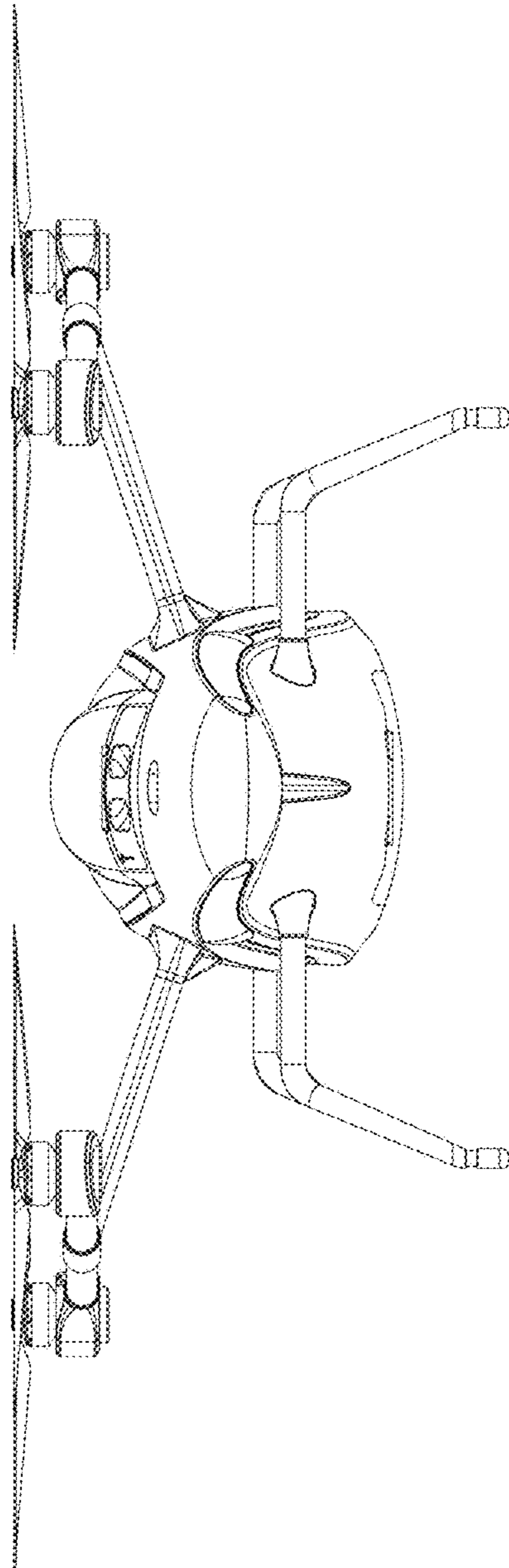


FIG. 3

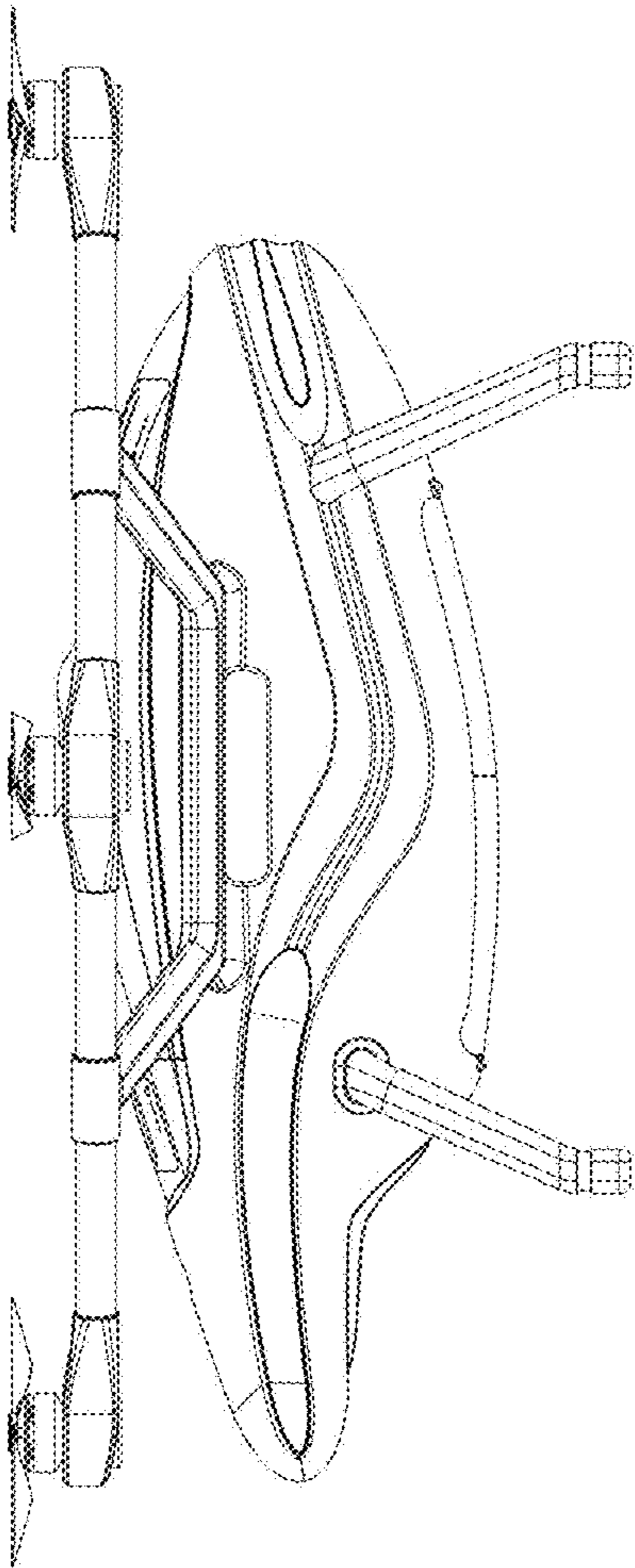


FIG. 4

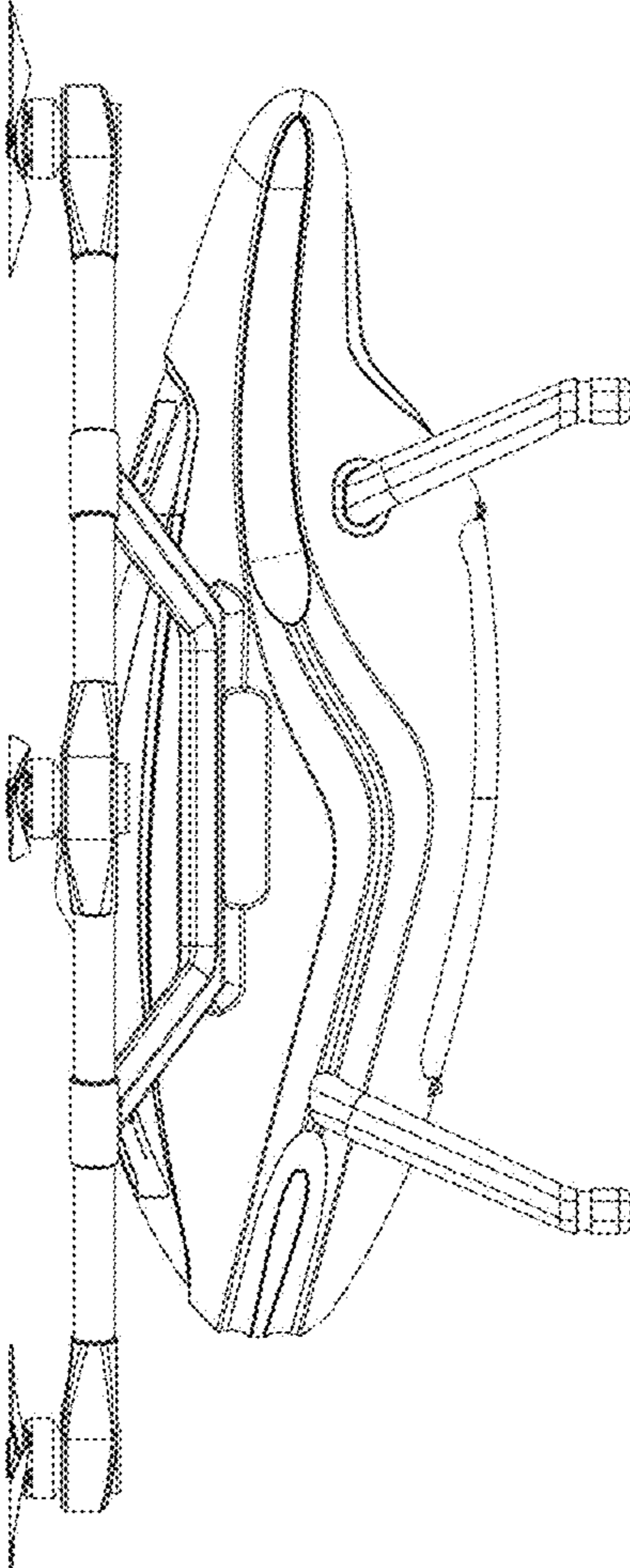


FIG. 5

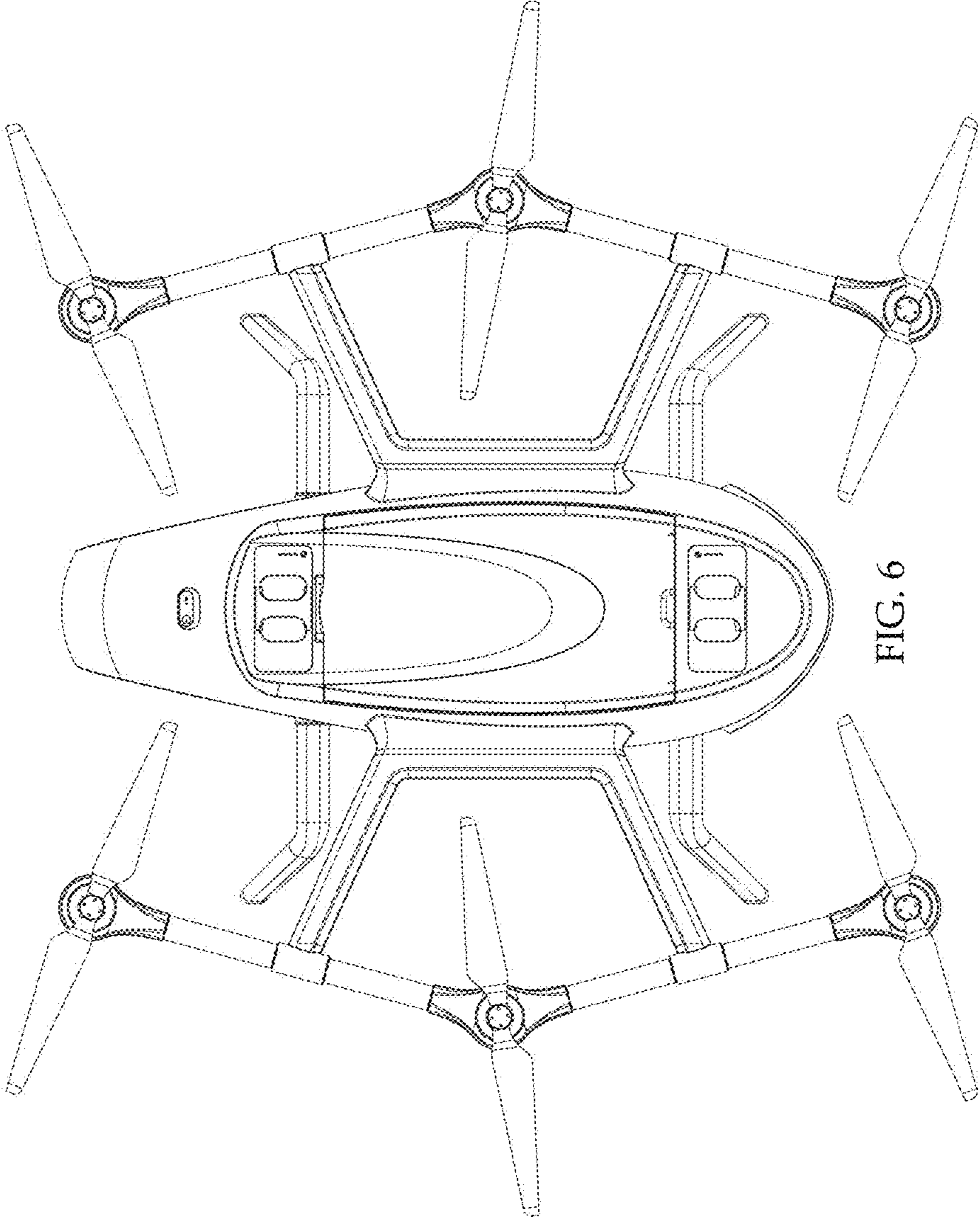


FIG. 6



