



US00D854962S

(12) **United States Design Patent** (10) **Patent No.:** **US D854,962 S**  
**Barnes** (45) **Date of Patent:** **\*\* Jul. 30, 2019**

(54) **CROSS PENDANT**  
(71) Applicant: **Lesia Barnes**, Hazel Crest, IL (US)  
(72) Inventor: **Lesia Barnes**, Hazel Crest, IL (US)  
(\*\*) Term: **15 Years**  
(21) Appl. No.: **29/617,300**  
(22) Filed: **Sep. 13, 2017**  
(51) **LOC (11) Cl.** ..... **11-01**  
(52) **U.S. Cl.**  
USPC ..... **D11/81**  
(58) **Field of Classification Search**  
USPC ..... D11/1-3, 7, 8, 79-86, 91, 92, 96, 99;  
D99/27  
CPC ..... A44C 1/00; A44C 15/0015; A44C 15/002;  
A44C 15/0025; A44C 17/02; A44C  
17/0258; A44C 17/0266; A44C 17/0275;  
A44C 17/0283; A44C 17/0291; A44C  
23/00; A44C 25/00; A44C 25/005; A44C  
7/00  
See application file for complete search history.

(56) **References Cited**  
U.S. PATENT DOCUMENTS  
D10,880 S \* 10/1878 Clark ..... D11/81  
D39,194 S \* 3/1908 Persic ..... D11/116  
D395,843 S \* 7/1998 D'Ambrosio ..... D11/83  
D396,929 S \* 8/1998 Vinson ..... D11/96  
D480,010 S \* 9/2003 Manning ..... D11/83  
D480,322 S \* 10/2003 Manning ..... D11/82  
D480,658 S \* 10/2003 Manning ..... D11/82

D485,206 S \* 1/2004 Pachachi ..... D11/96  
D536,636 S \* 2/2007 Dobbins ..... D11/133  
D590,574 S \* 4/2009 Pawlik ..... D99/27  
D679,165 S \* 4/2013 Plehn-Citrone ..... D8/83  
D729,113 S \* 5/2015 Yatsugi-Kang ..... D11/79  
D786,123 S \* 5/2017 Jimenez ..... D11/81  
D787,976 S \* 5/2017 Jimenez ..... D11/81

**OTHER PUBLICATIONS**

U.S. Appl. No. 29/617,298, filed Sep. 13, 2017.  
U.S. Appl. No. 29/617,301, filed Sep. 13, 2017.  
U.S. Appl. No. 29/617,299, filed Sep. 13, 2017.

\* cited by examiner

*Primary Examiner* — Cynthia Ramirez  
*Assistant Examiner* — L. Martinez  
(74) *Attorney, Agent, or Firm* — DLA Piper LLP US

(57) **CLAIM**

The ornamental design for a cross pendant, as shown and described.

**DESCRIPTION**

FIG. 1 is a top plan view of a cross pendant showing my new design.  
FIG. 2 is a perspective view thereof.  
FIG. 3 is a left side elevational view thereof.  
FIG. 4 is a front elevational view thereof.  
FIG. 5 is a right side elevational view thereof.  
FIG. 6 is a rear elevational view thereof; and,  
FIG. 7 is a bottom plan view thereof.

**1 Claim, 1 Drawing Sheet**



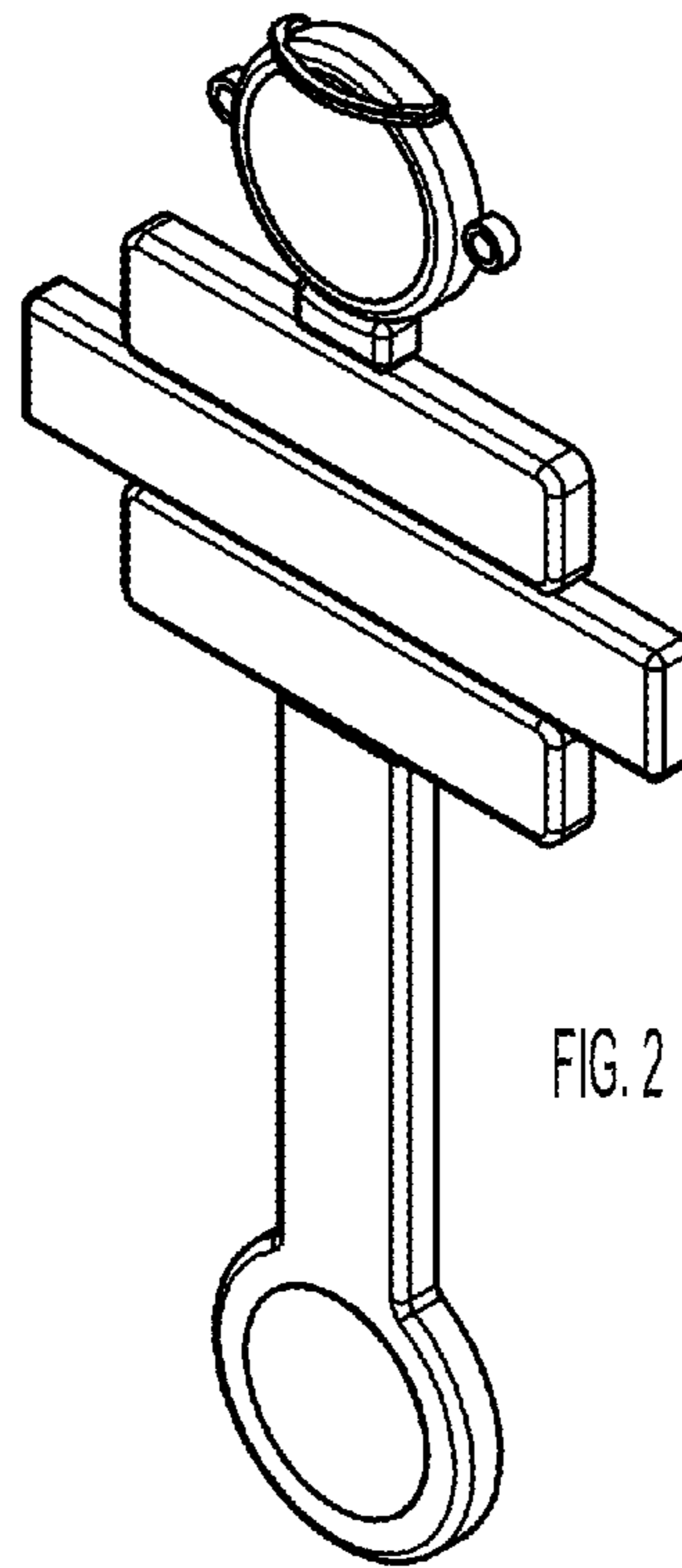


FIG. 2



FIG. 1



FIG. 3

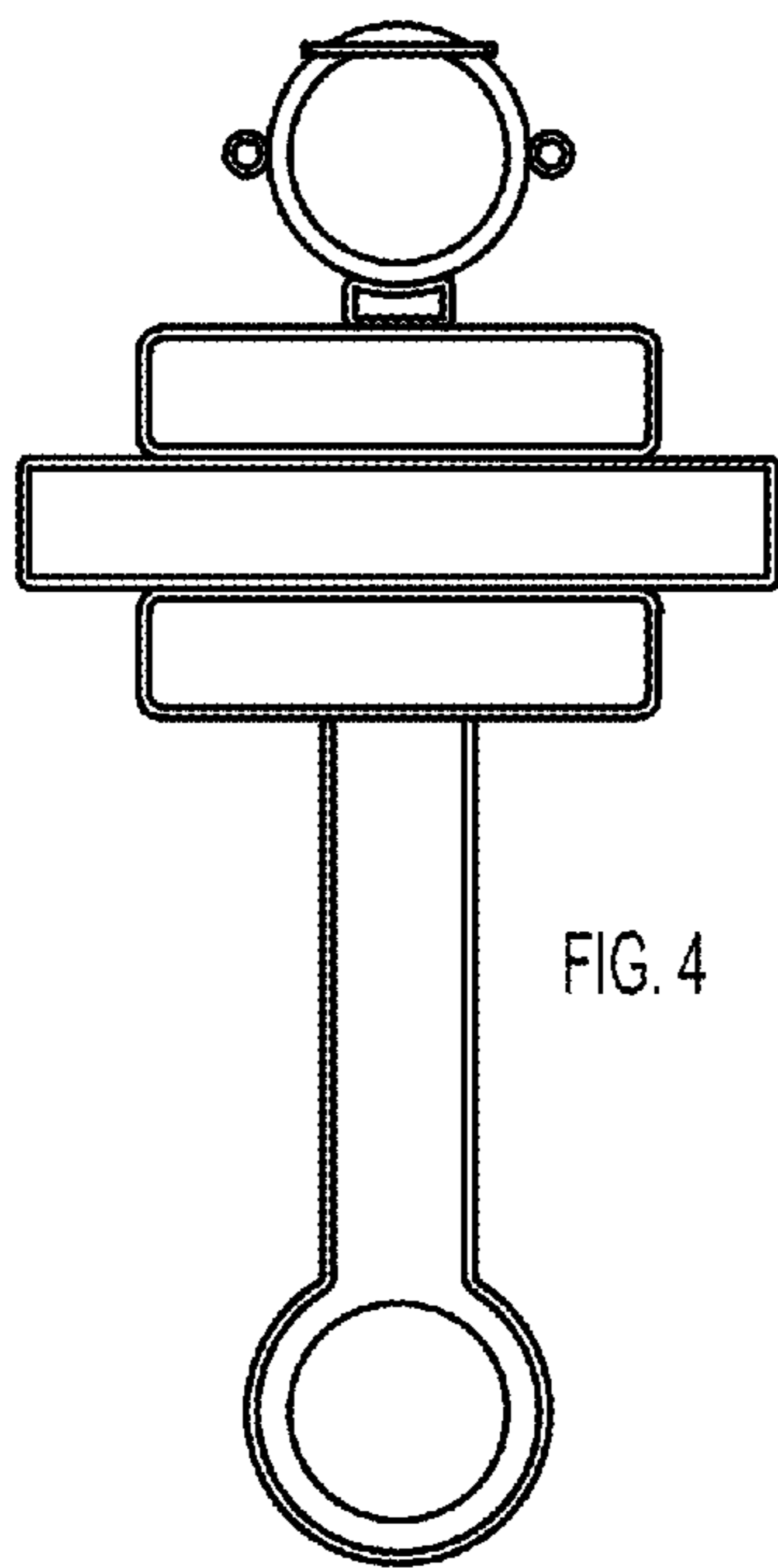


FIG. 4



FIG. 7

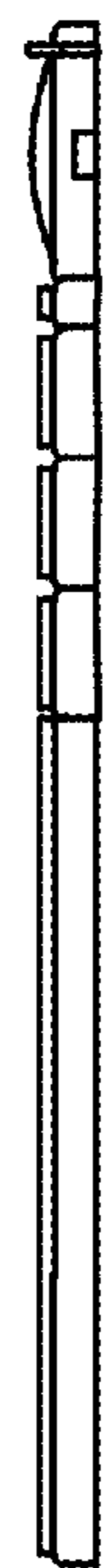


FIG. 5

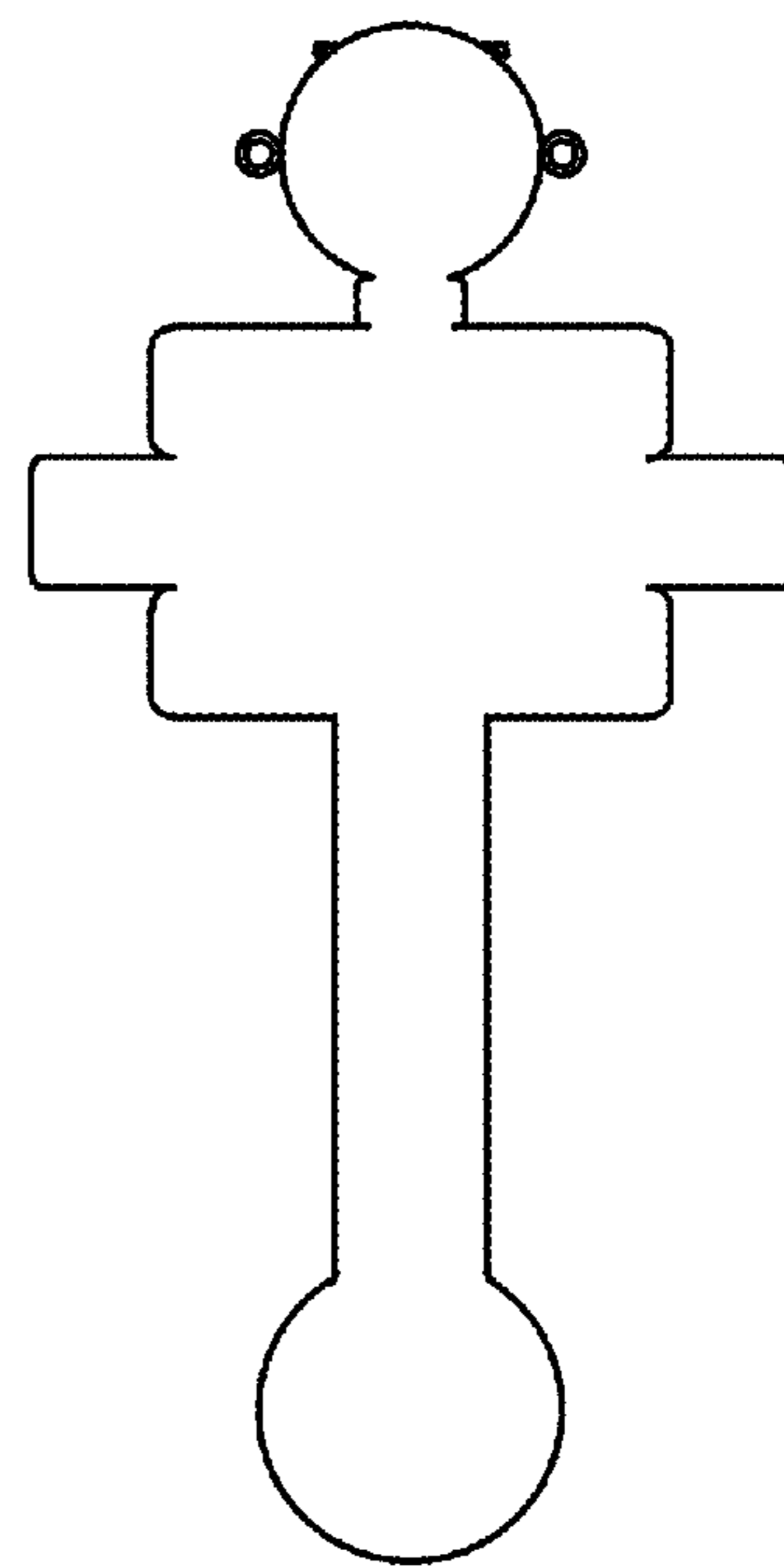


FIG. 6