



US00D854960S

(12) **United States Design Patent**
Yu

(10) **Patent No.:** **US D854,960 S**

(45) **Date of Patent:** **** Jul. 30, 2019**

(54) **WATCH BAND**

(71) Applicant: **Wusheng Yu, Jiujiang (CN)**

(72) Inventor: **Wusheng Yu, Jiujiang (CN)**

(**) Term: **15 Years**

(21) Appl. No.: **29/621,725**

(22) Filed: **Oct. 11, 2017**

(51) **LOC (11) Cl.** **11-01**

(52) **U.S. Cl.**
USPC **D11/3**

(58) **Field of Classification Search**
USPC D10/31, 32, 38, 39, 46, 70; D11/1-25,
D11/86, 87; D14/344
CPC A44C 5/12; A44C 5/14; A44C 5/18; A44C
5/0053; A44C 5/0069; A44C 5/0076;
A44C 5/00; A44C 5/0007; A44C 5/0015;
A44C 5/0023; A44C 5/003; A44C
5/0061; A44C 5/147; A44C 5/185; A44C
5/2047; A44C 5/2052; G04B 37/00;
G04B 37/1486; A44B 11/006; A44B
11/24

See application file for complete search history.

(56) **References Cited**

U.S. PATENT DOCUMENTS

2,266,953 A * 12/1941 Blue A41F 9/002
156/104
D310,035 S * 8/1990 Braun D10/32
D377,613 S * 1/1997 Consolo D10/32
D378,807 S * 4/1997 Houlihan D11/3
D379,940 S * 6/1997 Riley D11/3
D394,402 S * 5/1998 Riley D10/32
D407,342 S * 3/1999 Ishizaka D11/3

D450,613 S * 11/2001 Rantala D11/3
D732,414 S * 6/2015 Cerrato D11/3
D795,731 S * 8/2017 Bayley D11/3
D802,465 S * 11/2017 Dukerschein D11/3
D836,477 S * 12/2018 Peng D11/3

OTHER PUBLICATIONS

Sport Band Compatible with Apple Watch (available online) Retrieved from the internet Feb. 19, 2019 from URL: https://www.amazon.com/Compatible-Silicone-Replacement-iWatch-Turquoise/dp/B07BHHF6WN?ref_=bl_dp_s_web_17741349011.*

* cited by examiner

Primary Examiner — Kevin K Rudzinski
Assistant Examiner — Richard Kearney
(74) *Attorney, Agent, or Firm* — Li & Cai Intellectual Property (USA) Office

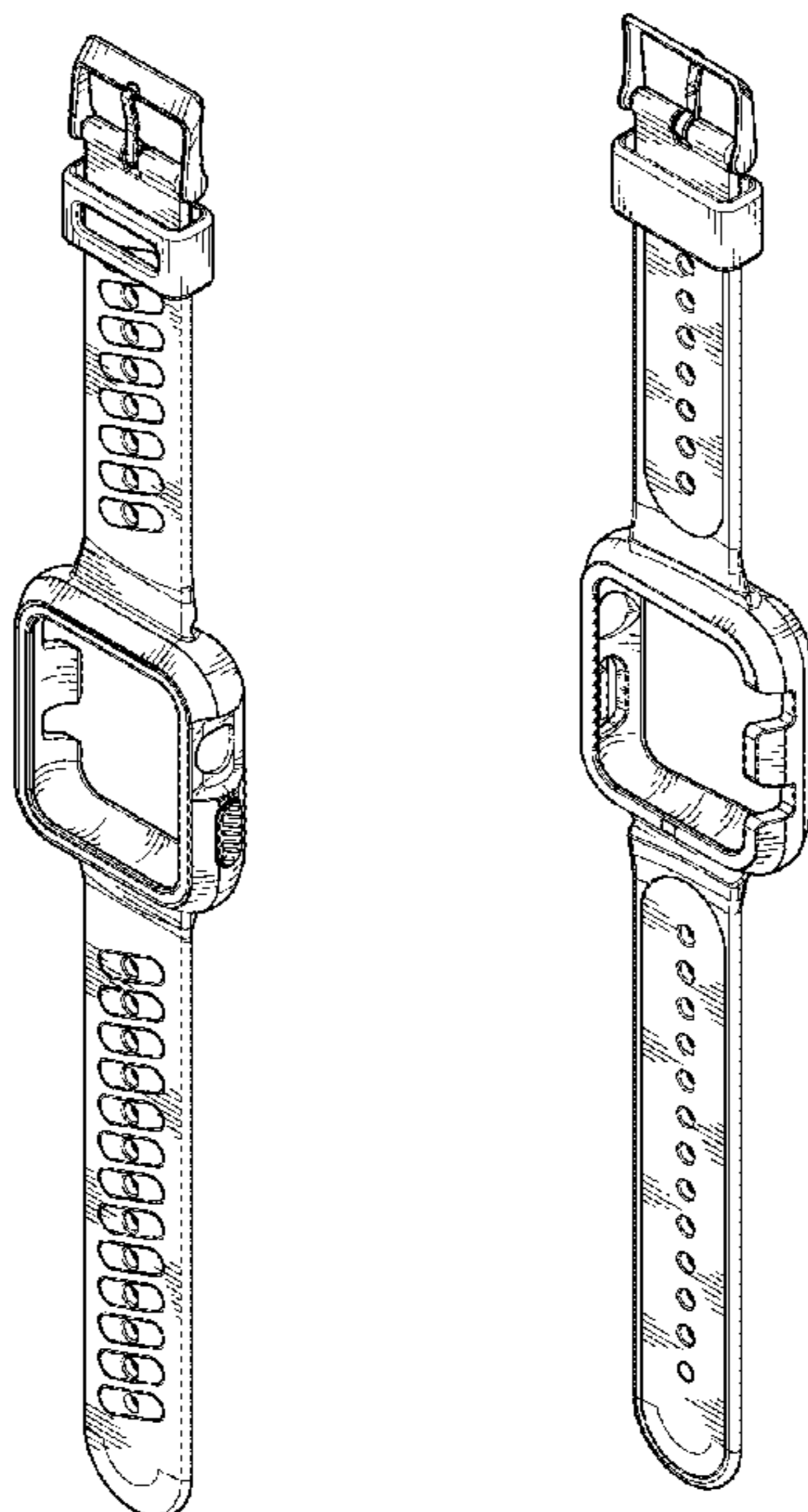
(57) **CLAIM**

The ornamental design for a “watch band,” as shown and described.

DESCRIPTION

FIG. 1 is a right, top and front perspective view of a watch band showing my new design;
FIG. 2 is a front elevational view thereof;
FIG. 3 is a rear elevational view thereof;
FIG. 4 is a left side elevational view thereof;
FIG. 5 is a right side elevational view thereof;
FIG. 6 is a top plan view thereof;
FIG. 7 is a bottom plan view thereof; and,
FIG. 8 is a left, bottom and rear perspective view thereof.

1 Claim, 5 Drawing Sheets



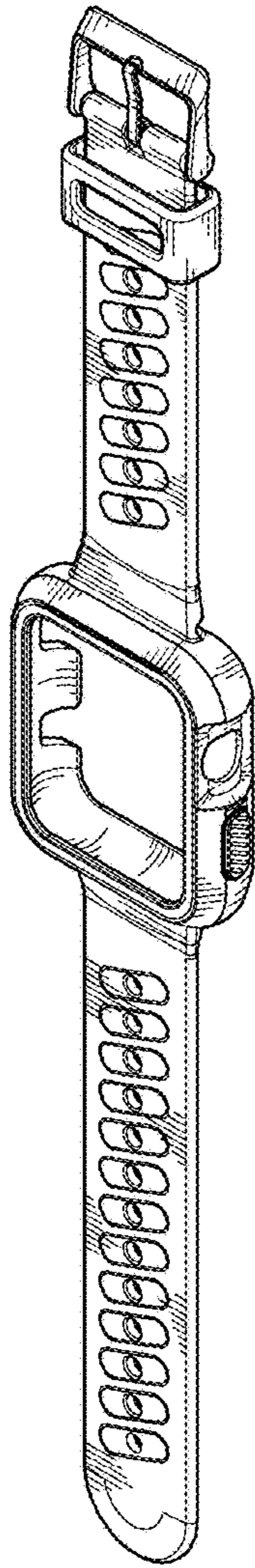


FIG. 1

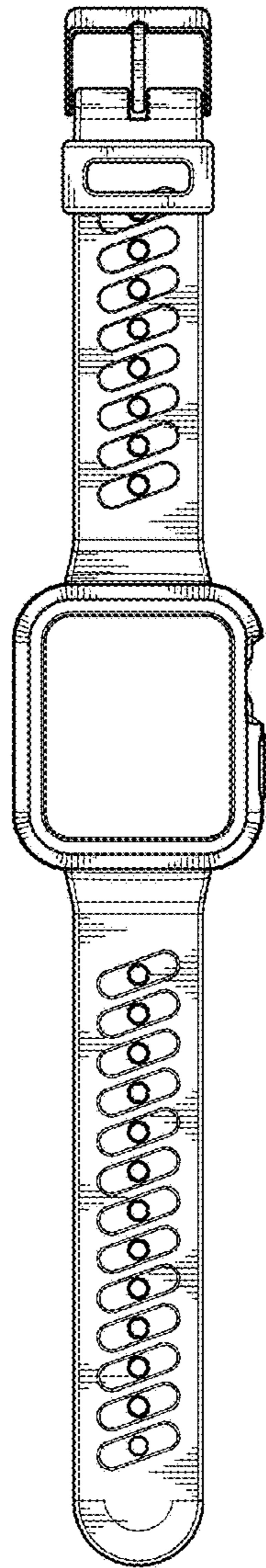


FIG. 2

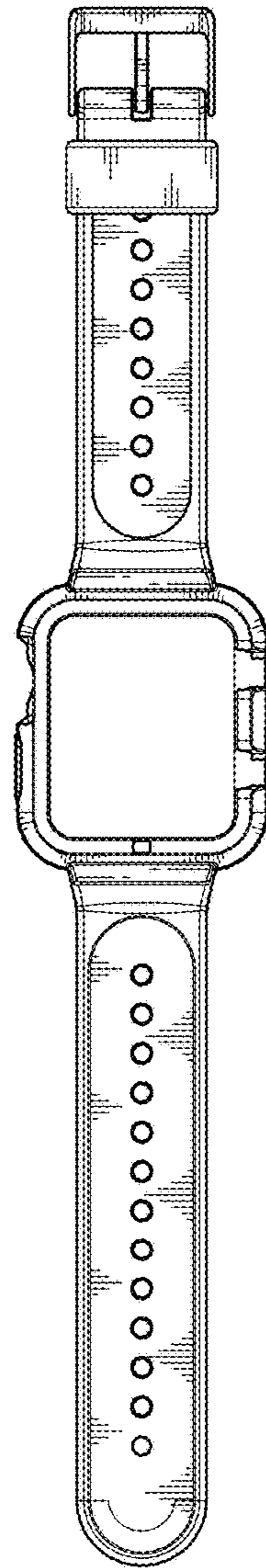


FIG. 3



FIG. 4

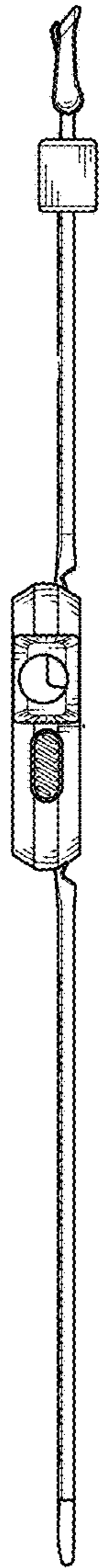


FIG. 5

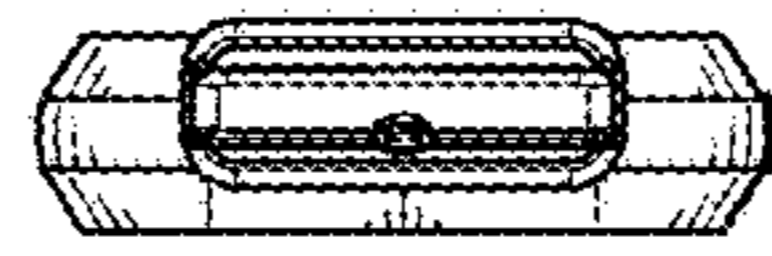


FIG. 6



FIG. 7

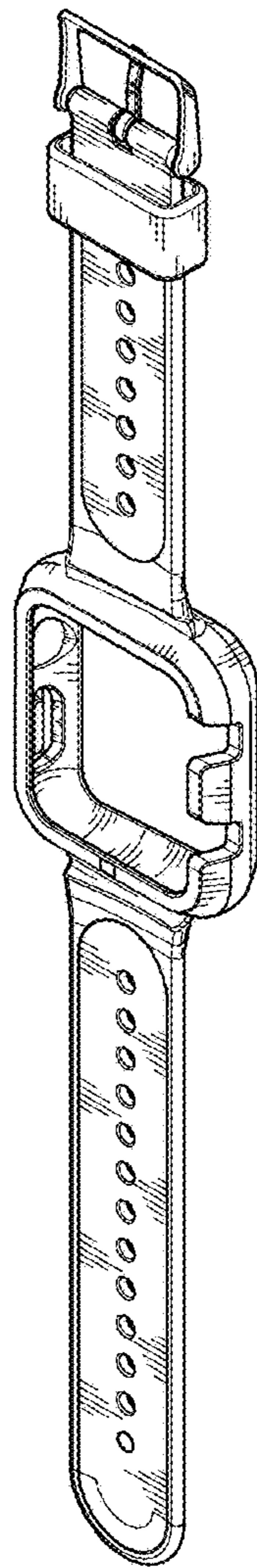


FIG. 8