



US00D854959S

(12) **United States Design Patent** (10) **Patent No.:** **US D854,959 S**
Favre (45) **Date of Patent:** **** Jul. 30, 2019**

(54) **POWER RESERVE INDICATOR**

(56) **References Cited**

(71) Applicant: **RICHEMONT INTERNATIONAL SA, Villars-sur-Glâne (CH)**

U.S. PATENT DOCUMENTS

(72) Inventor: **Lionel Favre, Ambilly (FR)**

5,699,322 A * 12/1997 Born G04C 10/04
 322/29
 8,342,740 B2 * 1/2013 Beccia G04B 9/005
 368/208
 D753,007 S * 4/2016 Muller D10/126
 D762,134 S * 7/2016 Jeannet D10/126
 D762,491 S * 8/2016 Okazaki D10/126
 9,448,536 B1 * 9/2016 Kahn G04B 5/02
 D773,951 S * 12/2016 Bode D10/126
 D801,196 S * 10/2017 Sugiura D10/39
 D813,691 S * 3/2018 Plange D10/38

(**) Term: **15 Years**

(21) Appl. No.: **35/504,290**

(22) Filed: **Jul. 11, 2017**

(80) **Hague Agreement Data**

* cited by examiner

Int. Filing Date: **Jul. 11, 2017**

Primary Examiner — George D. Kirschbaum

Int. Reg. No.: **DM/097895**

(57) **CLAIM**

Int. Reg. Date: **Jul. 11, 2017**

The ornamental design for a power reserve indicator, as shown and described.

Int. Reg. Pub. Date: **Jan. 12, 2018**

(30) **Foreign Application Priority Data**

DESCRIPTION

Jan. 13, 2017 (WO) DM/094463

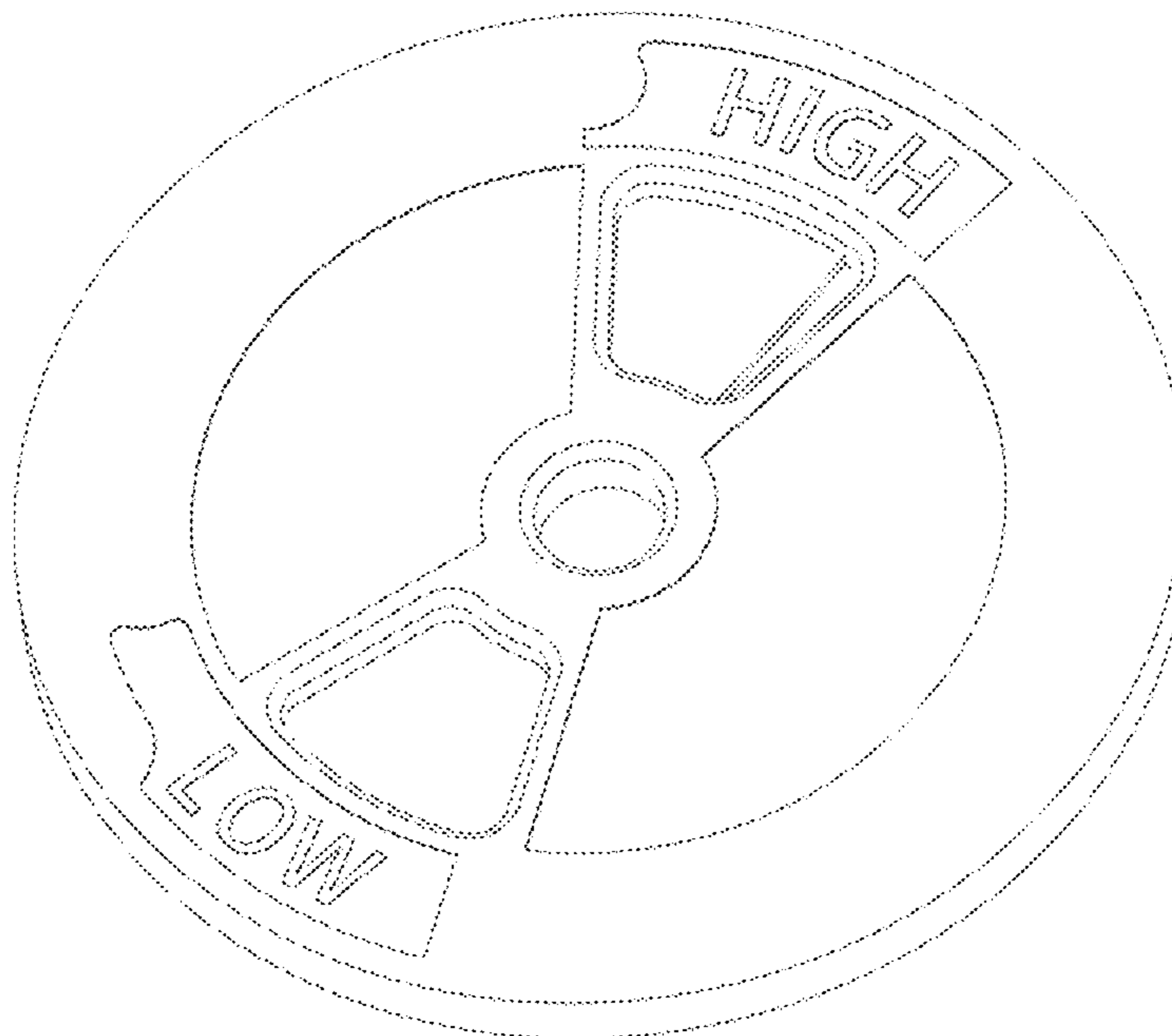
(51) **LOC (11) Cl.** **10-07**

(52) **U.S. Cl.**
USPC **D10/126**

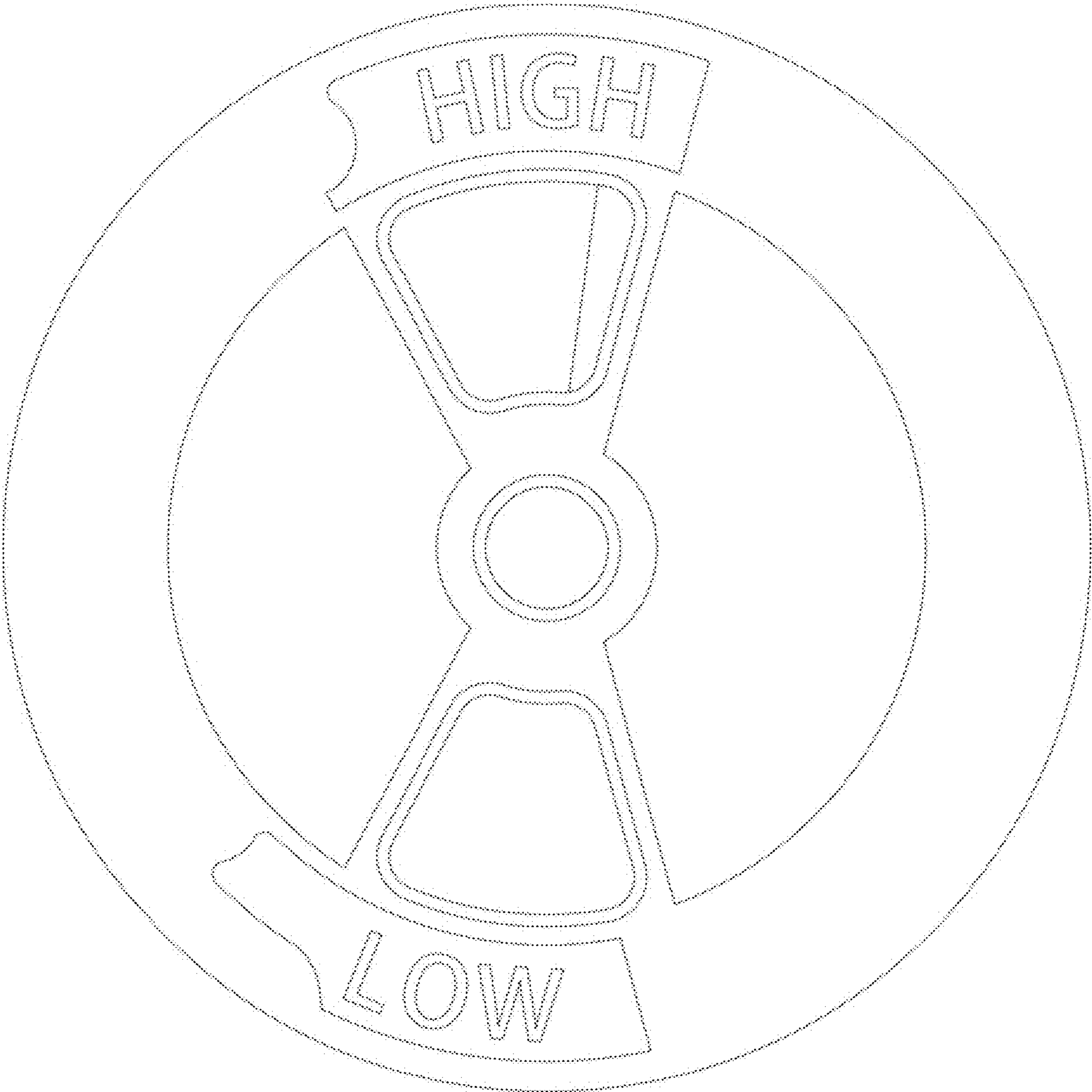
(58) **Field of Classification Search**
USPC D10/39, 126
CPC G04B 5/02; G04B 9/005; G04C 10/04
See application file for complete search history.

1. Power reserve indicator
- 1.1 : Front
- 1.2 : Back
- 1.3 : Top
- 1.4 : Bottom
- 1.5 : Left
- 1.6 : Right
- 1.7 : Perspective

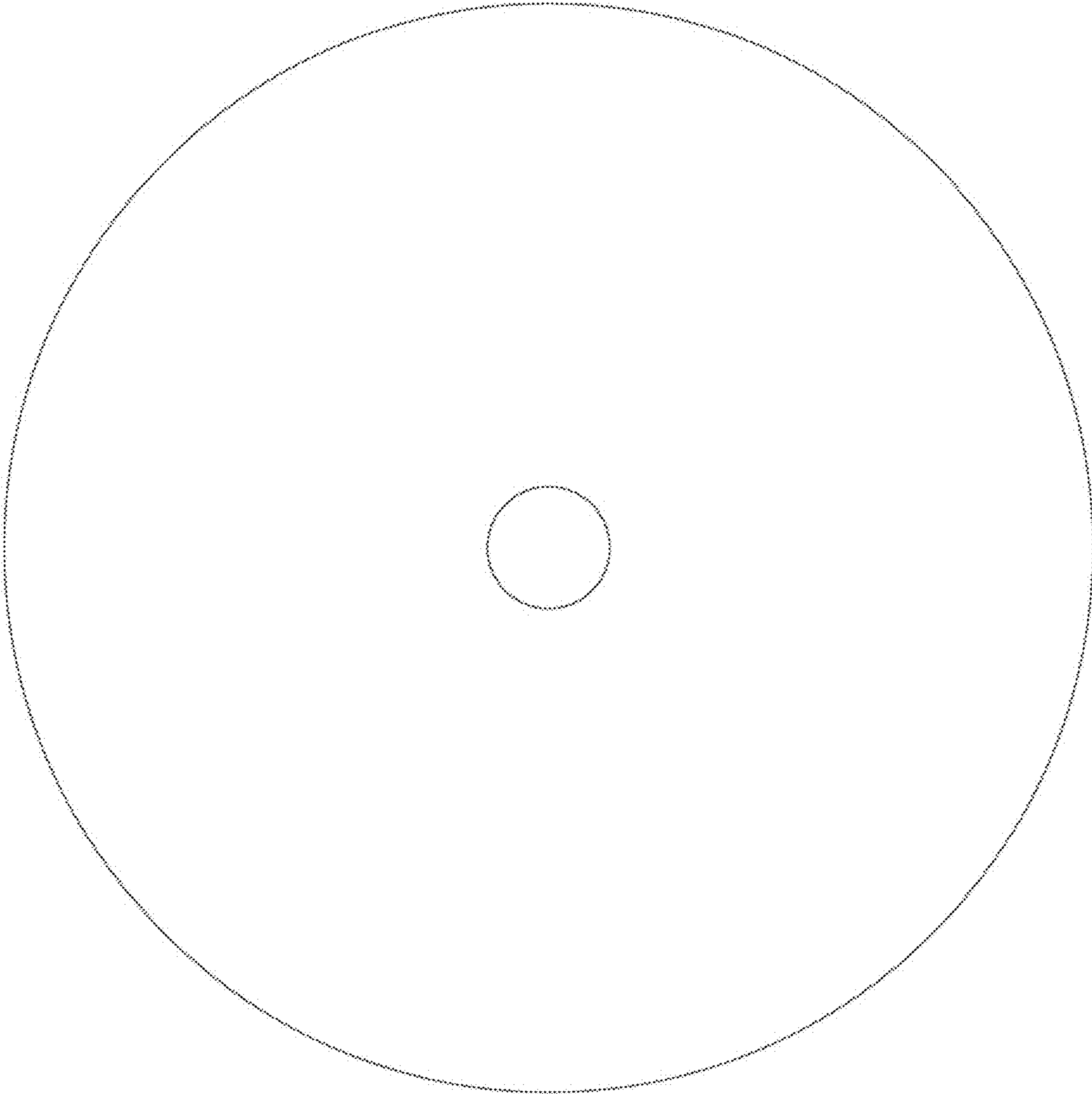
1 Claim, 7 Drawing Sheets



1.1



1.2



1.3



1.4



1.5



1.6



1.7

