



US00D854957S

(12) **United States Design Patent** (10) **Patent No.:** **US D854,957 S**
Rich (45) **Date of Patent:** **** Jul. 30, 2019**

(54) **TRAFFIC CONE**
(71) Applicant: **Steven Rich**, Montvale, NJ (US)
(72) Inventor: **Steven Rich**, Montvale, NJ (US)
(**) Term: **15 Years**

D295,026 S 4/1988 Lin
4,889,067 A 12/1989 Provence, Jr.
D315,874 S 4/1991 DeCaro
D317,580 S 6/1991 Thurston
5,225,254 A 7/1993 Foulke
5,287,822 A 2/1994 Anderson
(Continued)

(21) Appl. No.: **29/590,428**
(22) Filed: **Jan. 10, 2017**

FOREIGN PATENT DOCUMENTS

CA 2257766 A1 8/1999
CN 201276678 7/2009
(Continued)

Related U.S. Application Data

(63) Continuation-in-part of application No. 29/535,890, filed on Aug. 11, 2015, now Pat. No. Des. 778,194.
(51) **LOC (11) Cl.** **10-05**
(52) **U.S. Cl.**
USPC **D10/113.2**
(58) **Field of Classification Search**
USPC D10/113.2
CPC E01F 9/654
See application file for complete search history.

OTHER PUBLICATIONS

Anonymous, "Hollow Orange Cone by SafetySign.com—X5654", website, Jun. 17, 2015, <http://www.safetysign.com/products/p5019/hollow-orange-cone>.
(Continued)

Primary Examiner — George D. Kirschbaum
(74) *Attorney, Agent, or Firm* — Werschulz Patent Law, LLC; Patricia P. Werschulz, Esq.

(56) **References Cited**

(57) **CLAIM**

U.S. PATENT DOCUMENTS

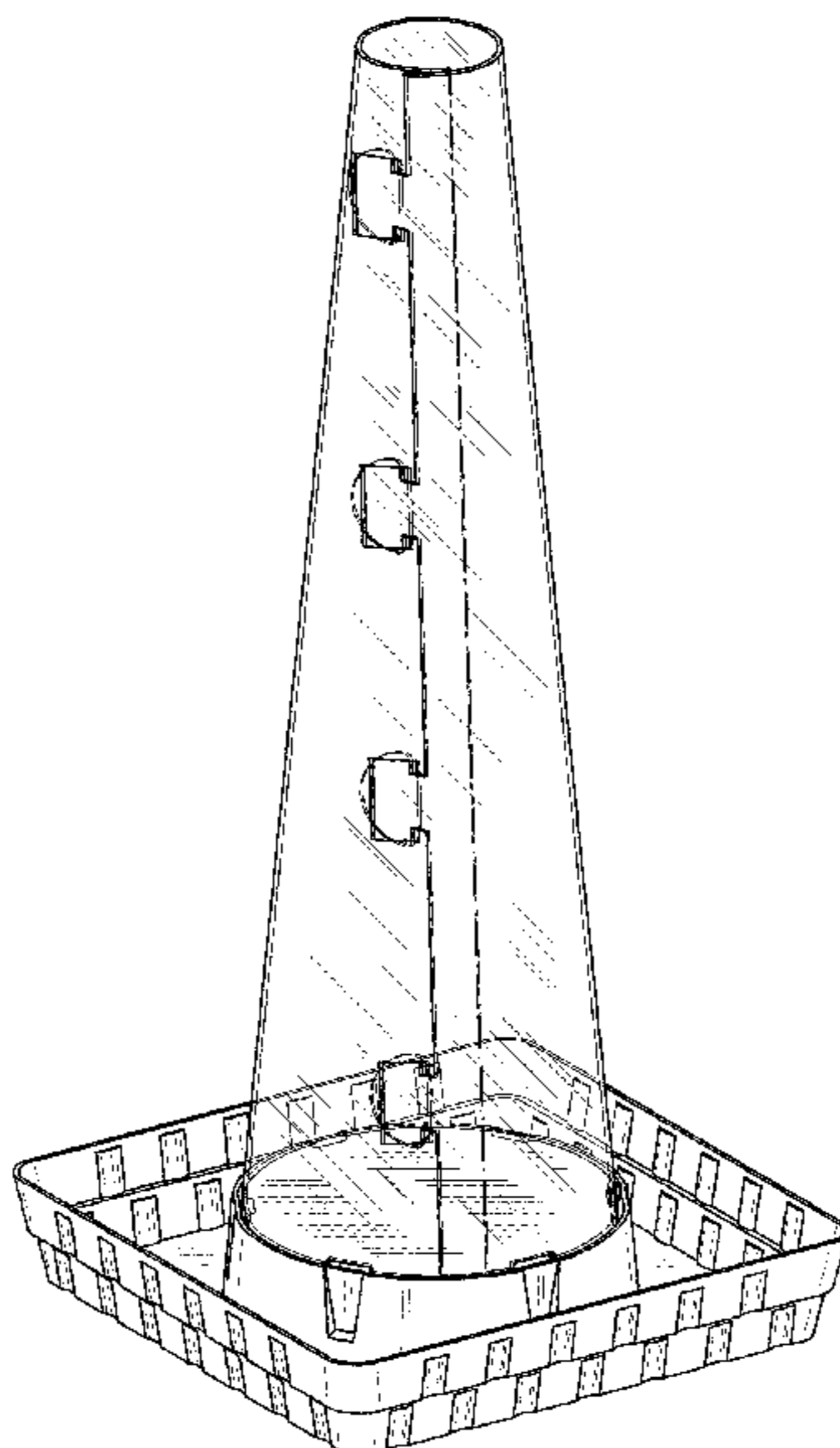
The ornamental design for a traffic cone, as shown and described.

- 1,643,118 A 9/1927 Hahn
- 2,719,505 A 10/1955 Blumenthal
- 2,817,308 A 12/1957 Scanlon
- 2,957,444 A 10/1960 Boettler
- 3,132,624 A 5/1964 Shoemaker
- 3,212,415 A 10/1965 Bryd
- 3,247,823 A 4/1966 Buck et al.
- D207,037 S 2/1967 Dawson
- D212,134 S 8/1968 Dawson
- 3,451,368 A 6/1969 Keats
- 3,596,628 A 8/1971 Wright
- 3,809,007 A 5/1974 Brown
- D235,744 S 7/1975 England
- D235,746 S 7/1975 England
- 4,083,033 A 4/1978 Kulp et al.
- 4,466,376 A 8/1984 Wells

DESCRIPTION

FIG. 1 is a perspective view of a traffic cone showing my new design;
FIG. 2 is a front elevation view thereof;
FIG. 3 is a rear elevation view thereof;
FIG. 4 is a right side elevation view thereof;
FIG. 5 is a left side elevation view thereof;
FIG. 6 is a top plan view thereof;
FIG. 7 is a bottom plan view thereof; and,
FIG. 8 is an exploded view thereof.

1 Claim, 5 Drawing Sheets



(56)

References Cited

U.S. PATENT DOCUMENTS

5,336,536 A * 8/1994 Oberzan A47G 33/06
211/196

D411,810 S 7/1999 Stockman
5,993,105 A 11/1999 Chan
6,014,941 A 1/2000 Bent et al.
6,247,424 B1 6/2001 Huang
D462,286 S 9/2002 Perelli
6,928,952 B2 8/2005 Garcia
6,929,419 B1 8/2005 Kuo
7,007,630 B2 3/2006 Garcia
7,056,055 B1 6/2006 Kuo
7,338,229 B1 3/2008 Kuo
D579,369 S 10/2008 Spataro
7,513,212 B2 4/2009 Dvoracek
D597,432 S 8/2009 Auberger
7,677,831 B2 3/2010 Kulp et al.
8,770,137 B2 * 7/2014 Kuo E01F 9/654
116/63 C

8,925,477 B2 1/2015 Wang
9,120,259 B2 9/2015 Kuo
9,493,919 B2 11/2016 Handy
9,512,578 B1 12/2016 Dvoracek
D778,194 S * 2/2017 Rich D10/113.2
D791,001 S * 7/2017 Rich D10/113.2
9,797,102 B2 10/2017 Maus et al.
2004/0060499 A1 4/2004 Penque
2004/0146677 A1 7/2004 Boyd
2004/0218381 A1 11/2004 Sawyer et al.
2007/0113774 A1 5/2007 Kuo
2007/0237578 A1 10/2007 Boyd
2008/0011221 A1 1/2008 Dvoracek
2010/0107964 A1 5/2010 Wang-Lee

2015/0231819 A1 8/2015 Wang
2016/0348325 A1 12/2016 Chi
2018/0195244 A1 7/2018 Rich

FOREIGN PATENT DOCUMENTS

EP 0141564 A2 5/1985
EP 0141564 A3 4/1986
FR 2746119 A1 9/1997
GB 981074 A 1/1965
GB 1058881 2/1967
GB 1058881 A 2/1967
GB 2108182 5/1983
GB 2108182 A 5/1983
JP 2003206515 7/2003
JP 2004257240 A 9/2004
JP 2005113391 A 4/2005
JP 2007249159 A 9/2007
TW 200940787 A 10/2009

OTHER PUBLICATIONS

Anonymous, "Home of Disposable Traffic Cones, Disposable Safety Cone Products", website, Jun. 29, 2015, <http://www.safetycones.net>.

Anonymous, "Orange, Yellow, Lime Green Reflective PVC Road Cone Traffic Products", website, Jun. 12, 2015, Zhejiang Sanmen Eastsea Rubber Factory, URL: <http://zjeastsea.en.made-in-china.com/product/aXDnvgmbHlhS/China-Orange-Yellow-Lime-Green-Reflective-PVC-Road-Cone-Traffic-Products.html>.

Anonymous, Disposable traffic cones safety barricades traffic control for job sites work area or public events. website, DISPOSACONE®, www.disposacone.com, Jun. 29, 2015.

* cited by examiner

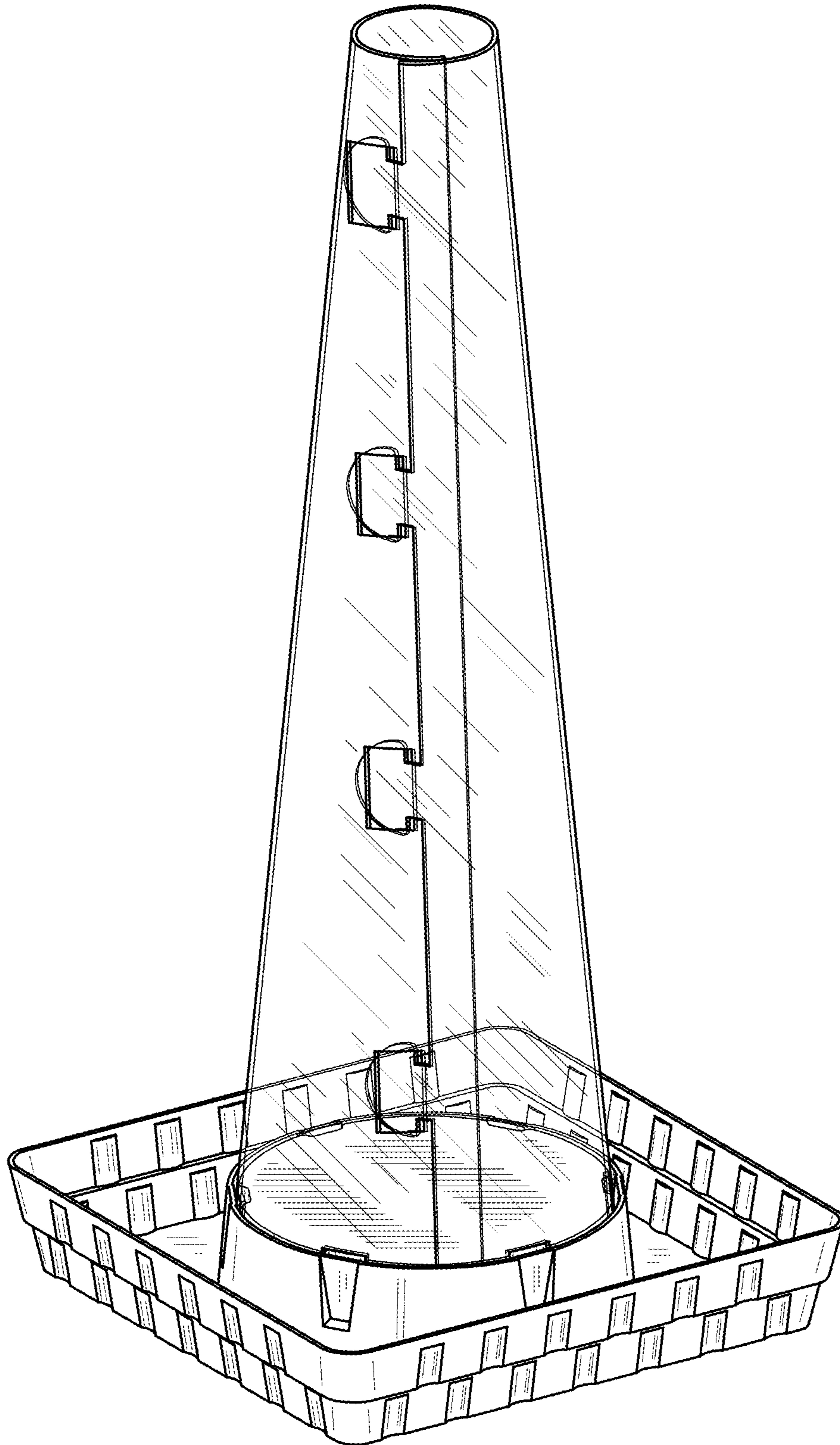


FIG. 1

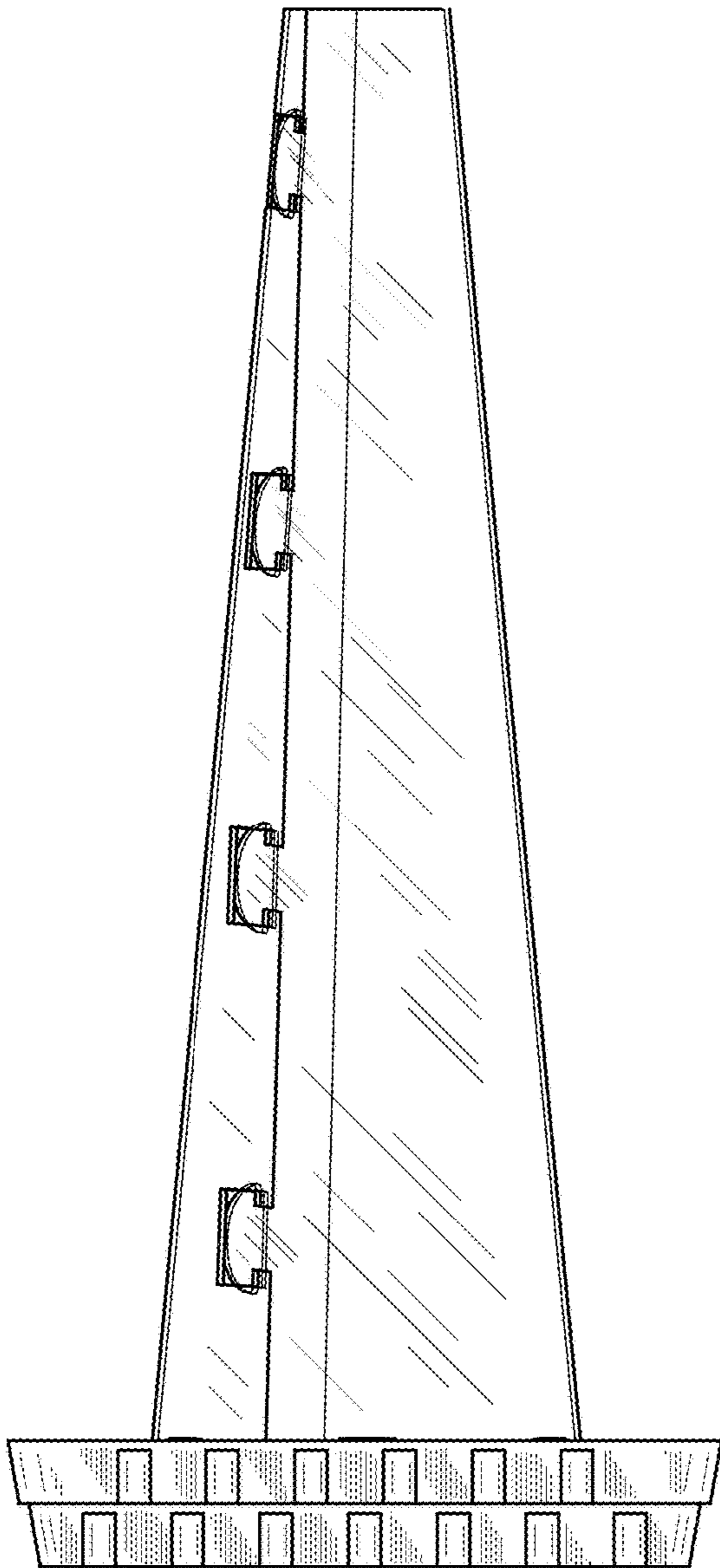


FIG. 2

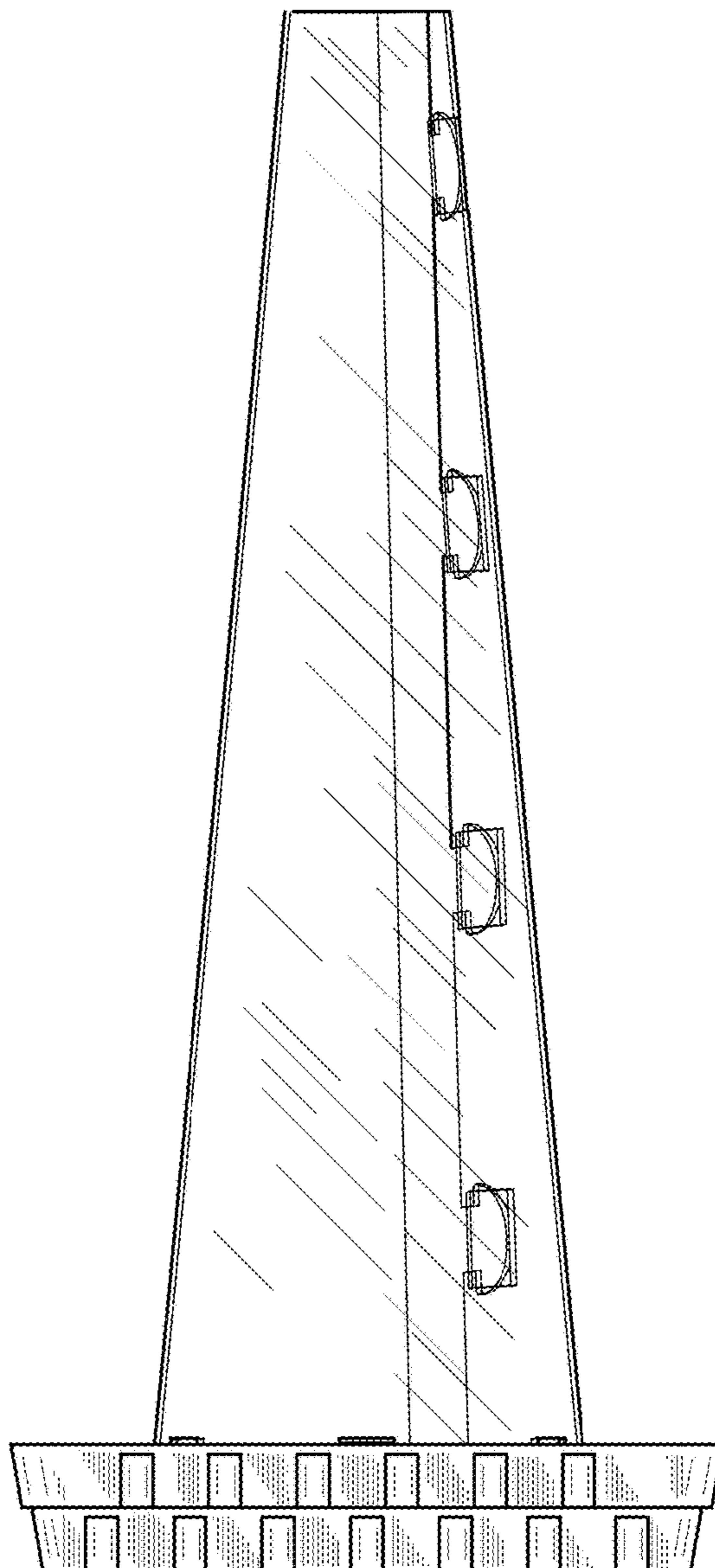


FIG. 3

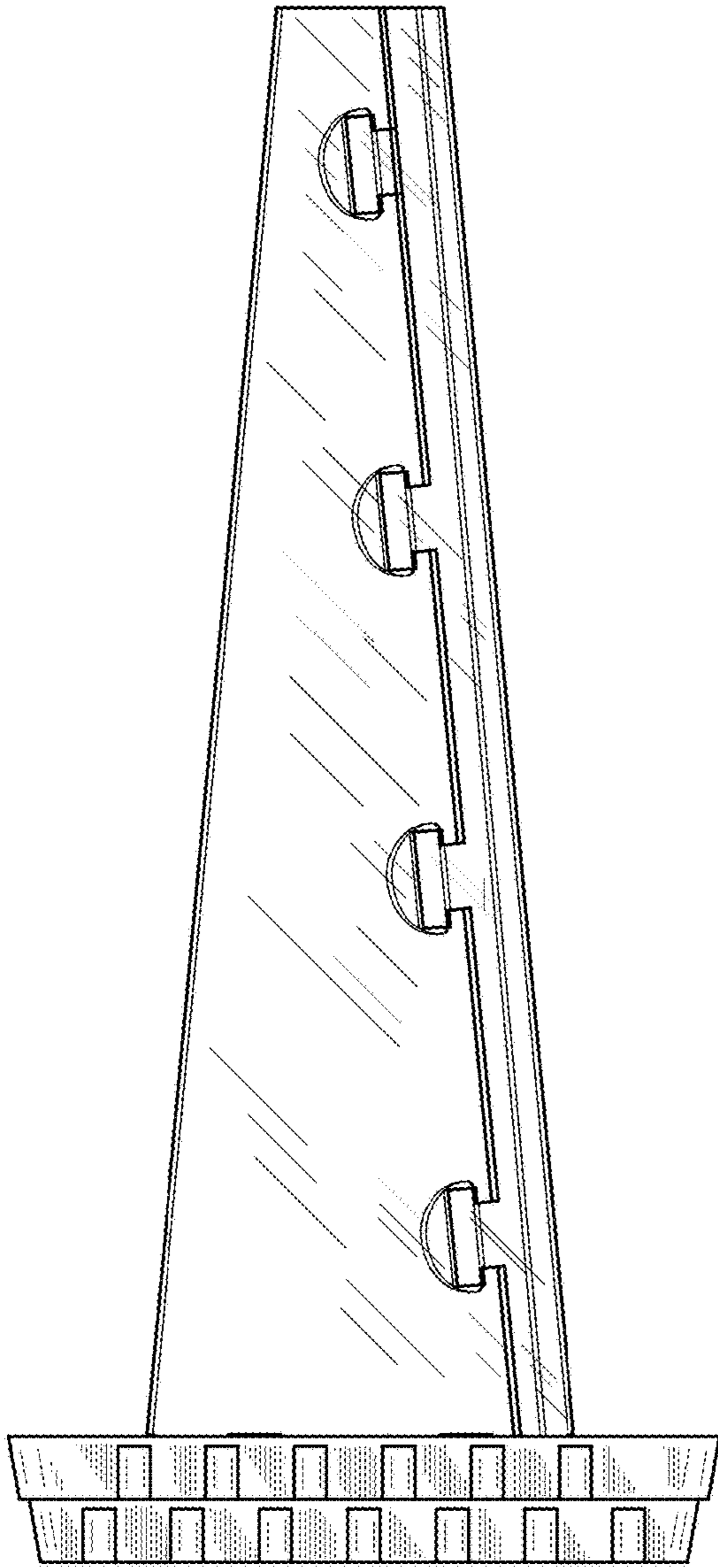


FIG. 4

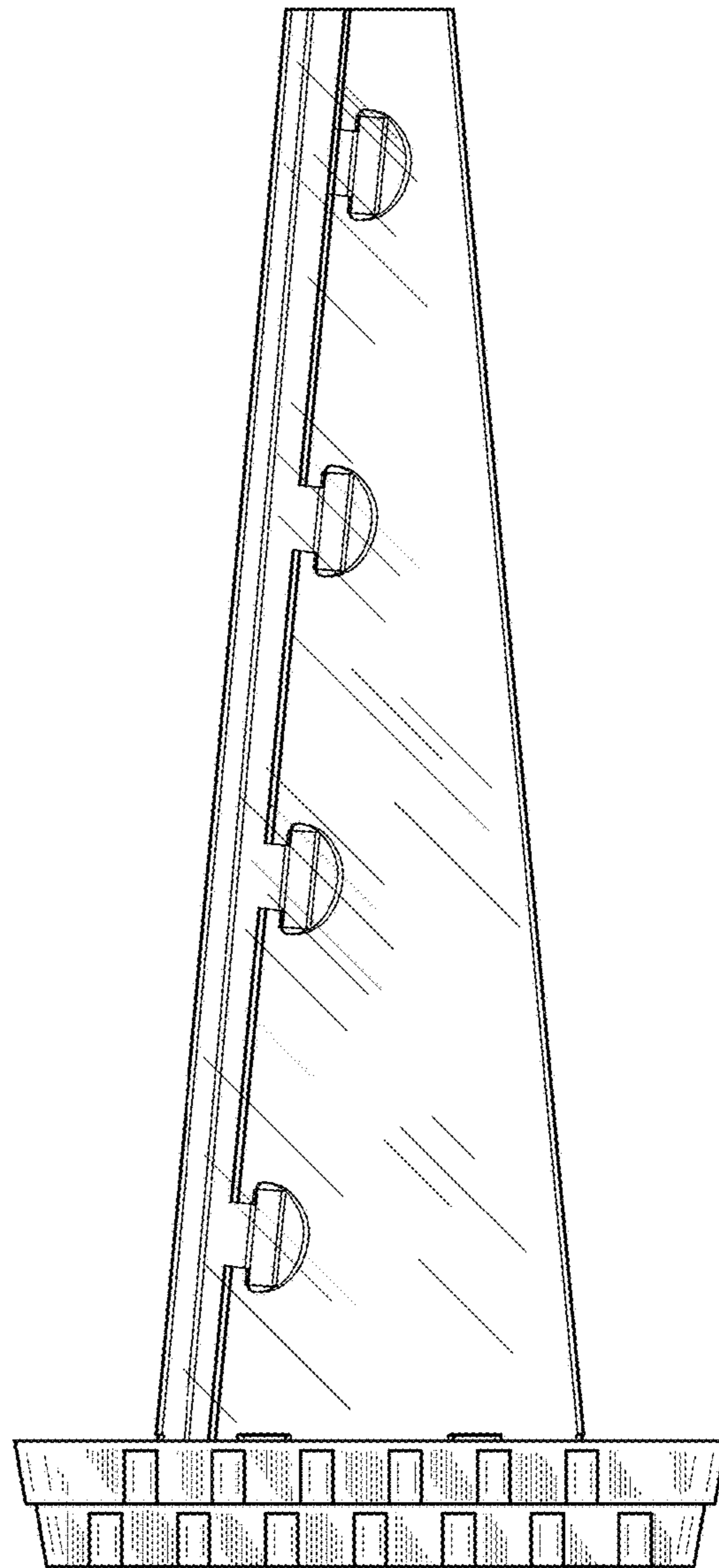


FIG. 5

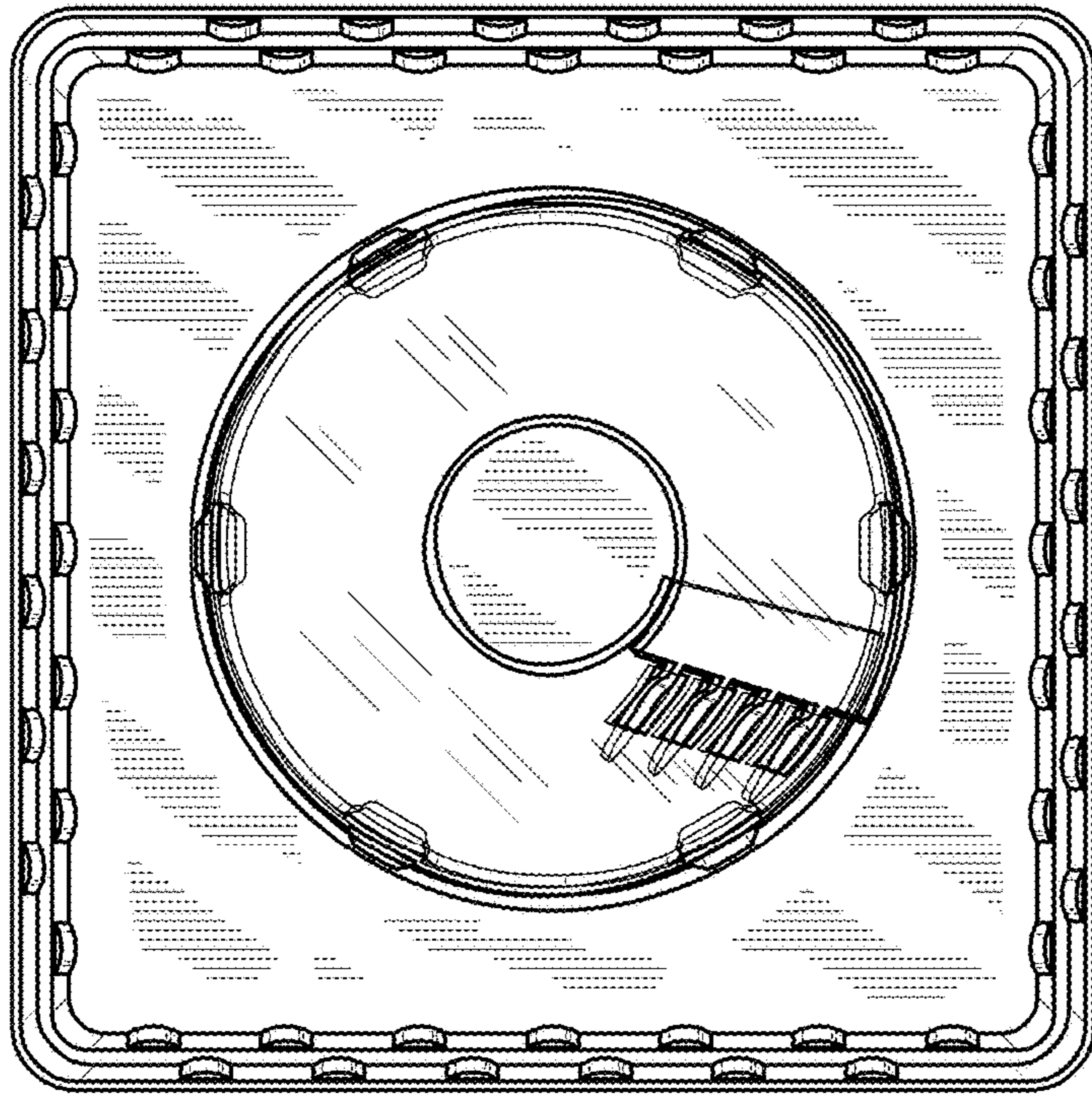


FIG. 6

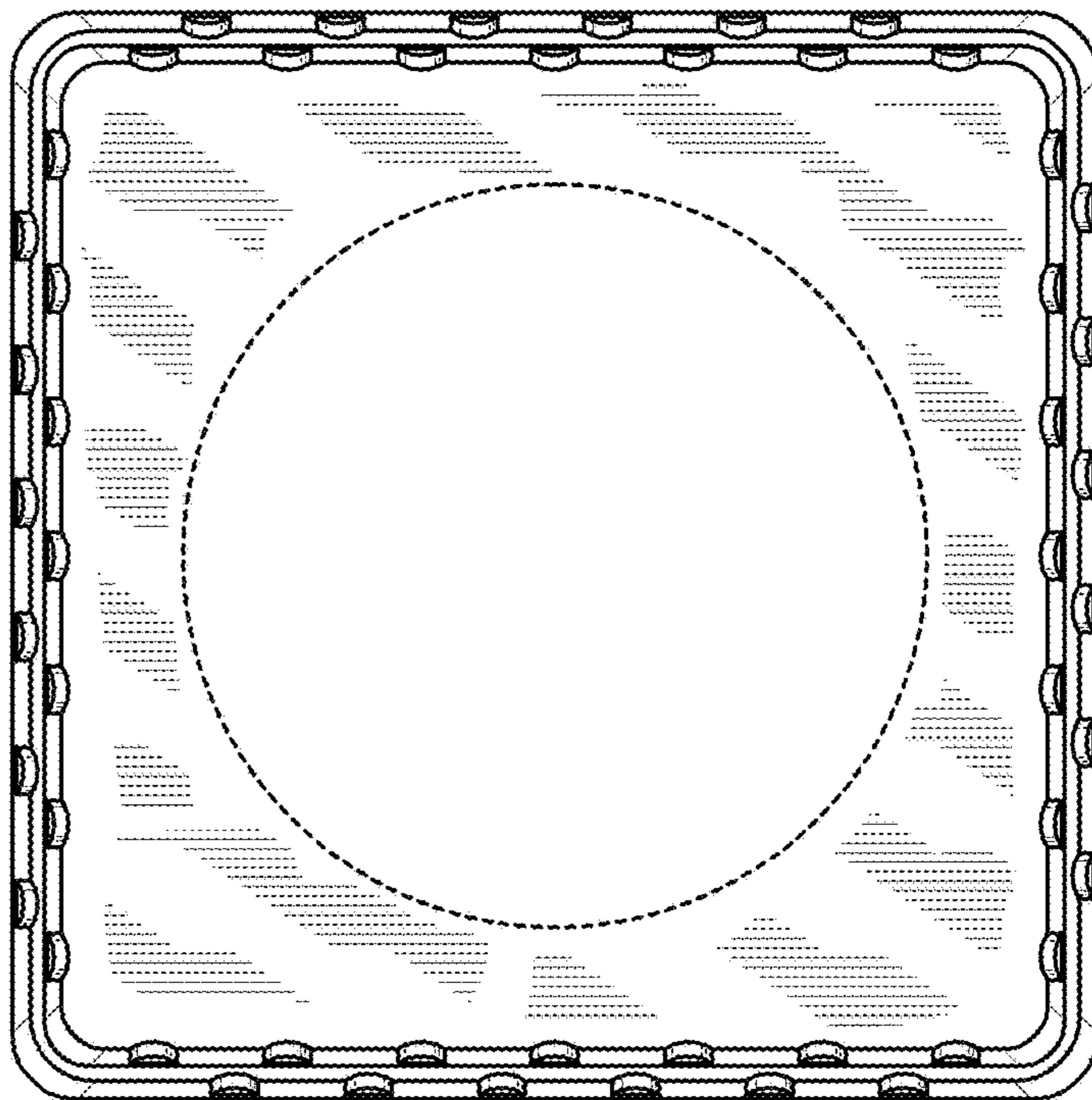


FIG. 7

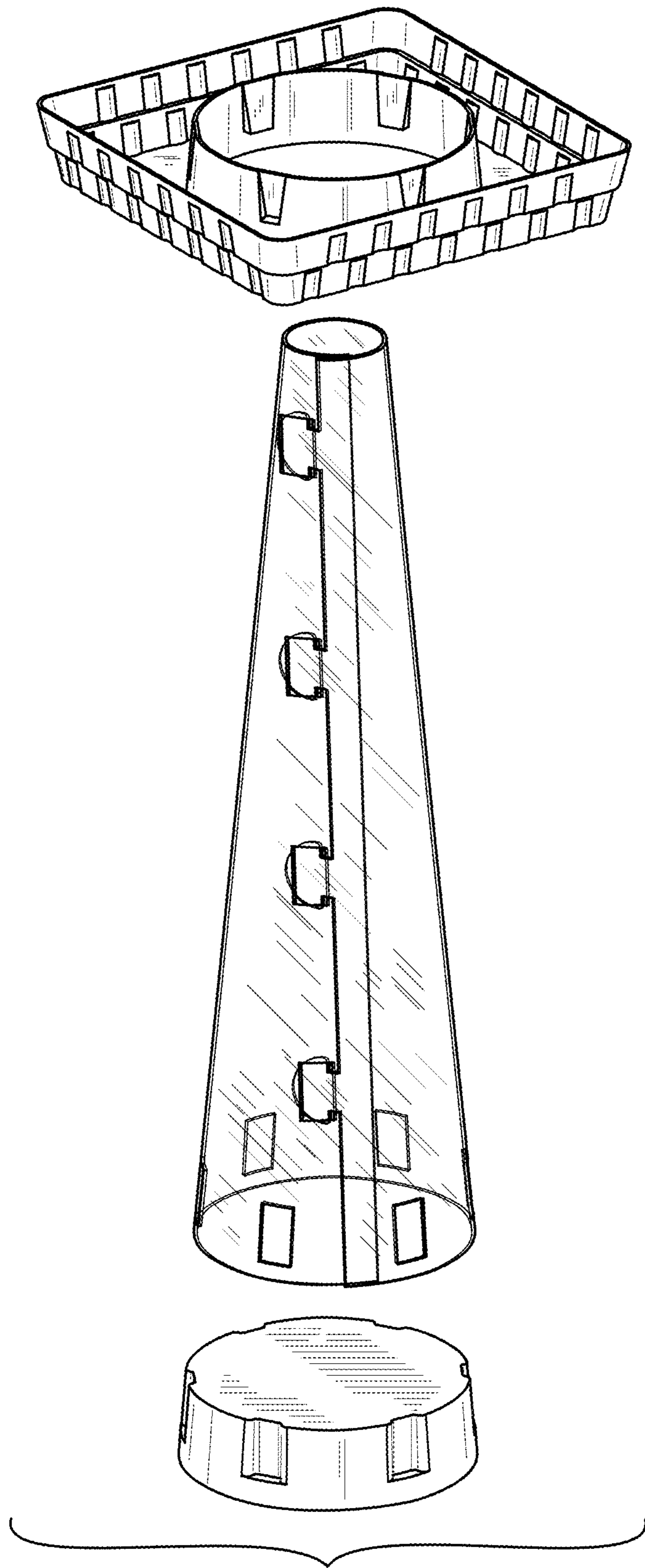


FIG. 8