



US00D854956S

(12) **United States Design Patent** (10) **Patent No.:** **US D854,956 S**
Villella Garcia (45) **Date of Patent:** **** Jul. 30, 2019**

(54) **SPACER**
(71) Applicant: **Ziclacities, S.L.**, Barcelona (ES)
(72) Inventor: **Gastón Ezequiel Villella Garcia**,
Barcelona (ES)
(73) Assignee: **Ziclacities, S.L.**, Barcelona (ES)
(**) Term: **15 Years**
(21) Appl. No.: **29/610,056**
(22) Filed: **Jul. 9, 2017**

7,090,318 B2 8/2006 Brown
7,153,056 B1 * 12/2006 Forrer E01F 9/553
404/16
7,993,073 B2 * 8/2011 Ryu E01F 9/571
404/11
D653,139 S * 1/2012 Lee D10/113.1
8,240,948 B2 * 8/2012 Amaya E01F 9/588
404/12
D671,855 S * 12/2012 Wiegel D10/113.1
D680,017 S * 4/2013 Wiegel D10/113.1
D680,419 S 4/2013 Green et al.
D691,876 S 10/2013 Ganski
9,010,048 B2 4/2015 Nickell
D756,199 S 5/2016 Carrubba
D792,194 S 7/2017 Winterberg
D812,451 S 3/2018 Winterberg
D840,408 S * 2/2019 Chen D14/447

(30) **Foreign Application Priority Data**

Jan. 18, 2017 (EM) 003654680-0002

(51) **LOC (11) Cl.** **10-05**
(52) **U.S. Cl.**
USPC **D10/113.1**
(58) **Field of Classification Search**
USPC D8/349, 354, 373, 380, 400, 377;
16/87 B, 87 R, 87.4 R, 93 R, 94 R, 95 R,
16/96 R; 248/188, 188.8, 188.9, 346.5,
248/615, 618, 688; D10/111, 113.1
CPC A47B 13/021; A47B 91/00; F16B 12/48;
E01F 9/013; E01F 11/00; E01F 9/06
See application file for complete search history.

(56) **References Cited**

U.S. PATENT DOCUMENTS

2,305,790 A * 12/1942 Martin B41J 29/08
248/615
D224,695 S * 8/1972 Cullinan D10/113.1
D288,407 S * 2/1987 St. Alban D8/354
D326,060 S * 5/1992 Sakko D10/113.1
6,499,408 B1 * 12/2002 Kundel, Sr. B61B 3/00
104/111
D490,293 S 5/2004 Brown
D525,181 S 7/2006 Horner

OTHER PUBLICATIONS

Official Action Dated Apr. 5, 2018 From the U.S. Patent and
Trademark Office Re. U.S. Appl. No. 29/609,712. (6 pages).

Primary Examiner — Janice Hallmark
Assistant Examiner — Harold E Blackwell, II

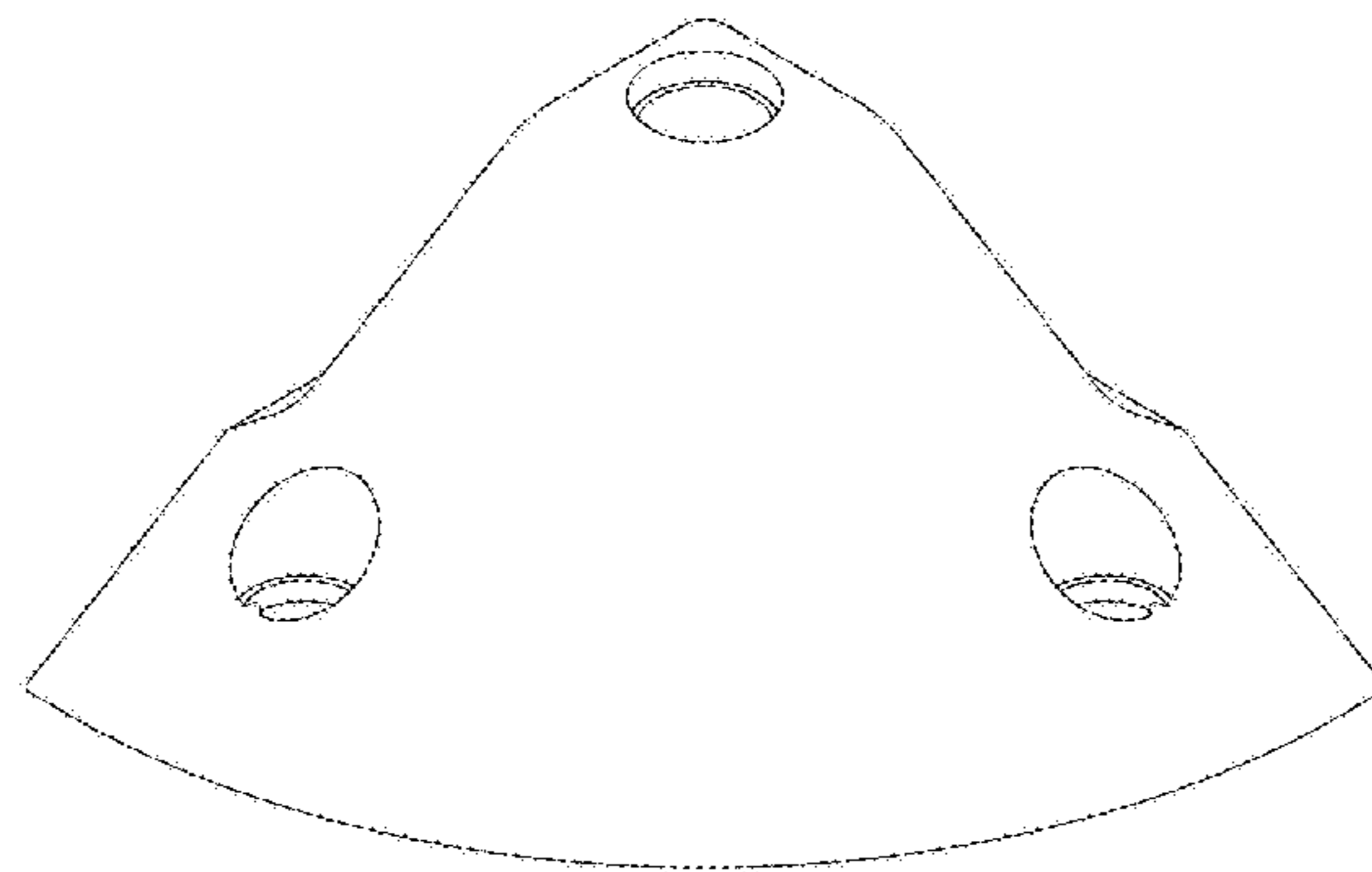
(57) **CLAIM**

The ornamental design for spacer, as shown and described.

DESCRIPTION

FIG. 1 is a perspective front view of a spacer, showing my
new design;
FIG. 2 is a perspective rear view thereof;
FIG. 3 is a front right view thereof;
FIG. 4 is a front left side view thereof;
FIG. 5 is a rear side view thereof;
FIG. 6 is a top view thereof; and,
FIG. 7 is a bottom view thereof.
The broken lines in the drawings illustrate portions of the
spacer that form no part of the claimed design.

1 Claim, 7 Drawing Sheets



(56)

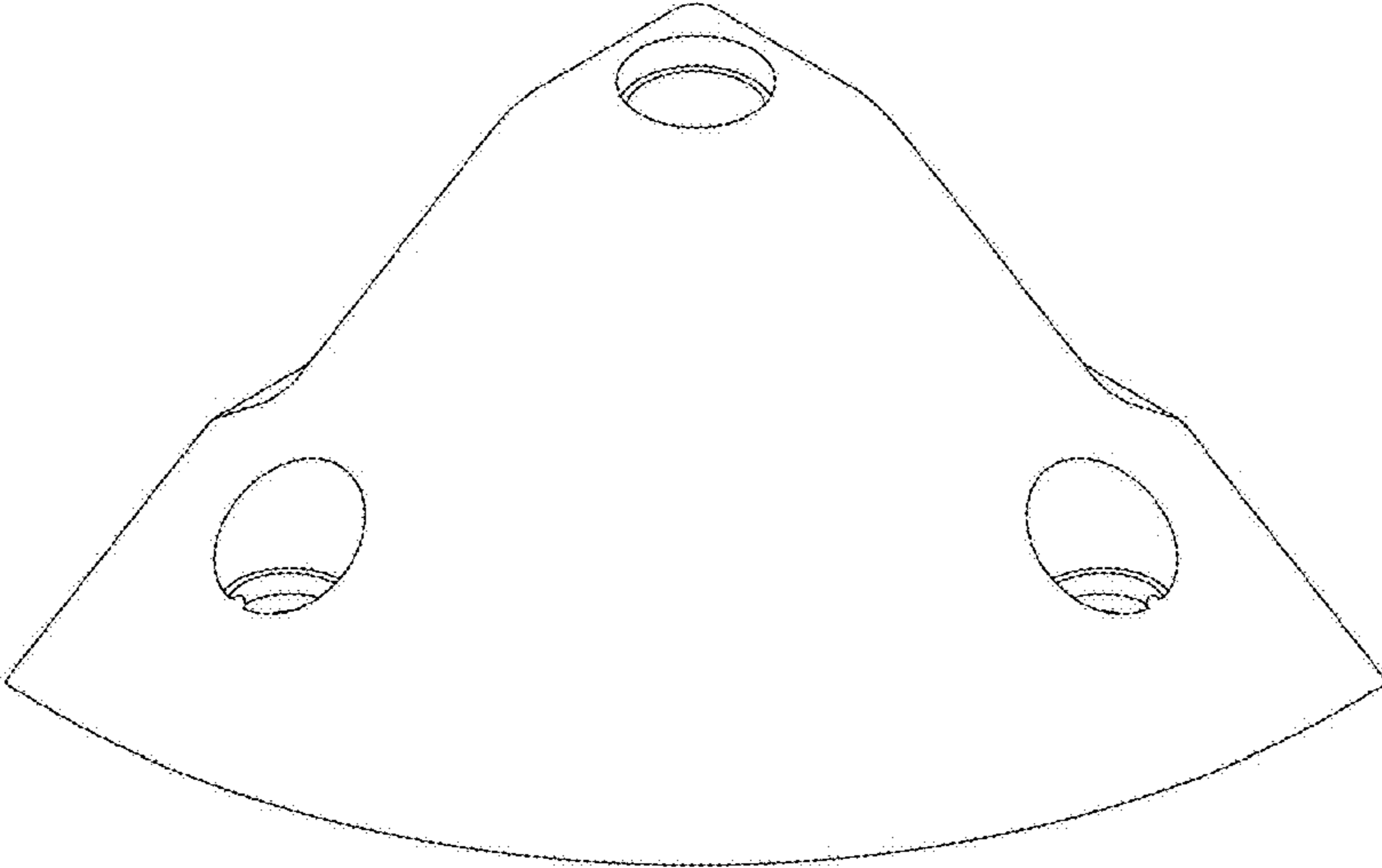
References Cited

U.S. PATENT DOCUMENTS

10,202,241 B2 * 2/2019 Valliere B65G 1/14
2004/0200087 A1 * 10/2004 Killen E04D 15/04
33/613

* cited by examiner

FIG. 1



213

FIG. 2

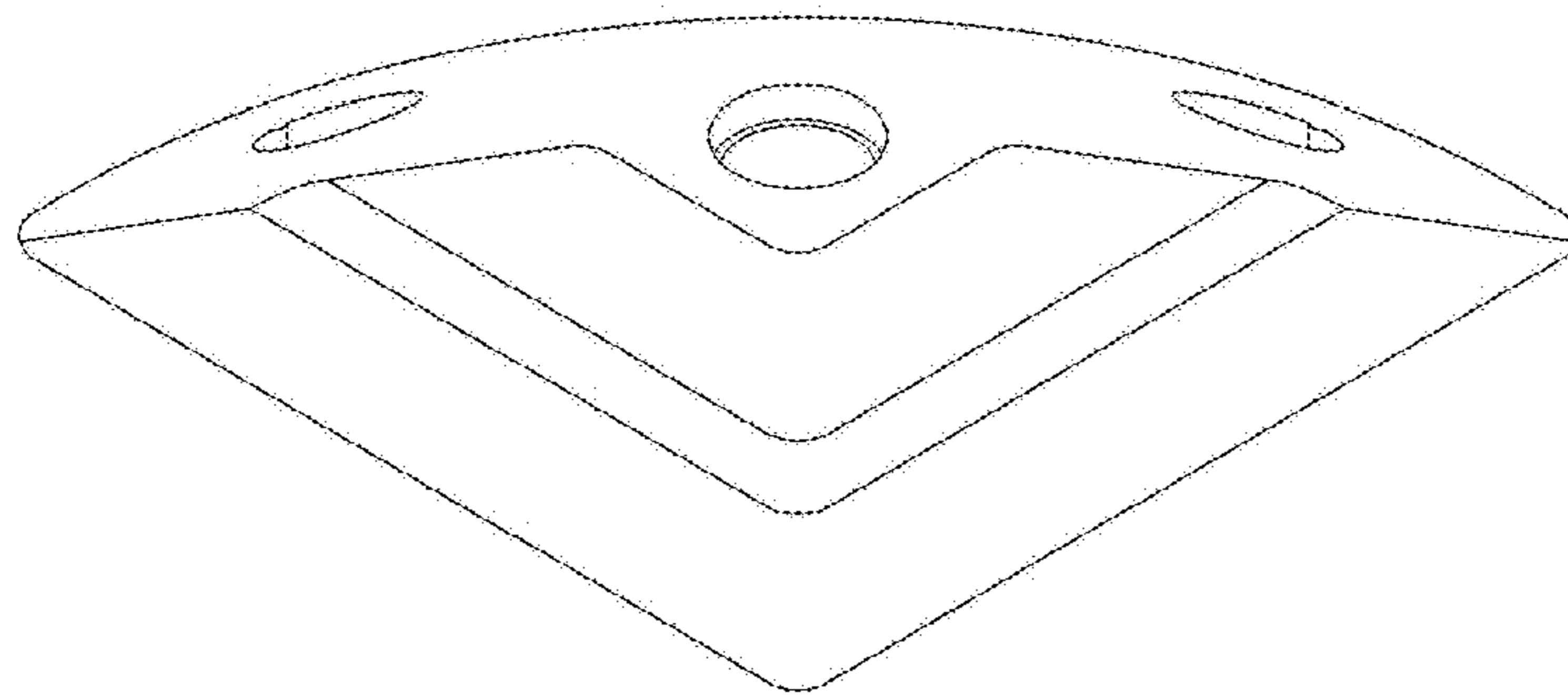


FIG. 3

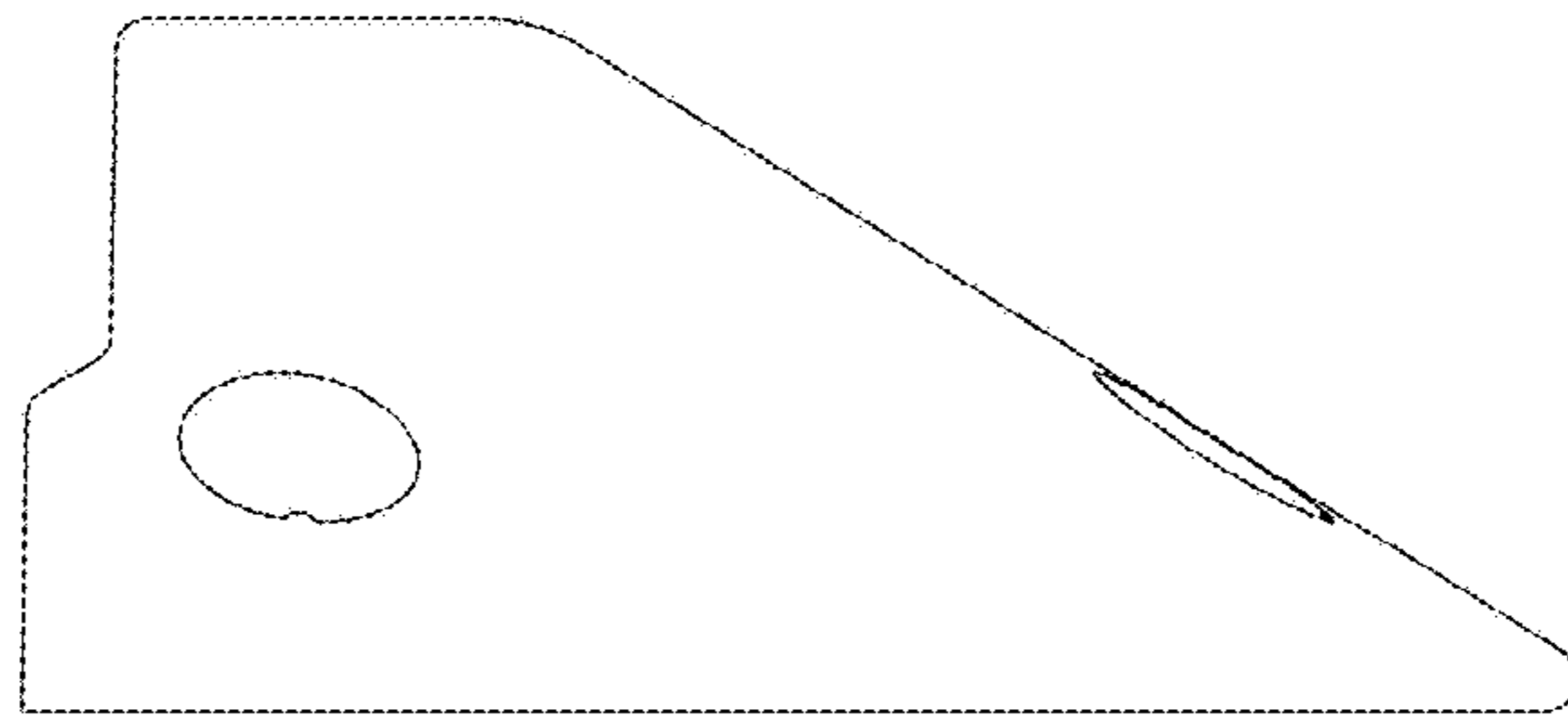


FIG. 4

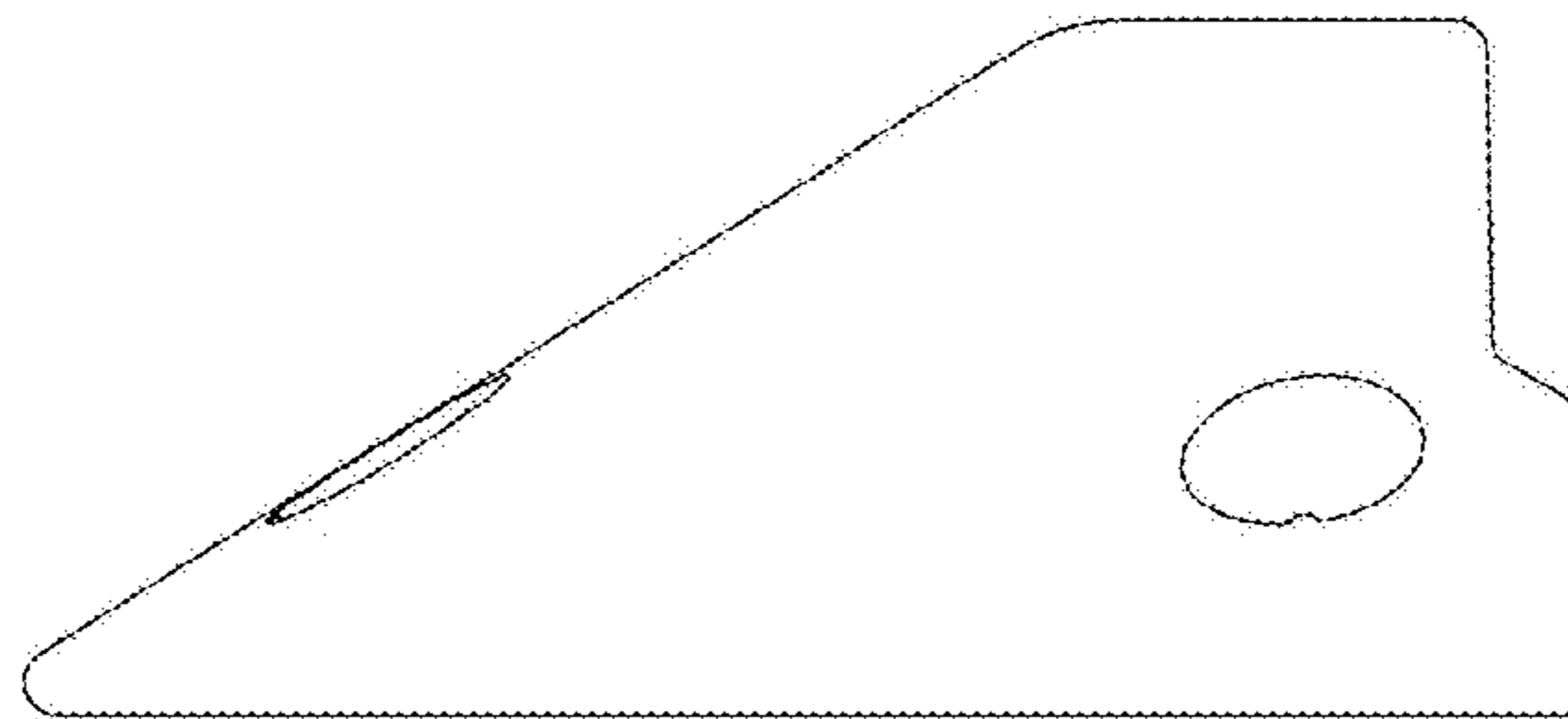


FIG. 5

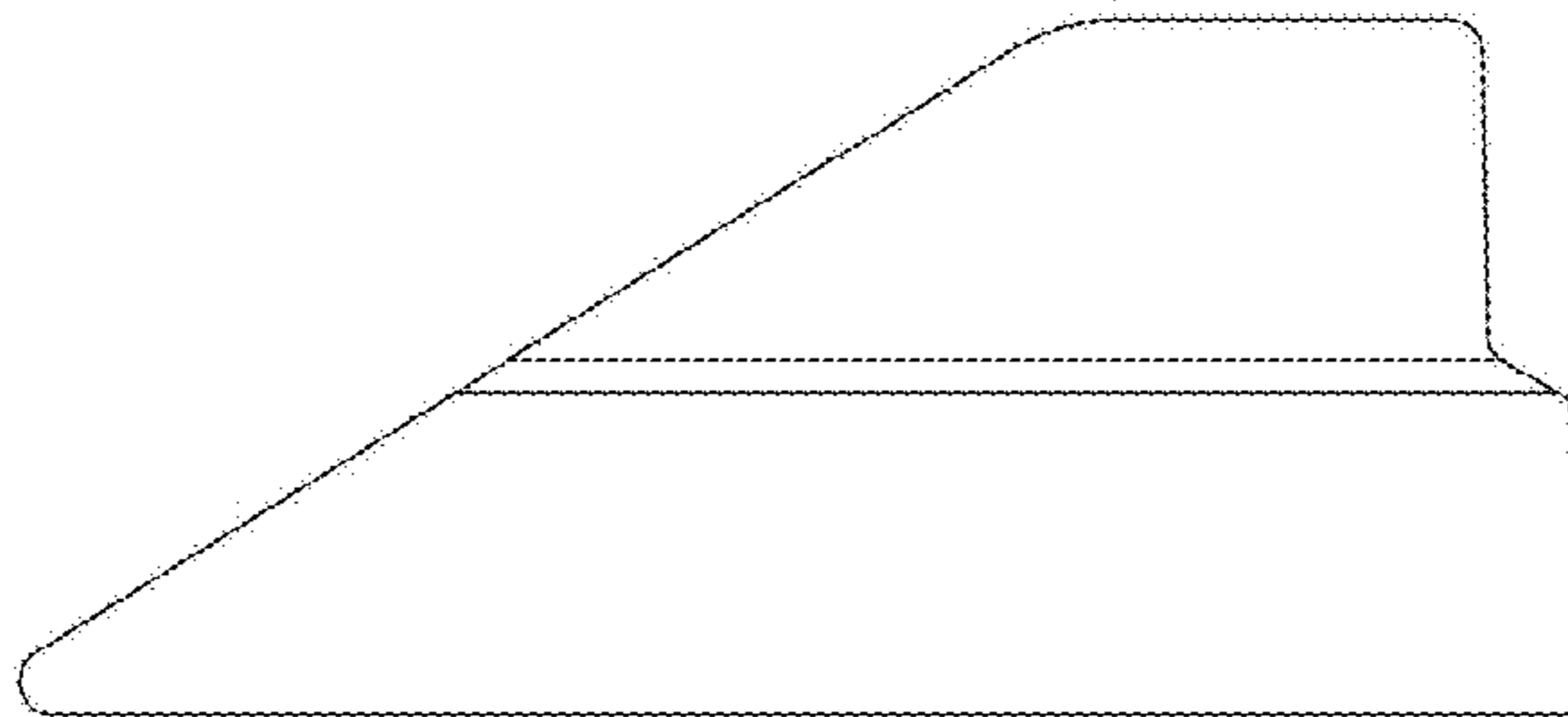


FIG. 6

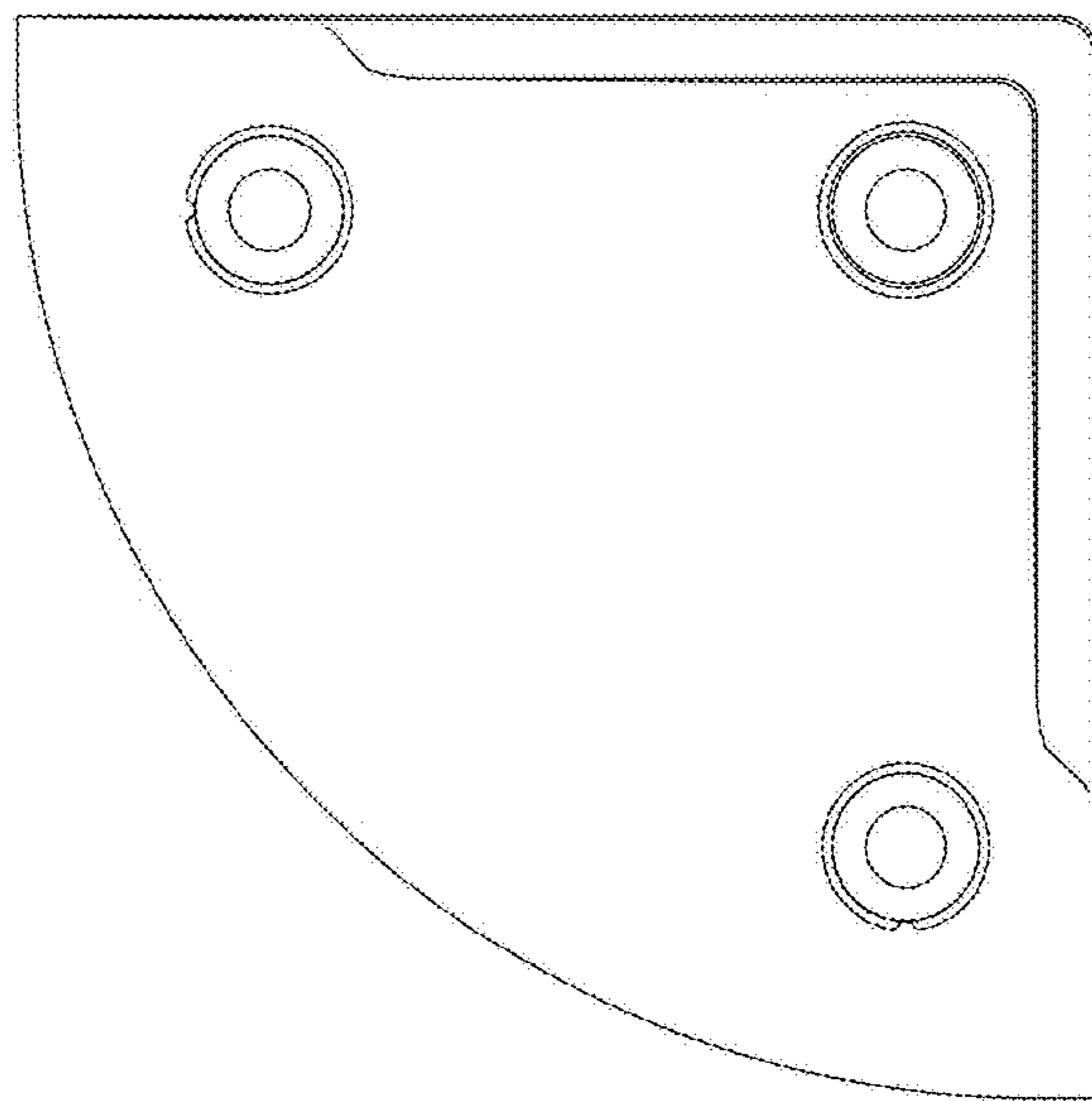


FIG. 7

