



US00D854955S

(12) **United States Design Patent**
Hong

(10) **Patent No.:** **US D854,955 S**

(45) **Date of Patent:** **** Jul. 30, 2019**

(54) **DIGITAL SCALE**

4,856,605 A * 8/1989 Cornelius G01G 23/007
177/210 R

(71) Applicant: **Anhui UNI Electronic Technology Co., Ltd, Anhui (CN)**

D312,051 S * 11/1990 Meixner D10/91
D775,540 S * 1/2017 Marmier D10/91

(72) Inventor: **Peiguang Hong, Anhui (CN)**

* cited by examiner

(**) Term: **15 Years**

Primary Examiner — Antoine Duval Davis

(21) Appl. No.: **29/630,178**

(74) *Attorney, Agent, or Firm* — Prakash Nama; Global IP Services, PLLC

(22) Filed: **Dec. 19, 2017**

(30) **Foreign Application Priority Data**

(57) **CLAIM**

Aug. 17, 2017 (CN) 2017 3 0379109

The ornamental design for a digital scale, as shown and described.

(51) **LOC (11) Cl.** **10-04**

(52) **U.S. Cl.**
USPC **D10/91**

(58) **Field of Classification Search**
USPC D10/91
CPC G01G 1/18; G01G 1/185; G01G 1/20;
G01G 1/22; G01G 1/24; G01G 1/243;
G01G 1/246; G01G 1/26; G01G 1/28;
G01G 1/29; G01G 1/30; G01G 1/32;
G01G 1/34; G01G 1/36; G01G 1/38;
G01G 1/40; G01G 1/42

DESCRIPTION

See application file for complete search history.

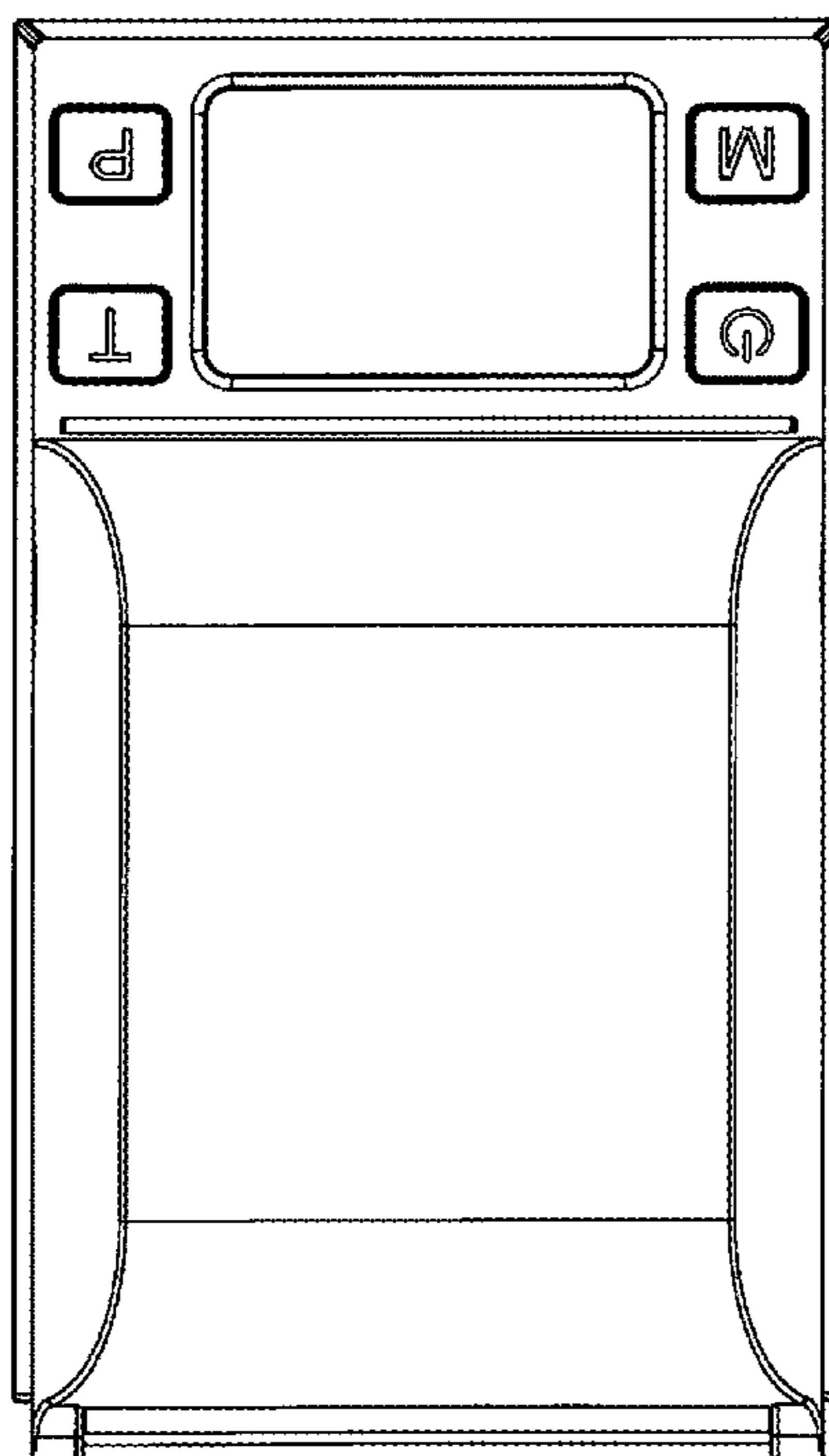
FIG. 1 is a front elevational view of a digital scale showing my new design;
FIG. 2 is a rear elevational view thereof;
FIG. 3 is a left side view thereof;
FIG. 4 is a right side view thereof;
FIG. 5 is a top plan view thereof;
FIG. 6 is a bottom plan view thereof;
FIG. 7 is a perspective view thereof; and,
FIG. 8 is a perspective view in opened state.
The broken lines shown in digital scale form no part of the claimed design.

(56) **References Cited**

U.S. PATENT DOCUMENTS

D302,665 S * 8/1989 Busse D10/91

1 Claim, 7 Drawing Sheets



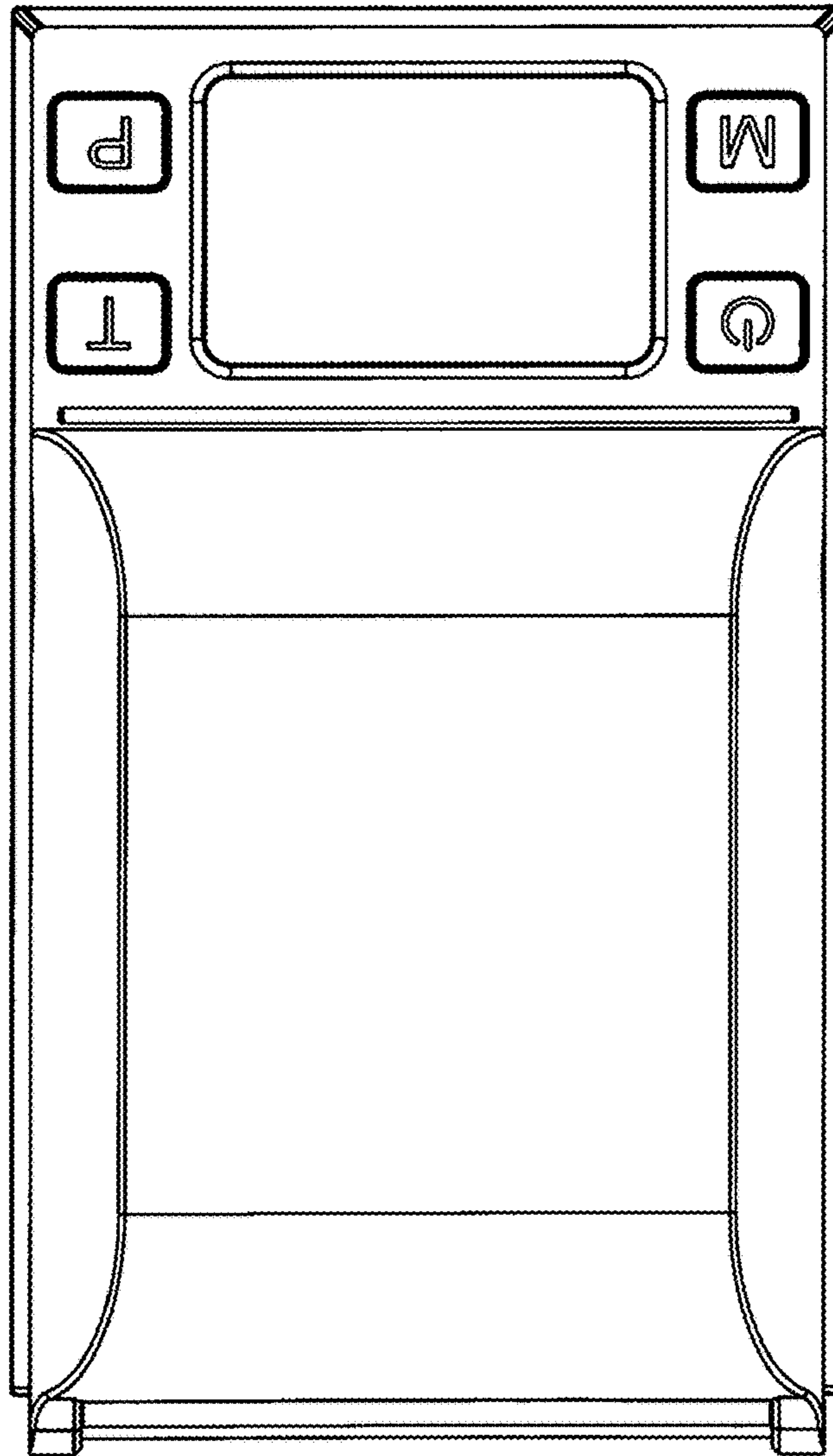


FIG 1

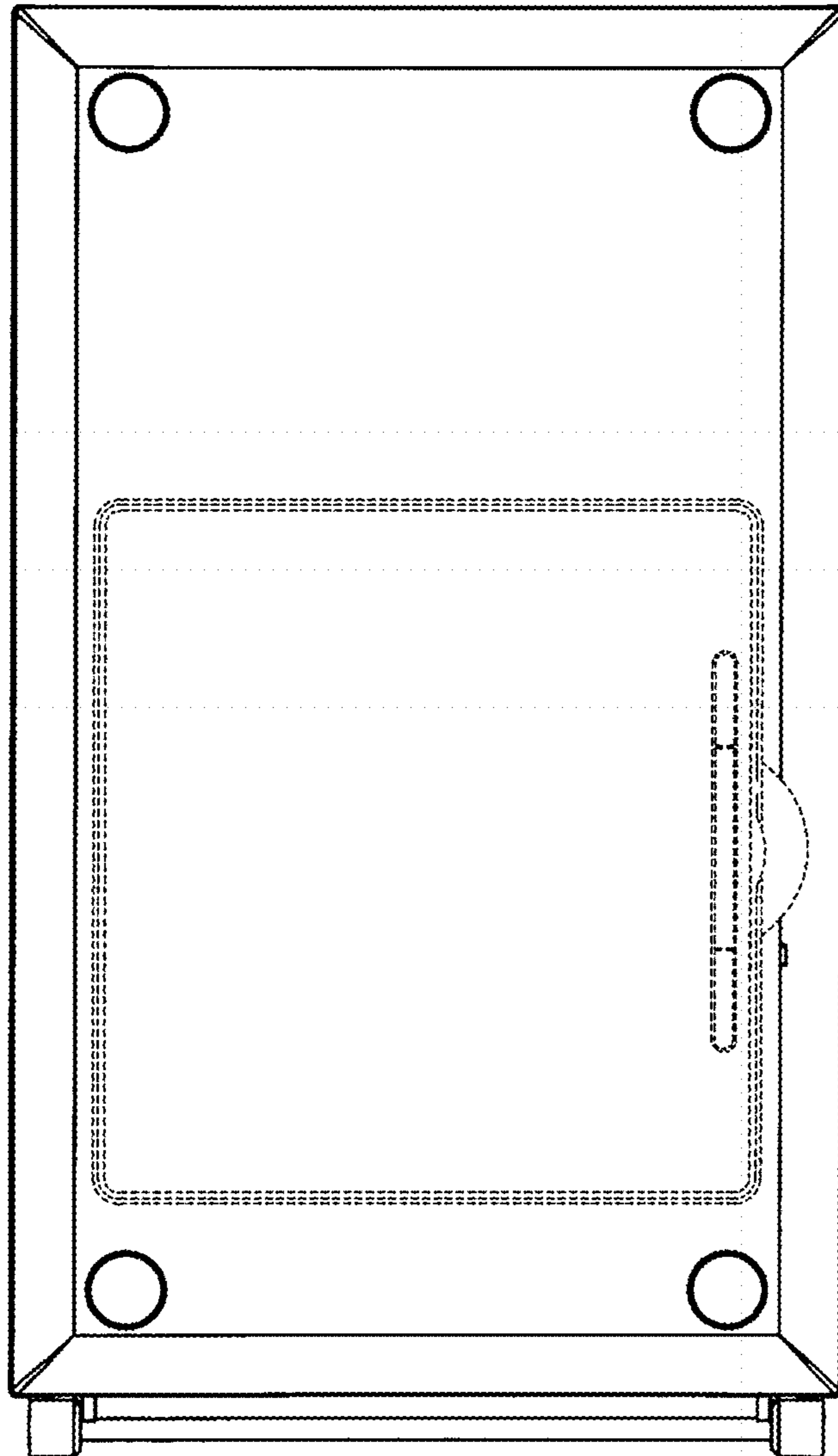


FIG 2

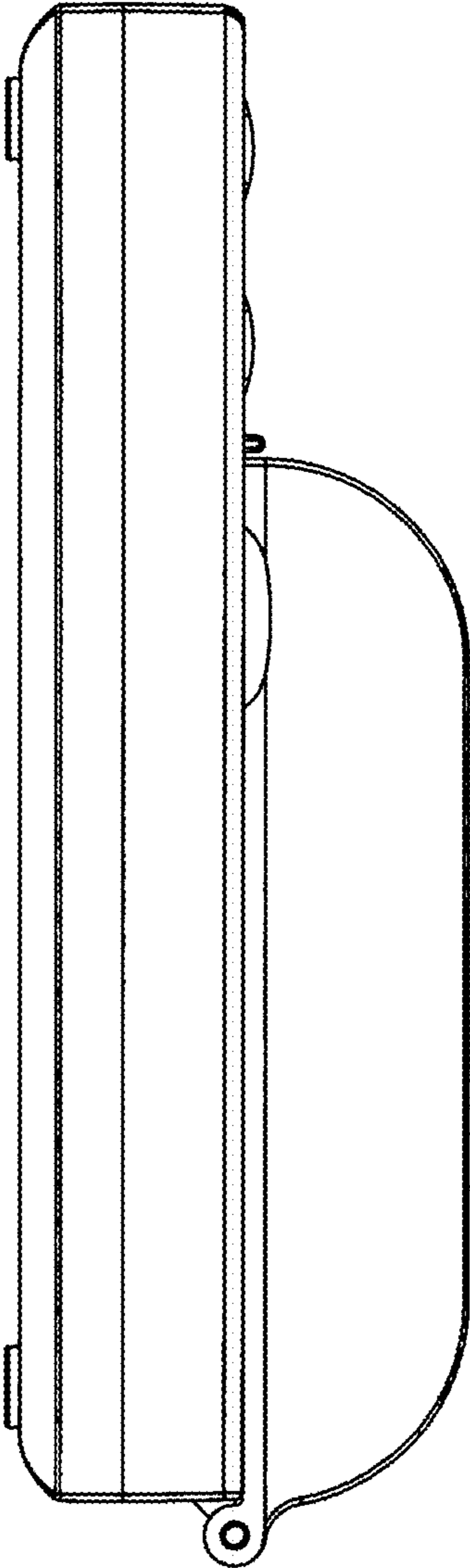


FIG 3

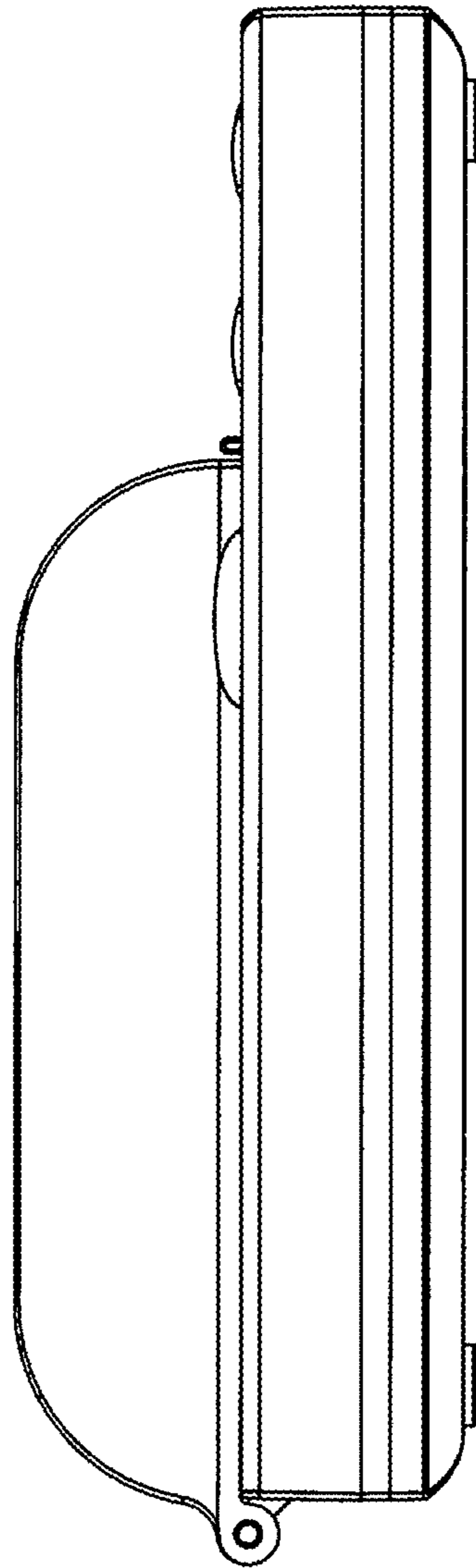


FIG 4

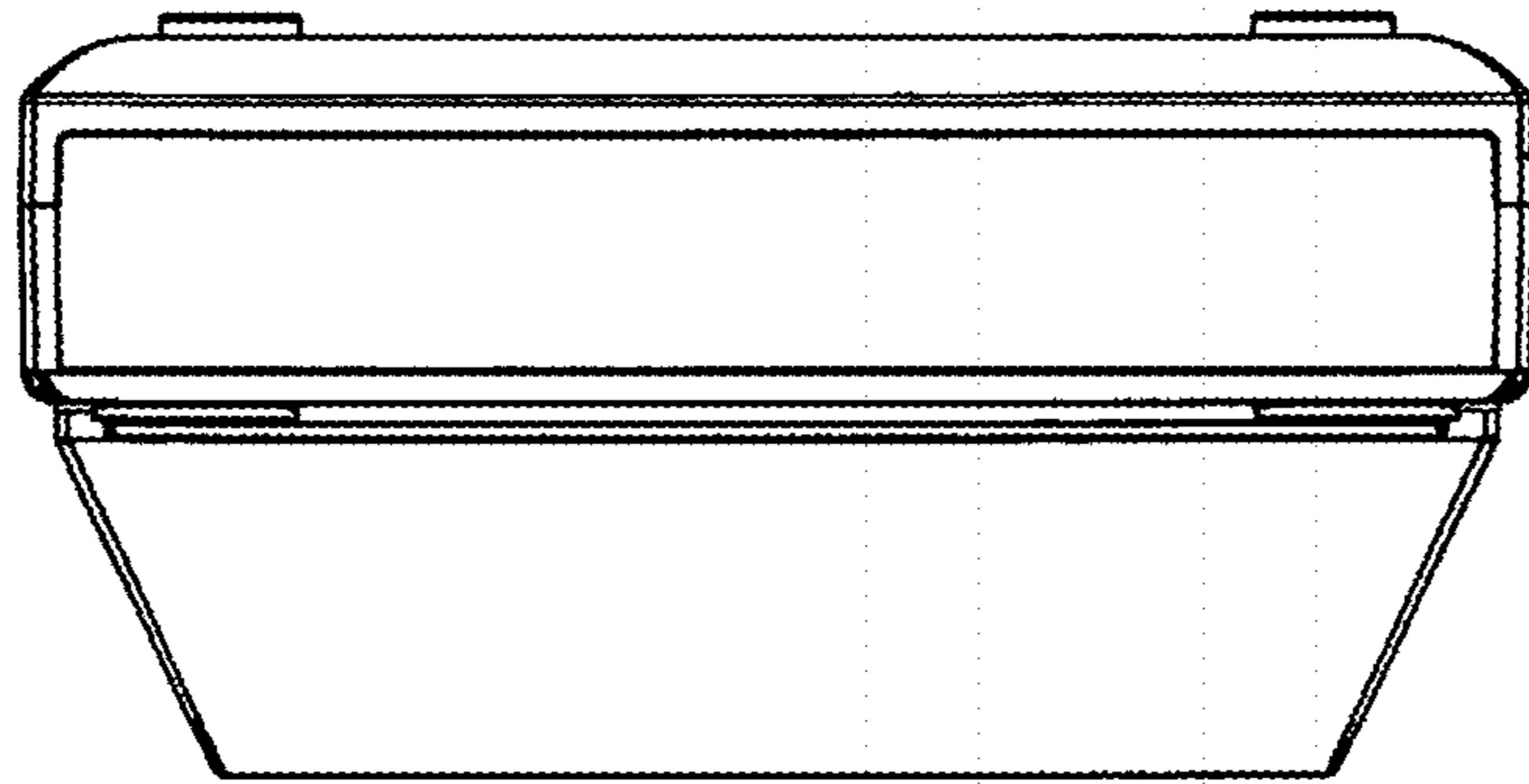


FIG 5

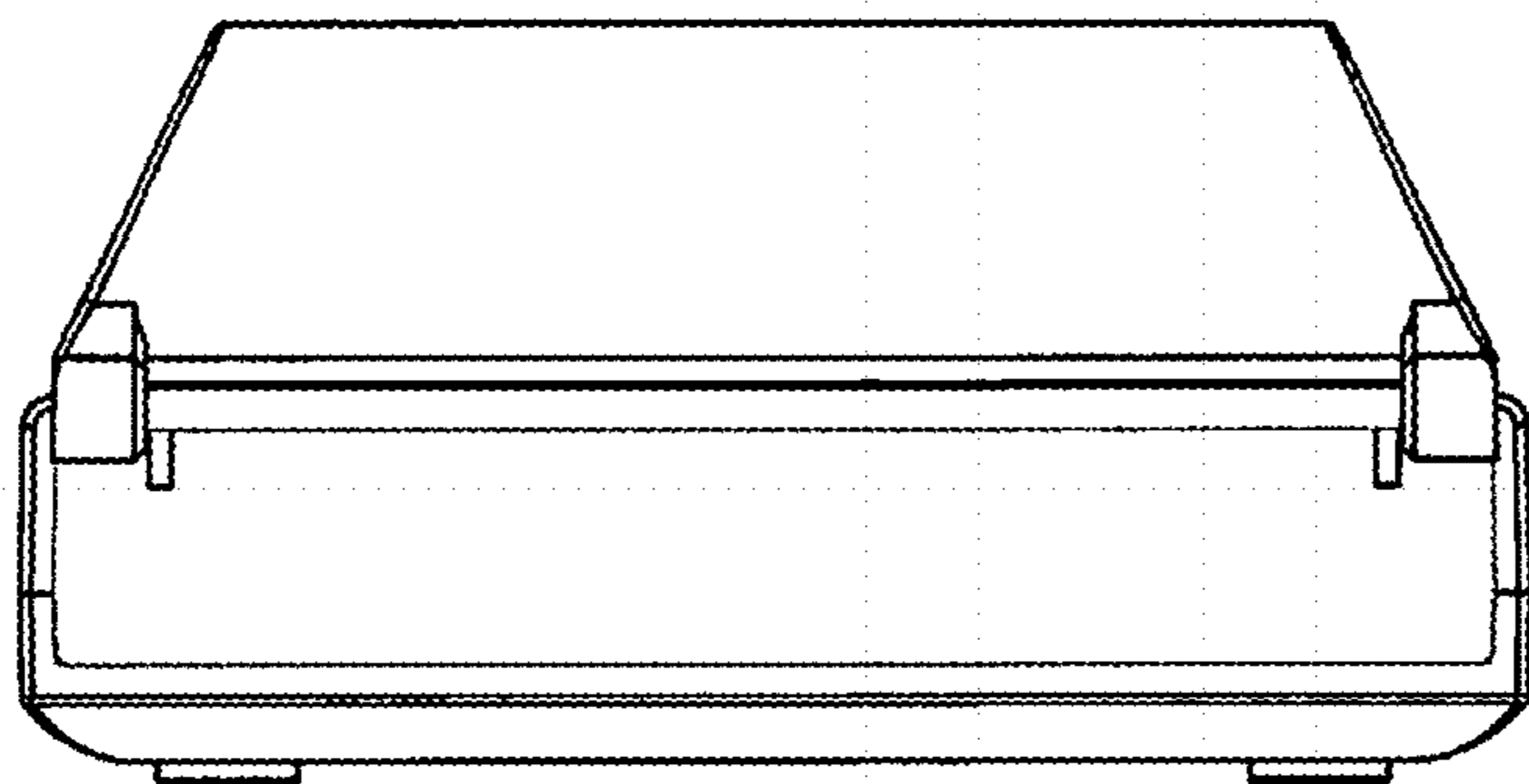


FIG 6

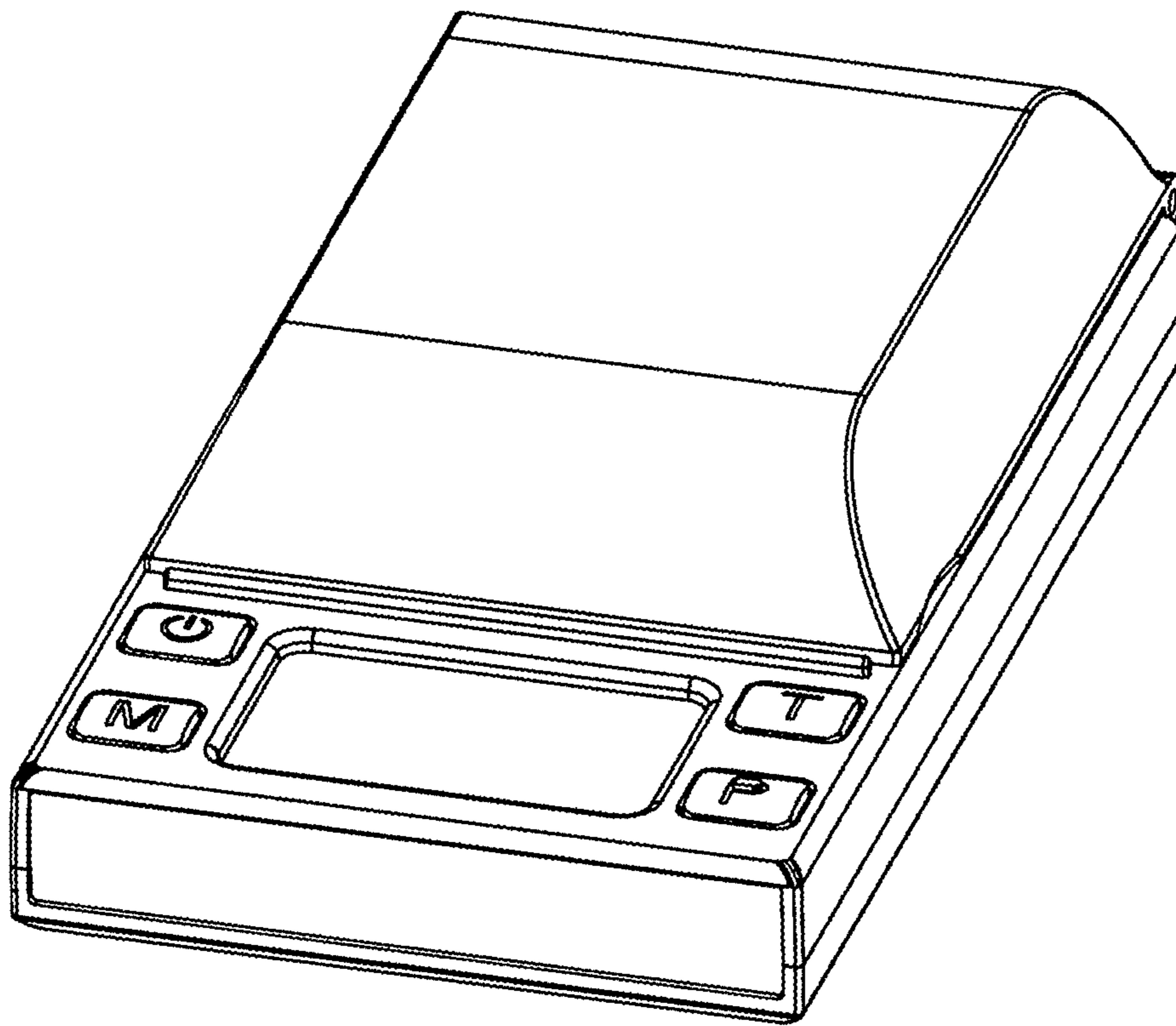


FIG 7

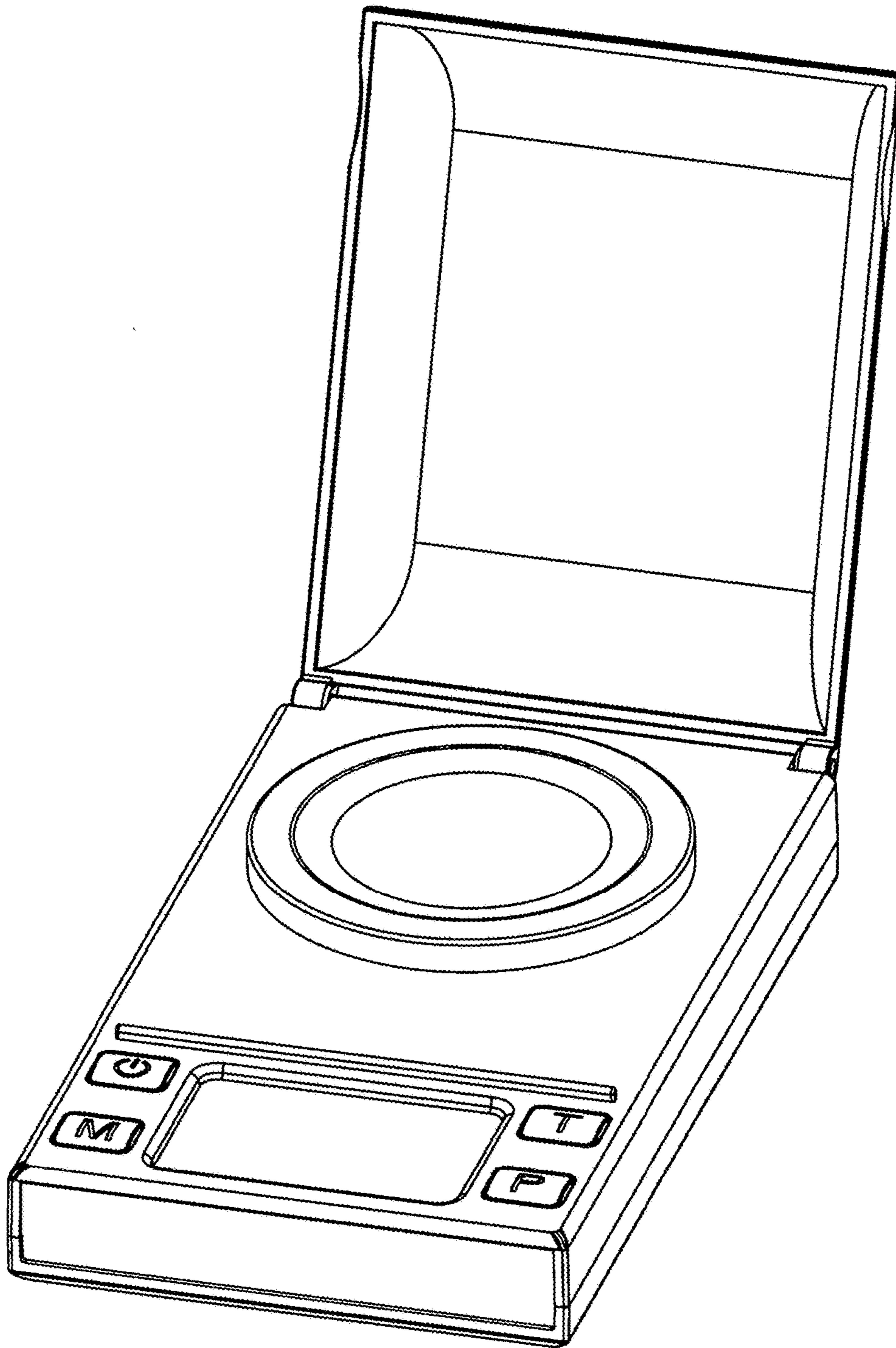


FIG 8