



US00D854953S

(12) **United States Design Patent** (10) **Patent No.:** **US D854,953 S**  
**Blair et al.** (45) **Date of Patent:** **\*\* \*Jul. 30, 2019**

(54) **WIRELESS SENSOR WITH DISPLAY AND WITH BOOT**

(71) Applicant: **Aktiebolaget SKF**, Göteborg (SE)  
 (72) Inventors: **Andrew Blair**, Edinburgh (GB); **Bryan L. Calderwood**, Murrieta, CA (US); **James Glencross**, Edinburgh (GB); **Allan McDougall**, Edinburgh (GB); **Jonathan David Murphy**, Friday Harbor, WA (US)  
 (73) Assignee: **Aktiebolaget SKF**, Göteborg (SE)

(\*) Notice: This patent is subject to a terminal disclaimer.

(\*\*) Term: **15 Years**

(21) Appl. No.: **29/611,866**

(22) Filed: **Jul. 26, 2017**

(30) **Foreign Application Priority Data**

Jan. 27, 2017 (EM) ..... 003718519

(51) **LOC (11) Cl.** ..... **10-04**

(52) **U.S. Cl.**  
USPC ..... **D10/78**

(58) **Field of Classification Search**  
 USPC ..... D10/46, 47, 75, 78, 80, 103  
 CPC .. G01M 99/00; G01M 99/005; G08B 21/187;  
 G06K 7/10366; G06K 19/0719; G06K  
 2017/0077

See application file for complete search history.

(56) **References Cited**

U.S. PATENT DOCUMENTS

D299,318 S *	1/1989	Chiang	.....	D10/103
D358,347 S *	5/1995	Max	.....	D10/46
D371,517 S *	7/1996	Narayanan	.....	G01M 13/028 D10/78
6,513,386 B2 *	2/2003	Barclay	.....	G01M 13/028 73/649
D684,876 S *	6/2013	Laurino	.....	H04W 4/70 D10/78
D691,059 S *	10/2013	Fechner	.....	A61M 5/14244 D10/78
D692,786 S *	11/2013	Fechner	.....	D10/78
D701,130 S *	3/2014	Laurino	.....	D10/78
D731,339 S *	6/2015	Laurino	.....	D10/78
D750,985 S *	3/2016	Wong	.....	D10/78
9,759,636 B2 *	9/2017	Murphy	.....	H04W 4/70
9,775,957 B2 *	10/2017	Despa	.....	A61M 5/14244

\* cited by examiner

*Primary Examiner* — George D. Kirschbaum

*Assistant Examiner* — Joseph J Kukella

(74) *Attorney, Agent, or Firm* — Bryan Peckjian; SKF USA Inc. Patent Dept.

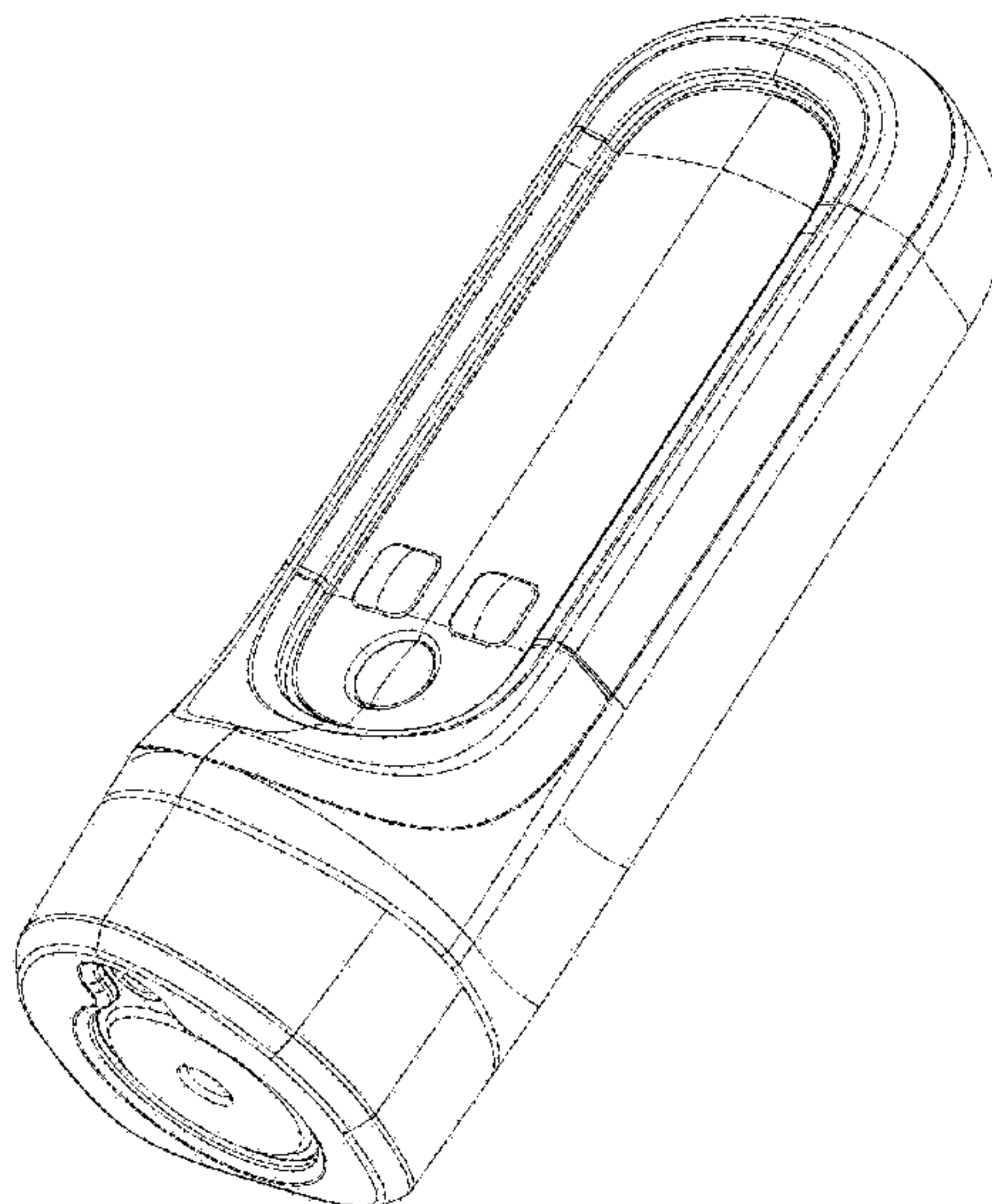
(57) **CLAIM**

We claim the ornamental design for a wireless sensor with display and with boot, as shown and described.

**DESCRIPTION**

FIG. 1 is an isometric front, bottom view of a first embodiment of a wireless sensor with display and with boot; and, FIG. 2 is an isometric rear, top view thereof.

**1 Claim, 2 Drawing Sheets**



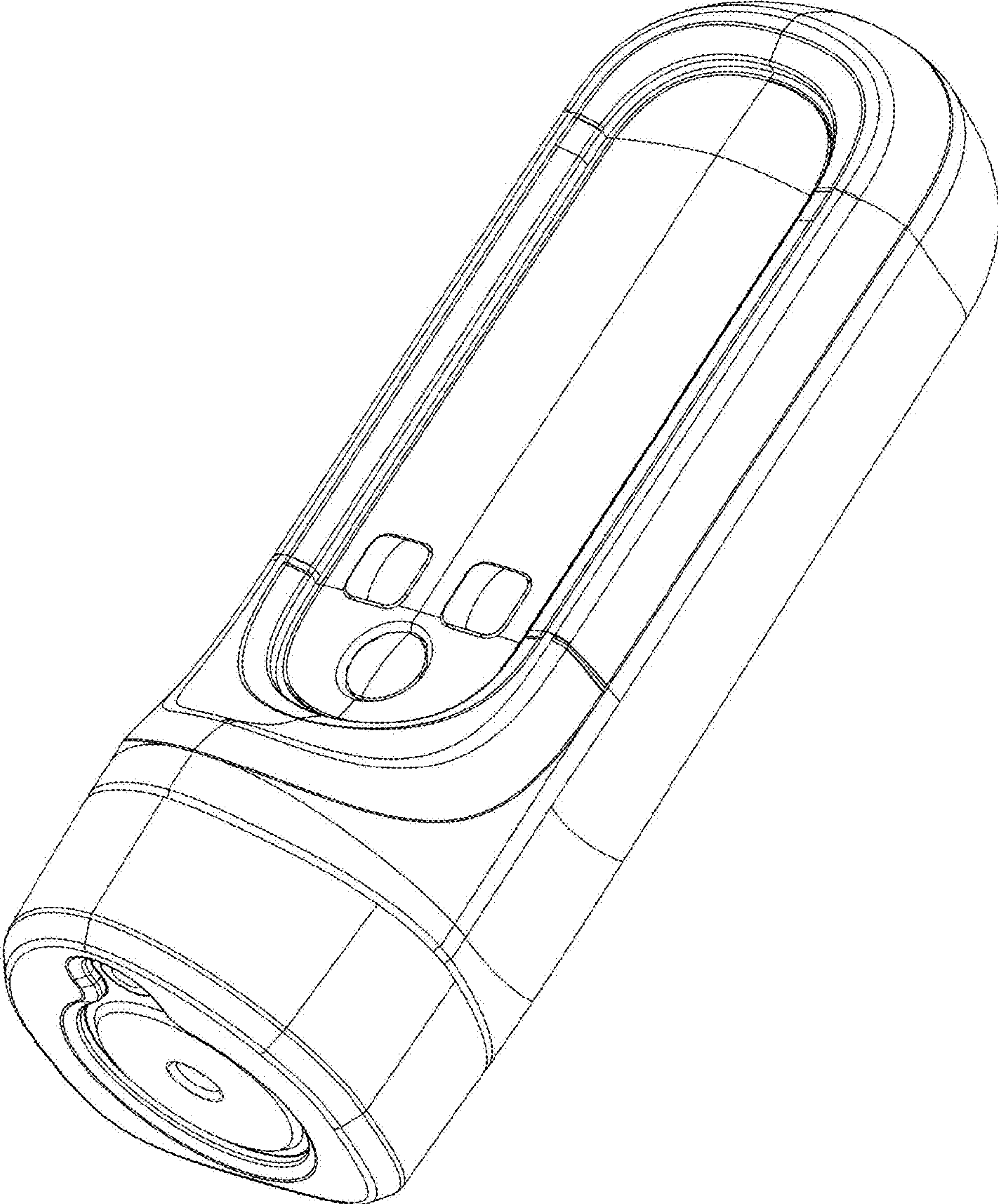


FIG. 1

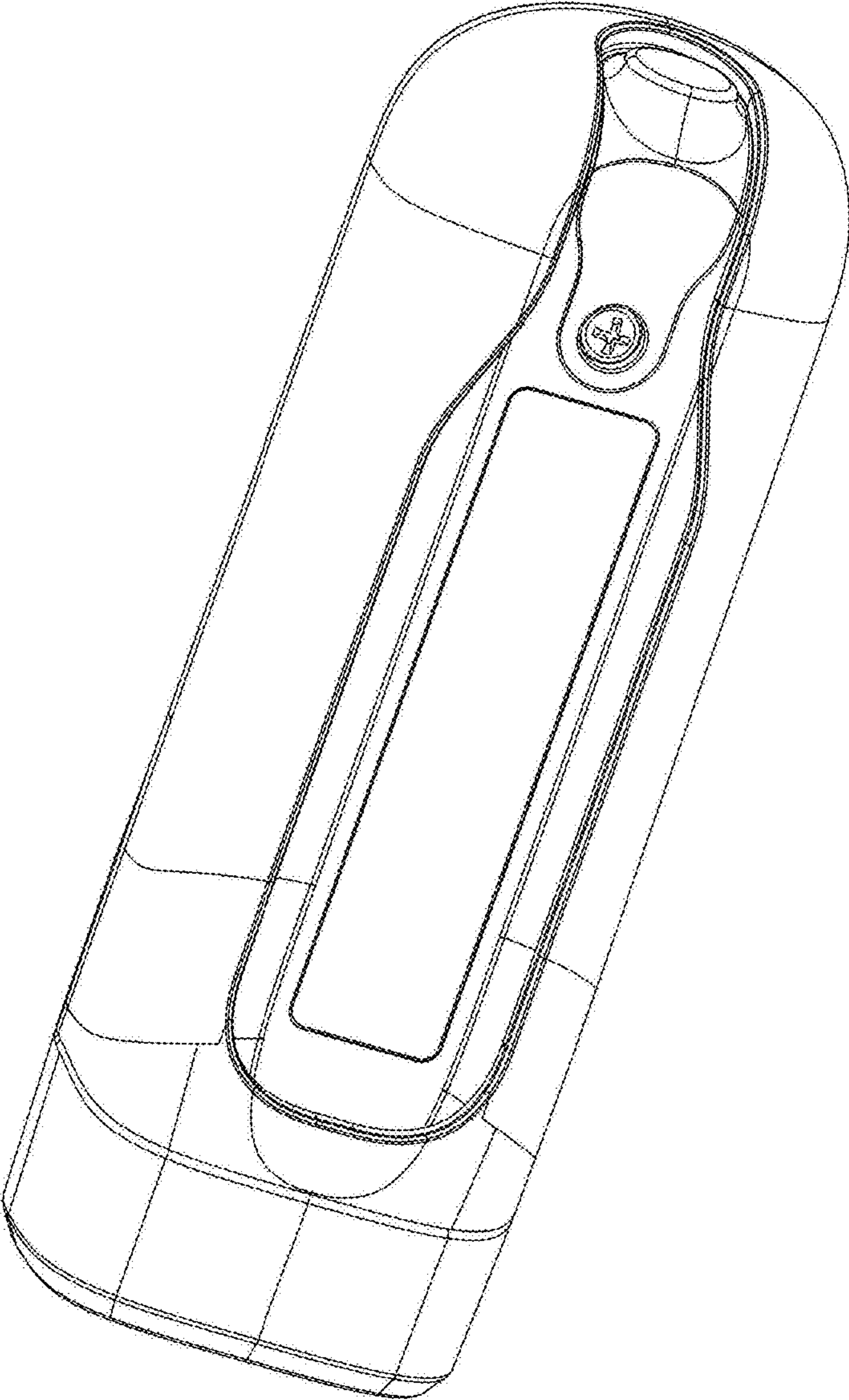


FIG. 2