



US00D854952S

(12) **United States Design Patent** (10) **Patent No.:** **US D854,952 S**
Wojciechowski et al. (45) **Date of Patent:** **** Jul. 30, 2019**

- (54) **SLIDING T-BEVEL**
- (71) Applicant: **Diamond Tech LLC**, Carson City, NV (US)
- (72) Inventors: **Timothy J. Wojciechowski**, Hubertus, WI (US); **David Mencil**, Menomonee Falls, WI (US)
- (73) Assignee: **Diamond Tech LLC**, Carson City, NV (US)
- (**) Term: **15 Years**
- (21) Appl. No.: **29/623,141**
- (22) Filed: **Oct. 23, 2017**
- (51) **LOC (11) Cl.** **10-04**
- (52) **U.S. Cl.**
USPC **D10/74**
- (58) **Field of Classification Search**
USPC D8/14, 106; D10/65, 74
CPC B25H 7/00; B43L 7/12; G01B 3/56
See application file for complete search history.

597,464	A *	1/1898	Girton	33/460
663,349	A *	12/1900	Lenhart, Jr.	33/473
708,533	A *	9/1902	Cullman	D10/65
1,275,822	A *	9/1918	Zumwalt	33/495
5,359,782	A	11/1994	Langmaid		
7,243,436	B2	7/2007	Casner et al.		
8,607,465	B1	12/2013	Edwards		

* cited by examiner

Primary Examiner — Antoine Duval Davis
 (74) *Attorney, Agent, or Firm* — Boyle Fredrickson, S.C.

(57) **CLAIM**

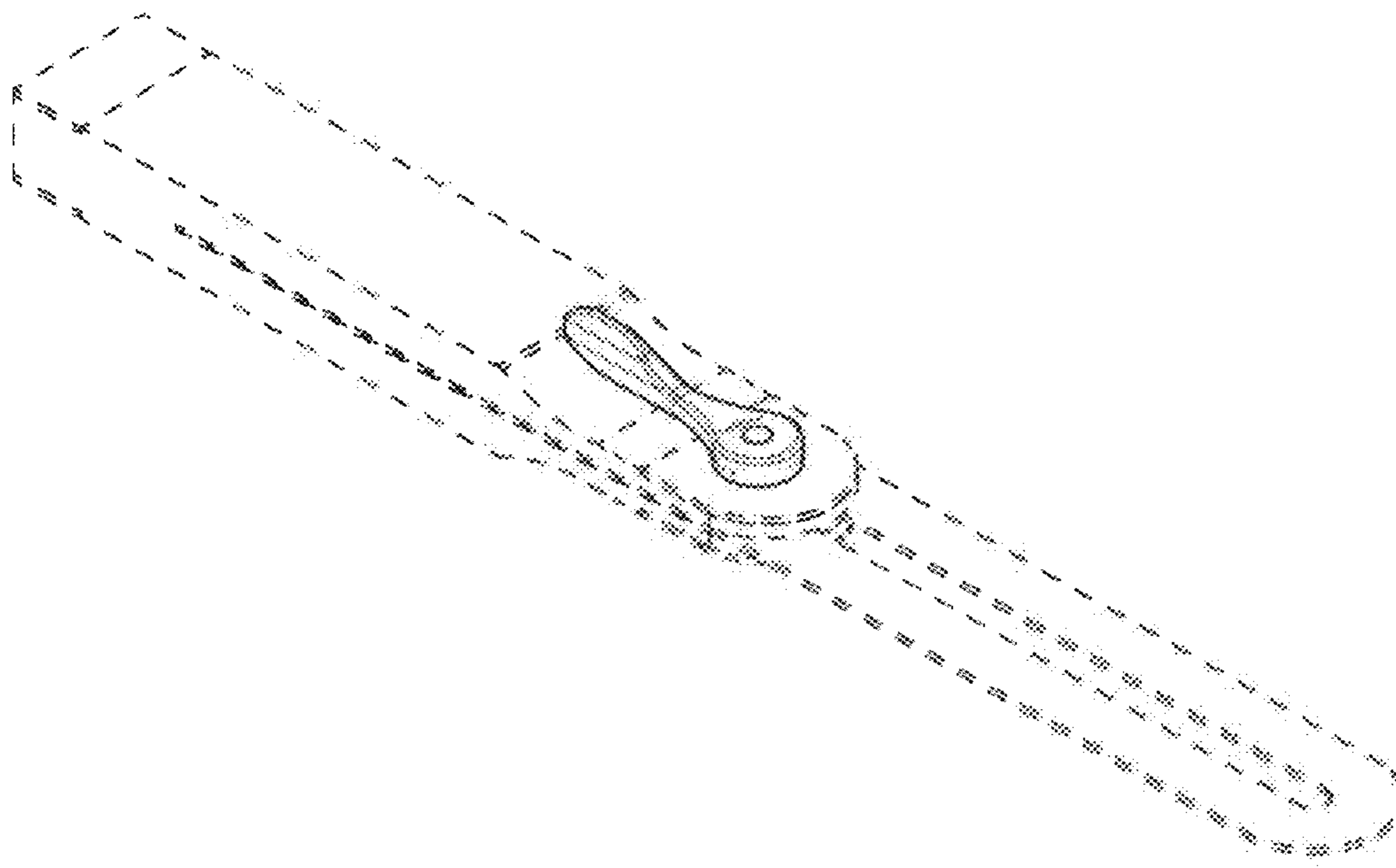
The ornamental design of a sliding T-bevel, as shown and described.

DESCRIPTION

FIG. 1 is an isometric view of a sliding T-bevel incorporating our new design, wherein the portions in phantom form no part of the claimed design;
 FIG. 2 is first side elevation view thereof, wherein the second side elevation view is a mirror image;
 FIG. 3 is a top plan view thereof;
 FIG. 4 is a bottom plan view thereof;
 FIG. 5 is a first end elevation view thereof;
 FIG. 6 is a second end elevation view thereof; and,
 FIG. 7 is a view similar to FIG. 8, showing adjustment of the position of the blade of the sliding T-bevel when in use.

1 Claim, 6 Drawing Sheets

- (56) **References Cited**
 U.S. PATENT DOCUMENTS
 268,560 A * 12/1882 Smith et al. 33/473
 537,473 A 4/1895 Morton



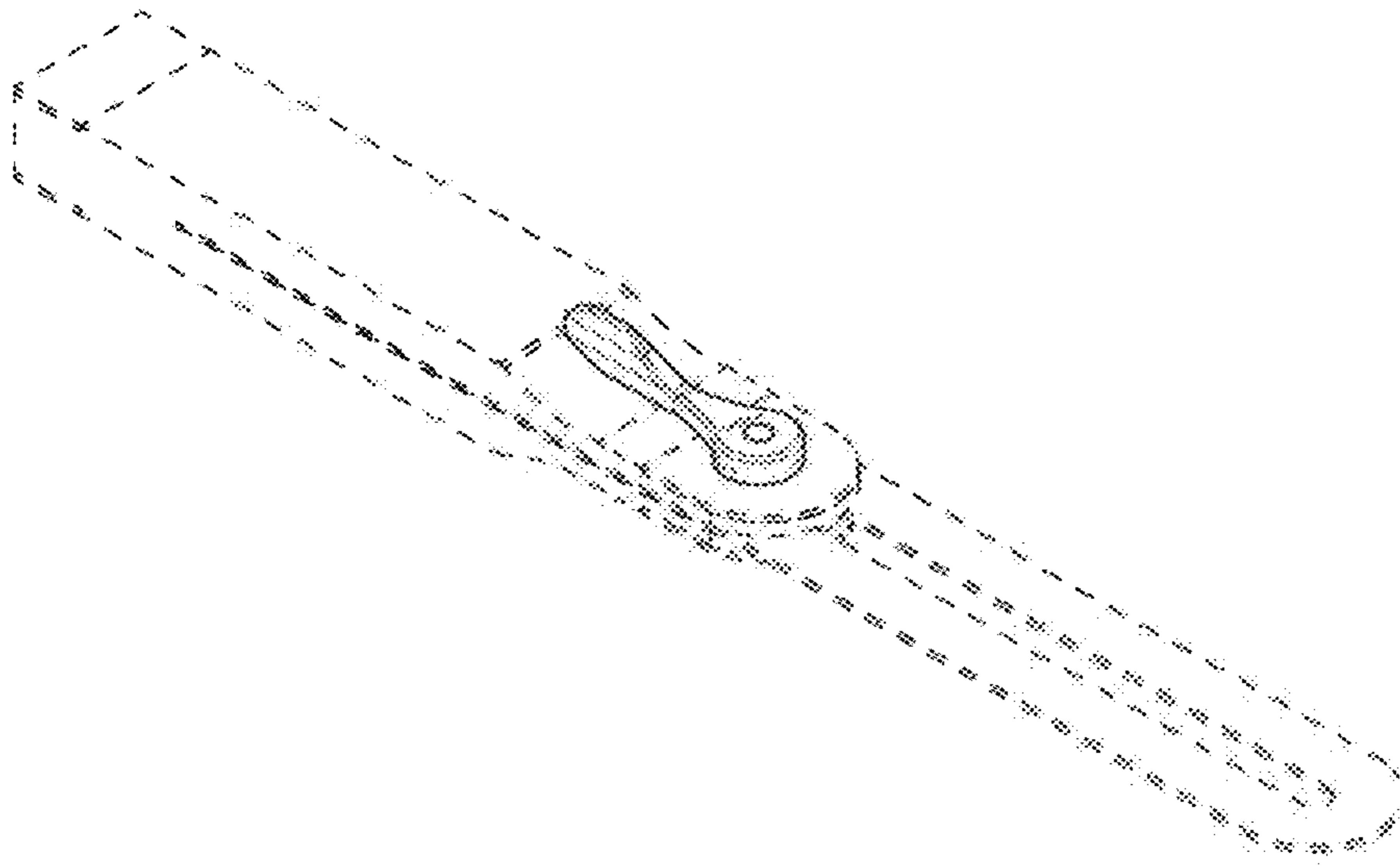


Fig. 1

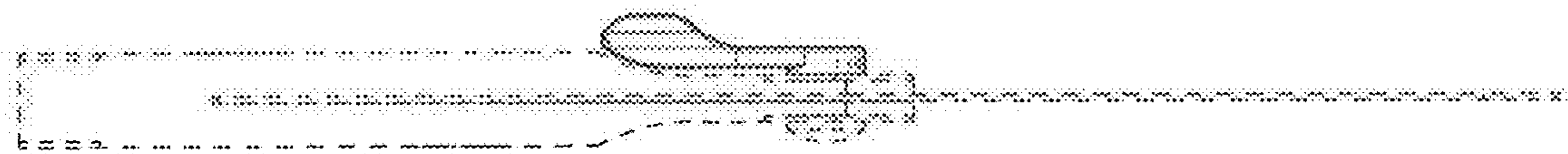


Fig. 2

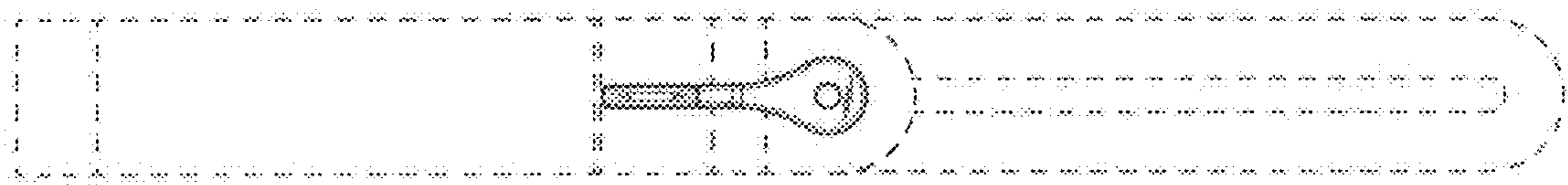


Fig. 3

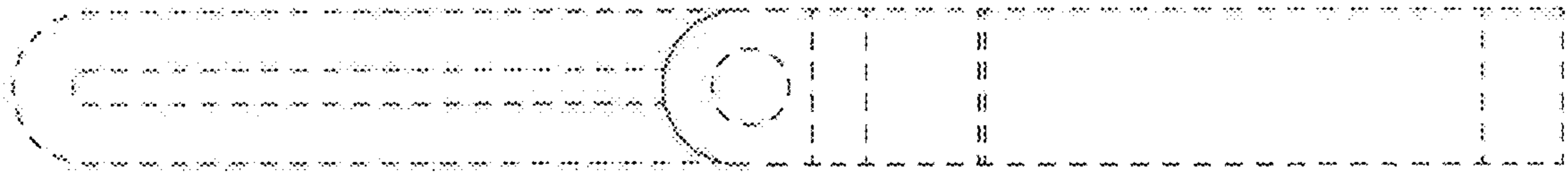


Fig. 4

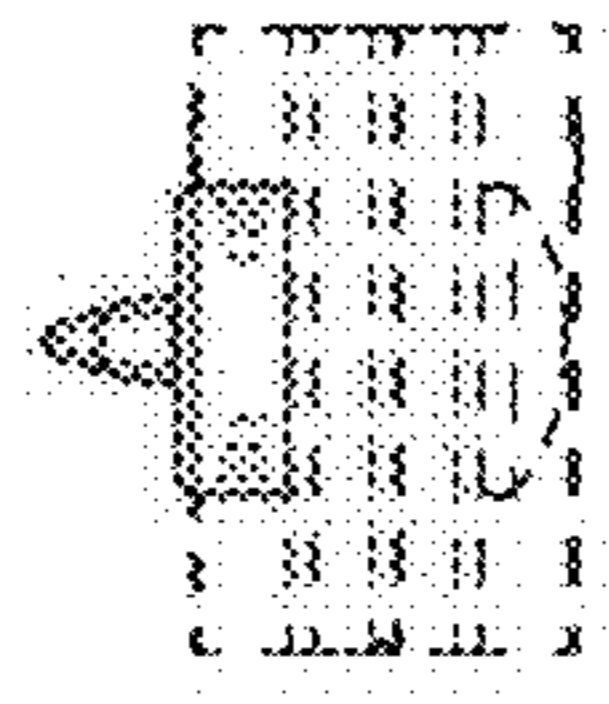


Fig. 5



Fig. 6

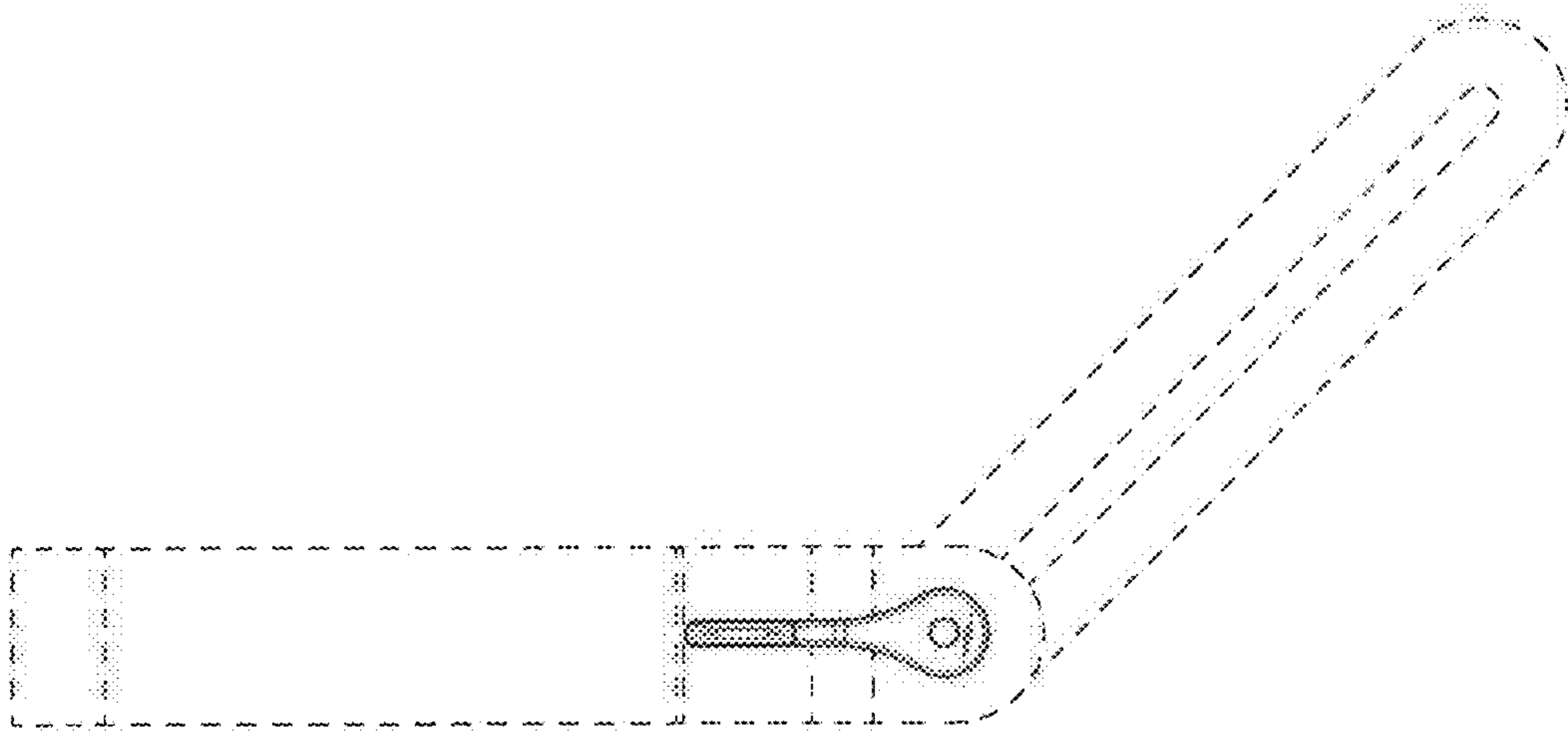


Fig. 7

UNITED STATES PATENT AND TRADEMARK OFFICE
CERTIFICATE OF CORRECTION

PATENT NO. : D854,952 S
APPLICATION NO. : 29/623141
DATED : July 30, 2019
INVENTOR(S) : Timothy J. Wojciechowski et al.


Page 1 of 1

It is certified that error appears in the above-identified patent and that said Letters Patent is hereby corrected as shown below:

On the Title Page

Column 2, Line 10 of the Figure Descriptions, in the description for Fig. 7, delete "Fig. 8" and substitute therefor -- Fig. 1. --.

Signed and Sealed this
First Day of October, 2019



Andrei Iancu
Director of the United States Patent and Trademark Office