



US00D854950S

(12) **United States Design Patent** (10) **Patent No.:** **US D854,950 S**
Seum et al. (45) **Date of Patent:** **** Jul. 30, 2019**

(54) **WATER SENSOR**

33/0031; G01N 33/0032; G01M 3/16;
G01M 3/38

See application file for complete search history.

(71) Applicant: **Grohe AG**, Hemer (DE)

(56) **References Cited**

(72) Inventors: **Michael Seum**, Duesseldorf (DE);
Beguem Tomruk, Duesseldorf (DE)

U.S. PATENT DOCUMENTS

(73) Assignee: **Grohe AG**, Hemer (DE)

D758,228 S *	6/2016	Harck	D10/101
D764,320 S *	8/2016	Li	D10/50
D795,092 S *	8/2017	Trishaun	D10/52
D817,793 S *	5/2018	Vu	D10/70
D827,456 S *	9/2018	Seum	D10/56
D830,856 S *	10/2018	Golnik	D10/30
D839,755 S *	2/2019	Du	D10/52

(**) Term: **15 Years**

* cited by examiner

(21) Appl. No.: **29/616,930**

Primary Examiner — Antoine Duval Davis

(22) Filed: **Sep. 11, 2017**

(74) *Attorney, Agent, or Firm* — Muncy, Geissler, Olds & Lowe, P.C.

(30) **Foreign Application Priority Data**

(57) **CLAIM**

Mar. 10, 2017 (EM) 003793389-0002

The ornamental design for a water sensor, as shown and described.

Mar. 10, 2017 (EM) 003793389-0003

DESCRIPTION

(51) **LOC (11) Cl.** **10-04**

FIG. 1 is a front perspective view of a water sensor according to the present invention.

(52) **U.S. Cl.**

FIG. 2 is a front view of the water sensor of FIG. 1.

USPC **D10/53**; D10/101; D10/103

FIG. 3 is a rear view of the water sensor of FIG. 1.

(58) **Field of Classification Search**

USPC D10/46, 52, 53, 56, 101, 102, 103

FIG. 4 is a left side view of the water sensor of FIG. 1.

CPC G08B 21/02; G08B 21/18; G08B 21/182;

FIG. 5 is a right side view of the water sensor of FIG. 1.

G08B 21/20; G08B 3/00; G08B 19/00;

FIG. 6 is a top view of the water sensor of FIG. 1; and,

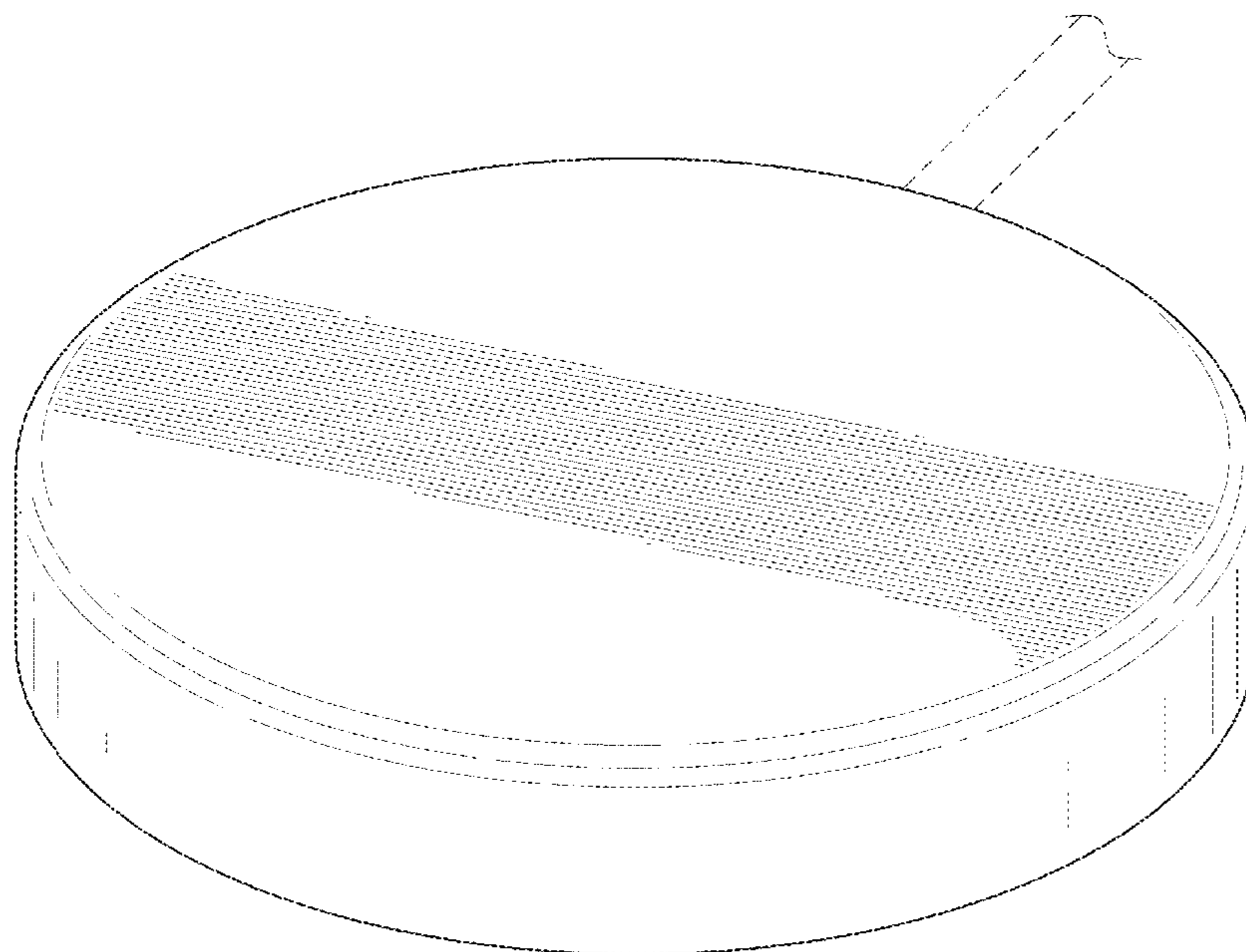
G08B 19/02; G01D 7/00; G01D 11/24;

FIG. 7 is a bottom view of the water sensor of FIG. 1.

G01D 11/245; G01F 1/00; G01N

The dashed lines illustrate environment that does not form a part of the present invention, and no claim is made to the material illustrated with dashed lines.

1 Claim, 7 Drawing Sheets



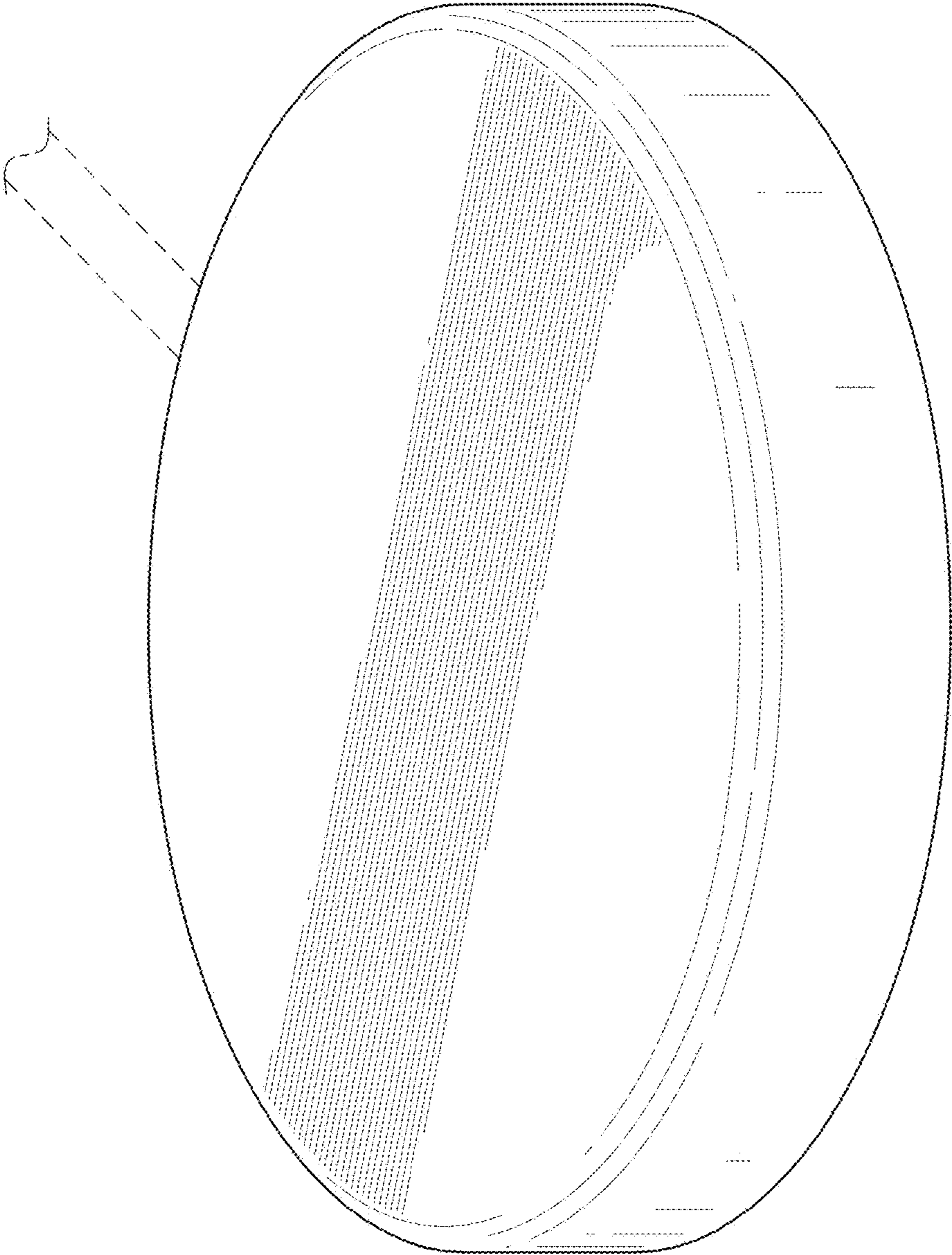


FIG.1

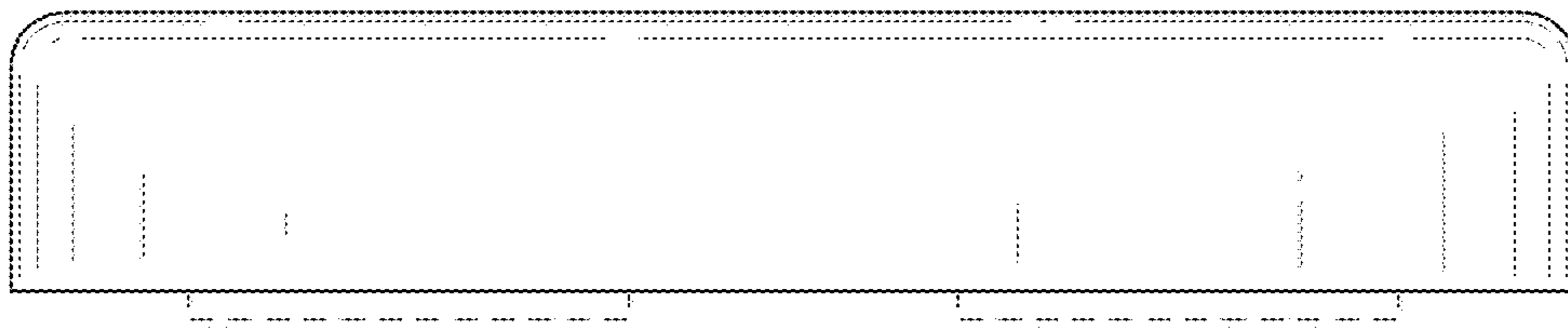


FIG.2

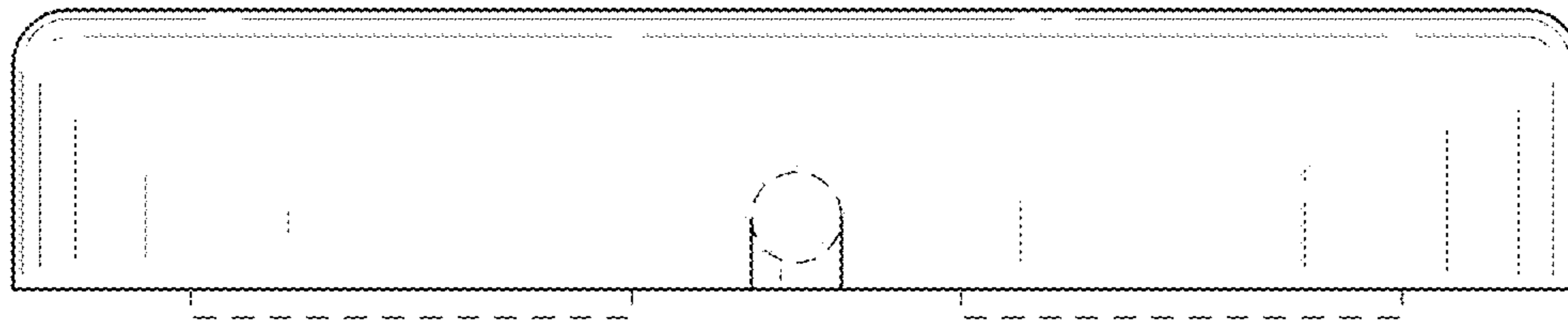


FIG.3

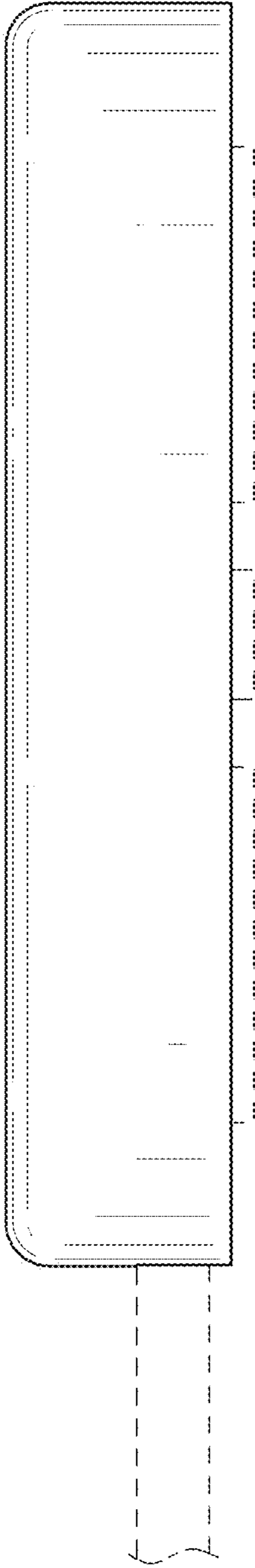


FIG.4

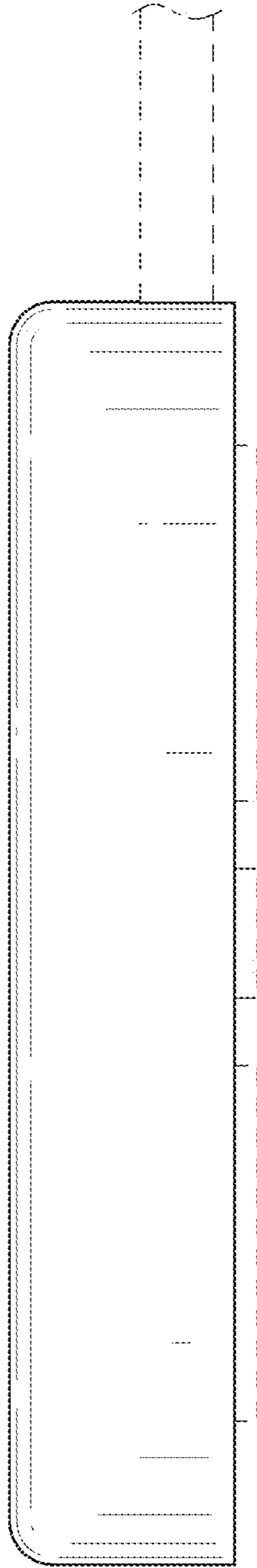


FIG.5

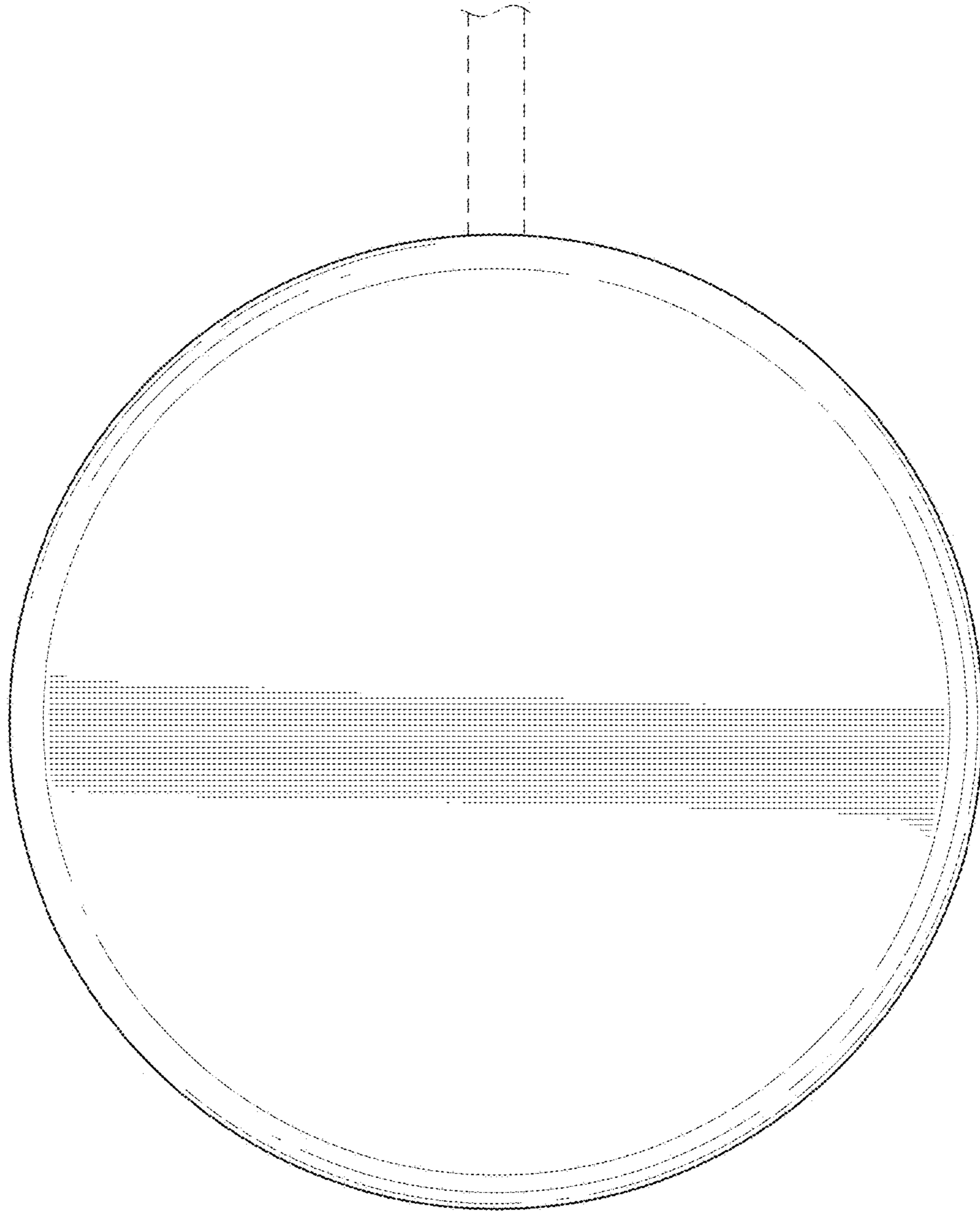


FIG.6

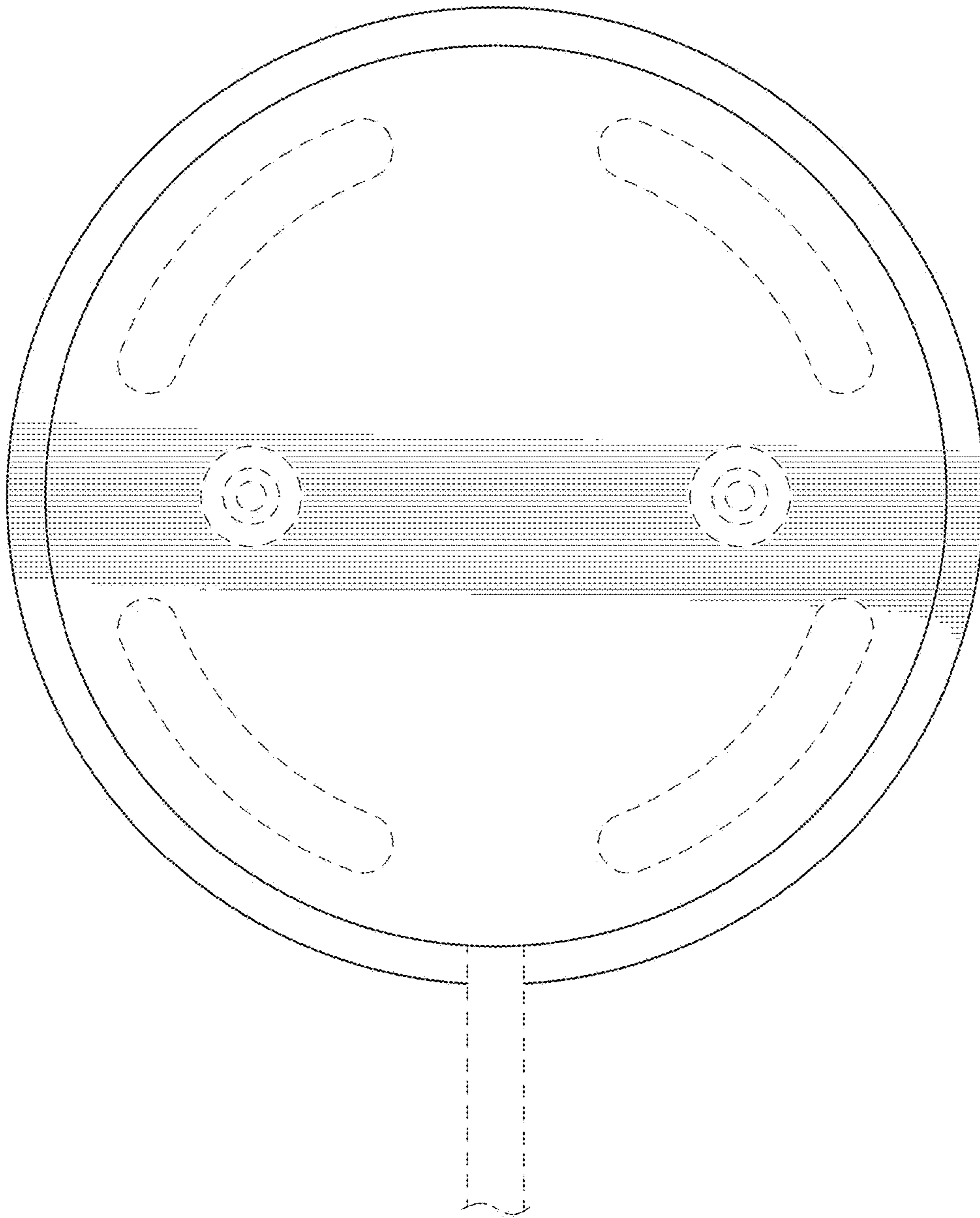


FIG. 7