



US00D854949S

(12) **United States Design Patent**
Klipshtein

(10) **Patent No.:** **US D854,949 S**
(45) **Date of Patent:** **** Jul. 30, 2019**

(54) **MEASURING CUP SET WITH BALANCE**

(71) Applicant: **Hutzler Manufacturing Co., Inc.**,
Canaan, CT (US)

(72) Inventor: **Guy Klipshtein**, Givatayim (IL)

(73) Assignee: **Hutzler Manufacturing Co., Inc.**,
Canaan, CT (US)

(**) Term: **15 Years**

(21) Appl. No.: **29/639,433**

(22) Filed: **Mar. 6, 2018**

(51) **LOC (11) Cl.** **10-04**

(52) **U.S. Cl.**
USPC **D10/46.3**

(58) **Field of Classification Search**
USPC D7/653, 692, 691; D10/46.2, 46.3;
D24/116

(Continued)

(56) **References Cited**

U.S. PATENT DOCUMENTS

3,030,812 A * 4/1962 Lutz G01F 19/002
30/324
D268,244 S * 3/1983 Morin D7/691

(Continued)

Primary Examiner — Brett Miller

(74) *Attorney, Agent, or Firm* — Patent Technologies,
LLC; Robert Dale Gunderman

(57) **CLAIM**

The ornamental design for a measuring cup set with balance,
as shown and described.

DESCRIPTION

FIG. 1 is a top perspective view of a measuring cup set with
balance showing my new design in a nested configuration;

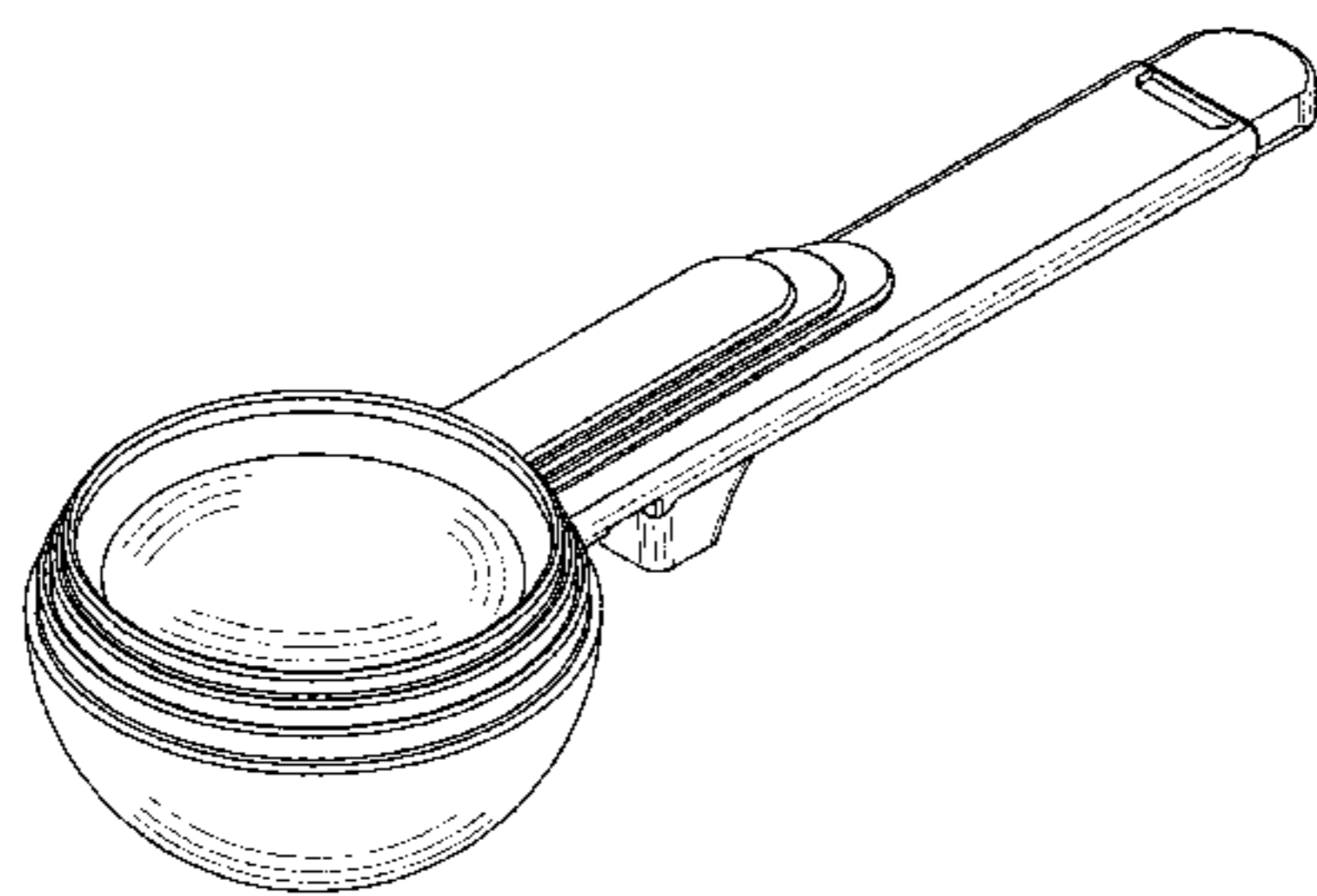


FIG. 2 is a bottom perspective view of the measuring cup set
with balance in a nested configuration;
FIG. 3 is a top plan view of the measuring cup set with
balance in a nested configuration;
FIG. 4 is a bottom plan view of the measuring cup set with
balance in a nested configuration;
FIG. 5 is a side plan view of the measuring cup set with
balance in a nested configuration;
FIG. 6 is an alternate side plan view of the measuring cup
set with balance in a nested configuration;
FIG. 7 is an end plan view of the measuring cup set with
balance in a nested configuration;
FIG. 8 is an alternate end plan view of the measuring cup set
with balance in a nested configuration;
FIG. 9 is a top perspective view of the measuring cup set
with balance in a separated configuration;
FIG. 10 is a bottom perspective view of the measuring cup
set with balance in a separated configuration;
FIG. 11 is a top plan view of the measuring cup set with
balance in a separated configuration;
FIG. 12 is a bottom plan view of the measuring cup set with
balance in a separated configuration;
FIG. 13 is a side plan view of the measuring cup set with
balance in a separated configuration;
FIG. 14 is an alternate side plan view of the measuring cup
set with balance in a separated configuration;
FIG. 15 is an end plan view of the measuring cup set with
balance in a separated configuration;
FIG. 16 is an alternate end plan view of the measuring cup
set with balance in a separated configuration;
FIG. 17 is a top perspective view of the measuring cup set
with balance in an extended configuration;
FIG. 18 is a bottom perspective view of the measuring cup
set with balance in an extended configuration;
FIG. 19 is a top plan view of the measuring cup set with
balance in an extended configuration;
FIG. 20 is a bottom plan view of the measuring cup set with
balance in an extended configuration;
FIG. 21 is a side plan view of the measuring cup set with
balance in an extended configuration;
FIG. 22 is an alternate side plan view of the measuring cup
set with balance in an extended configuration;
FIG. 23 is an end plan view of the measuring cup set with
balance in an extended configuration; and,

(Continued)

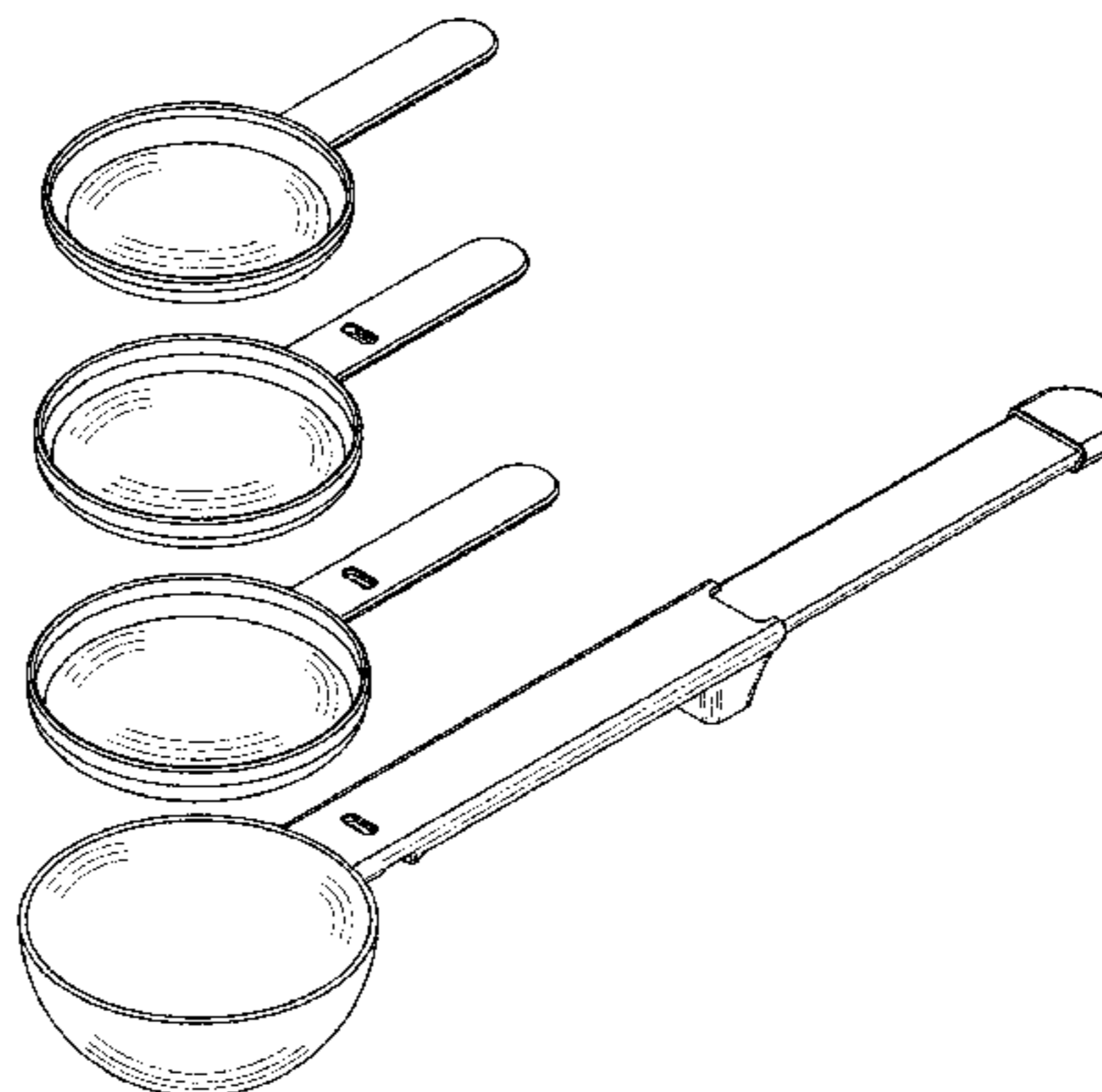


FIG. 24 is an alternate end plan view of the measuring cup set with balance in an extended configuration.

1 Claim, 18 Drawing Sheets

(58) Field of Classification Search

CPC G01F 19/00-007; B65D 21/0233
See application file for complete search history.

(56) References Cited

U.S. PATENT DOCUMENTS

D268,886 S *	5/1983	Kelson	D10/46.2
D497,948 S *	11/2004	Miller	A63B 45/02
			D7/692
D660,729 S *	5/2012	Lee	D10/46.2
D671,805 S *	12/2012	O'Connell	D7/691
D752,453 S *	3/2016	Holding	D10/46.3
D760,607 S *	7/2016	Anzalone	D10/46.3
2010/0089151 A1 *	4/2010	Mantilla	B65D 21/0233
			73/426
2011/0073515 A1 *	3/2011	Tai	B65D 21/0233
			206/505

* cited by examiner

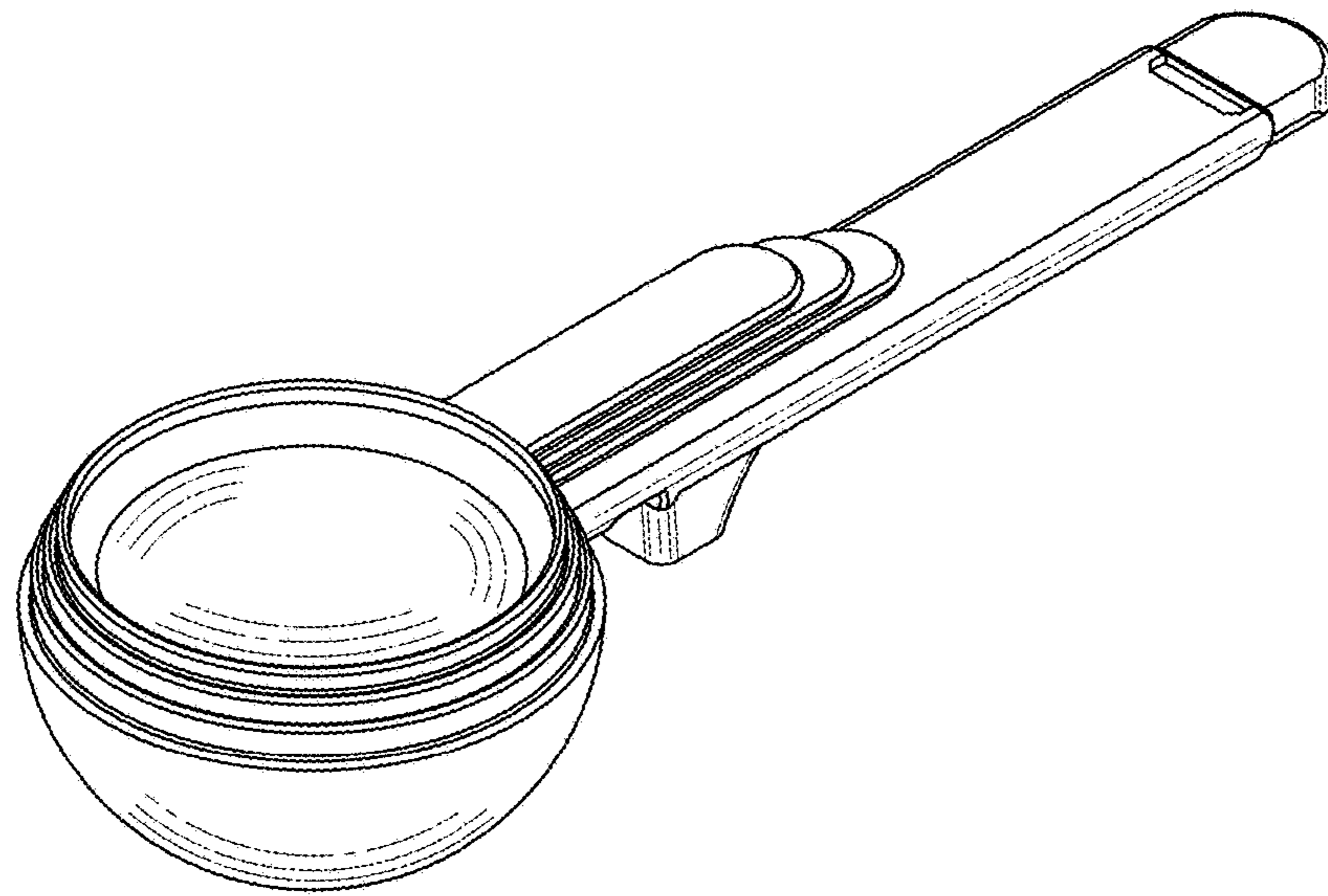


Fig. 1

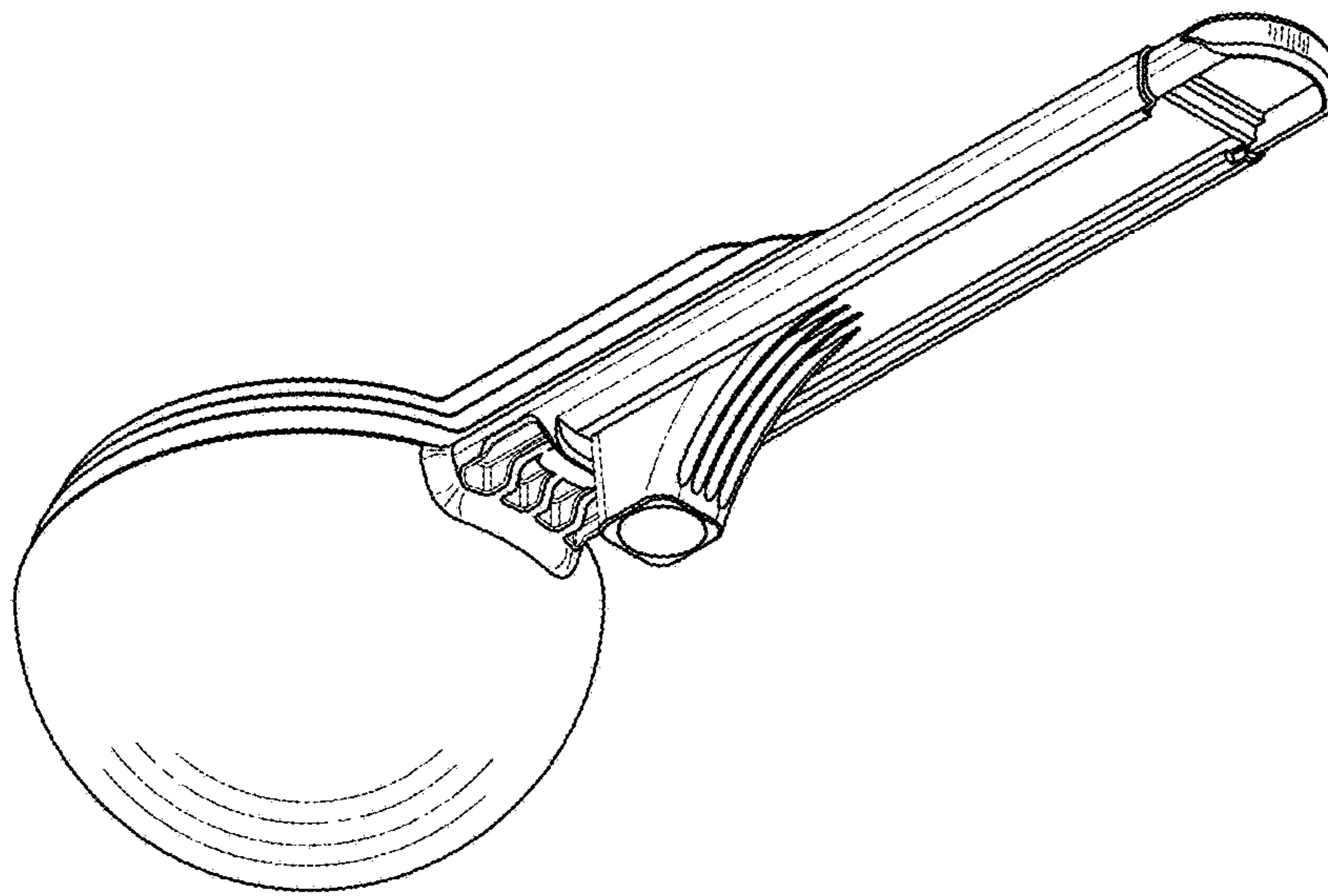


Fig. 2

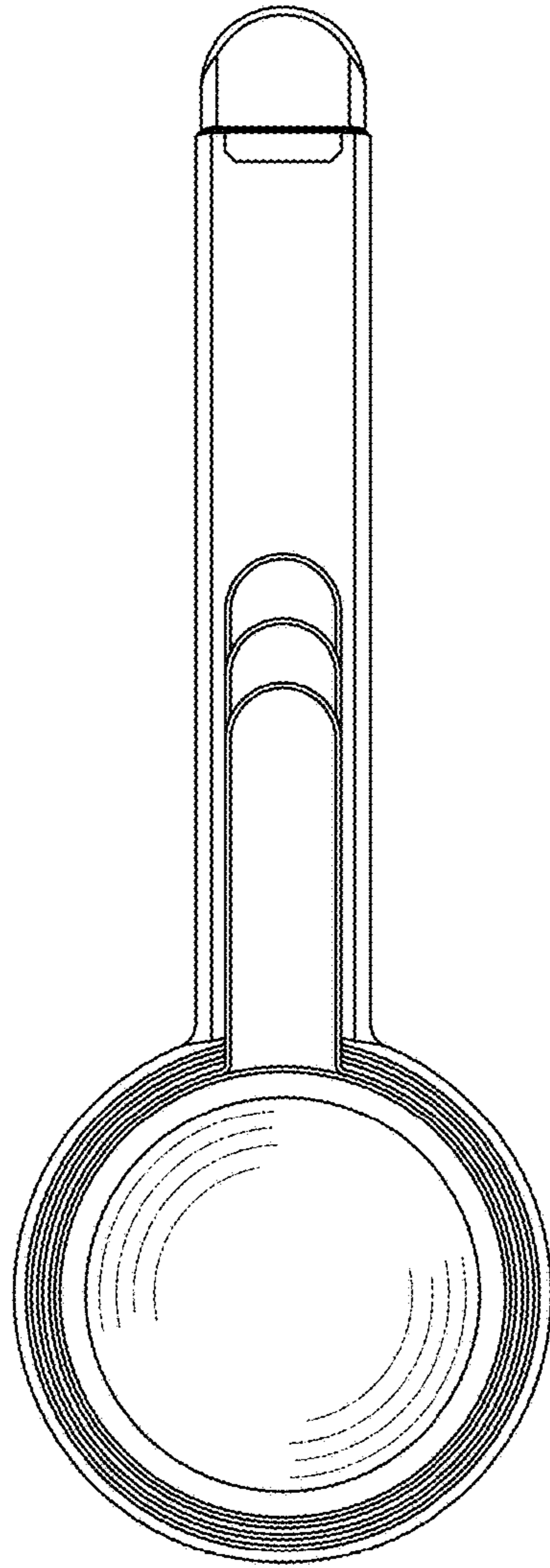


Fig. 3

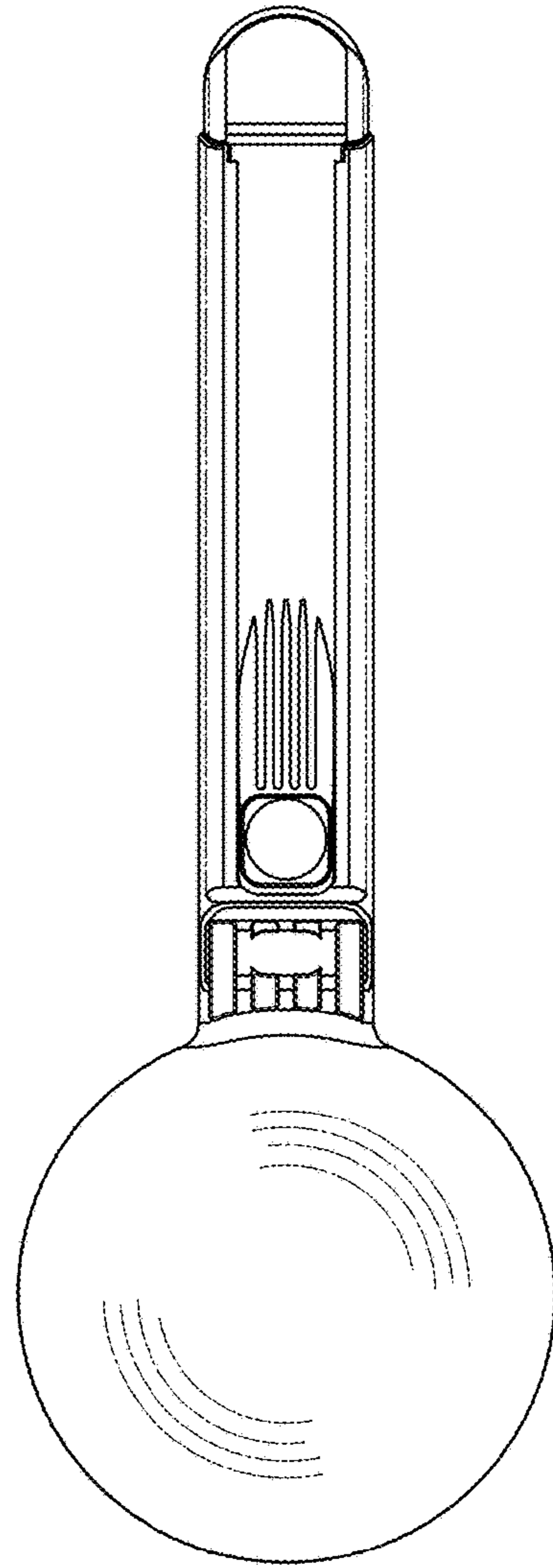


Fig. 4

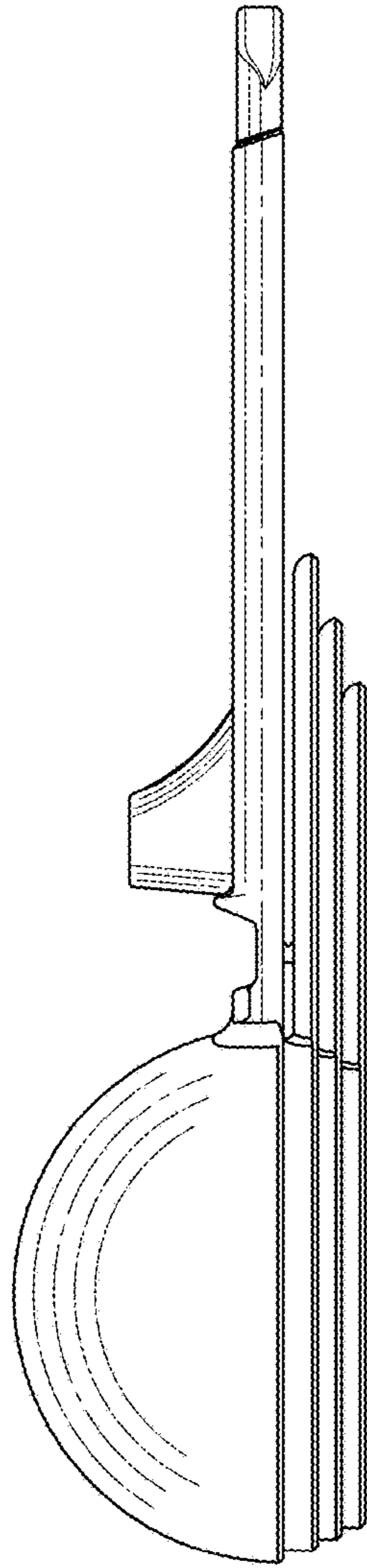


Fig. 5

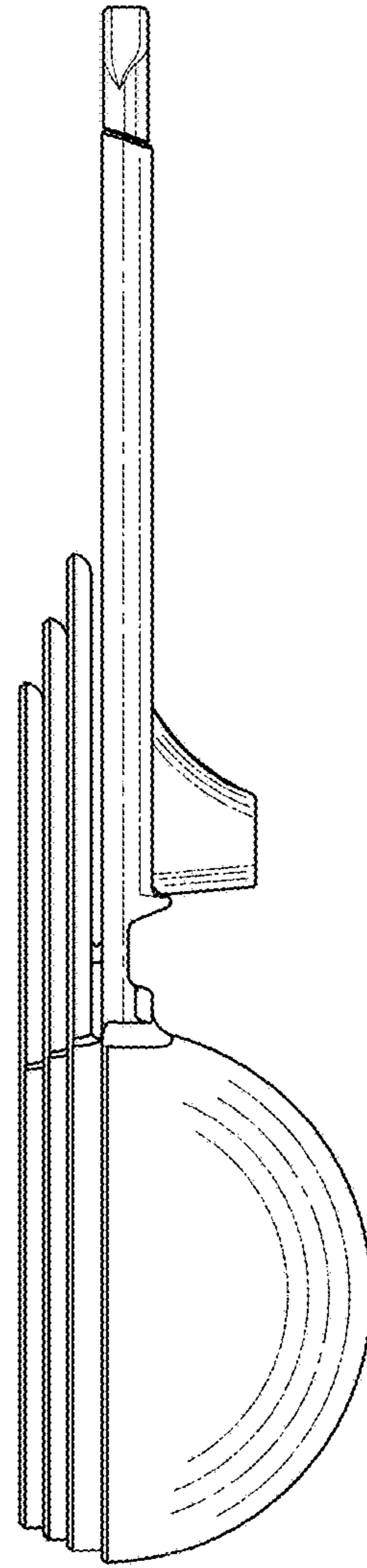


Fig. 6

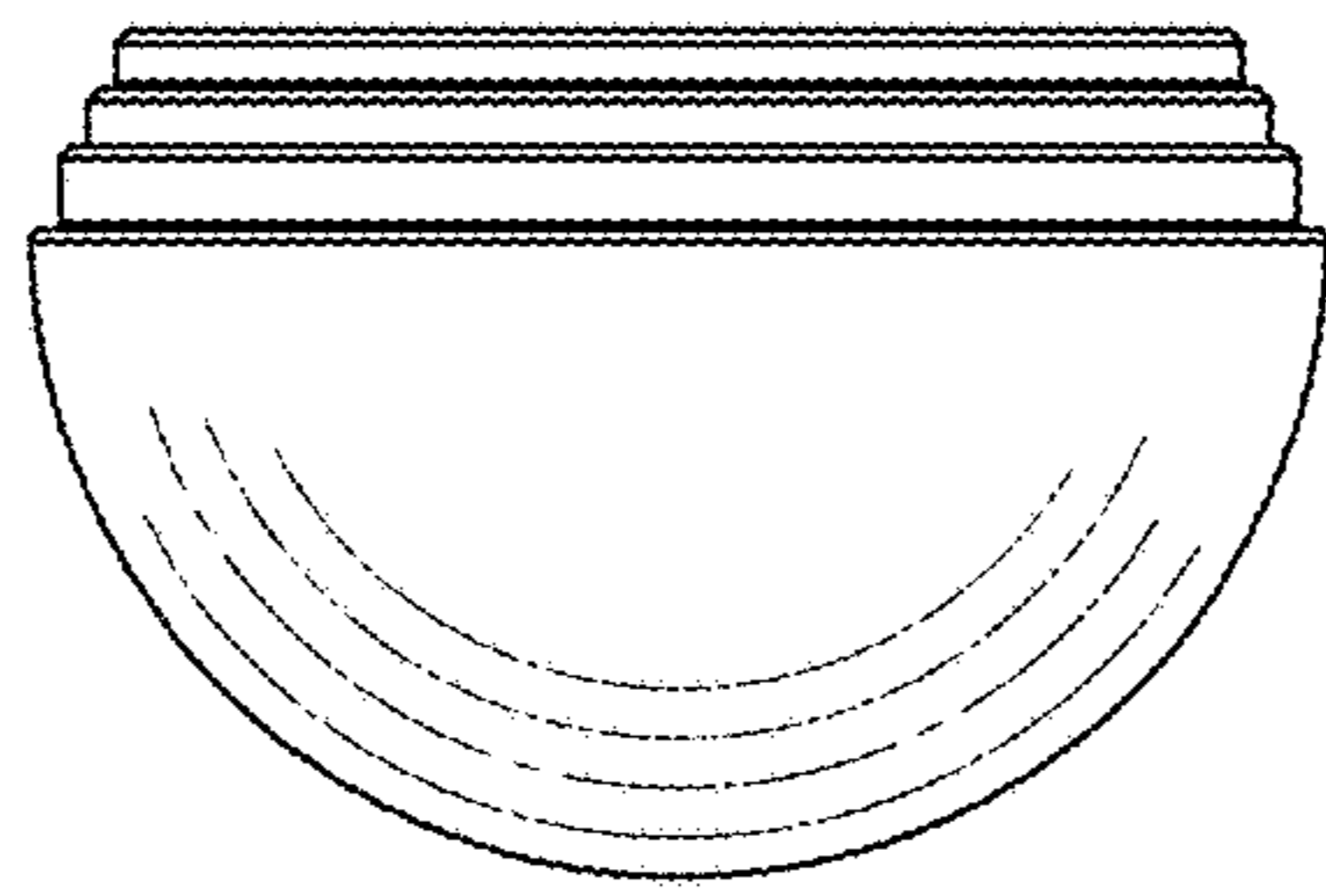


Fig. 7

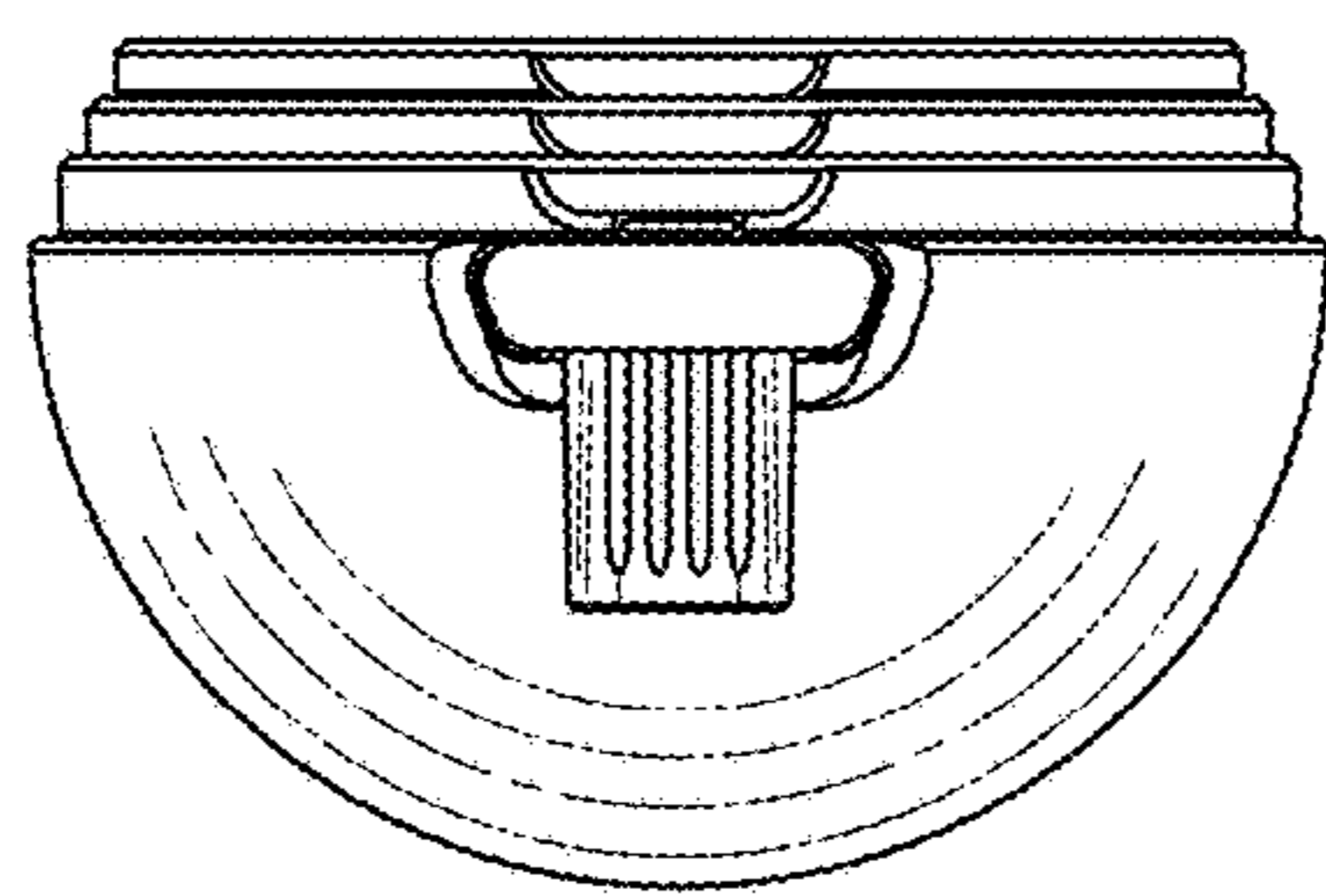


Fig. 8

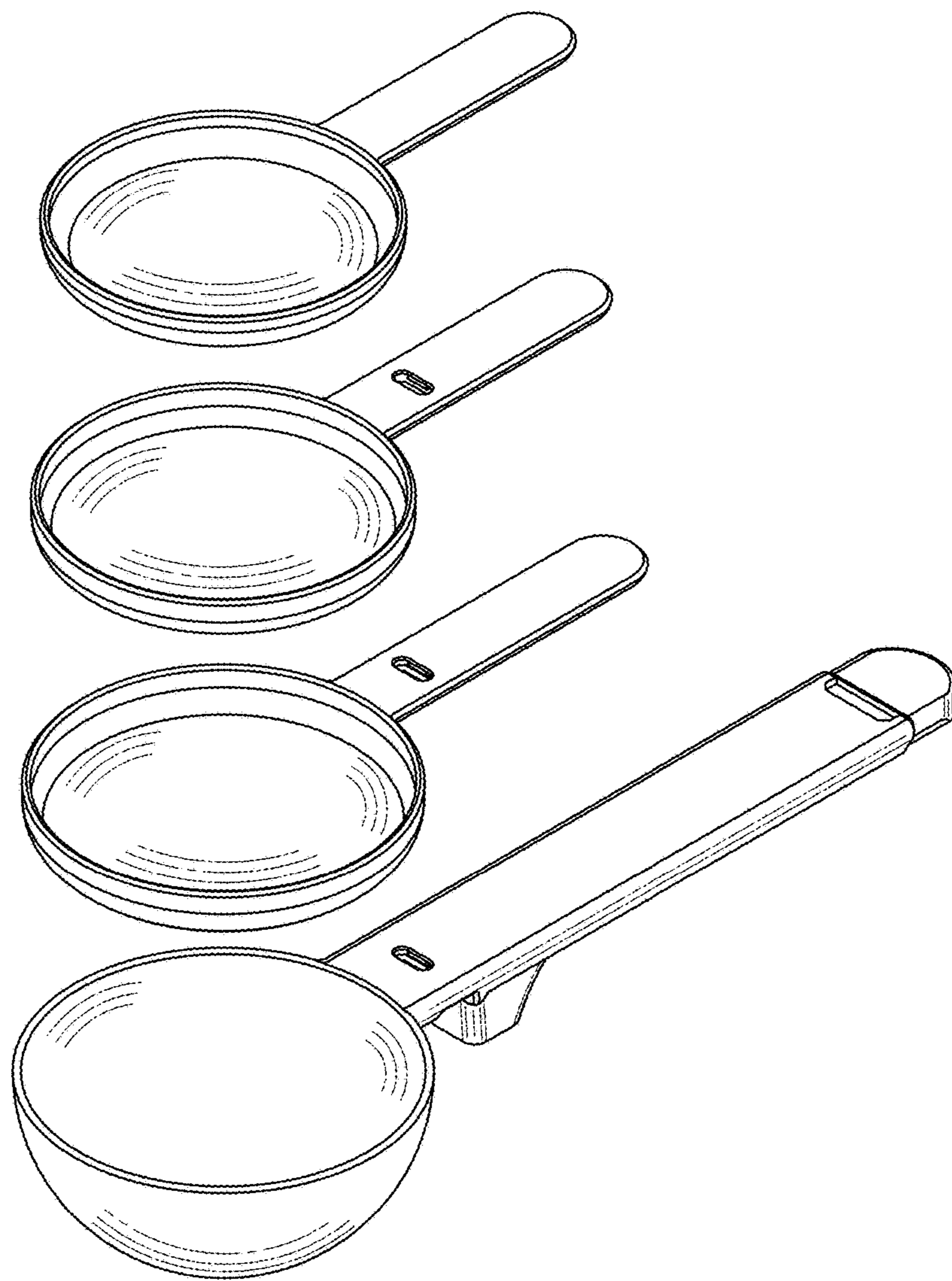


Fig. 9

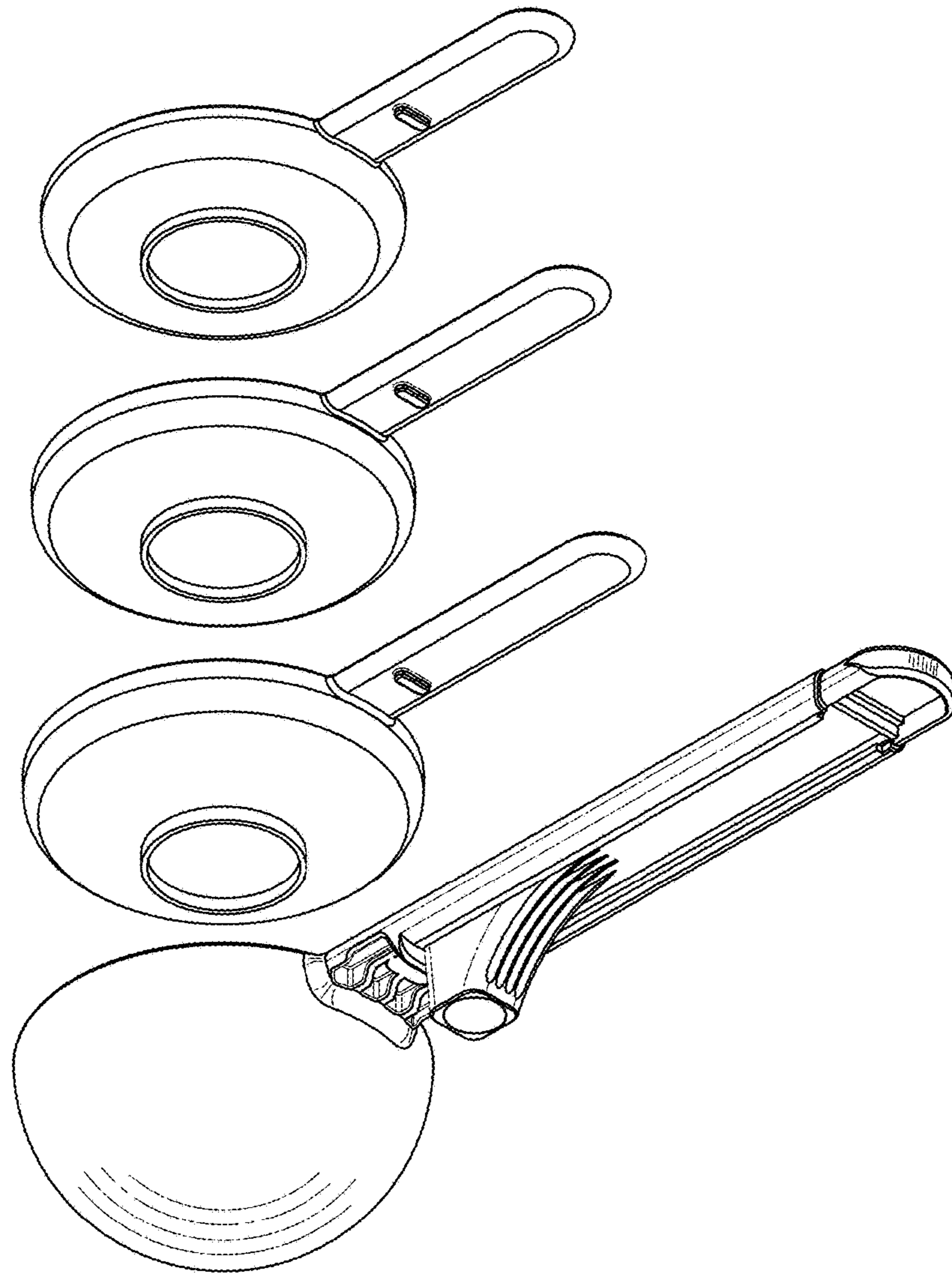


Fig. 10

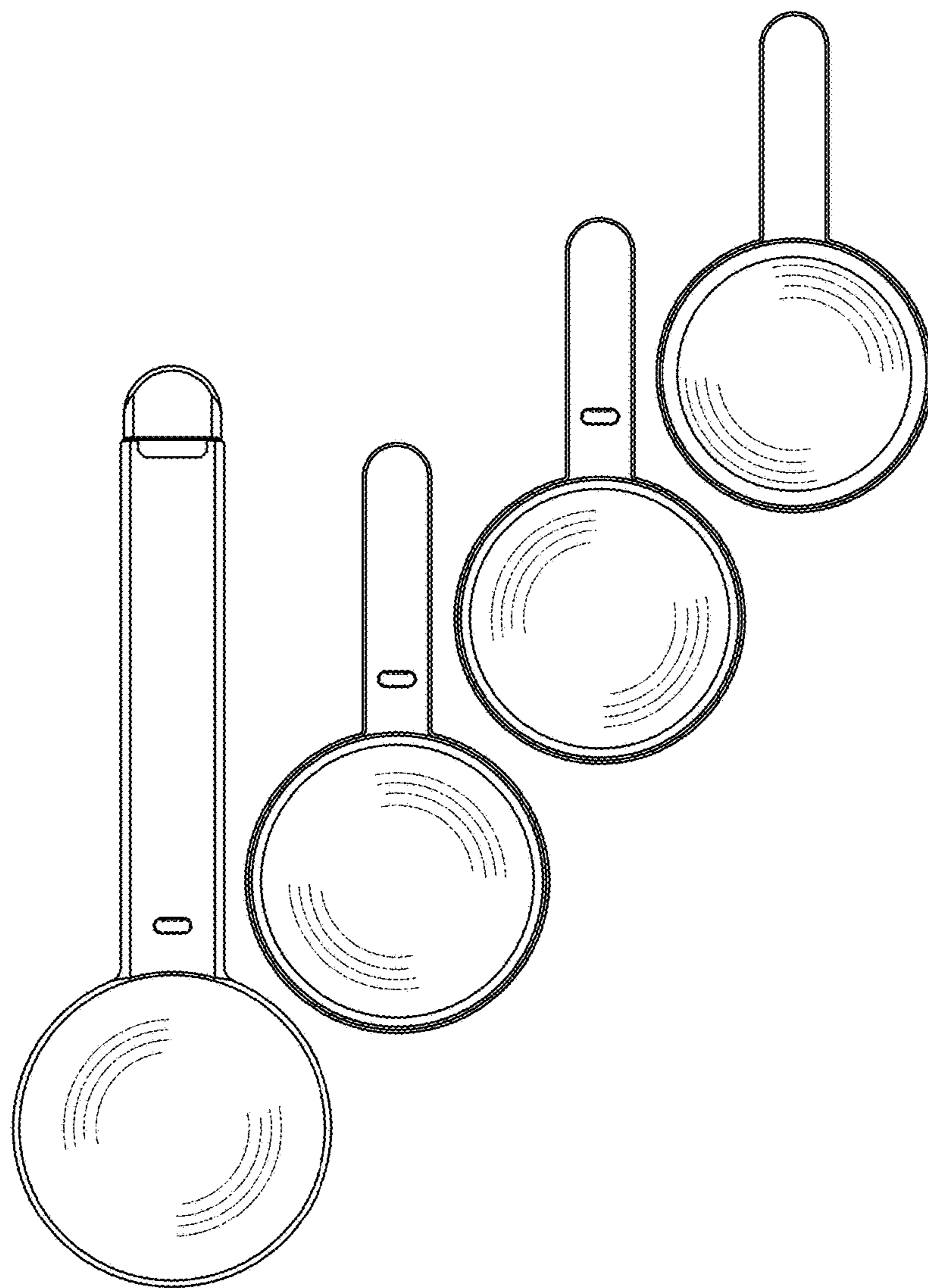


Fig. 11

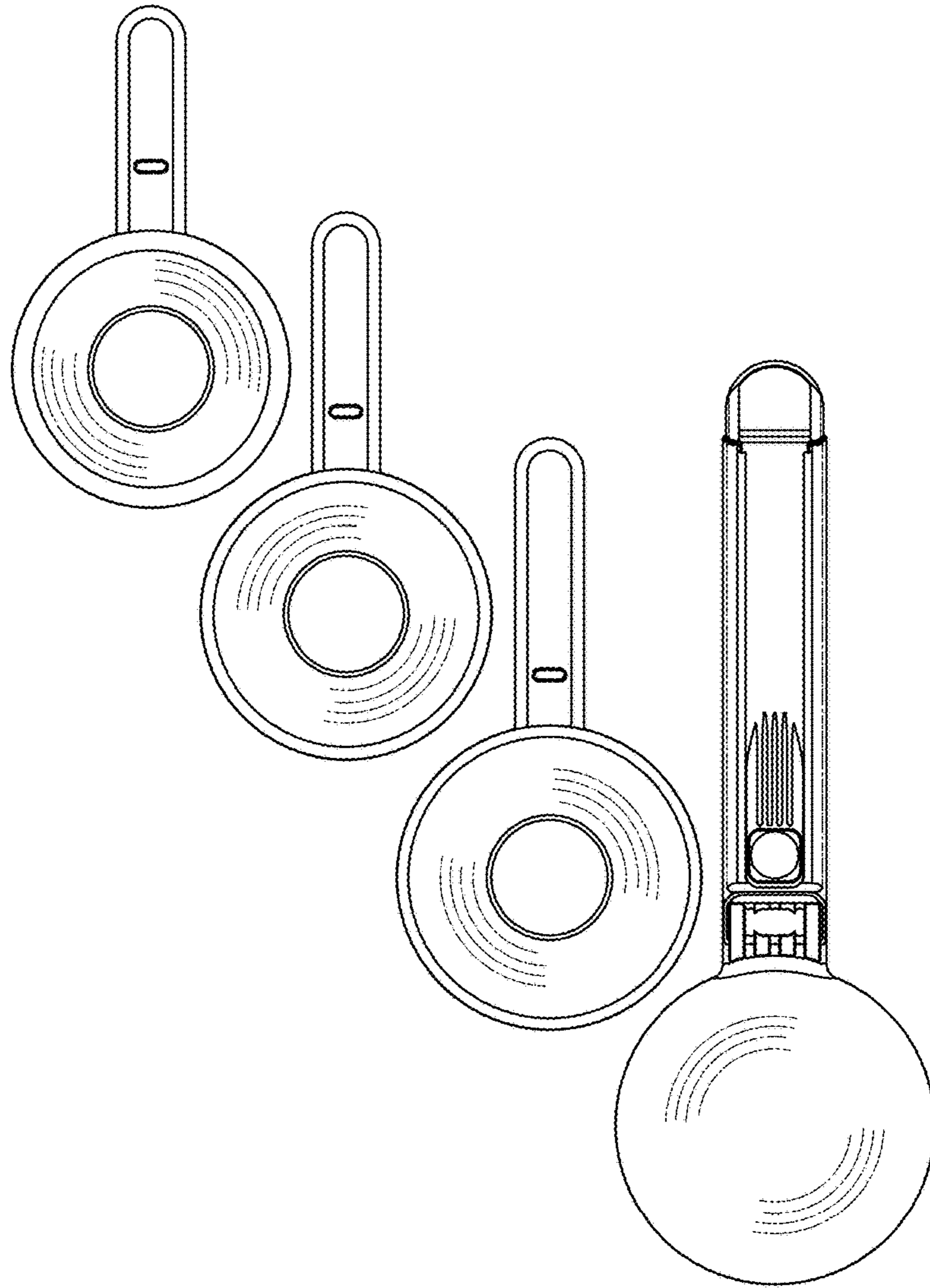


Fig. 12

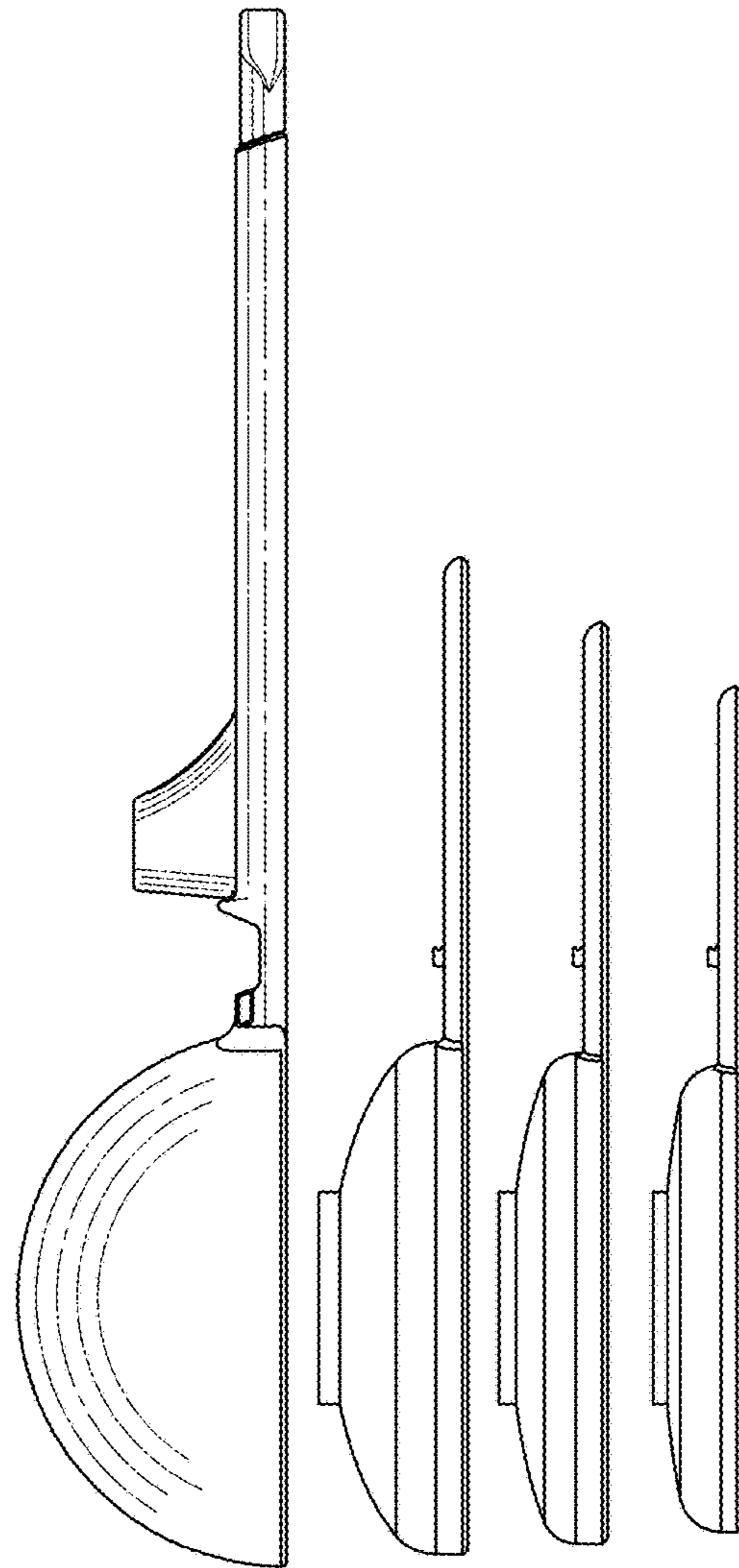


Fig. 13

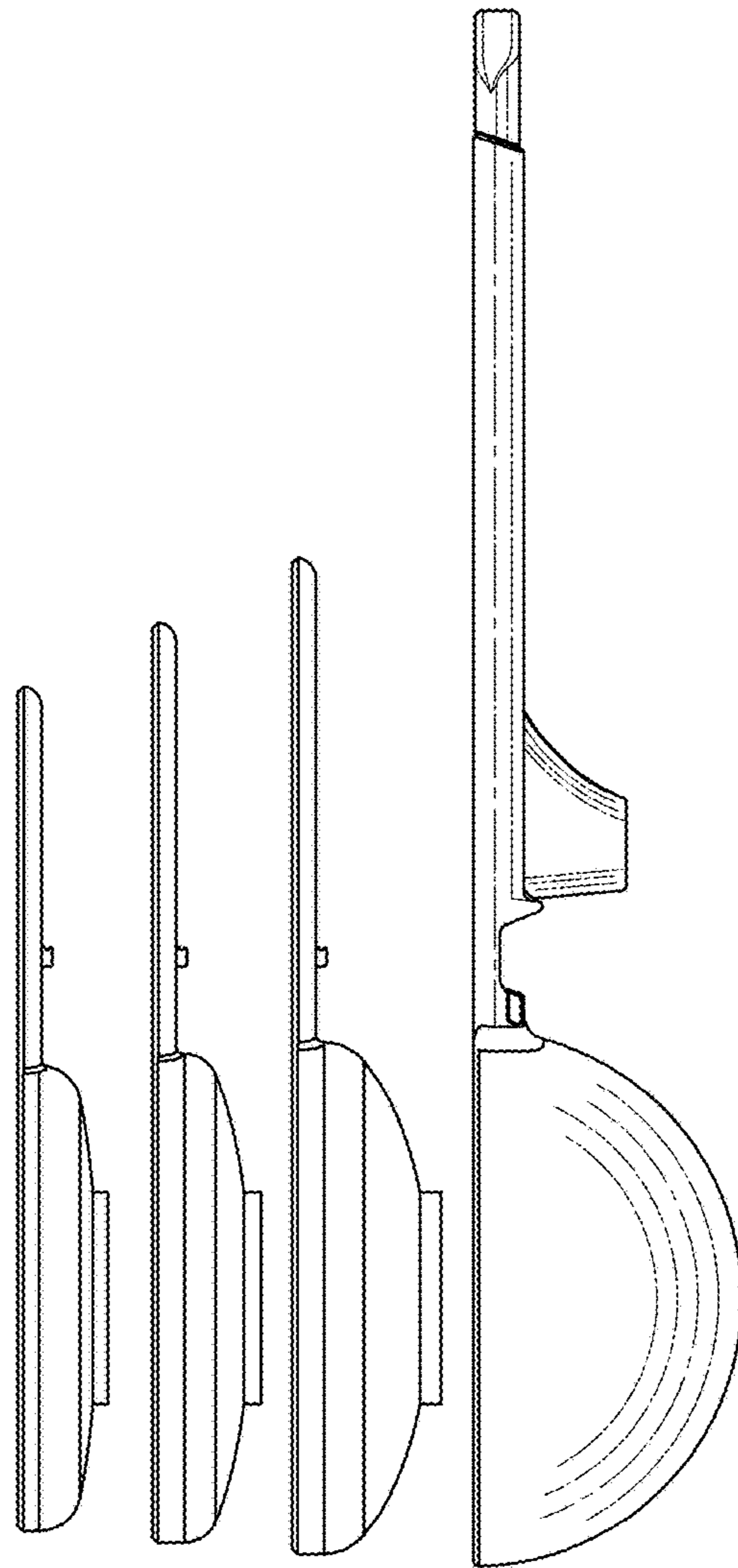


Fig. 14

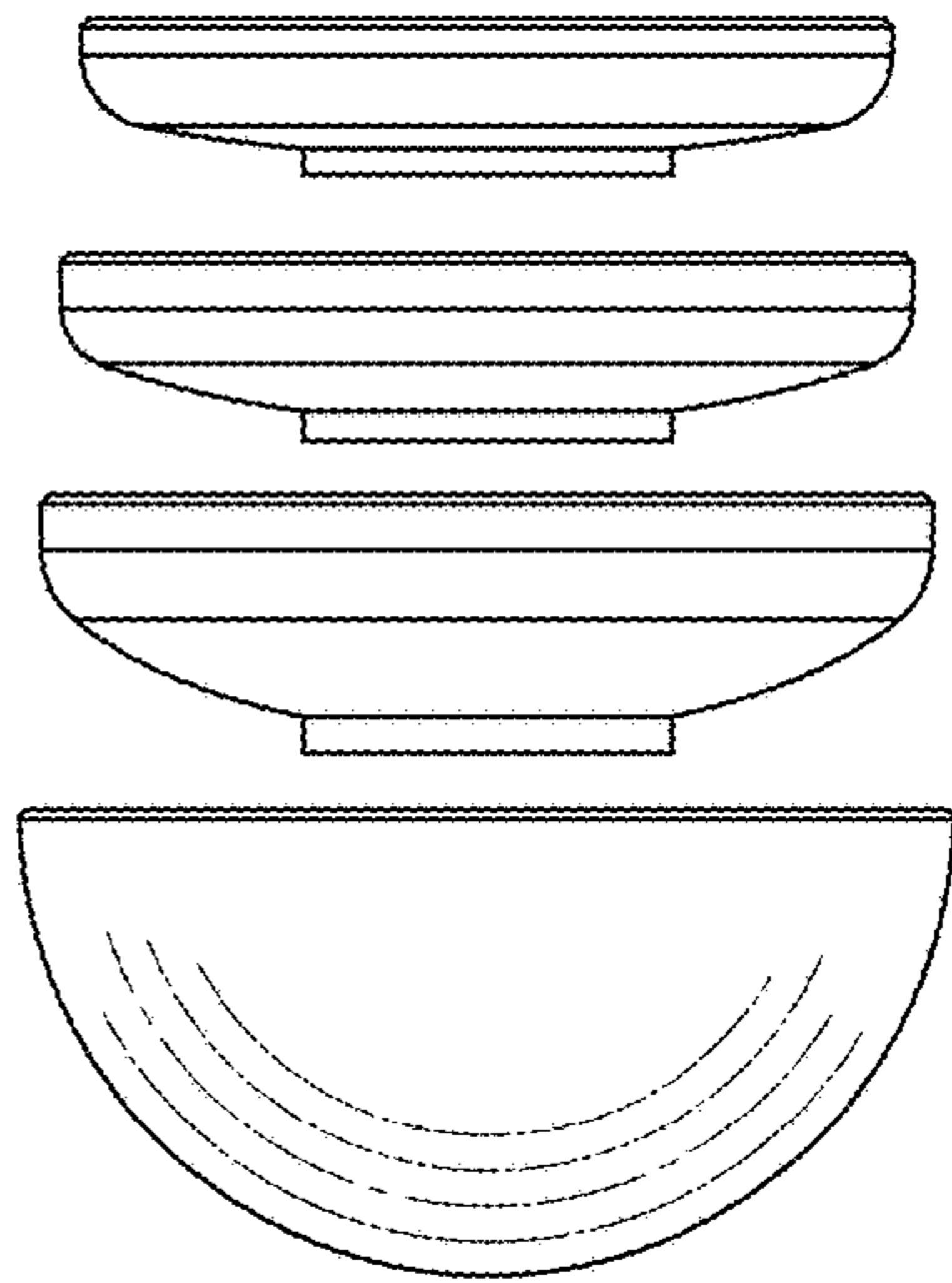


Fig. 15

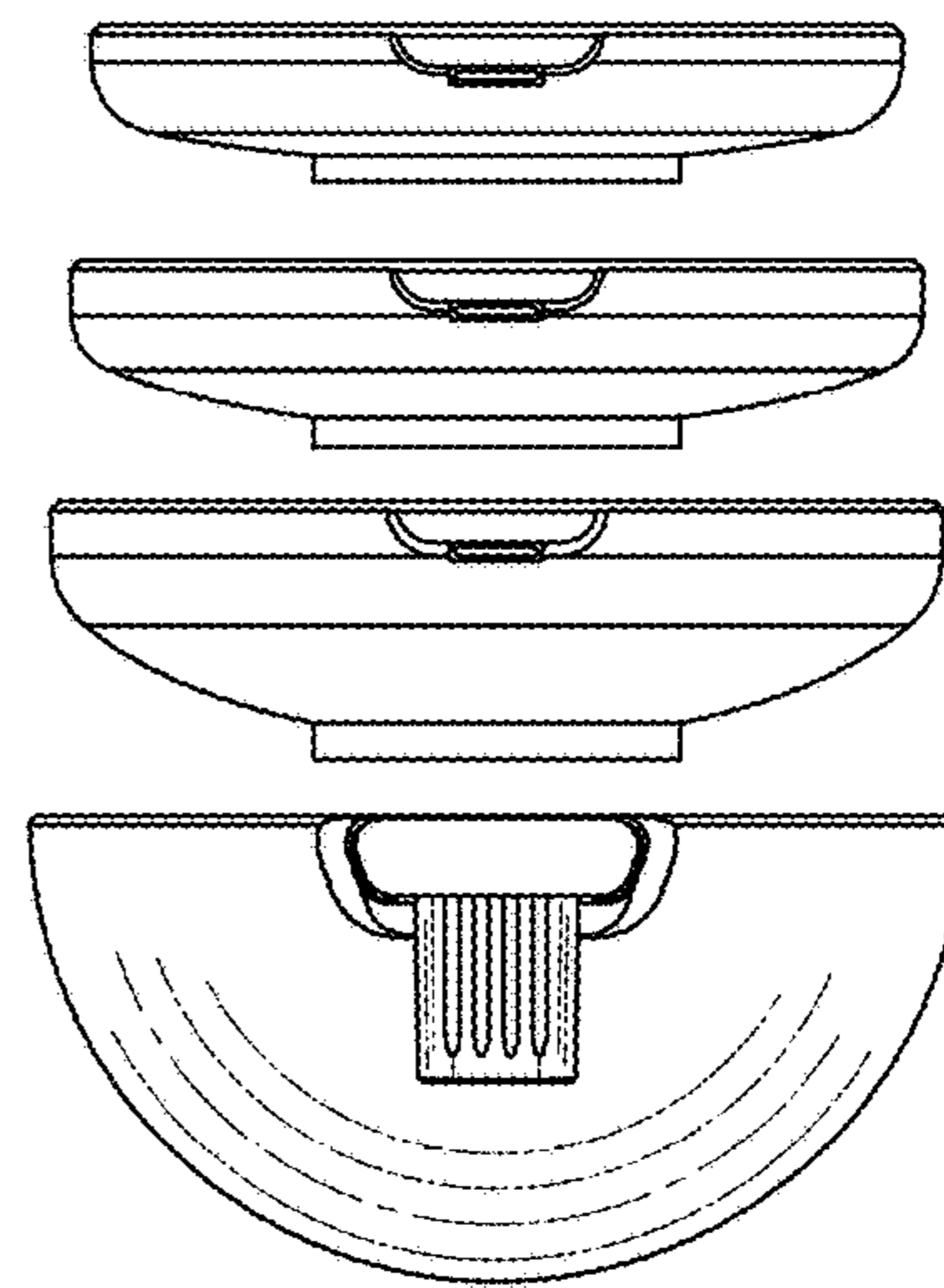


Fig. 16

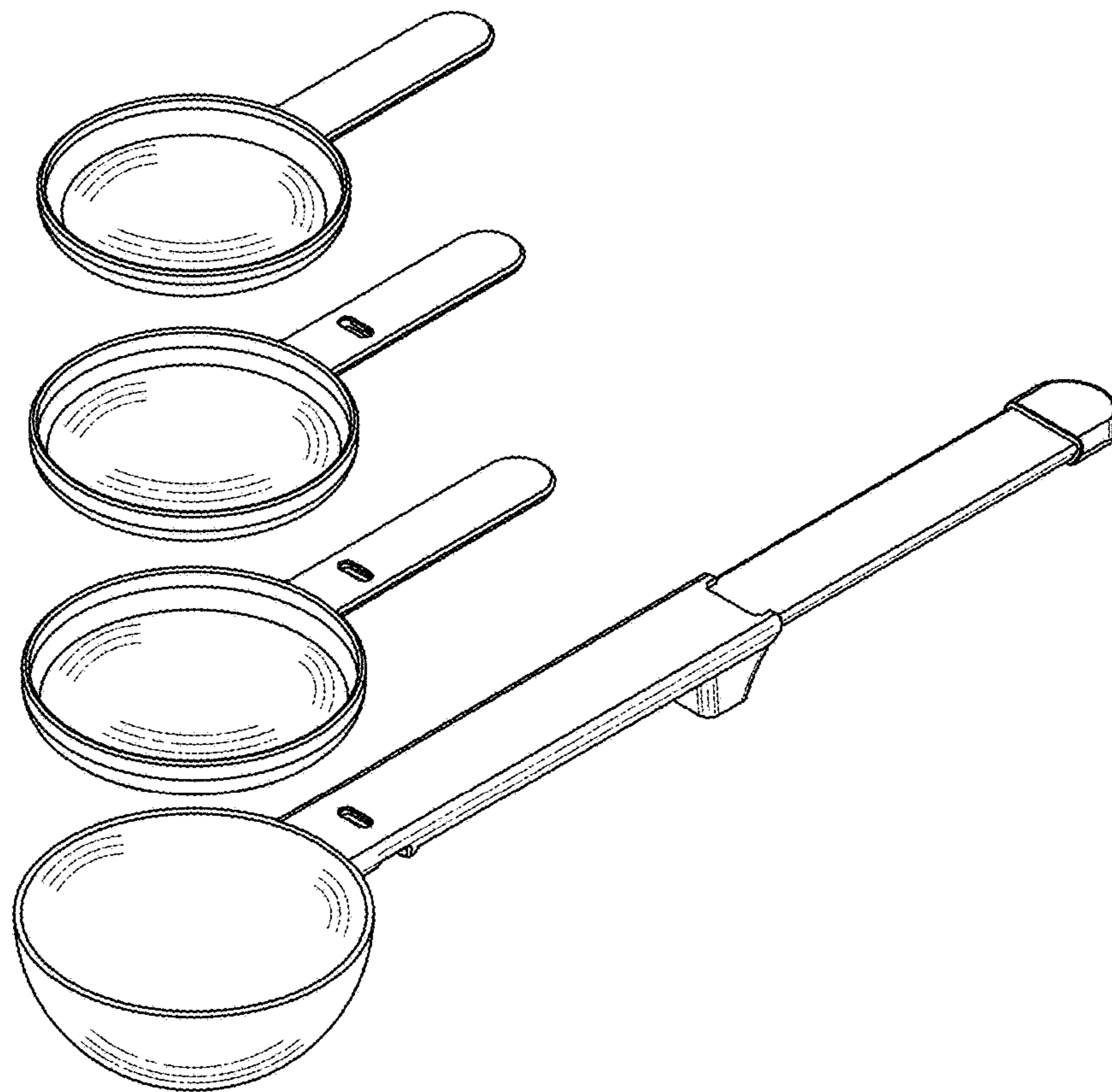


Fig. 17

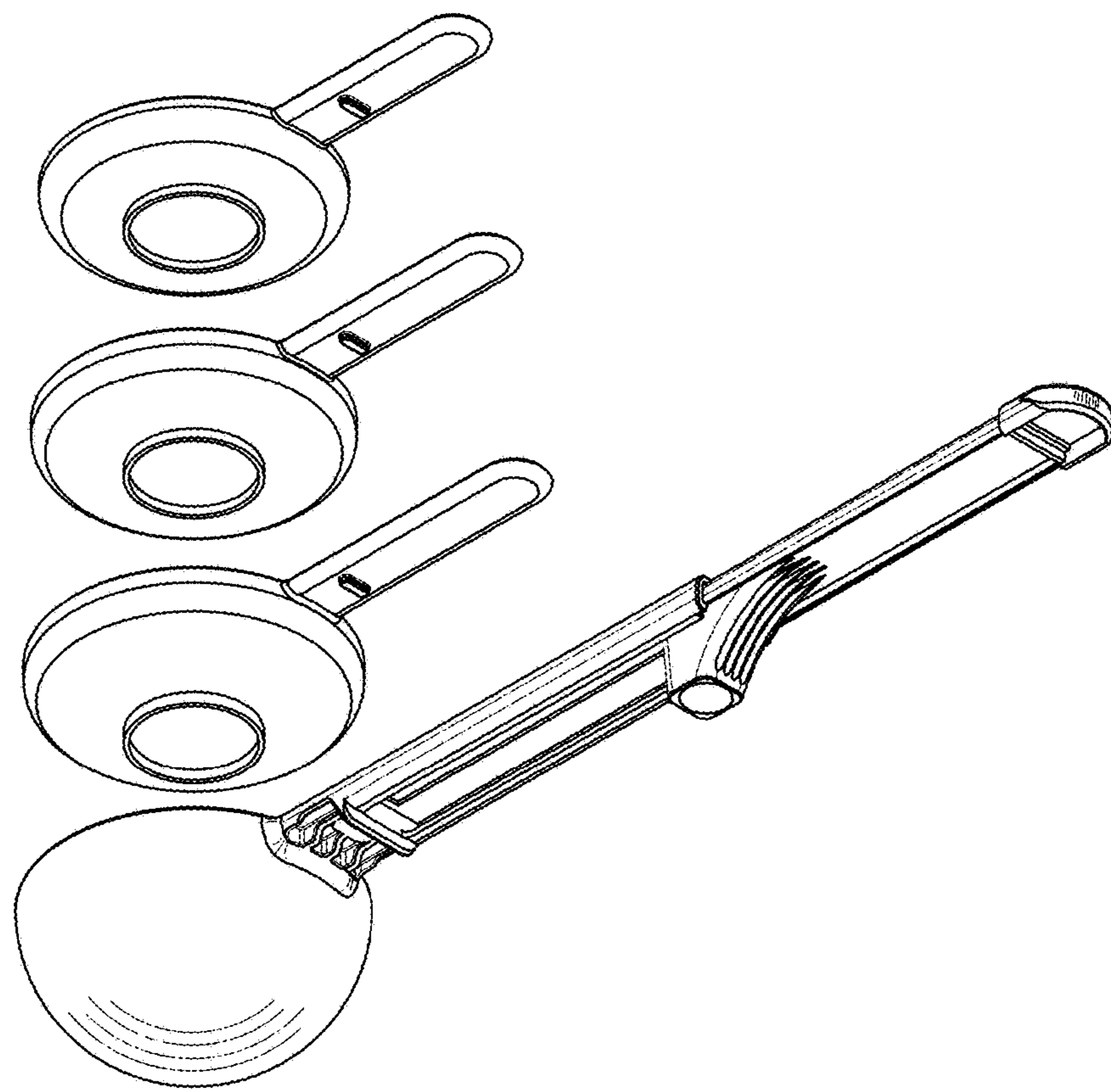


Fig. 18

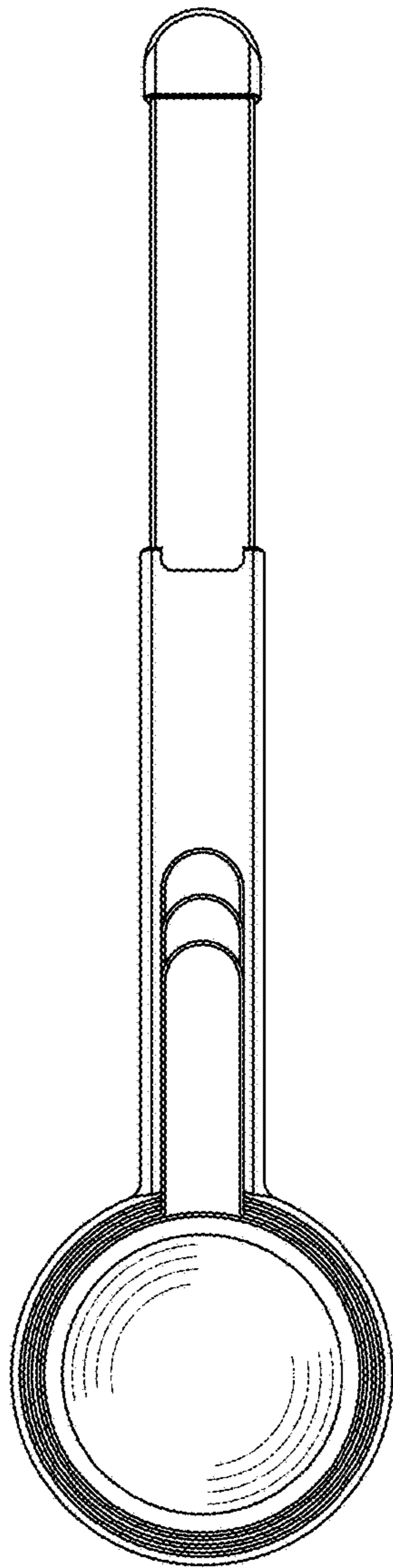


Fig. 19

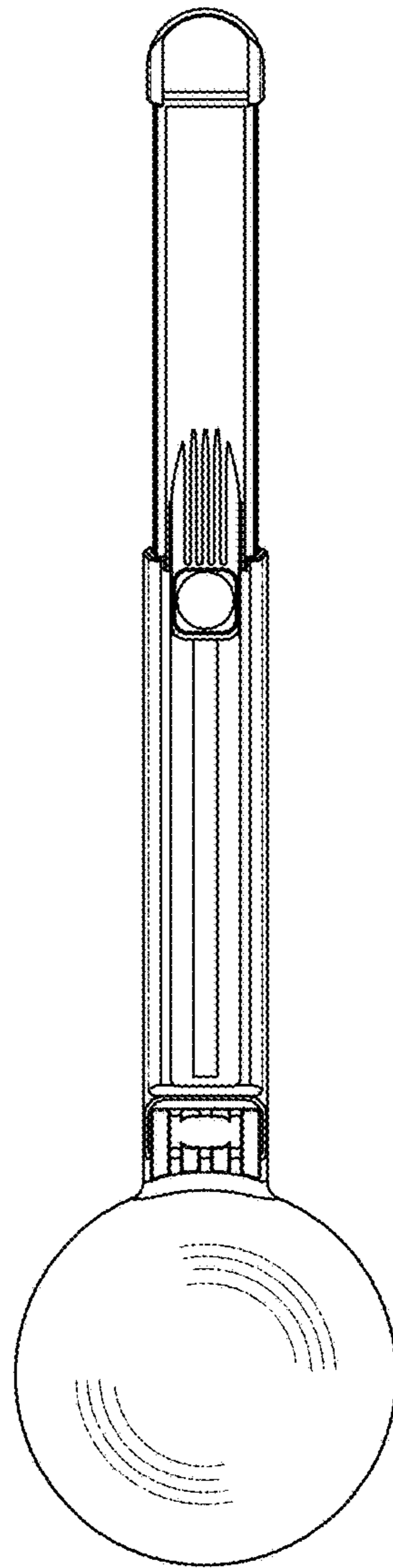


Fig. 20

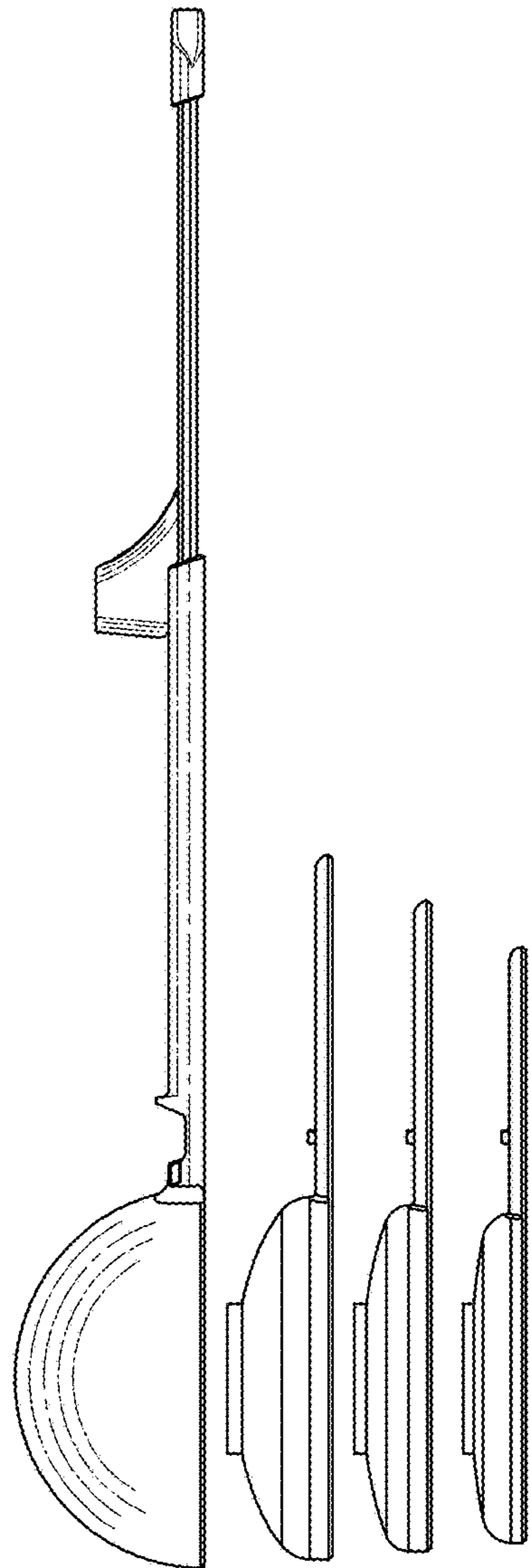


Fig. 21

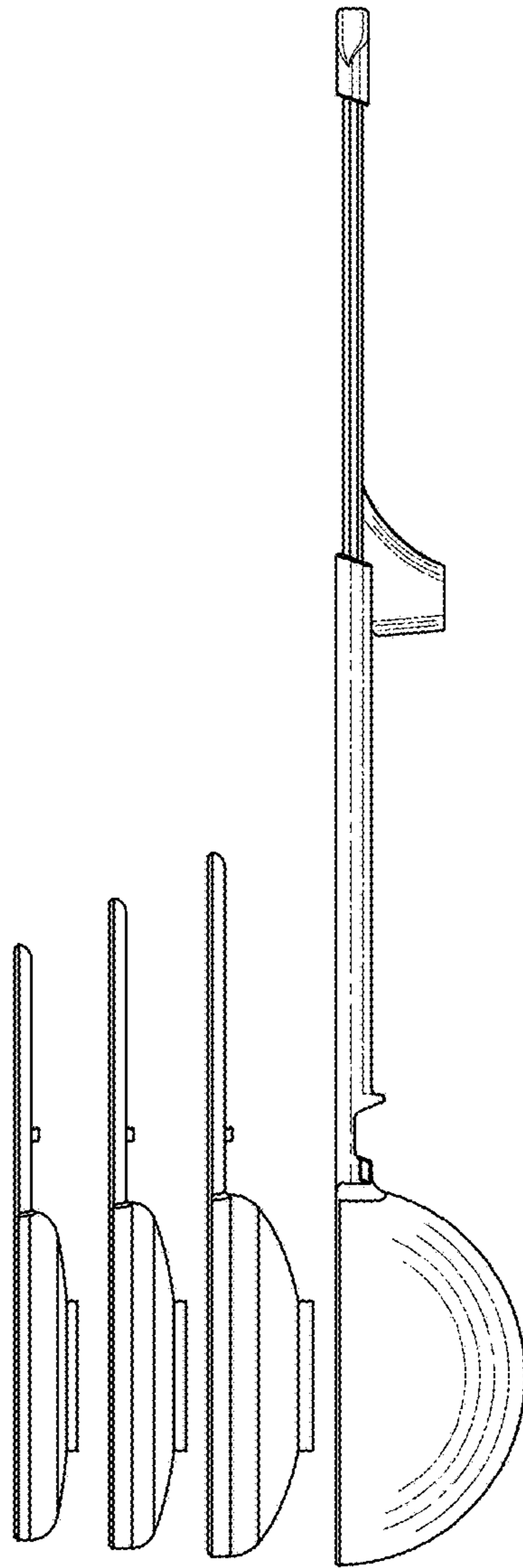


Fig. 22

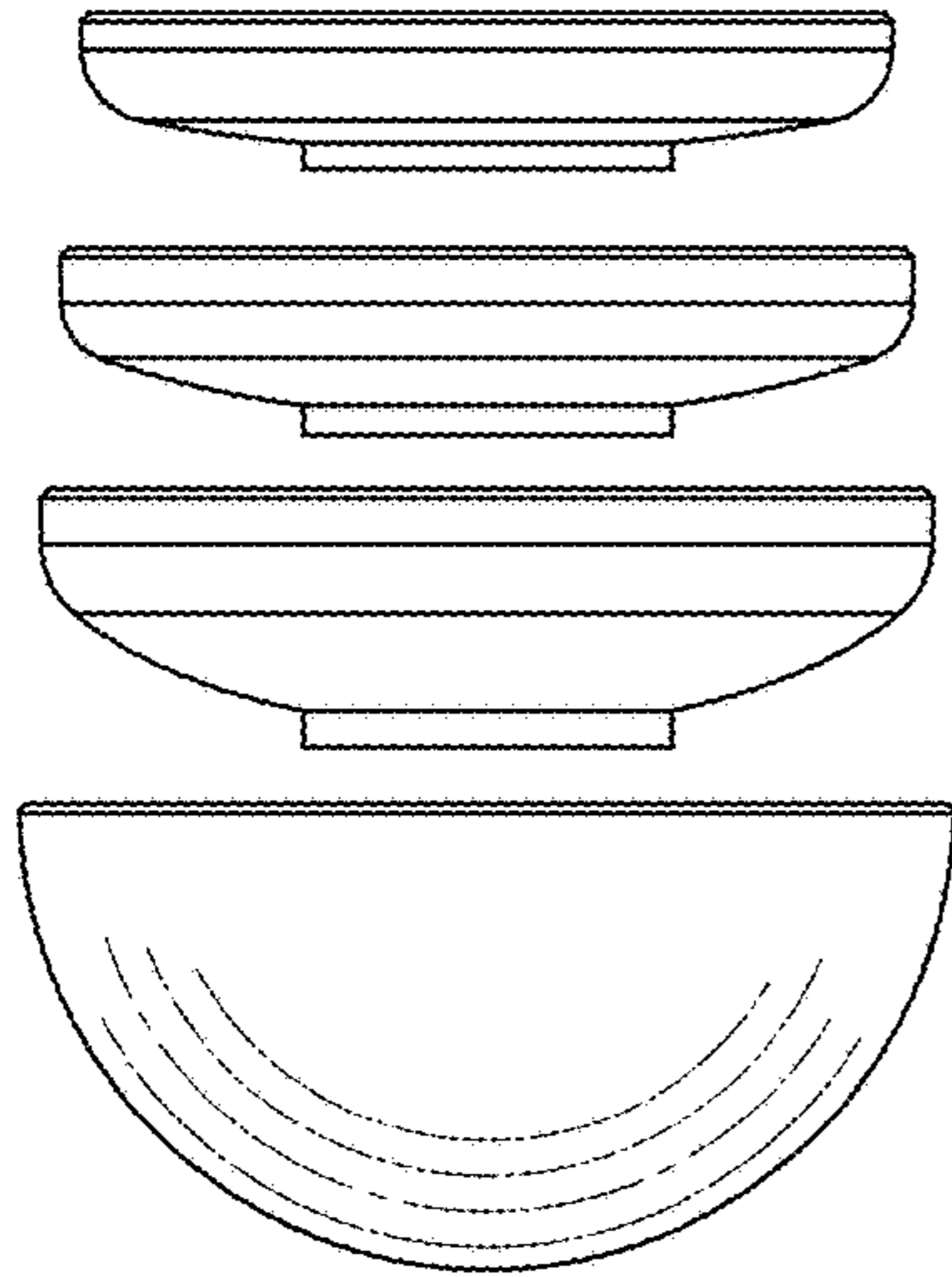


Fig. 23

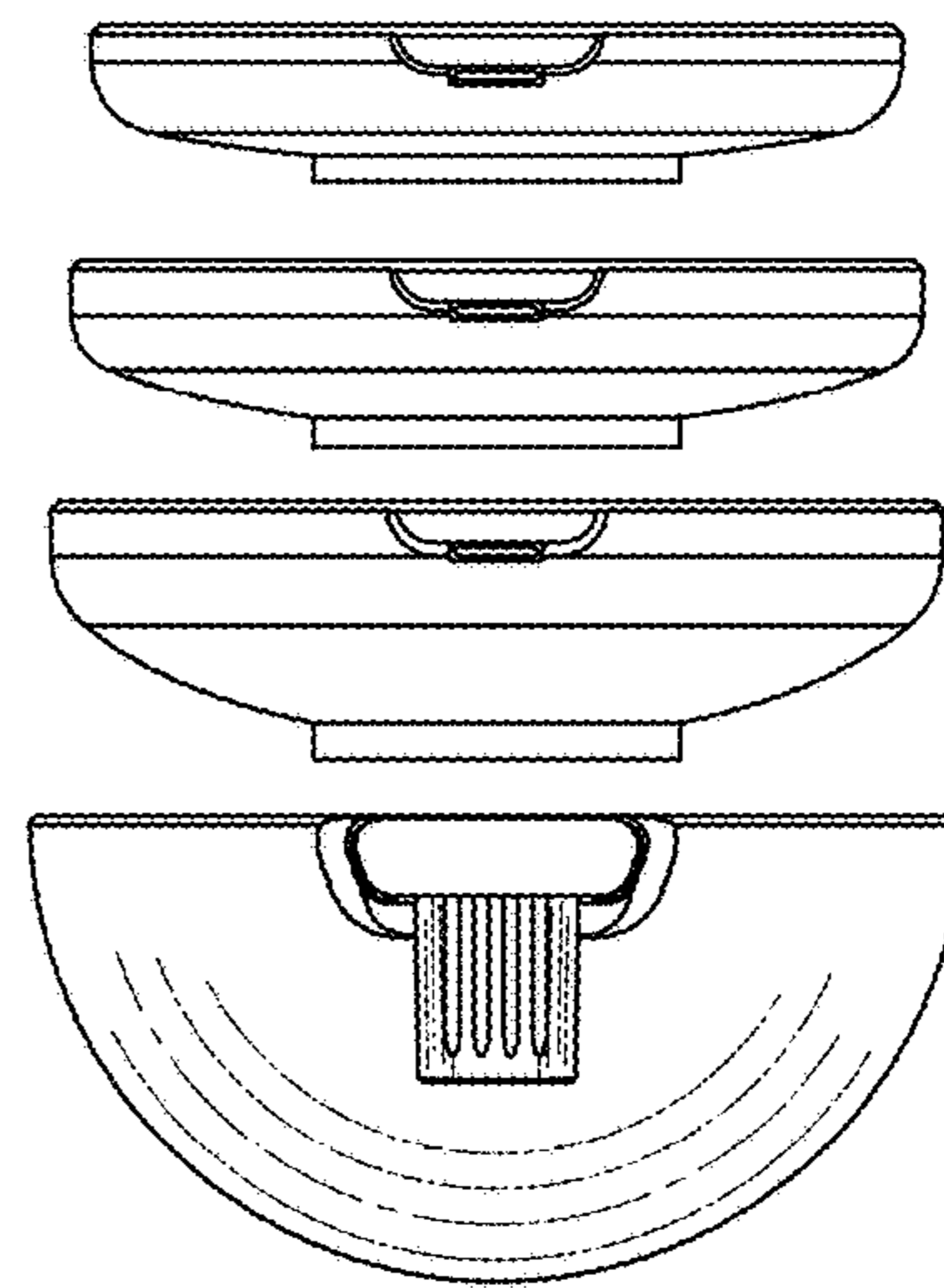


Fig. 24