



US00D854947S

(12) **United States Design Patent**
Ciobanu

(10) **Patent No.:** **US D854,947 S**

(45) **Date of Patent:** **** Jul. 30, 2019**

(54) **WATCH**

(71) Applicant: **Richemont International SA,**
Villars-sur-Glane (CH)

(72) Inventor: **Catinca Ciobanu,** Gex (FR)

(73) Assignee: **Richemont International SA,**
Villars-sur-Glane (CH)

(**) Term: **15 Years**

(21) Appl. No.: **29/622,356**

(22) Filed: **Oct. 17, 2017**

(51) **LOC (11) Cl.** **10-02**

(52) **U.S. Cl.**
USPC **D10/39**

(58) **Field of Classification Search**

USPC D10/1-2, 10, 30-33, 36-39, 98-99,
D10/122-124, 126-128, 132; D11/3;
D14/344; D24/167, 186
CPC G04C 19/00; G04C 19/02; G04B 19/00;
G04B 19/025; G04B 19/08; G04B
19/048; G04B 19/04; G04B 19/046;
G04B 19/06; G04B 19/065; G04B
19/082; G04B 19/085; G04B 19/087;
G04B 19/10; G04B 19/103; G04B
19/106; G04B 47/042; G04B 19/12;
G04B 19/18; G04B 19/223; G04B 19/23;
G04B 19/24; G04B 19/241; G04B
19/243; G04D 3/04

See application file for complete search history.

(56) **References Cited**

U.S. PATENT DOCUMENTS

D178,091 S * 6/1956 Sparks D10/39
D353,107 S * 12/1994 Ricci D10/128
D587,140 S * 2/2009 Kauffmann D10/38
D627,243 S * 11/2010 Deleskiewicz D10/39
D663,221 S * 7/2012 Gueit D10/38

D771,505 S * 11/2016 Cerrato D10/30
D797,577 S * 9/2017 Kauffmann D10/30
D798,178 S * 9/2017 Muller D10/126
D801,196 S * 10/2017 Sugiura D10/39
D802,446 S * 11/2017 El Alej D10/30
D815,547 S * 4/2018 Plange D10/30
2007/0008824 A1 * 1/2007 Cretin G04B 3/048
368/69
2012/0192424 A1 * 8/2012 Cataldo G04B 37/22
29/896.33

OTHER PUBLICATIONS

Vacheron Constantin Historiques UltraFine 1955 | posted at hodinkee.com Aug. 2015 © 2009-2018, Hodinkee Inc [online][site visited Sep. 12, 2018]. Available from internet: <https://www.hodinkee.com/articles/the-vacheron-constantin-historiques-ultra-fine-1955> (Year: 2015).*

(Continued)

Primary Examiner — Sandra S Snapp
Assistant Examiner — Katherine Glennon
(74) *Attorney, Agent, or Firm* — Taft Stettinius & Hollister LLP

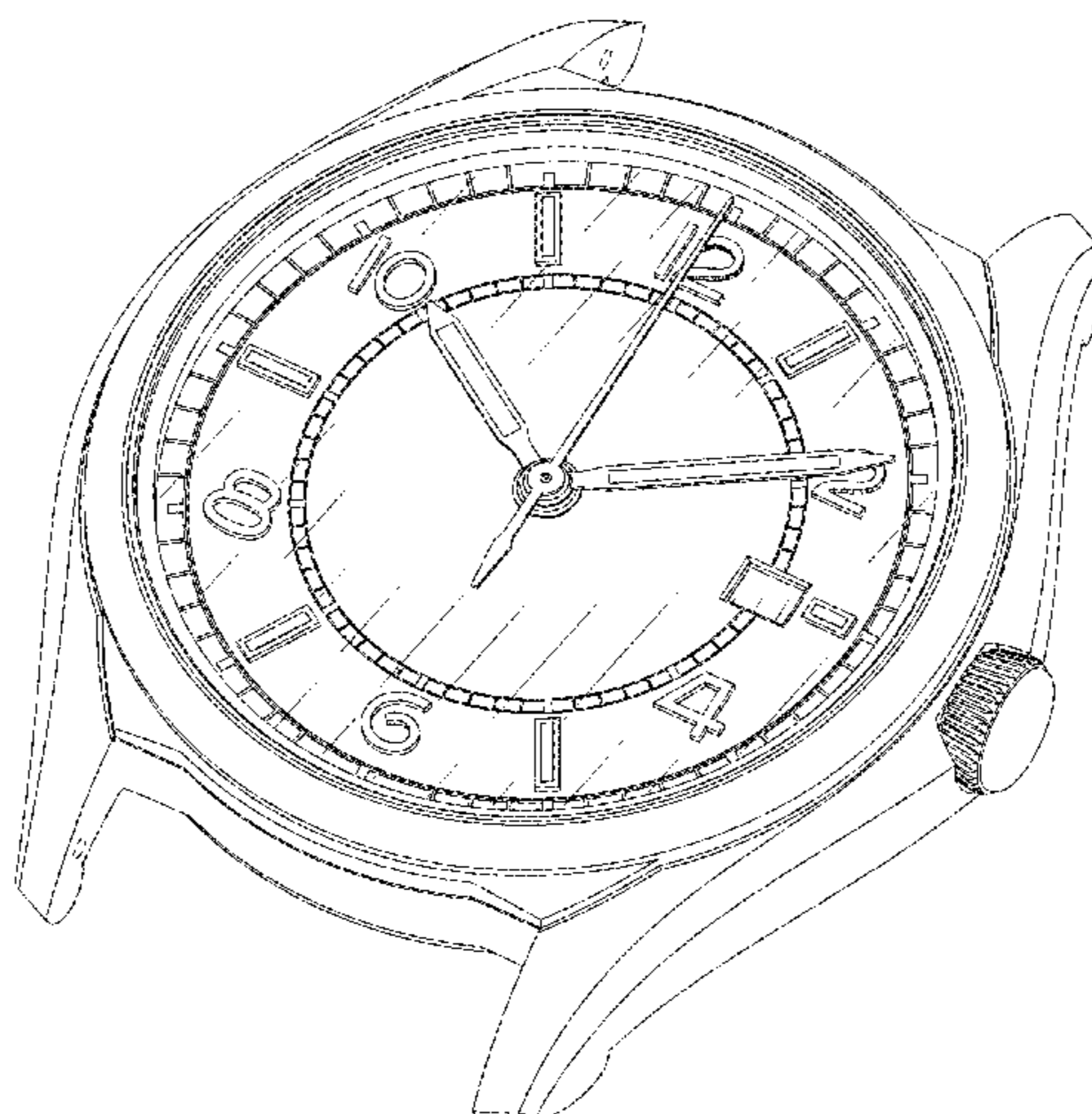
(57) **CLAIM**

The ornamental design for a watch, as shown and described.

DESCRIPTION

FIG. 1 is a front elevational view of a watch showing my new design;
FIG. 2 is a back elevational view thereof;
FIG. 3 is a right side elevational view thereof;
FIG. 4 is a left side elevational view thereof;
FIG. 5 is a bottom plan view thereof;
FIG. 6 is a top plan view thereof;
FIG. 7 is a front, right side perspective view thereof; and,
FIG. 8 is a back, left side perspective view thereof.
The broken lines in the drawing figures depict unclaimed subject matter that forms no part of the claimed design.

1 Claim, 8 Drawing Sheets



(56)

References Cited

OTHER PUBLICATIONS

Vacheron Constantin Vintage Chronometre Royal | posted at classicdriver.com n.d; 1955 vintage © 2018 classicdriver.com [online][site visited Sep. 12, 2018]. Available from internet: <<https://www.classicdriver.com/en/watch/vacheron-constantin/vintage-models-other/1955/488078>> (Year: 1955).*

SIHH 2018 Vacheron Constantin FiftySix | posted at watchesbysjx.com Jan. 2018 © SJX 2011-2018 [online][site visited Sep. 12, 2018]. Available from internet: <<http://watchesbysjx.com/2018/01/vacheron-constantin-introduces-the-fiftysix-collection.html>> (Year: 2018).*

Treasures of Vacheron Constantin—A legacy of watchmaking since 1755 by Hairani Hassan-Joshi (Curator) and Julien Marchenoir (Catalog) 2011 Editions Hazan, Paris, France p. 92: Gentleman's Wristwatch Ultra-Thin 1955.

* cited by examiner

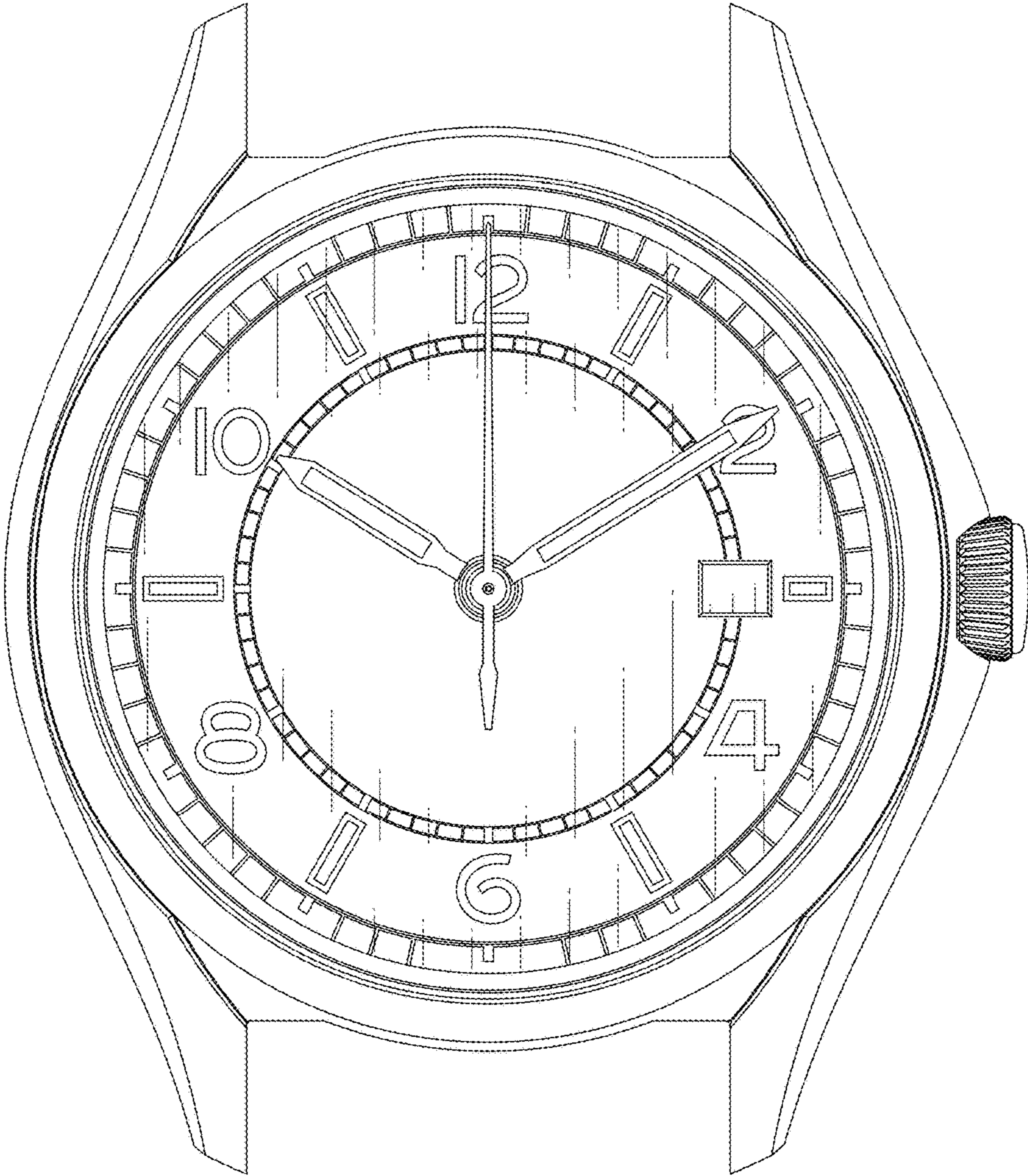


Fig. 1

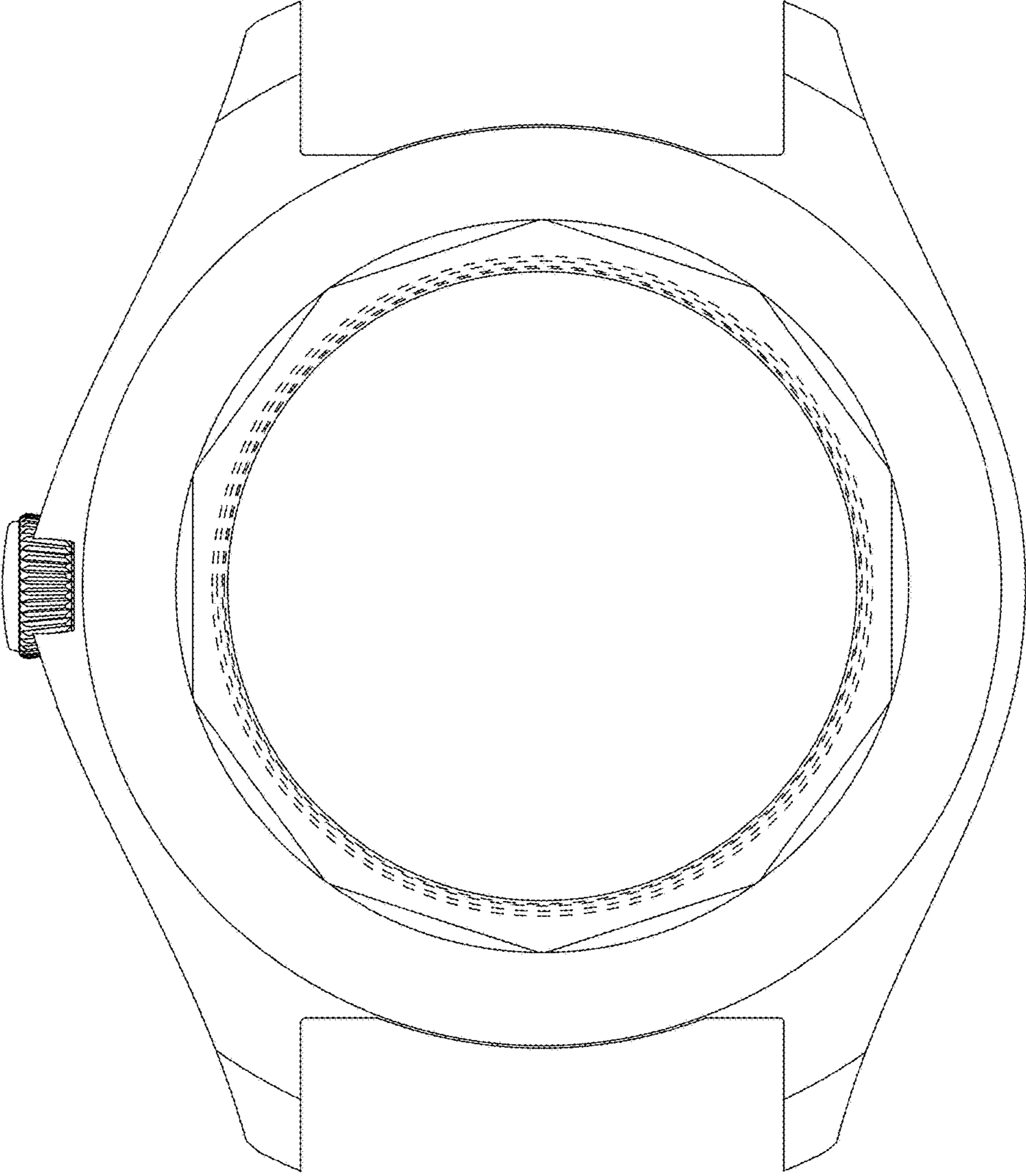


Fig. 2

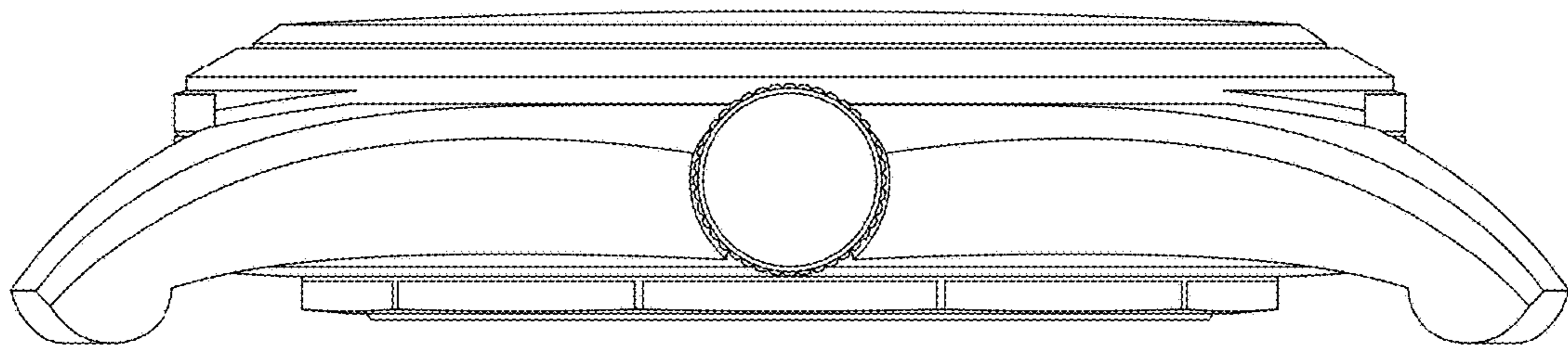


Fig. 3

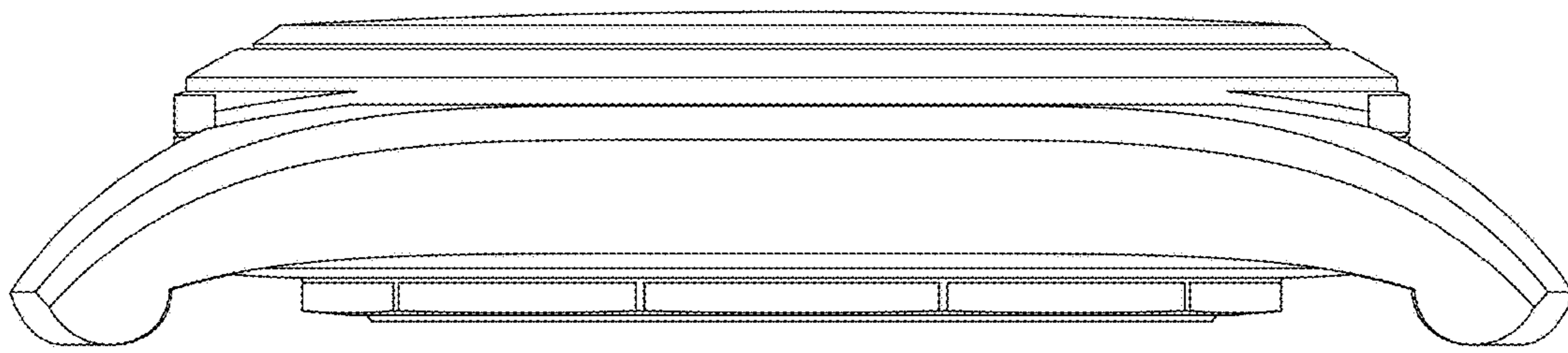


Fig. 4

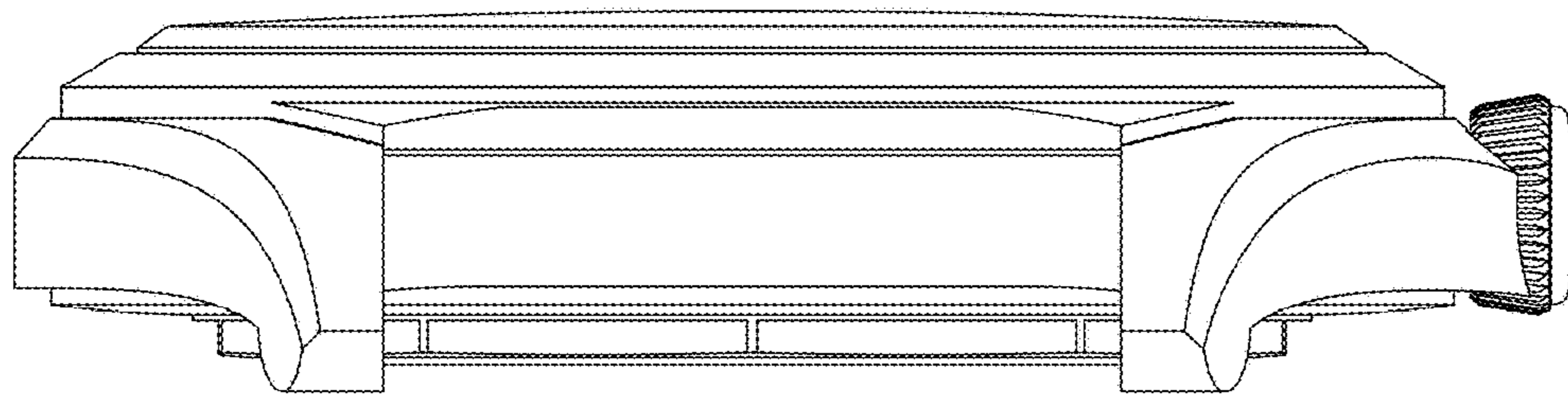


Fig. 5

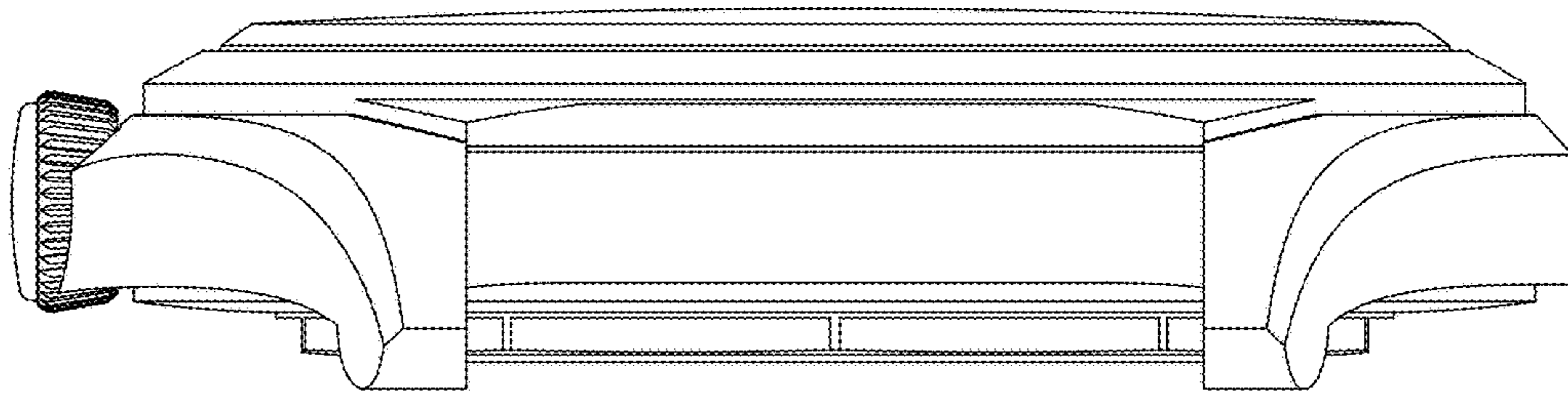


Fig. 6

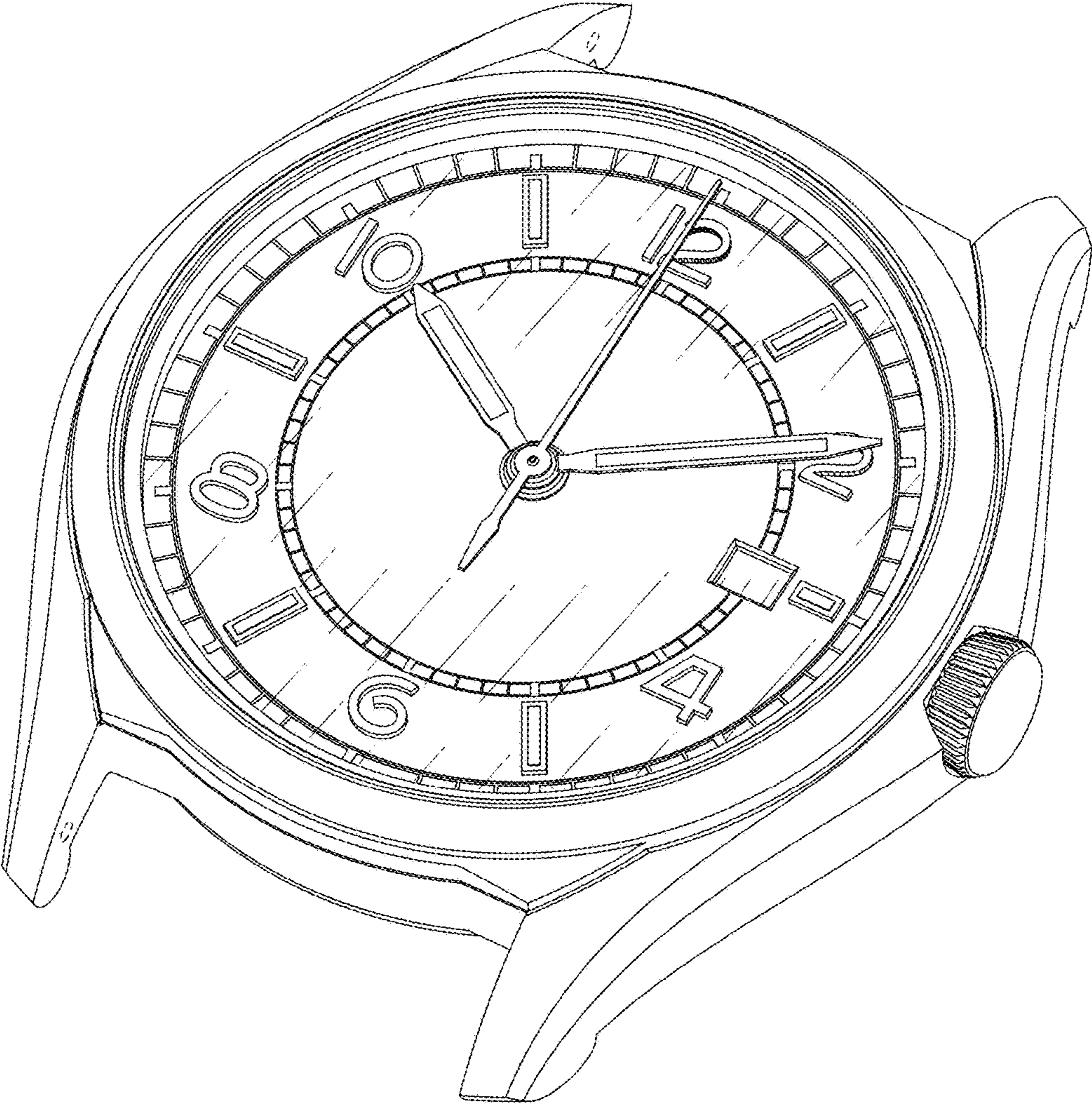


Fig. 7

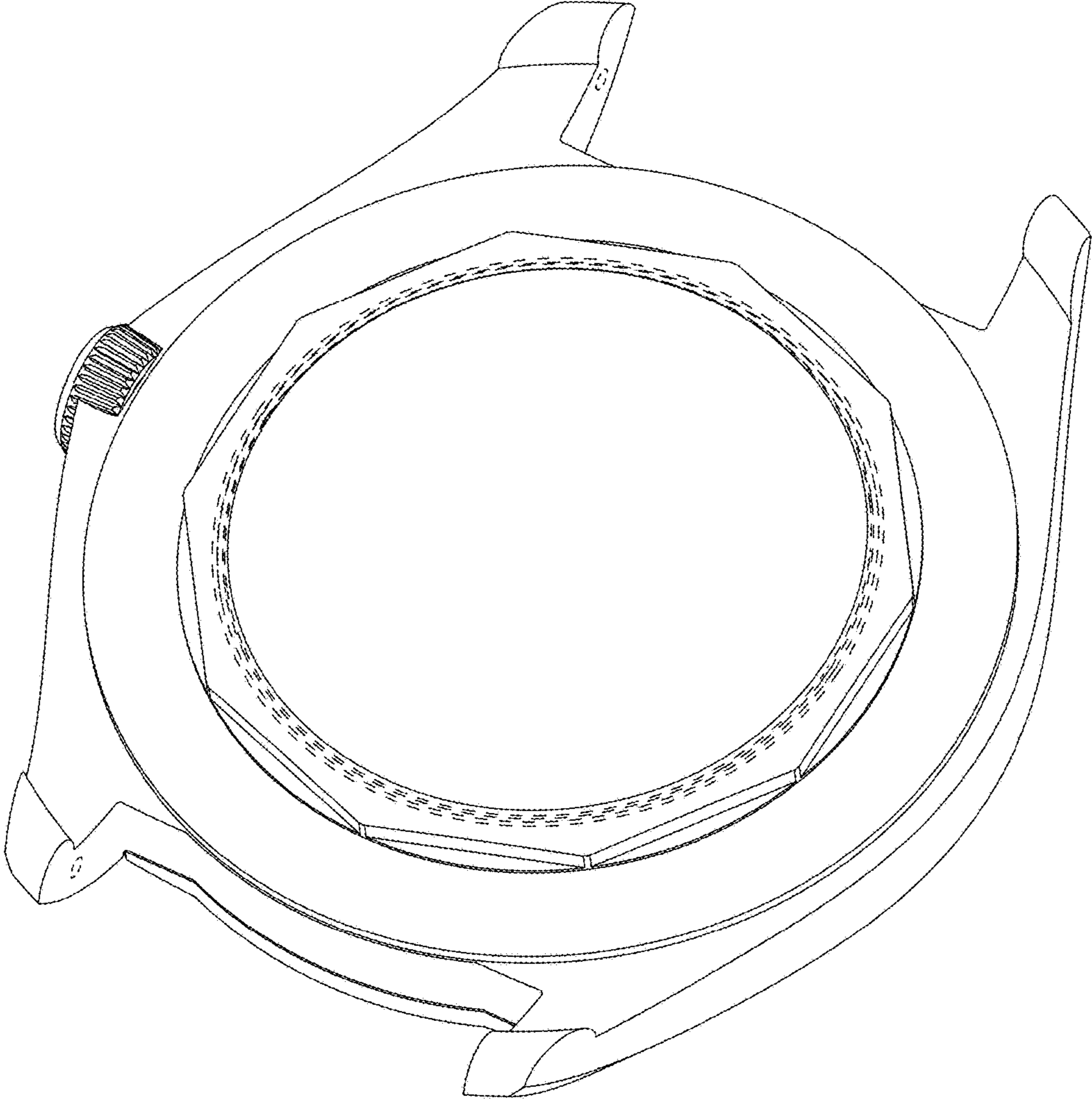


Fig. 8