



US00D854943S

(12) **United States Design Patent**
Requena et al.

(10) **Patent No.:** **US D854,943 S**
(45) **Date of Patent:** **** Jul. 30, 2019**

- (54) **CARTON**
- (71) Applicant: **Graphic Packaging International, LLC, Atlanta, GA (US)**
- (72) Inventors: **Emili Requena, Igualada (ES); Josep Cano De Miguel, Castelloli (ES)**
- (73) Assignee: **Graphic Packaging International, LLC, Atlanta, GA (US)**
- (**) Term: **15 Years**
- (21) Appl. No.: **29/646,500**
- (22) Filed: **May 4, 2018**
- (51) **LOC (11) Cl.** **09-03**
- (52) **U.S. Cl.**
USPC **D9/761; D9/433**
- (58) **Field of Classification Search**
USPC D9/414-423, 424-429, 430-432, 433, D9/434, 456, 457, 500, 520, 549, 558, D9/711, 713, 721-722, 772, 761-762; D3/290, 304, 305, 315; D20/10, 22, 27, D20/40, 42
CPC ... B65D 5/00; B65D 5/02; B65D 5/18; B65D 5/20
See application file for complete search history.

D710,213 S *	8/2014	Birchmeier	D9/711
D730,748 S *	6/2015	Varavarna	D9/753
D764,281 S *	8/2016	Mayer	D9/420
D798,707 S *	10/2017	Mayer	D9/431
D798,736 S *	10/2017	Shoshan	D9/711
D833,865 S *	11/2018	Petty	D9/431
D839,729 S *	2/2019	Oliveira	D9/443

OTHER PUBLICATIONS

Efficient Fruit Packaging fruit packaging. [online] Published Jul. 10, 2014. Retrieved Feb. 4, 2019 from URL: <https://www.trendhunter.com/trends/fruit-packaging>.*

* cited by examiner

Primary Examiner — Vy N Koenig
(74) *Attorney, Agent, or Firm* — Womble Bond Dickinson (US) LLP

(57) **CLAIM**

The ornamental design for a carton, as shown and described.

DESCRIPTION

FIG. 1 is a perspective view of a carton showing our new design.

FIG. 2 is a left elevation view of the carton of FIG. 1, the right elevation view is a mirror image.

FIG. 3 is a front elevation view of the carton of FIG. 1.

FIG. 4 is a rear elevation view of the carton of FIG. 1.

FIG. 5 is a top plan view of the carton of FIG. 1.

FIG. 6 is a bottom plan view of the carton of FIG. 1.

FIG. 7 is a perspective view of the carton of FIG. 1 shown in an open configuration; and,

FIG. 8 is a plan view of the carton of FIG. 1 shown in an unfolded configuration.

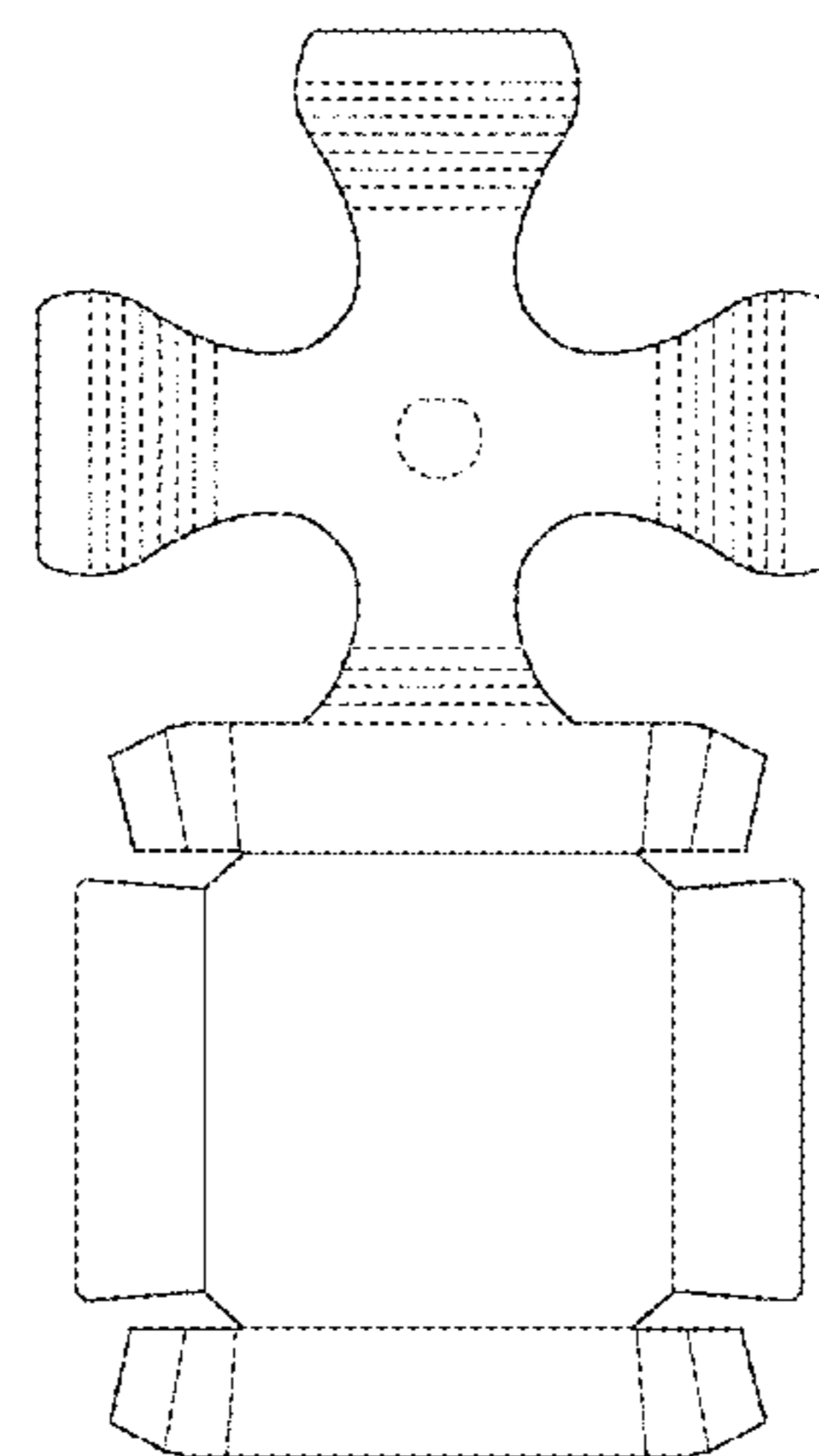
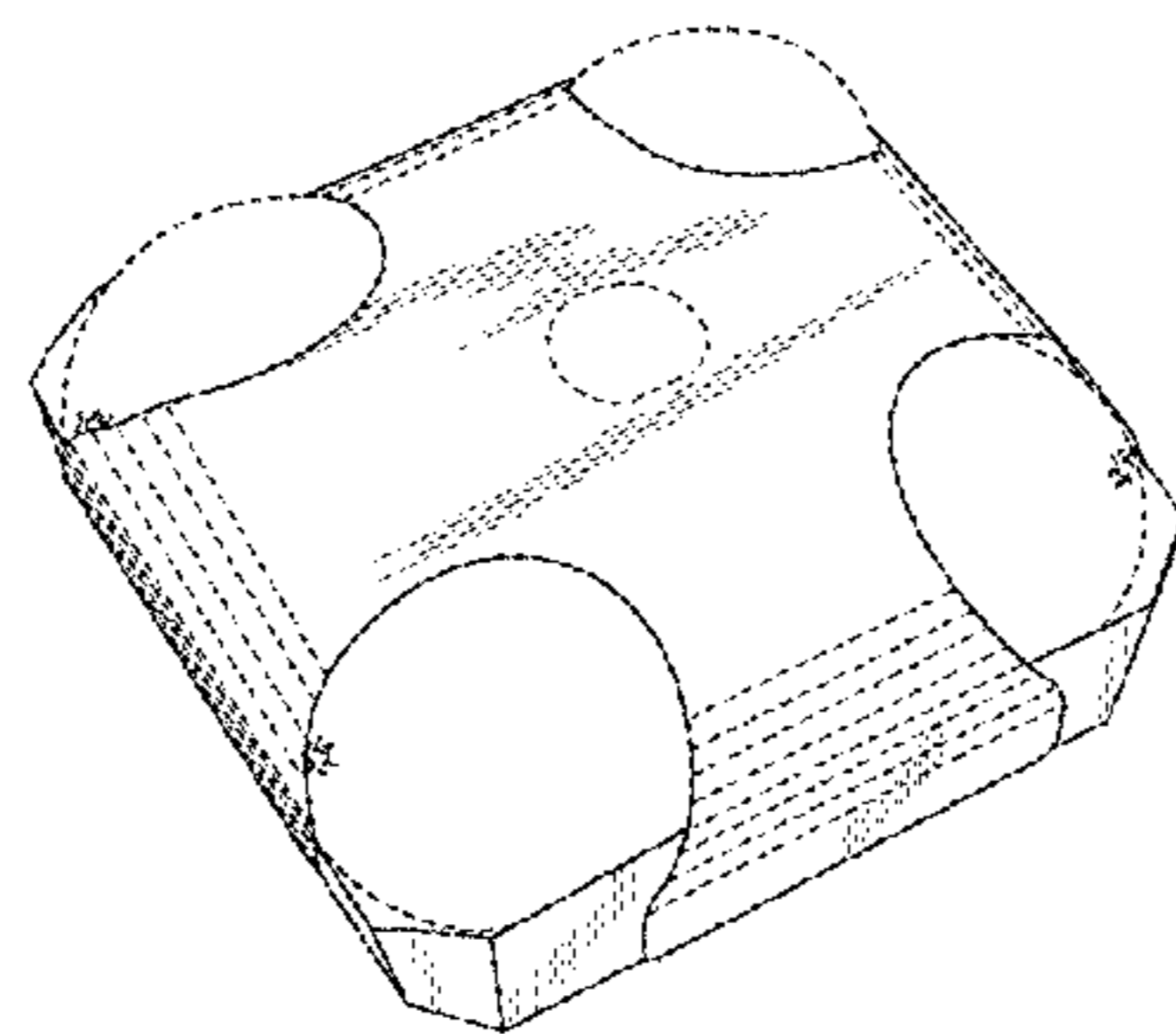
All evenly-spaced broken lines depict environmental subject matter only and form no part of the claimed design.

1 Claim, 8 Drawing Sheets

(56) **References Cited**

U.S. PATENT DOCUMENTS

3,447,672 A *	6/1969	Bailey	B65D 5/2019
				206/511
D436,315 S *	1/2001	Bentolila	D9/430
D534,071 S *	12/2006	Hoff	D9/430
D590,257 S *	4/2009	Matsumoto	D9/457
D668,965 S *	10/2012	Crawford	D9/711
D693,242 S *	11/2013	Birchmeier	D9/711
D694,125 S *	11/2013	Holsmer	D9/753
D709,953 S *	7/2014	Williams	D20/22



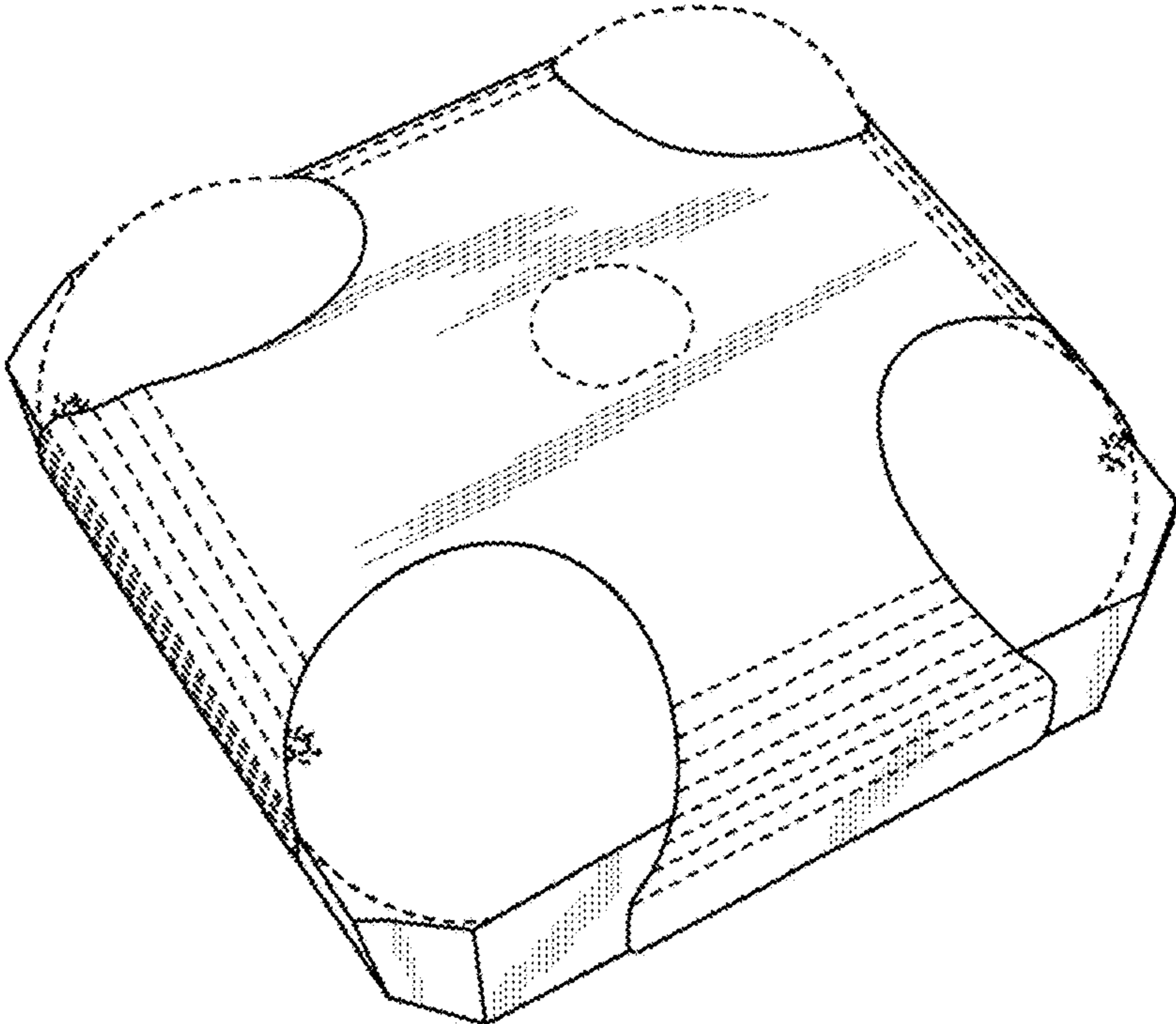


FIG. 1

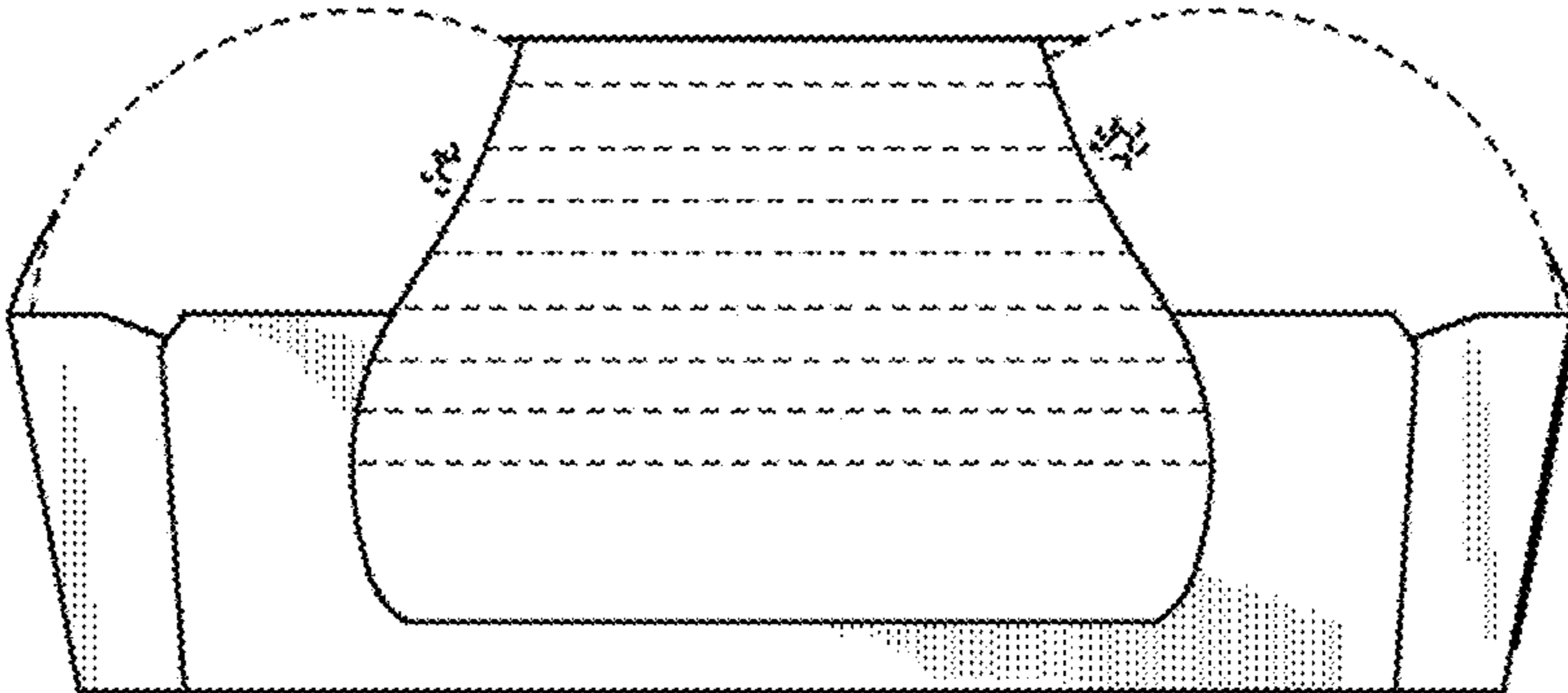


FIG. 2

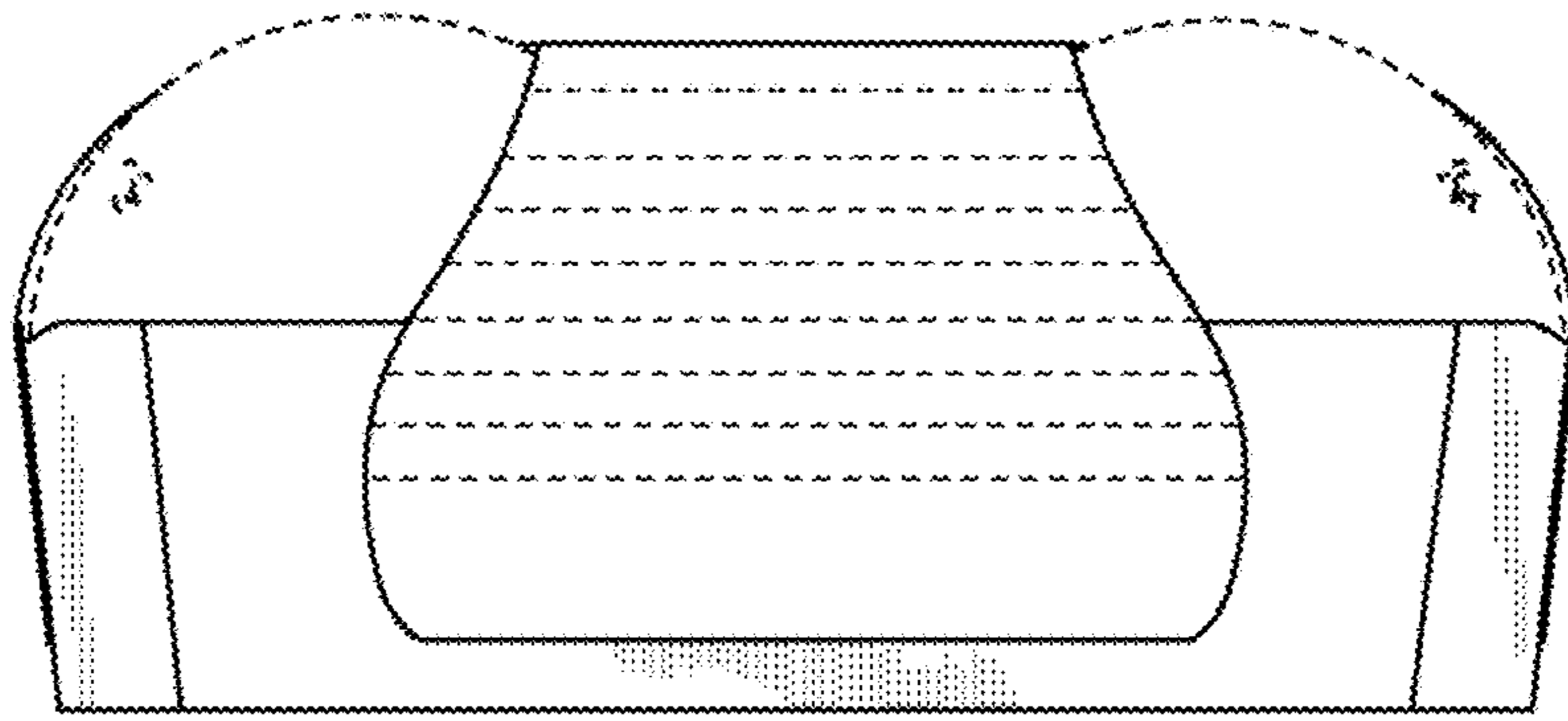


FIG. 3

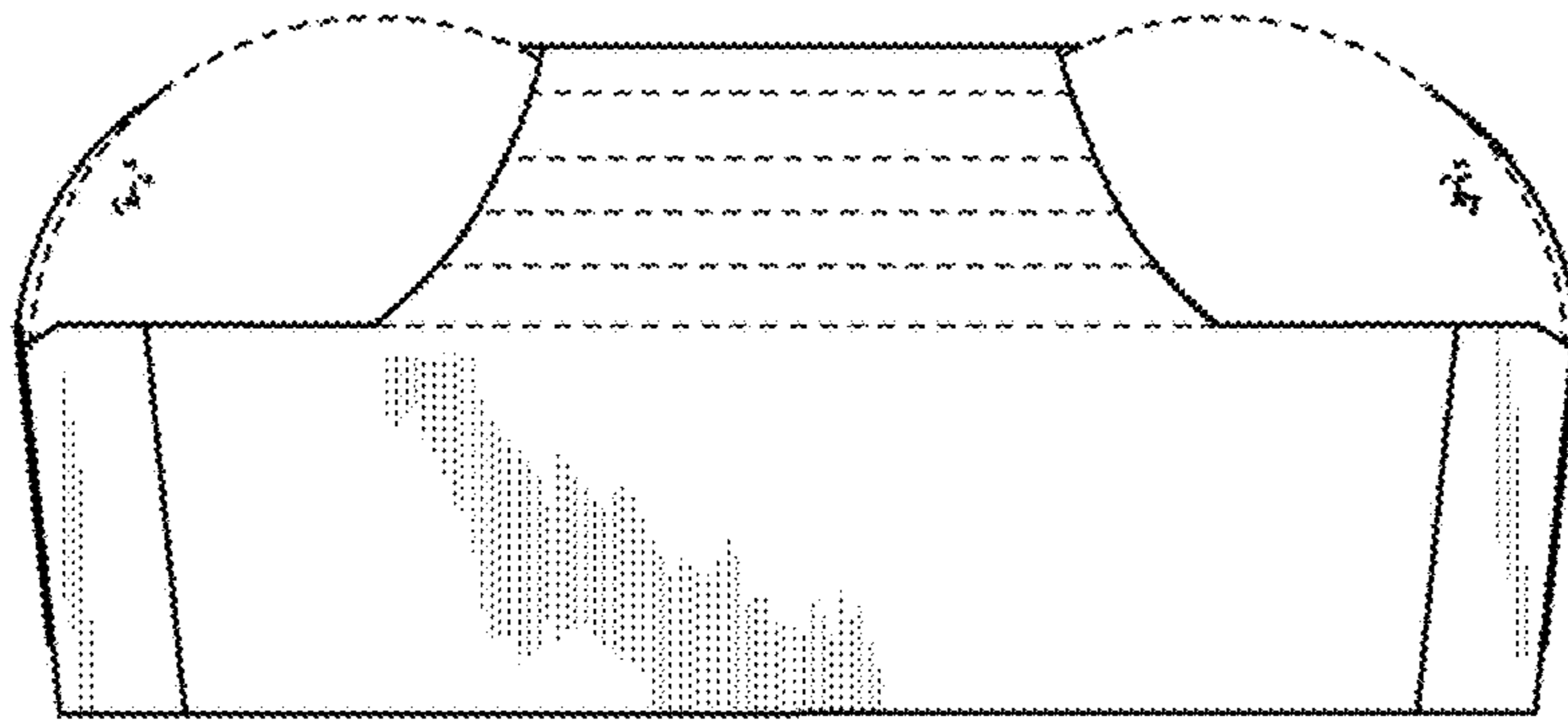


FIG. 4

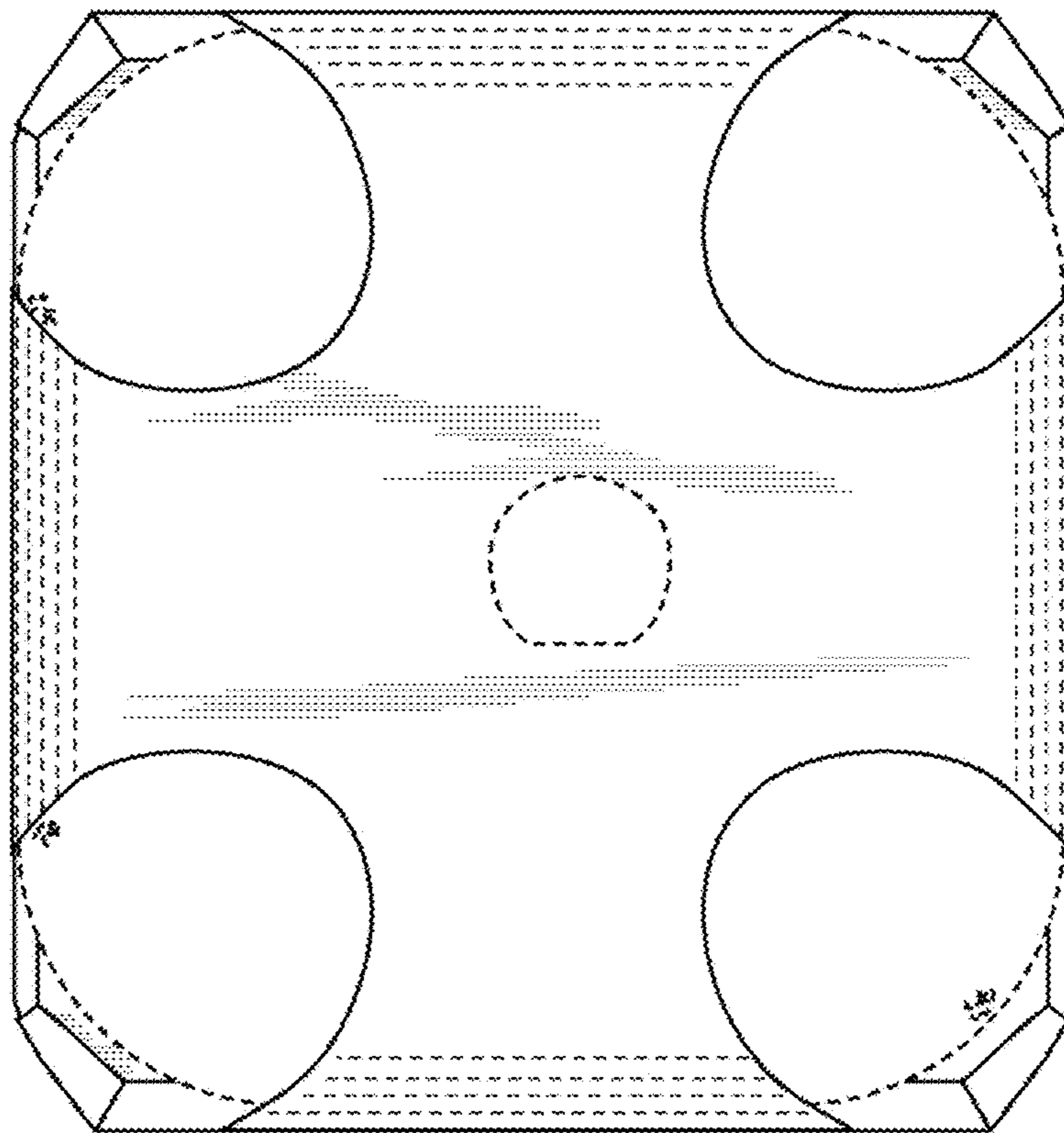


FIG. 5

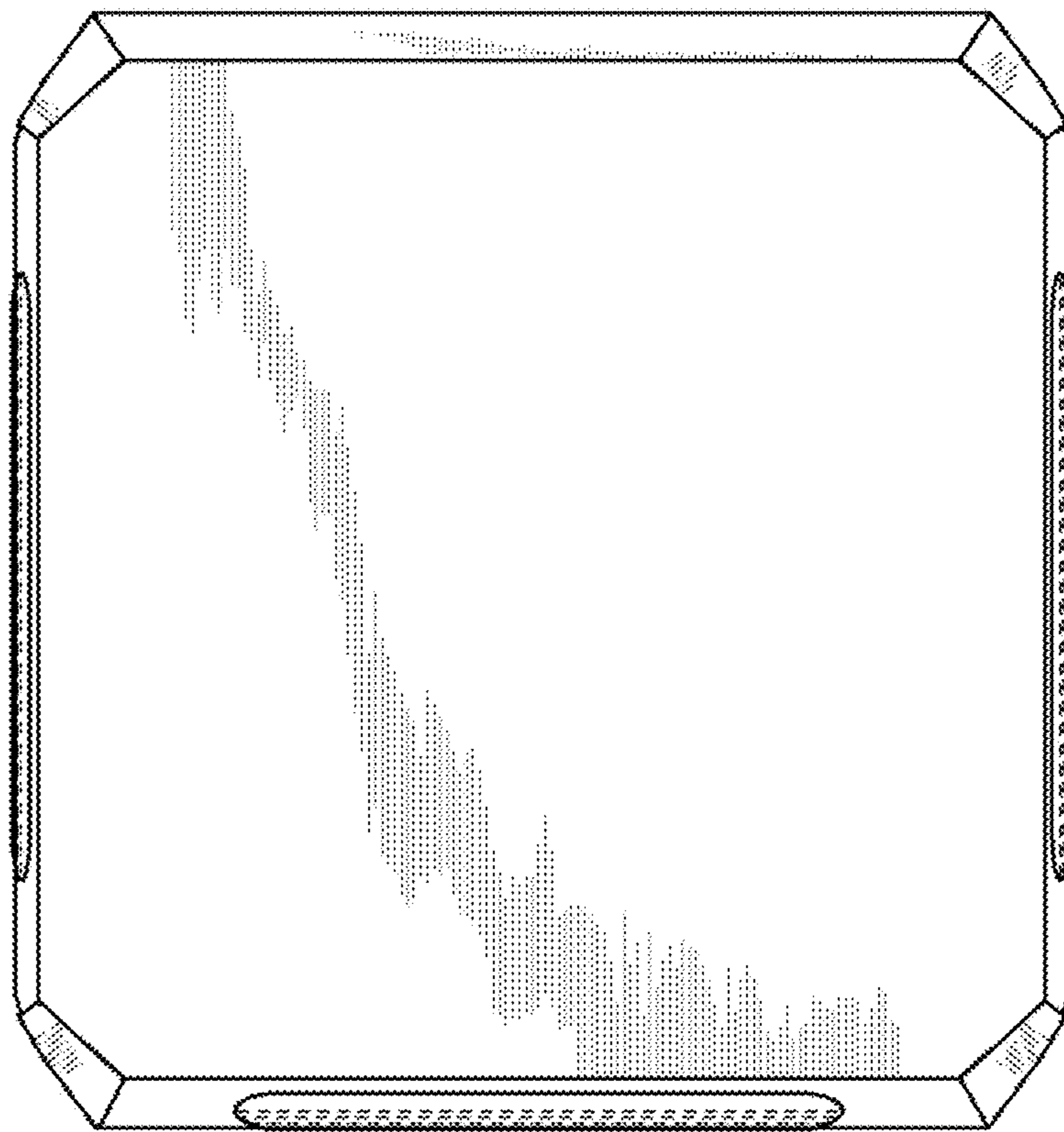


FIG. 6

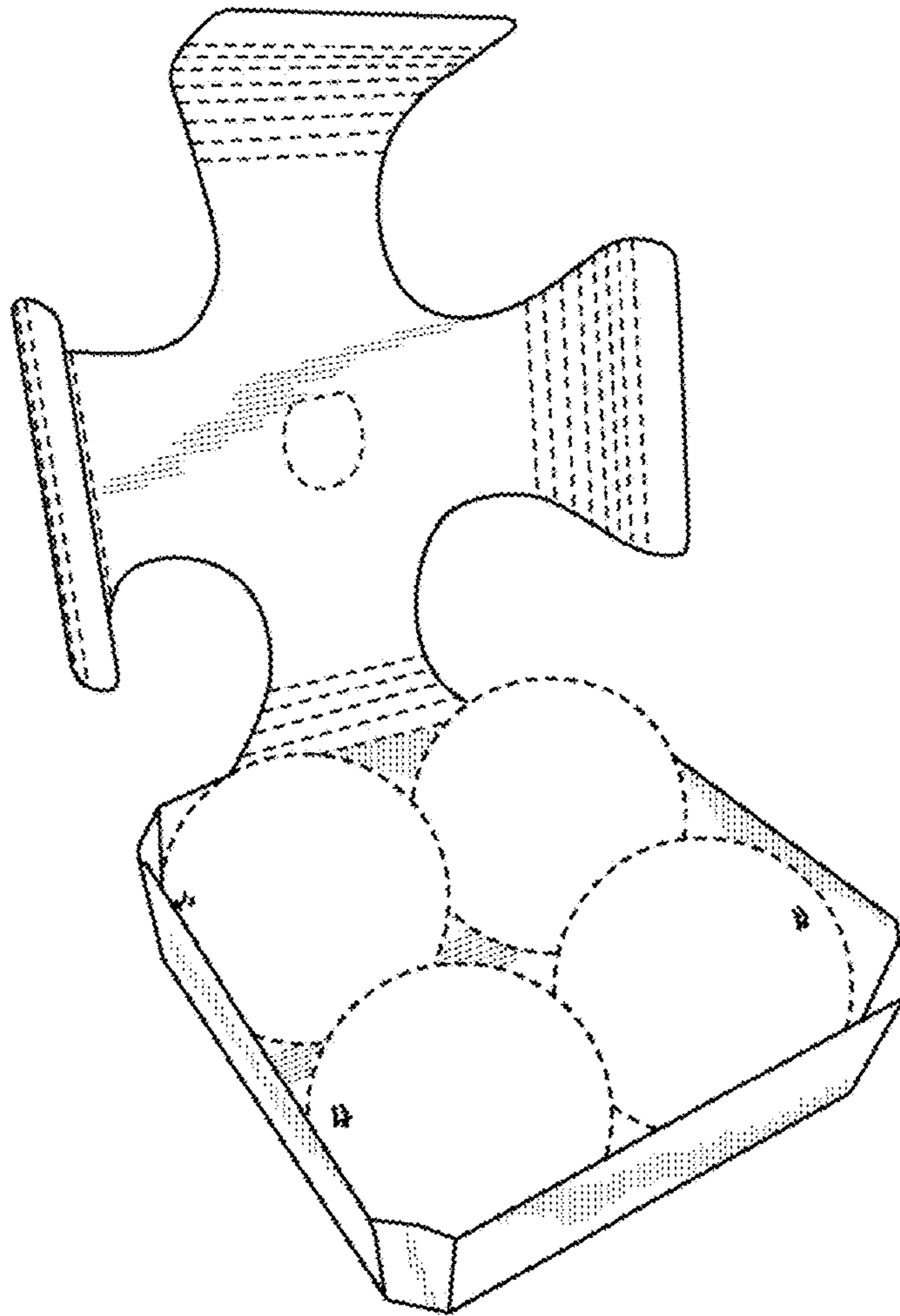


FIG. 7

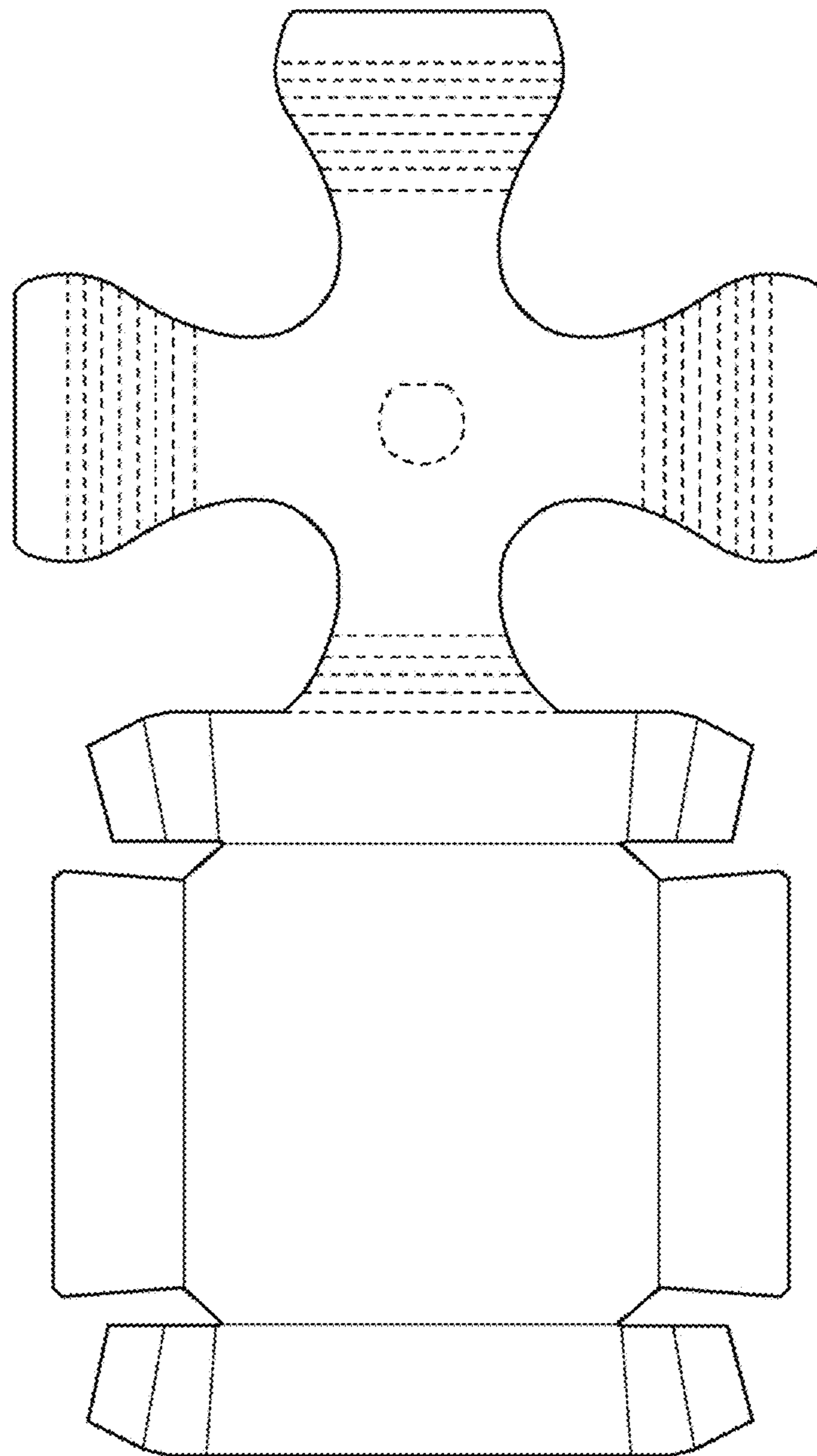


FIG. 8