



US00D854942S

(12) **United States Design Patent** (10) **Patent No.:** **US D854,942 S**  
**Requena et al.** (45) **Date of Patent:** **\*\* Jul. 30, 2019**

(54) **CARTON**  
(71) Applicant: **Graphic Packaging International, LLC, Atlanta, GA (US)**  
(72) Inventors: **Emili Requena, Igualada (ES); Josep Cano De Miguel, Castelloli (ES)**  
(73) Assignee: **Graphic Packaging International, LLC, Atlanta, GA (US)**  
(\*\*) Term: **15 Years**  
(21) Appl. No.: **29/646,498**  
(22) Filed: **May 4, 2018**  
(51) **LOC (11) Cl.** ..... **09-03**  
(52) **U.S. Cl.**  
USPC ..... **D9/761; D9/433**  
(58) **Field of Classification Search**  
USPC ..... D9/414-423, 424-429, 430-432, 433, D9/434, 456, 457, 500, 520, 549, 558, D9/711, 713, 721-722, 772, 761-762; D3/290, 304, 305, 315; D20/10, 22, 27, D20/40, 42  
CPC ... B65D 5/00; B65D 5/02; B65D 5/18; B65D 5/20  
See application file for complete search history.

D828,768 S \* 9/2018 Lebeau ..... D9/737  
D833,860 S \* 11/2018 Lee ..... D9/415  
D839,729 S \* 2/2019 Oliveira ..... D9/443  
2009/0090708 A1\* 4/2009 Requena ..... B65D 81/3453  
219/730

**OTHER PUBLICATIONS**

Cowberry Crossing Farm Egg Packaging on Behance. [online] Published Dec. 8, 2016. Retrieved Feb. 4, 2019 from URL: <https://www.behance.net/gallery/22325357/Cowberry-Crossing-Farm-Egg-Packaging>.  
Unique packaging for apples. [online] Published Nov. 11, 2014. Retrieved Feb. 4, 2019 from URL: <https://www.freshplaza.com/article/130798/Unique-packaging-for-apples/>.

\* cited by examiner

*Primary Examiner* — Vy N Koenig  
(74) *Attorney, Agent, or Firm* — Womble Bond Dickinson (US) LLP

(57) **CLAIM**

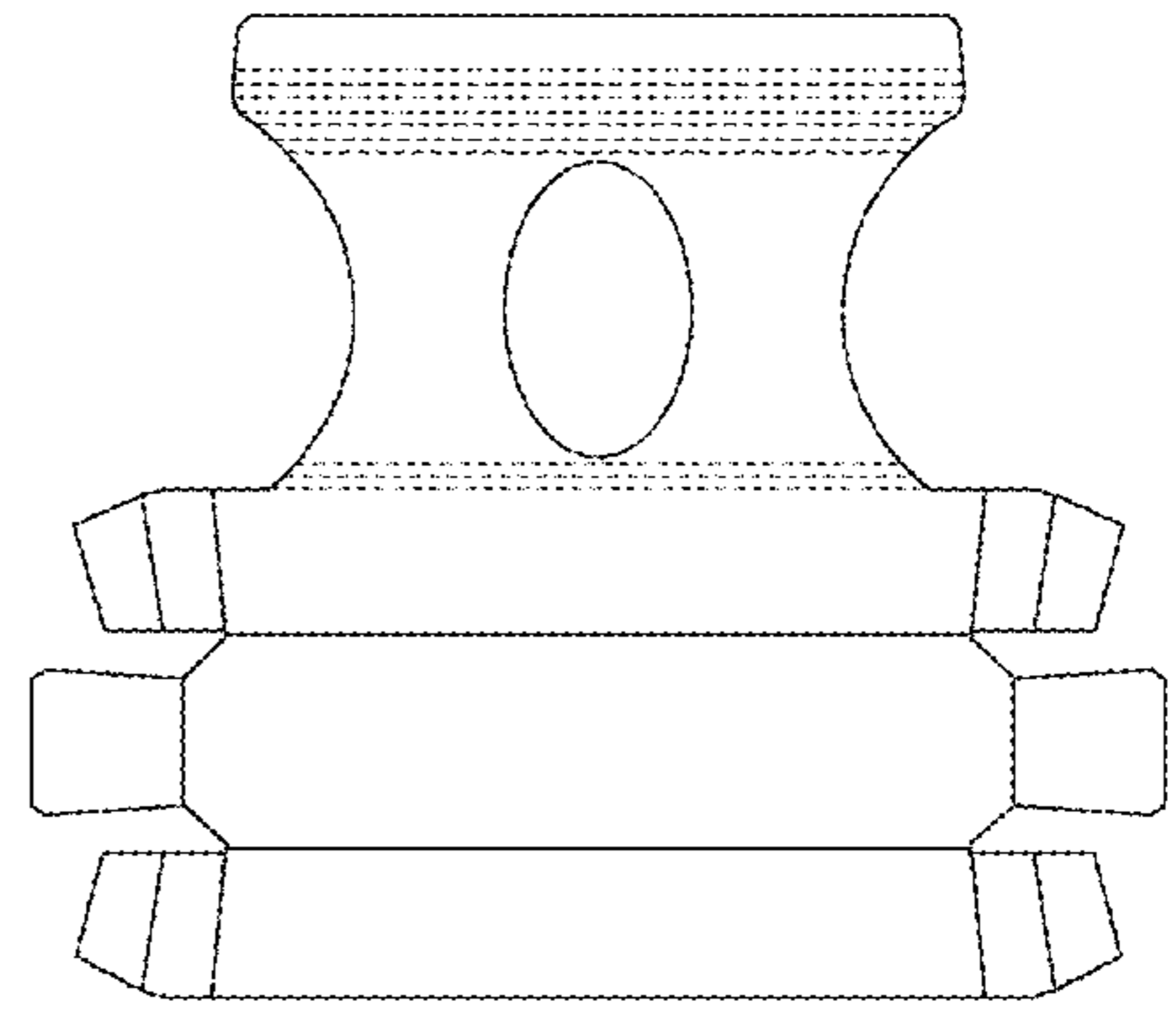
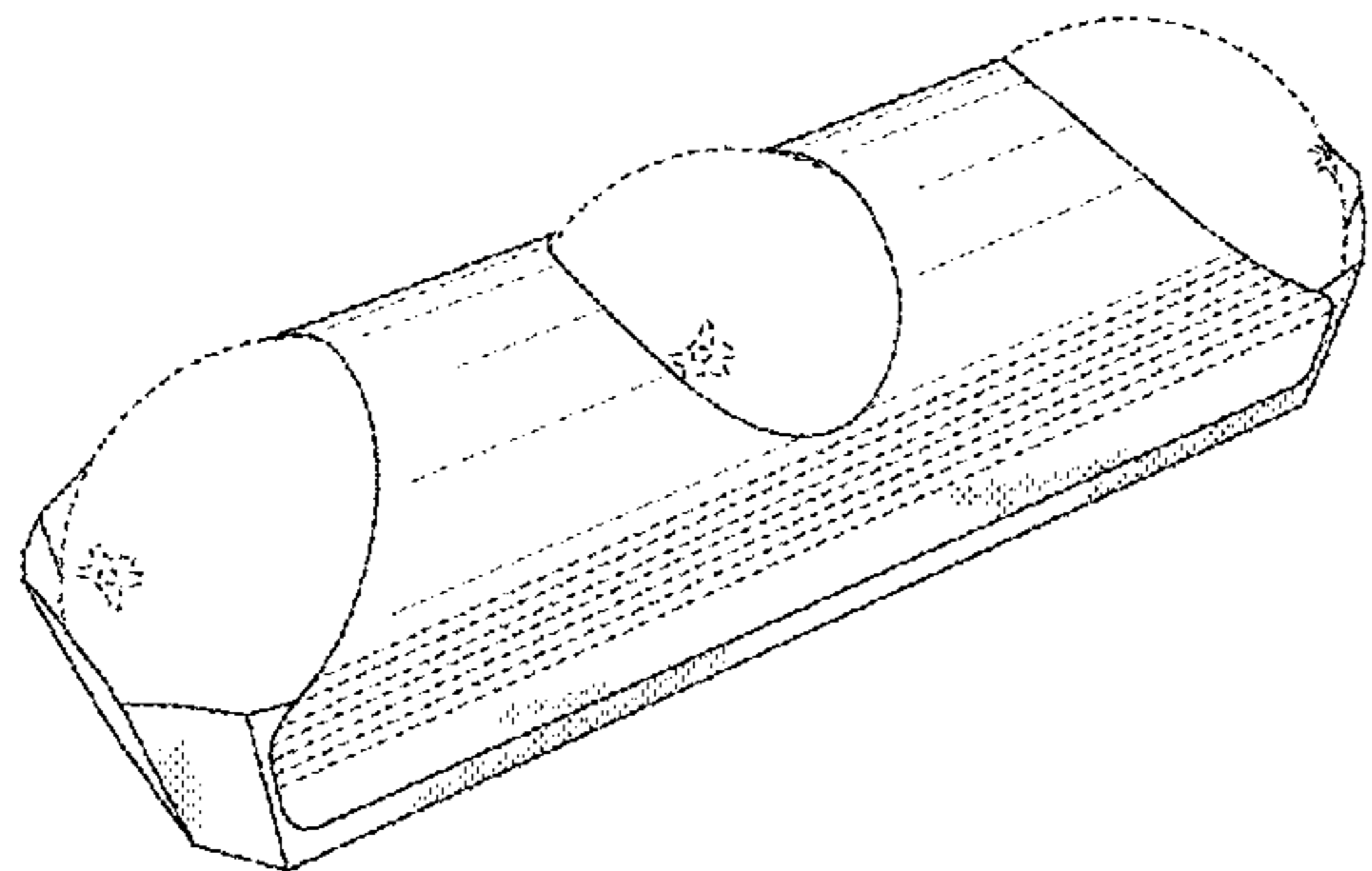
The ornamental design for a carton, as shown and described.

**DESCRIPTION**

FIG. 1 is a perspective view of a carton showing our new design.  
FIG. 2 is a left elevation view of the carton of FIG. 1, the right elevation view is a mirror image.  
FIG. 3 is a front elevation view of the carton of FIG. 1.  
FIG. 4 is a rear elevation view of the carton of FIG. 1.  
FIG. 5 is a top plan view of the carton of FIG. 1.  
FIG. 6 is a bottom plan view of the carton of FIG. 1.  
FIG. 7 is a perspective view of the carton of FIG. 1 shown in an open configuration; and,  
FIG. 8 is a plan view of the carton of FIG. 1 shown in an unfolded configuration.  
All evenly-spaced broken lines depict environmental subject matter only and form no part of the claimed design.

**1 Claim, 8 Drawing Sheets**

(56) **References Cited**  
U.S. PATENT DOCUMENTS  
D394,385 S \* 5/1998 Laughlin ..... D9/431  
D496,265 S \* 9/2004 Dossett ..... D9/415  
D590,257 S \* 4/2009 Matsumoto ..... D9/457  
D703,527 S \* 4/2014 Fuller ..... D9/418  
D711,218 S \* 8/2014 Jacobs ..... D9/414  
D723,022 S \* 2/2015 Miles ..... D14/253  
D760,598 S \* 7/2016 White ..... D9/711  
D798,737 S \* 10/2017 Miller ..... D9/711  
D809,911 S \* 2/2018 Moskovich ..... D9/415  
D826,706 S \* 8/2018 Moskovich ..... D9/415  
D828,766 S \* 9/2018 Latour ..... D9/711



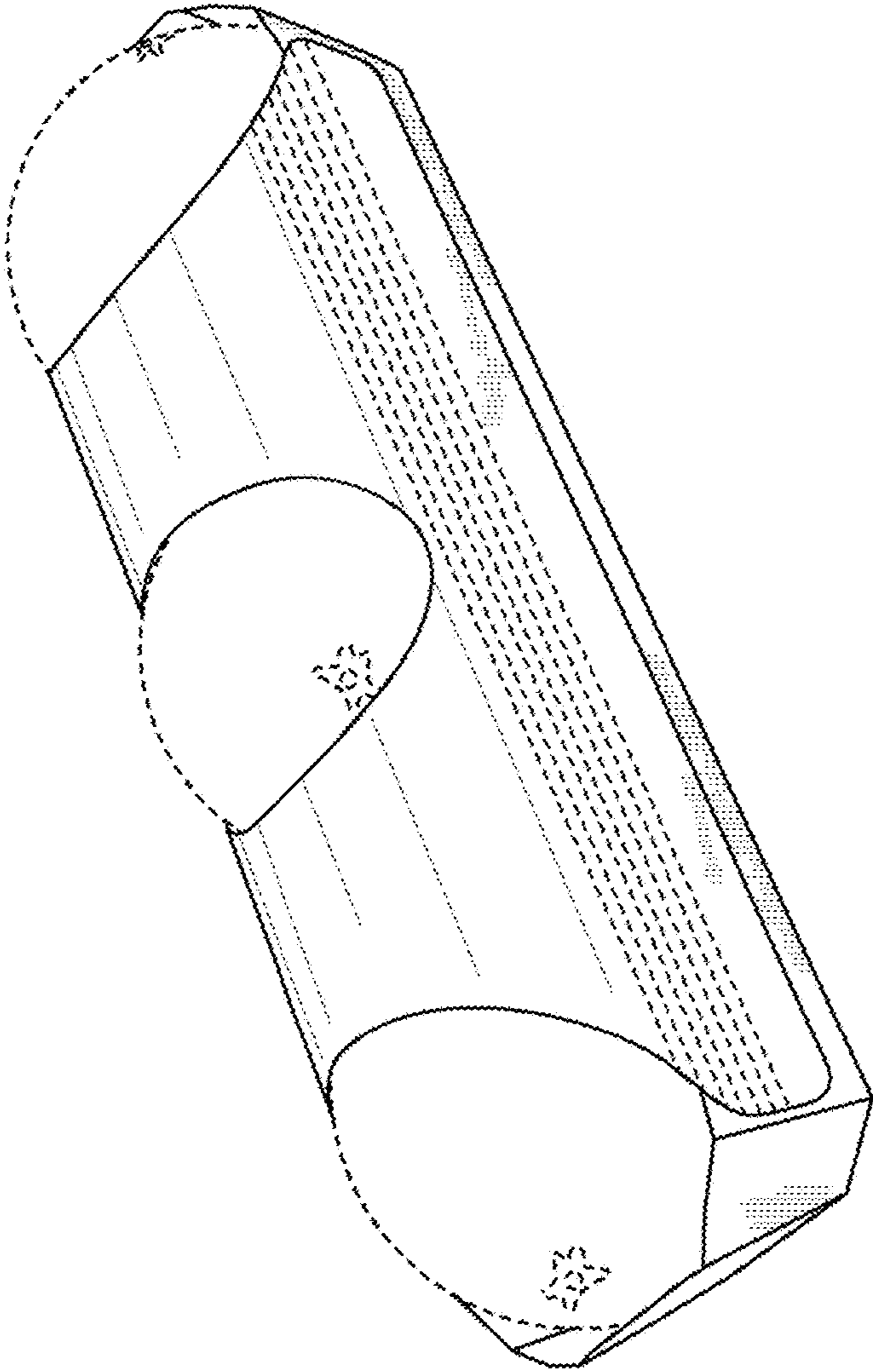


FIG. 1

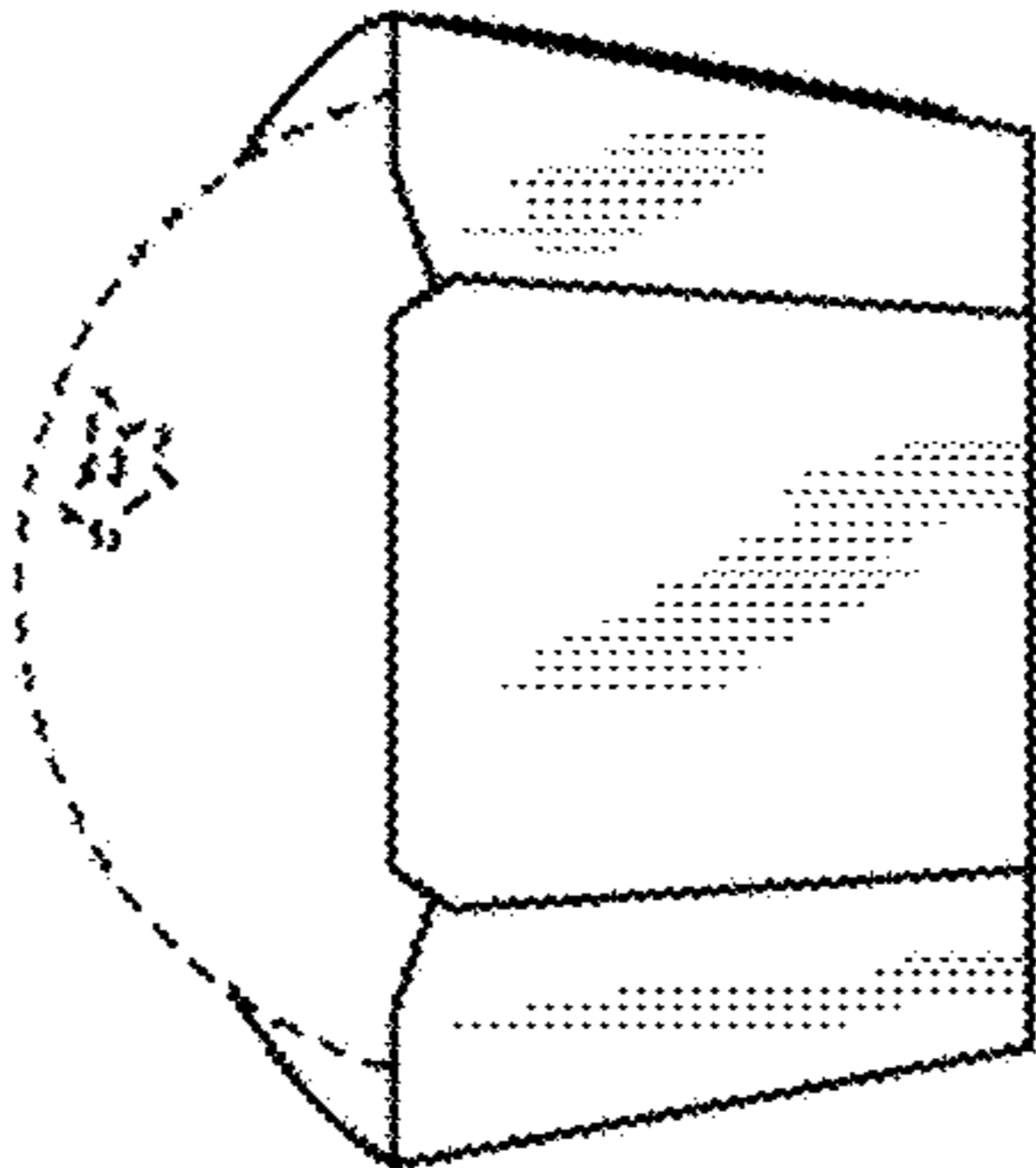


FIG. 2

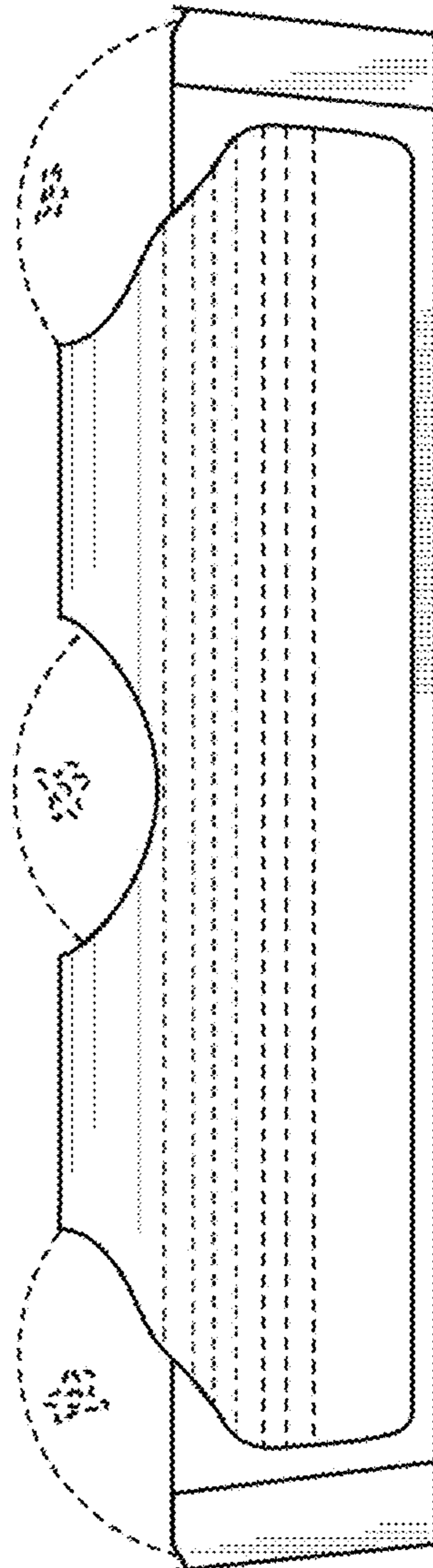


FIG. 3

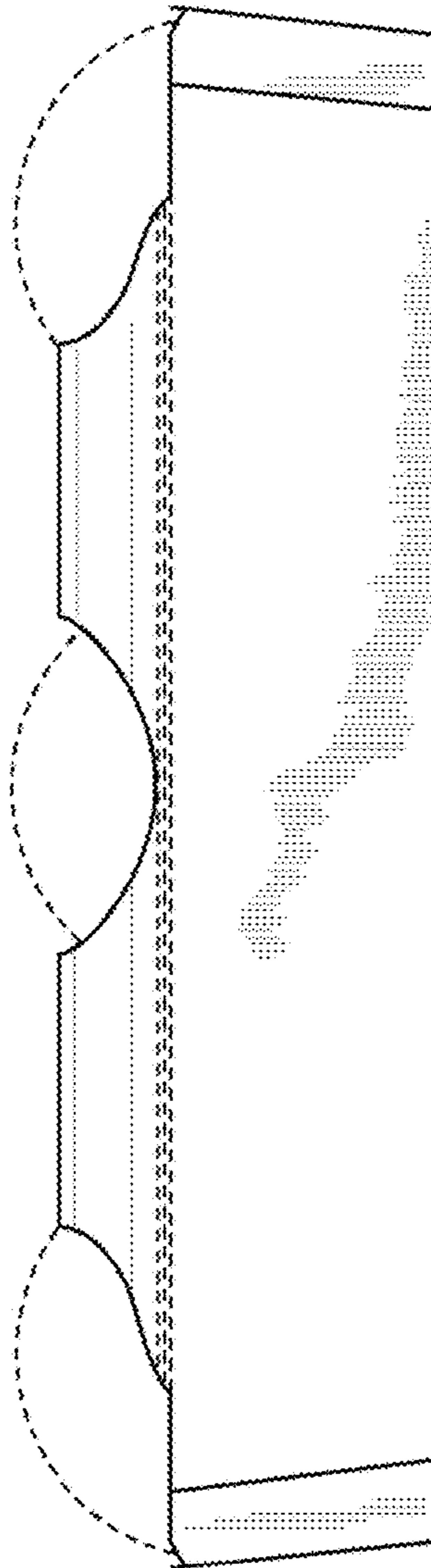


FIG. 4

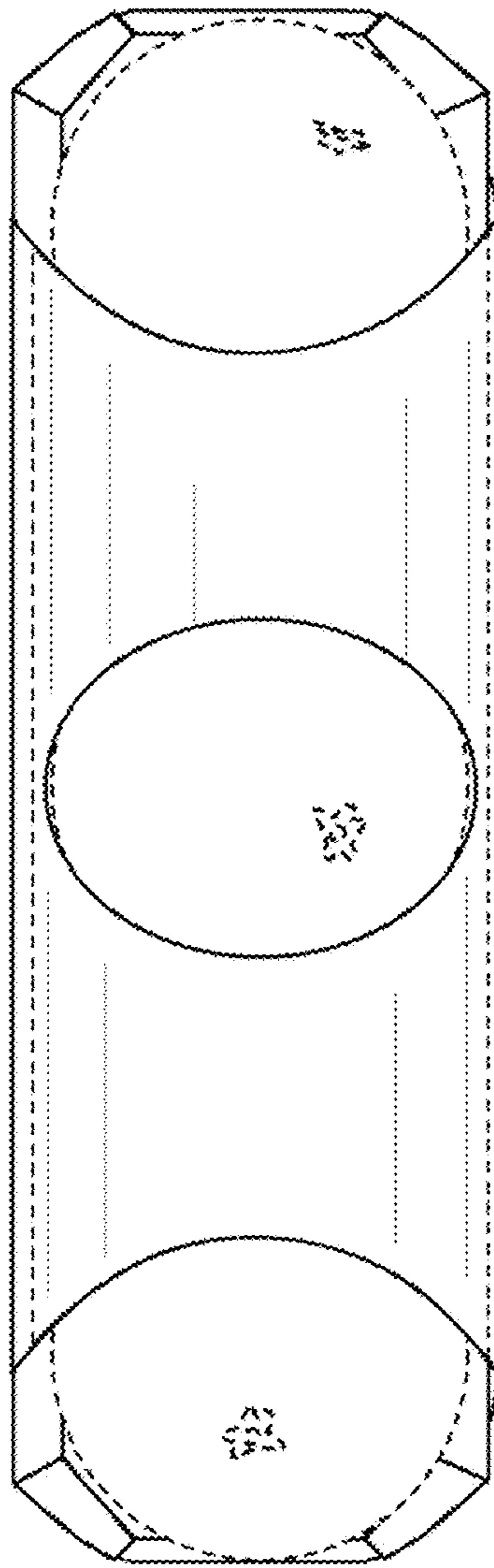


FIG. 5

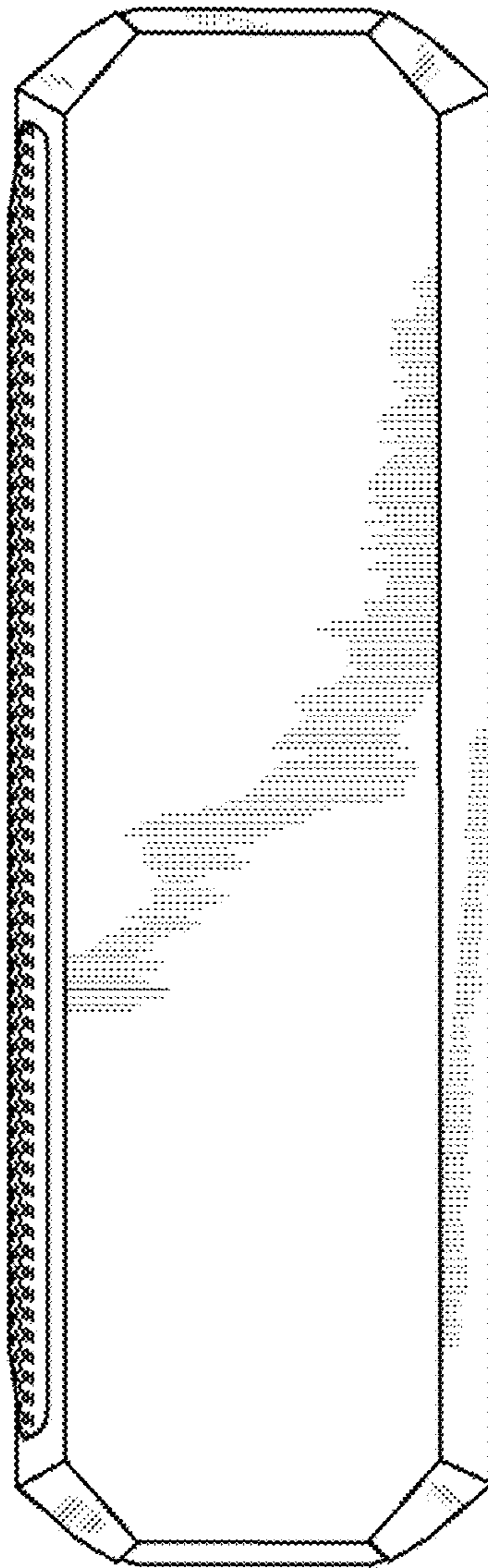


FIG. 6

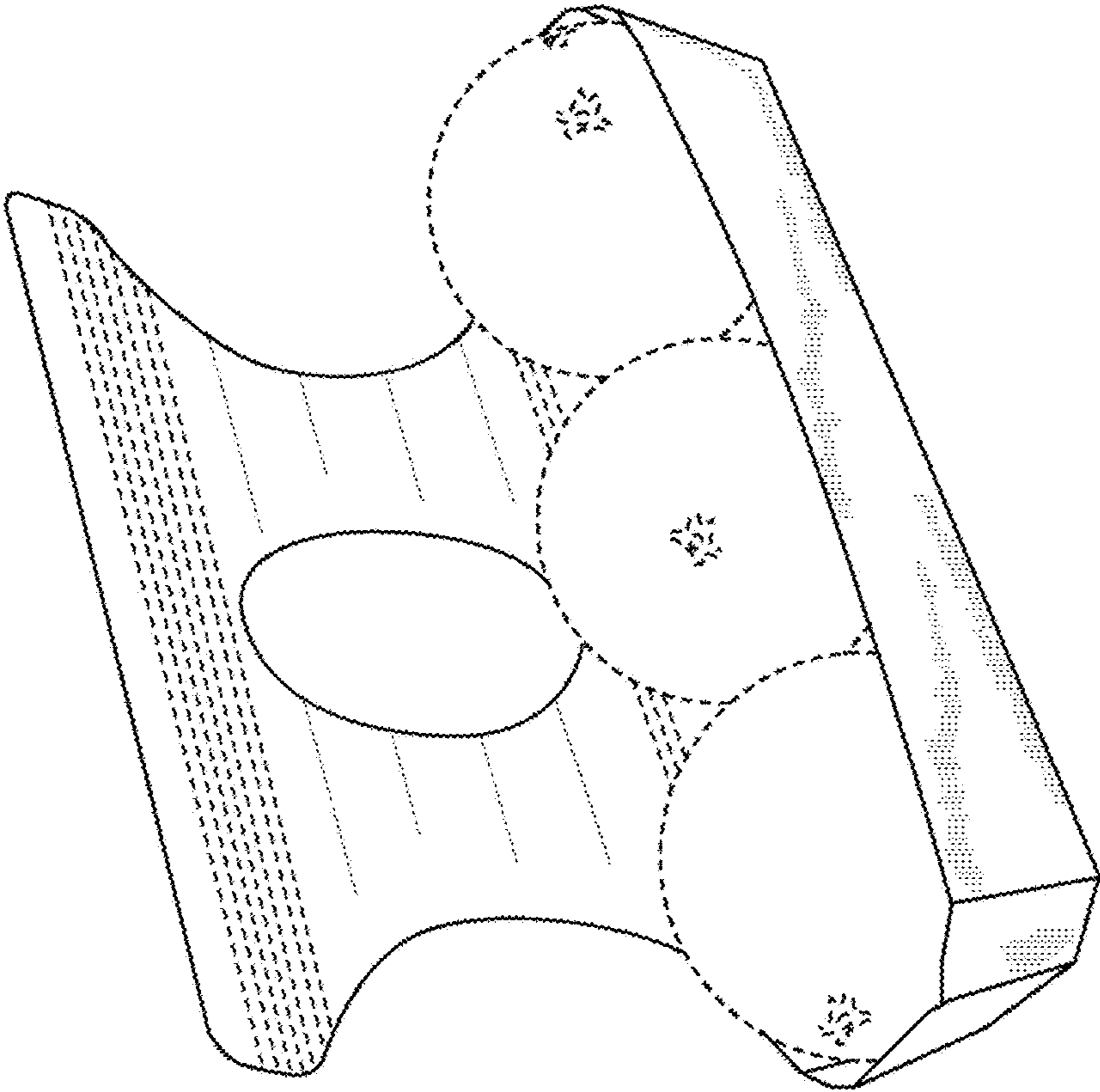


FIG. 7



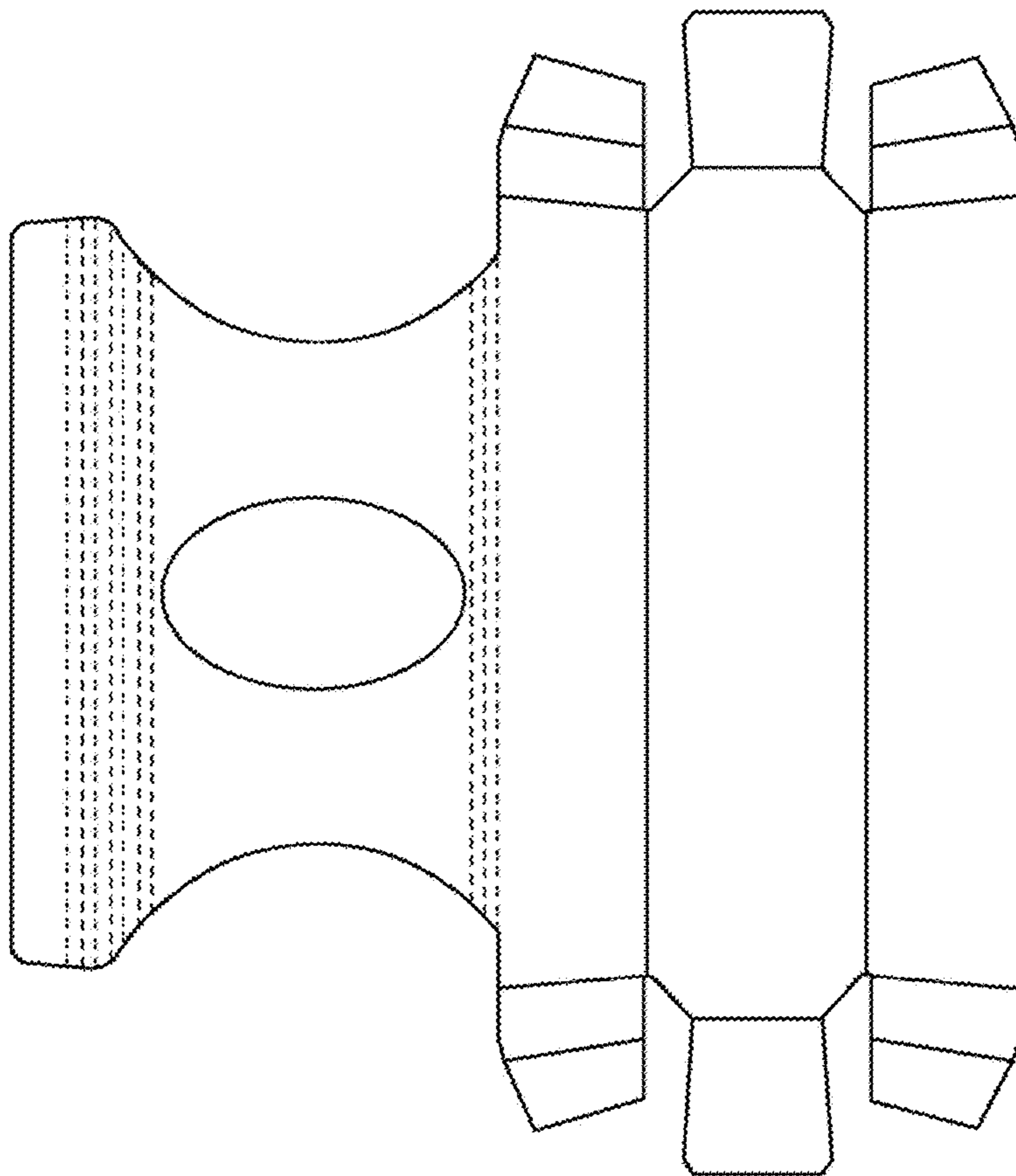


FIG. 8