



US00D854940S

(12) **United States Design Patent** (10) **Patent No.:** **US D854,940 S**
Estlinbaum et al. (45) **Date of Patent:** **** Jul. 30, 2019**

(54) **POUCH**

B65D 81/00; B65D 81/02; B65D 47/00;
B65D 47/02; B65D 47/04; B65D 47/06

(71) Applicant: **SWEET-SEED, LLC**, Fayetteville, NY
(US)

See application file for complete search history.

(72) Inventors: **Justin Estlinbaum**, Fairport, NY (US);
Michael Cerio, Fayetteville, NY (US);
Joshua Stasik, Marcellus, NY (US)

(56) **References Cited**

U.S. PATENT DOCUMENTS

(73) Assignee: **SWEET-SEED, LLC**, Fayetteville, NY
(US)

D213,479 S	3/1969	Williams
D237,018 S	9/1975	Betka et al.
D243,121 S	1/1977	Ralston, Jr. et al.
D271,805 S	12/1983	Larkin et al.
D272,762 S	2/1984	Tanner, II
D278,974 S	5/1985	Ray
D291,491 S	8/1987	Larkin
D300,004 S	2/1989	Korey
D304,546 S	11/1989	Cattach
5,307,955 A	5/1994	Viegas
D413,258 S	8/1999	Voller
D425,786 S	5/2000	Voller

(Continued)

(**) Term: **15 Years**

(21) Appl. No.: **29/649,306**

(22) Filed: **May 29, 2018**

(51) **LOC (11) Cl.** **09-05**

(52) **U.S. Cl.**

USPC **D9/707**

(58) **Field of Classification Search**

USPC D9/702-714, 429-432, 447, 720, 414,
D9/434-435, 696, 716, 771, 522,
D9/571-575, 682, 738-747, 516-517,
D9/529-530, 547-549, 569, 537-538,
D9/544, 503-505, 545; 383/6, 9, 22, 96,
383/61.1, 80-81, 104, 901, 63, 203, 107,
383/119, 120, 123; D24/118, 207;
222/92, 107, 206; 604/316, 403, 410,
604/408; 220/495.03, 669, 675;
215/381-385, 12.1; D3/202, 303, 232,
D3/244

CPC B65D 1/00; B65D 1/0223; B65D 1/24;
B65D 1/38; B65D 1/02; B65D 11/00;
B65D 11/02; B65D 11/04; B65D 11/10;
B65D 11/14; B65D 11/20; B65D 29/00;
B65D 29/02; B65D 29/04; B65D 33/00;
B65D 33/02; B65D 41/00; B65D 41/02;

OTHER PUBLICATIONS

Packaging and Print Media, "Stand-Up Pouches—Onwards and Upwards", 2016, 20 pages.

Primary Examiner — Abraham Bahta

(74) *Attorney, Agent, or Firm* — Duane Morris LLP;
Gregory M. Lefkowitz; Jason M. Nolan

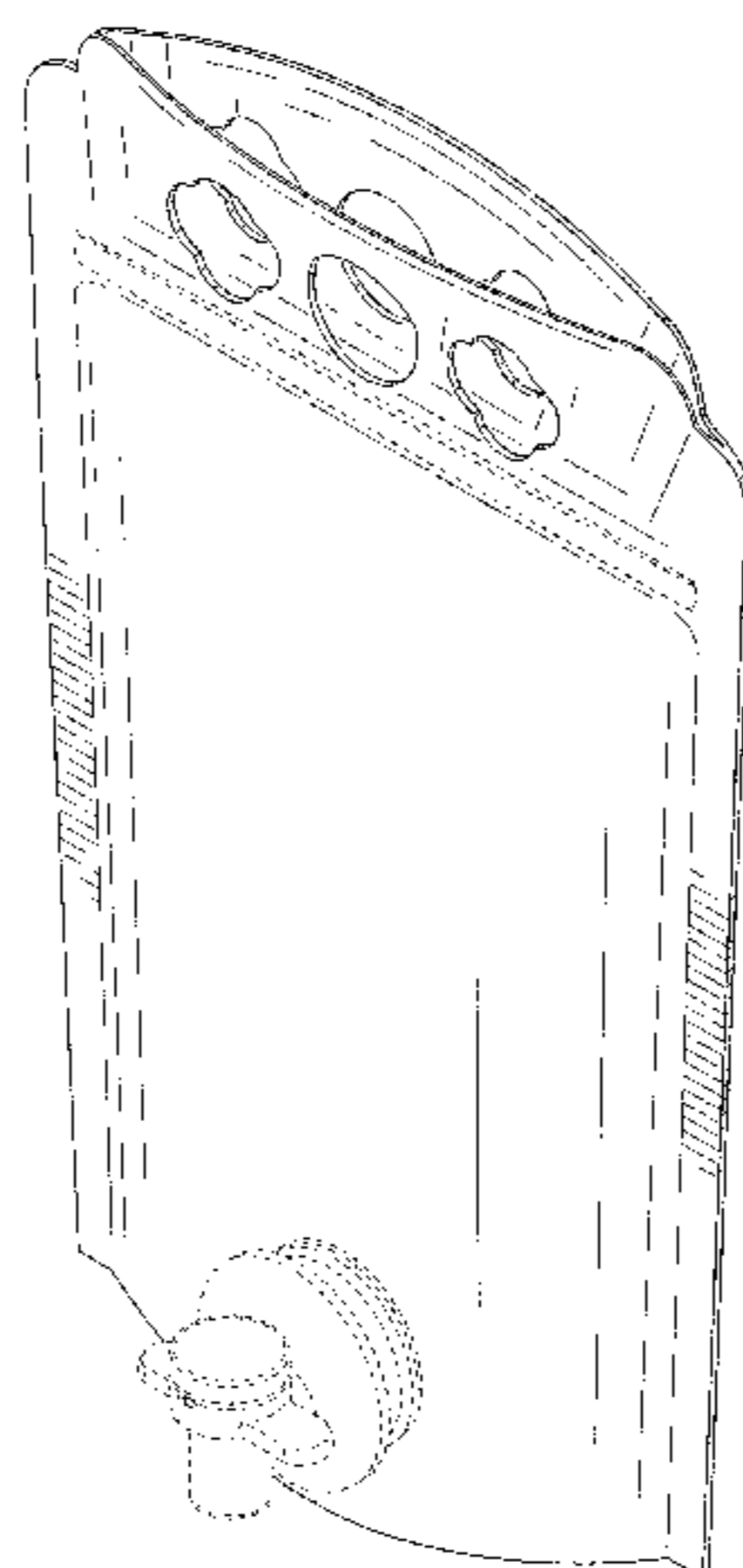
(57) **CLAIM**

The ornamental design for a pouch, as shown and described.

DESCRIPTION

FIG. 1 is a perspective view in accordance with a pouch design;
FIG. 2 is a front view of the design of FIG. 1;
FIG. 3 is a rear view of the design of FIG. 1;
FIG. 4 is a right side view of the design of FIG. 1;
FIG. 5 is a left side view of the design of FIG. 1;
FIG. 6 is a top view of the design of FIG. 1; and,
FIG. 7 is a bottom view of the design of FIG. 1.

(Continued)



The broken lines are for environment purposes only and form no part of the claimed design. The pouch has no specific size.

1 Claim, 6 Drawing Sheets

(56) **References Cited**

U.S. PATENT DOCUMENTS

6,105,821	A	8/2000	Christine et al.	
D448,988	S	10/2001	Bell et al.	
D451,793	S	12/2001	Berman	
D470,758	S	2/2003	Bakersmith	
D478,504	S	8/2003	Crozet et al.	
D505,540	S	5/2005	Lien	
D512,648	S	12/2005	Smith et al.	
D512,651	S	12/2005	Stefandl	
D558,596	S	1/2008	Berman	
D558,601	S	1/2008	Berman	
D582,788	S *	12/2008	Smith	D9/708
D597,856	S	8/2009	Sherrill et al.	
D676,763	S	2/2013	Kenmotsu et al.	
D680,446	S *	4/2013	Moynihan	D9/709
D680,880	S	4/2013	Johnson et al.	
D699,128	S	2/2014	Moynihan	
D701,774	S	4/2014	Steigelman	
D711,251	S	8/2014	Epstein et al.	
D762,015	S	7/2016	Pietrocarlo et al.	
D764,930	S	8/2016	Contessa et al.	
D786,090	S *	5/2017	Murray	D9/707
D822,503	S *	7/2018	Moynihan	D9/707
D838,188	S *	1/2019	Utter	D9/707

* cited by examiner

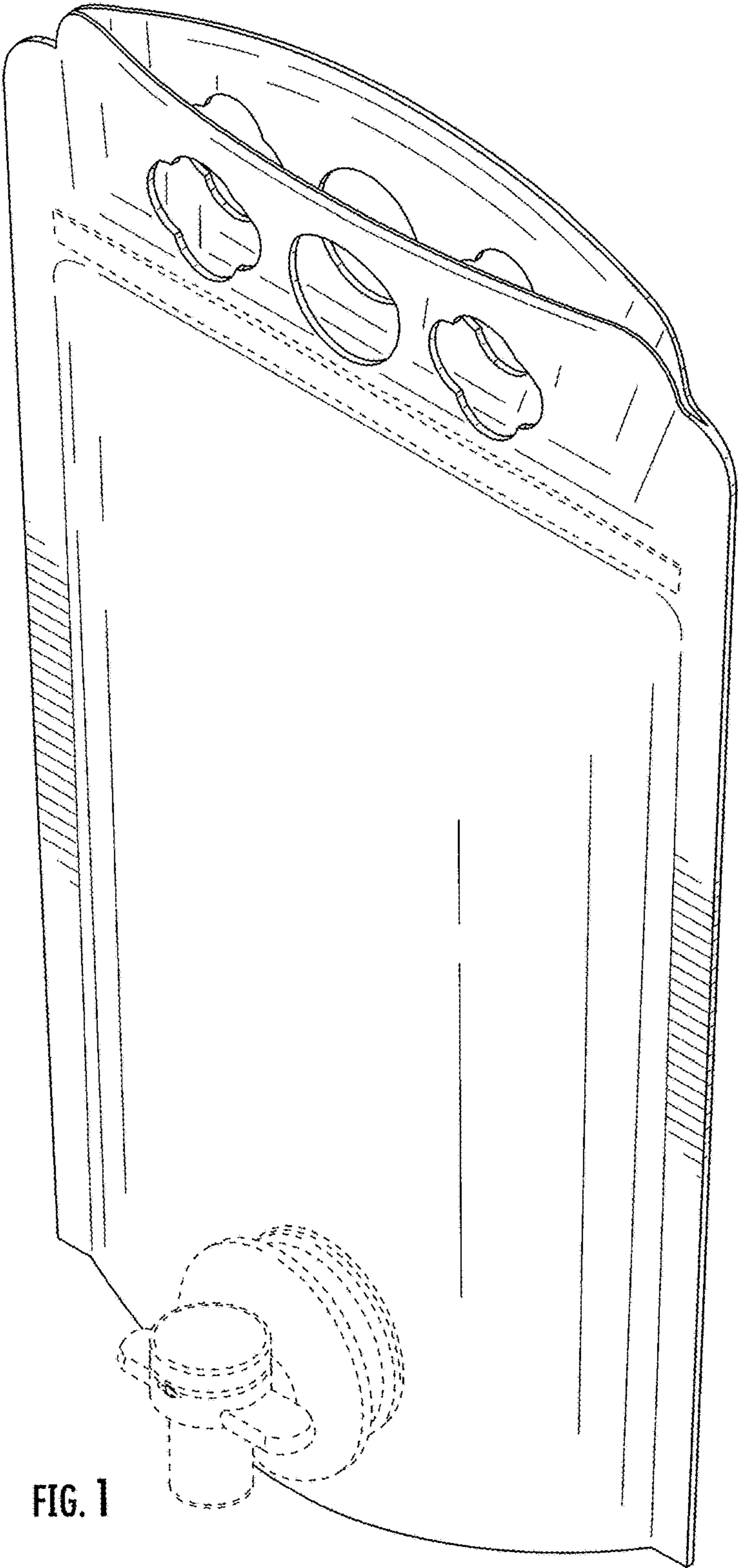


FIG. 1

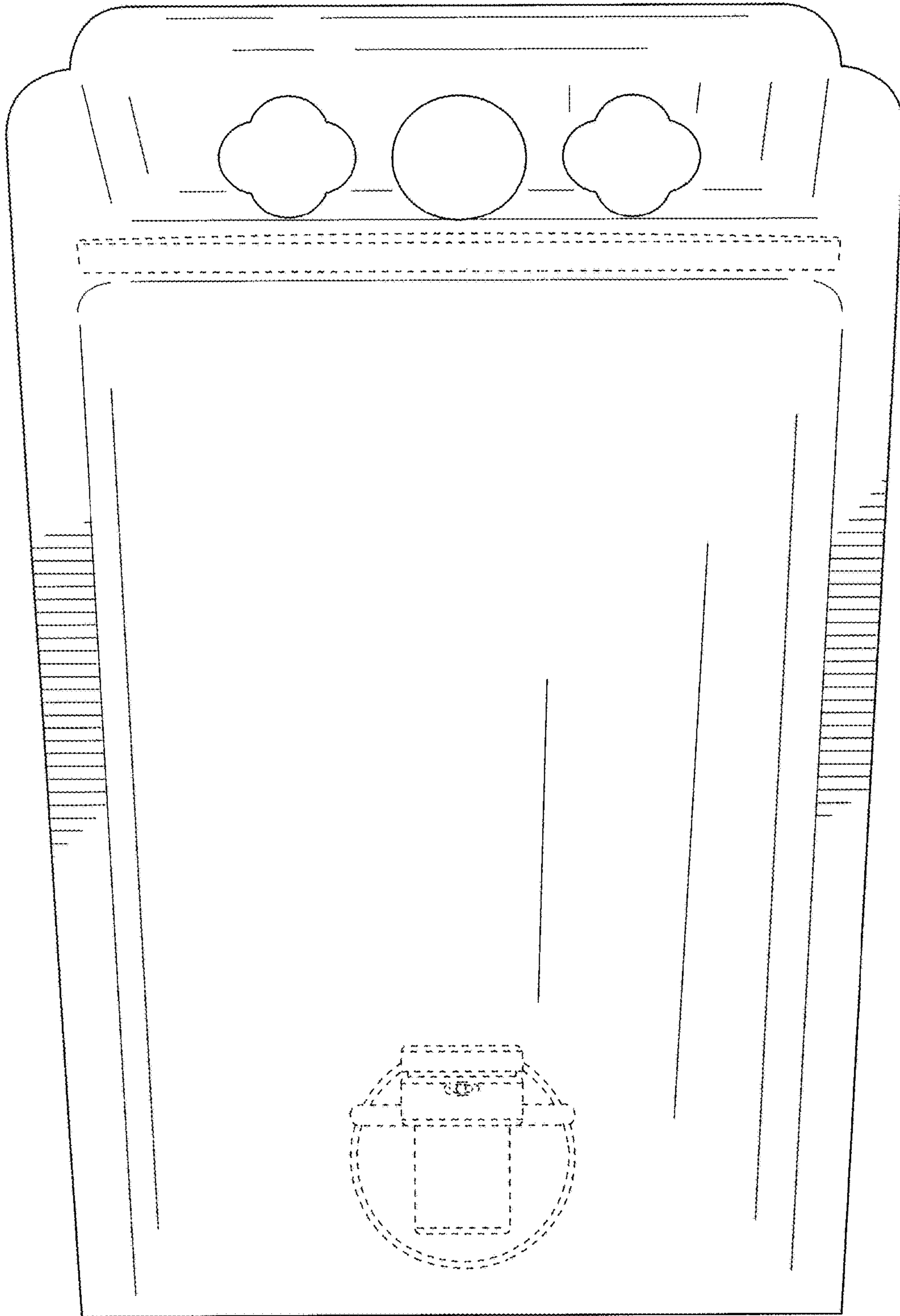


FIG. 2

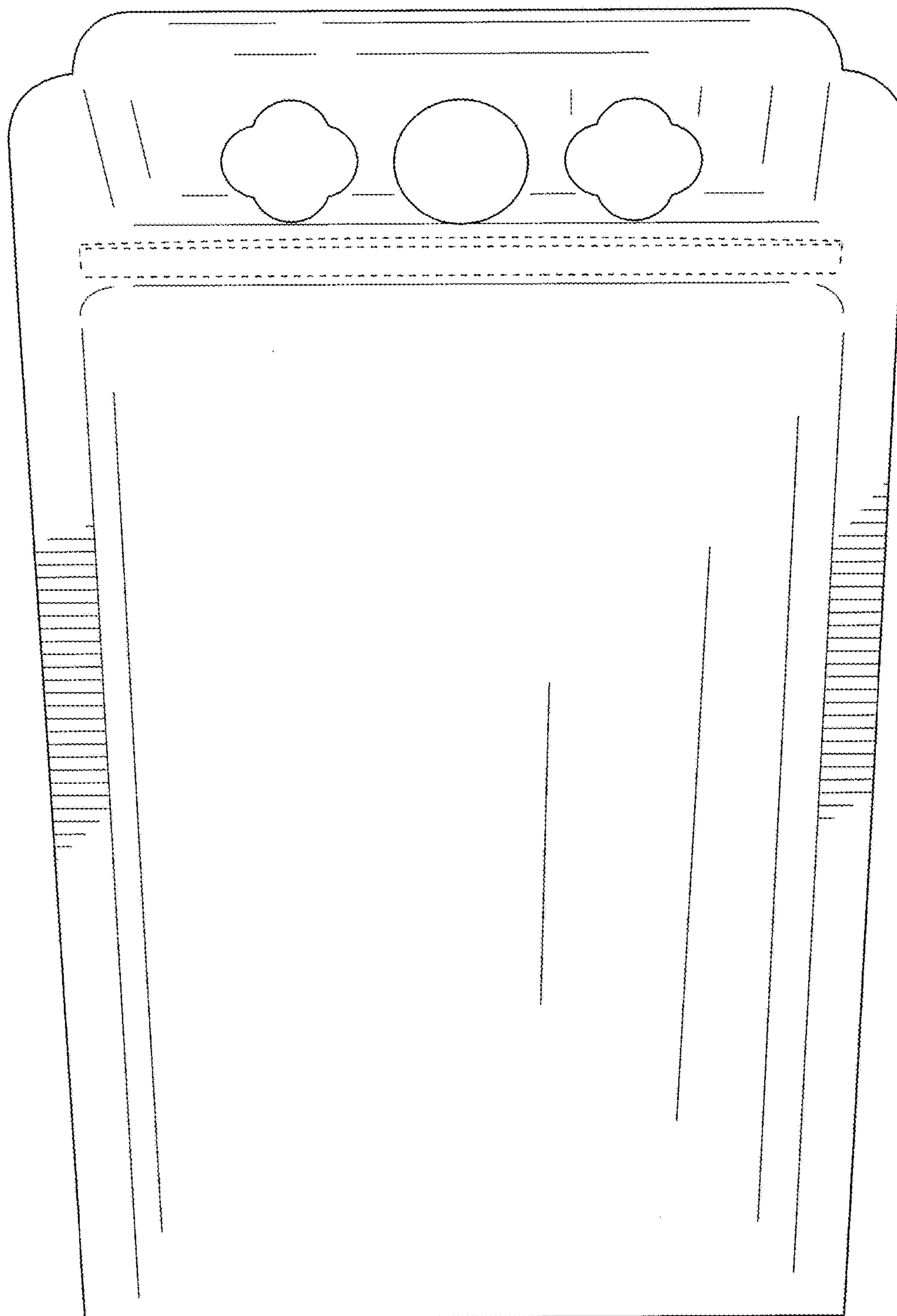


FIG. 3

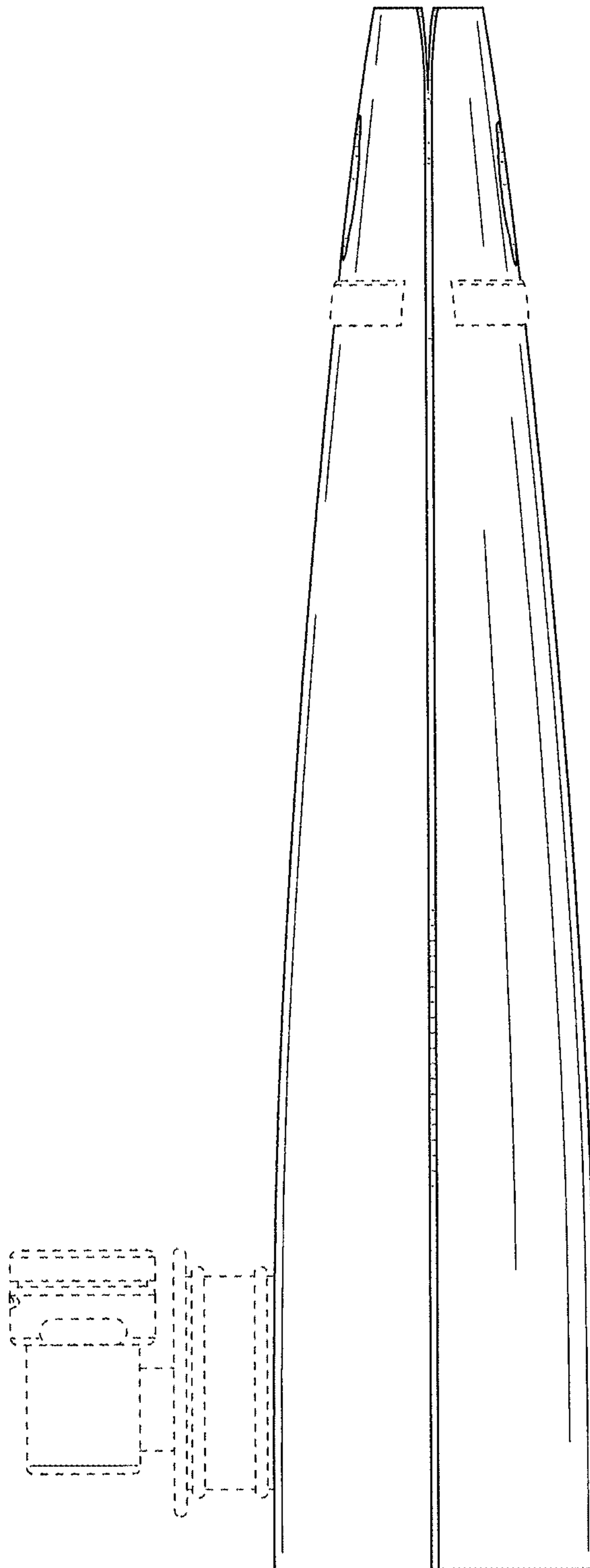


FIG. 4

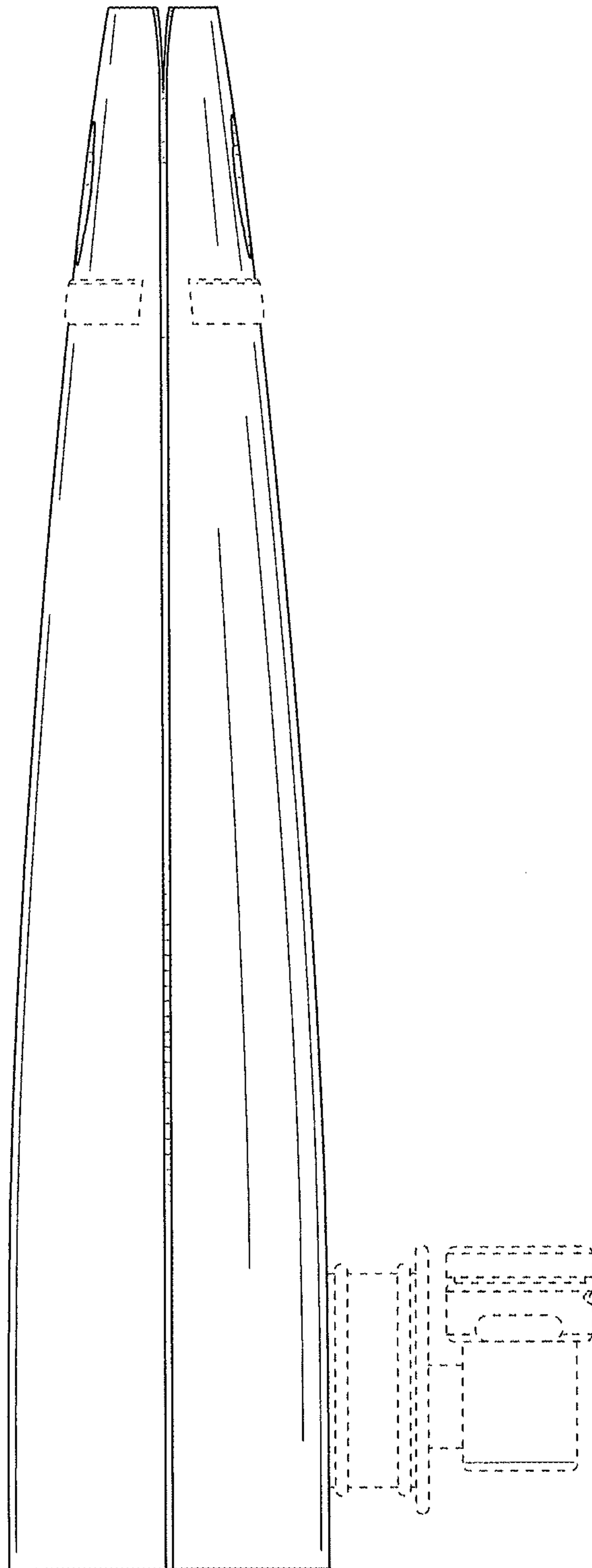


FIG. 5

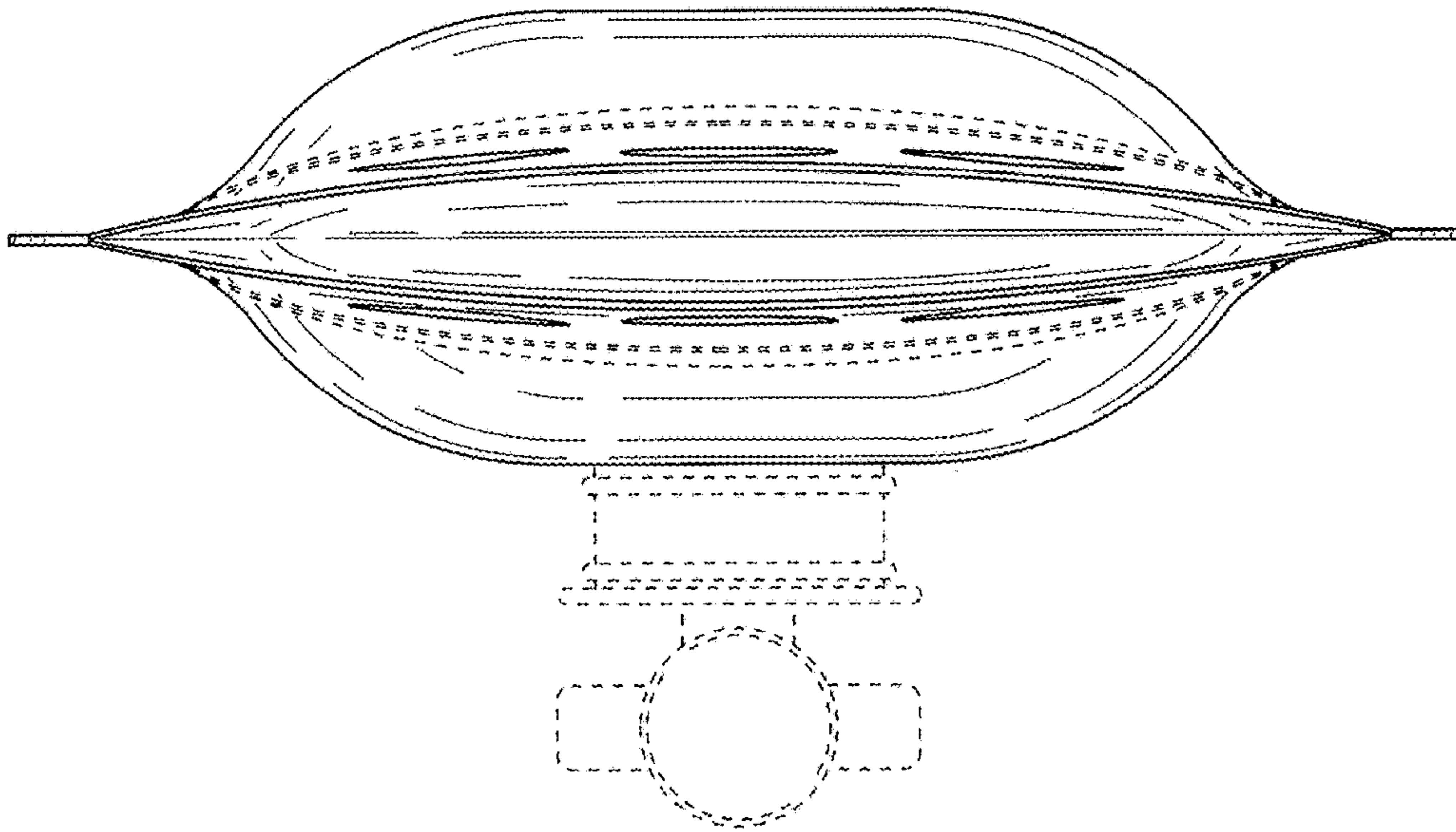


FIG. 6

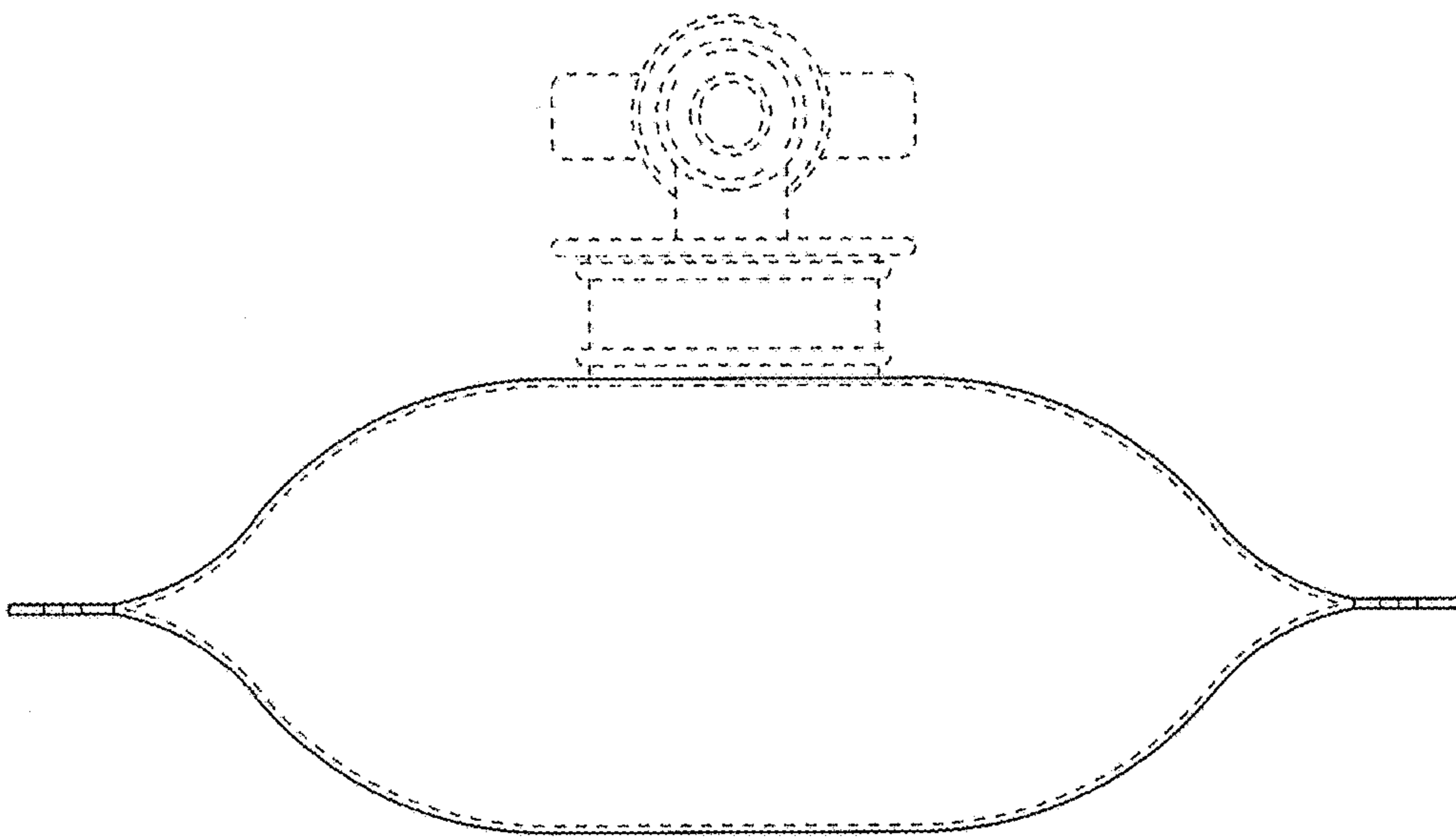


FIG. 7