



US00D854937S

(12) **United States Design Patent** (10) **Patent No.:** **US D854,937 S**  
**Li** (45) **Date of Patent:** **\*\* Jul. 30, 2019**

(54) **BOTTLE**

(71) Applicant: **IMMANUEL INDUSTRIAL CO., LTD.**, Tainan (TW)

(72) Inventor: **Kun-Yi Li**, Tainan (TW)

(73) Assignee: **Immanuel Industrial Co., Ltd.**, Tainan (TW)

(\*\*) Term: **15 Years**

(21) Appl. No.: **29/636,794**

(22) Filed: **Feb. 12, 2018**

(51) **LOC (11) Cl.** ..... **09-01**

(52) **U.S. Cl.**

USPC ..... **D9/573**; D9/563; D9/566

(58) **Field of Classification Search**

USPC ..... D9/600-681, 682-694, 715, 719, D9/723-729, 738-747, 763, 765, 783, D9/506-508, 516, 517, 520, 523-529, D9/530-537, 544-546, 547, 559-575, D9/414, 418, 432, 434-436; D6/542  
CPC ..... B65D 1/0223; B65D 1/0261; B65D 1/04; B65D 1/40; B65D 2501/0081; B65D 11/10; B65D 23/102; B65D 23/12; B65D 2501/24535; B65D 83/14-759; B05B 11/00-3098; A45D 34/00; A45D 34/02; A45D 34/04; A45D 34/06; A45D 2034/002; A45D 2034/005; A45D 2034/007; A45D 2200/055; A45D 2200/056; A45D 2200/057; A45D 2200/109; A47K 5/12-1212

See application file for complete search history.

(56) **References Cited**

**U.S. PATENT DOCUMENTS**

D54,026 S \* 11/1919 Bruns ..... D9/765  
2,029,743 A \* 2/1936 Spender ..... B05B 11/0059  
222/205

D112,275 S \* 11/1938 Blunt ..... D9/652  
D217,659 S \* 5/1970 Dinand ..... D9/563  
3,732,999 A \* 5/1973 Rounkles ..... B65D 1/04  
215/6  
D244,579 S \* 6/1977 Dinand ..... D9/563  
D255,420 S \* 6/1980 Rosen ..... D9/567  
D260,733 S \* 9/1981 Meyer ..... D9/516  
5,464,133 A \* 11/1995 Drummond ..... B65D 1/06  
215/232  
5,472,124 A \* 12/1995 Martushev ..... B65D 1/06  
222/529  
D454,499 S \* 3/2002 Berkauer ..... D9/535  
D478,009 S \* 8/2003 Kleckauskas ..... D9/531

(Continued)

**FOREIGN PATENT DOCUMENTS**

CN 302370239 \* 3/2013  
CN 302915144 \* 8/2014

(Continued)

*Primary Examiner* — Catherine A Tuttle

(74) *Attorney, Agent, or Firm* — Rosenberg, Klein & Lee

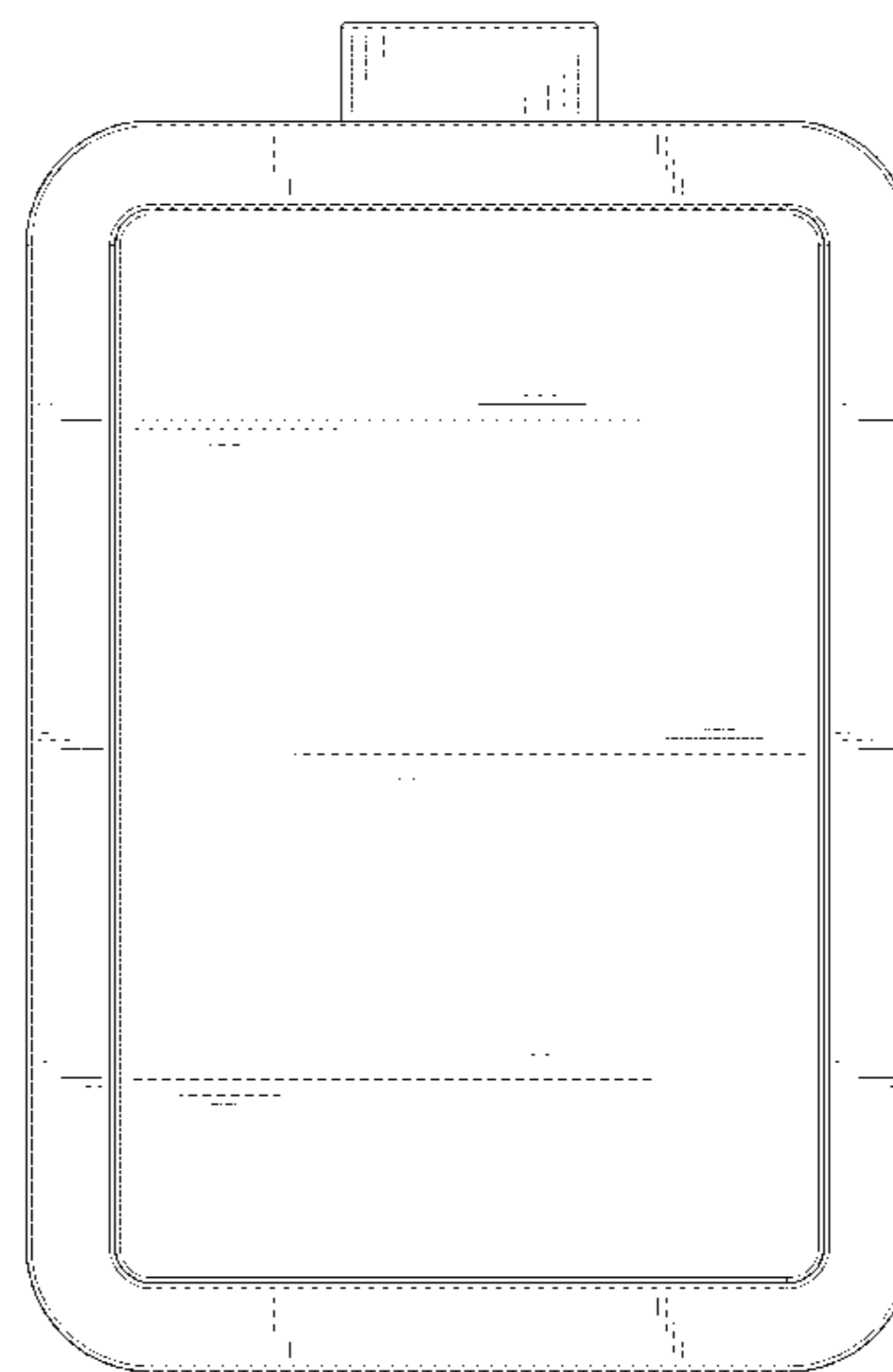
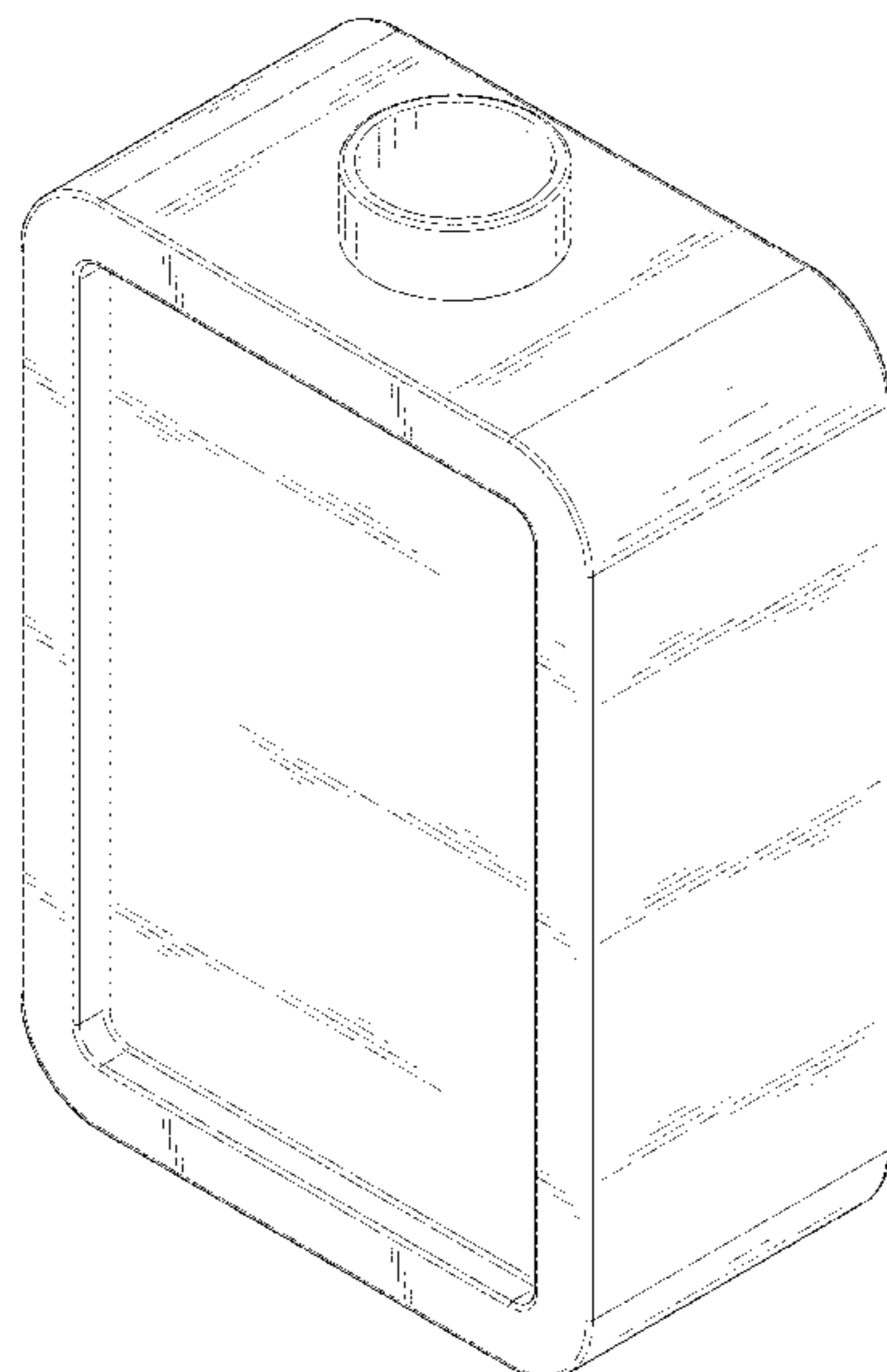
(57) **CLAIM**

The ornamental design for a bottle, as shown and described.

**DESCRIPTION**

FIG. 1 is a perspective view of my new design for a bottle;  
FIG. 2 is a front view thereof;  
FIG. 3 is a rear view thereof;  
FIG. 4 is a left view thereof;  
FIG. 5 is a right view thereof;  
FIG. 6 is a top plan view thereof;  
FIG. 7 is a bottom plan view thereof; and,  
FIG. 8 is a front view showing the bottle in association with broken lines illustrative of its intended use.  
The broken lines shown in FIG. 8 are for illustrative purposes only and form no part of the claimed design.

**1 Claim, 7 Drawing Sheets**



(56)

**References Cited**

U.S. PATENT DOCUMENTS

6,688,935 B1 \* 2/2004 Lin ..... A63H 33/28  
206/216  
D573,479 S \* 7/2008 Varlet ..... D9/544  
D586,227 S \* 2/2009 Caten ..... D9/572  
D605,524 S \* 12/2009 Manocheo ..... D9/573  
D611,351 S \* 3/2010 Mansau ..... D9/529  
D611,821 S \* 3/2010 Gabrielsson ..... D9/517  
D630,521 S \* 1/2011 Levy ..... D9/435  
D631,751 S \* 2/2011 Fox ..... D9/520  
D665,262 S \* 8/2012 Regas ..... D9/516  
D741,723 S \* 10/2015 Staab ..... D9/687  
D753,500 S \* 4/2016 Chertoff ..... D9/546  
D832,713 S \* 11/2018 Mann ..... D9/560  
2011/0108507 A1 \* 5/2011 Sullivan ..... A45D 34/04  
215/40  
2013/0334076 A1 \* 12/2013 Tepret ..... A45D 34/00  
206/216

FOREIGN PATENT DOCUMENTS

GB 4005961 \* 7/2008  
JP D1560525 \* 10/2016

\* cited by examiner

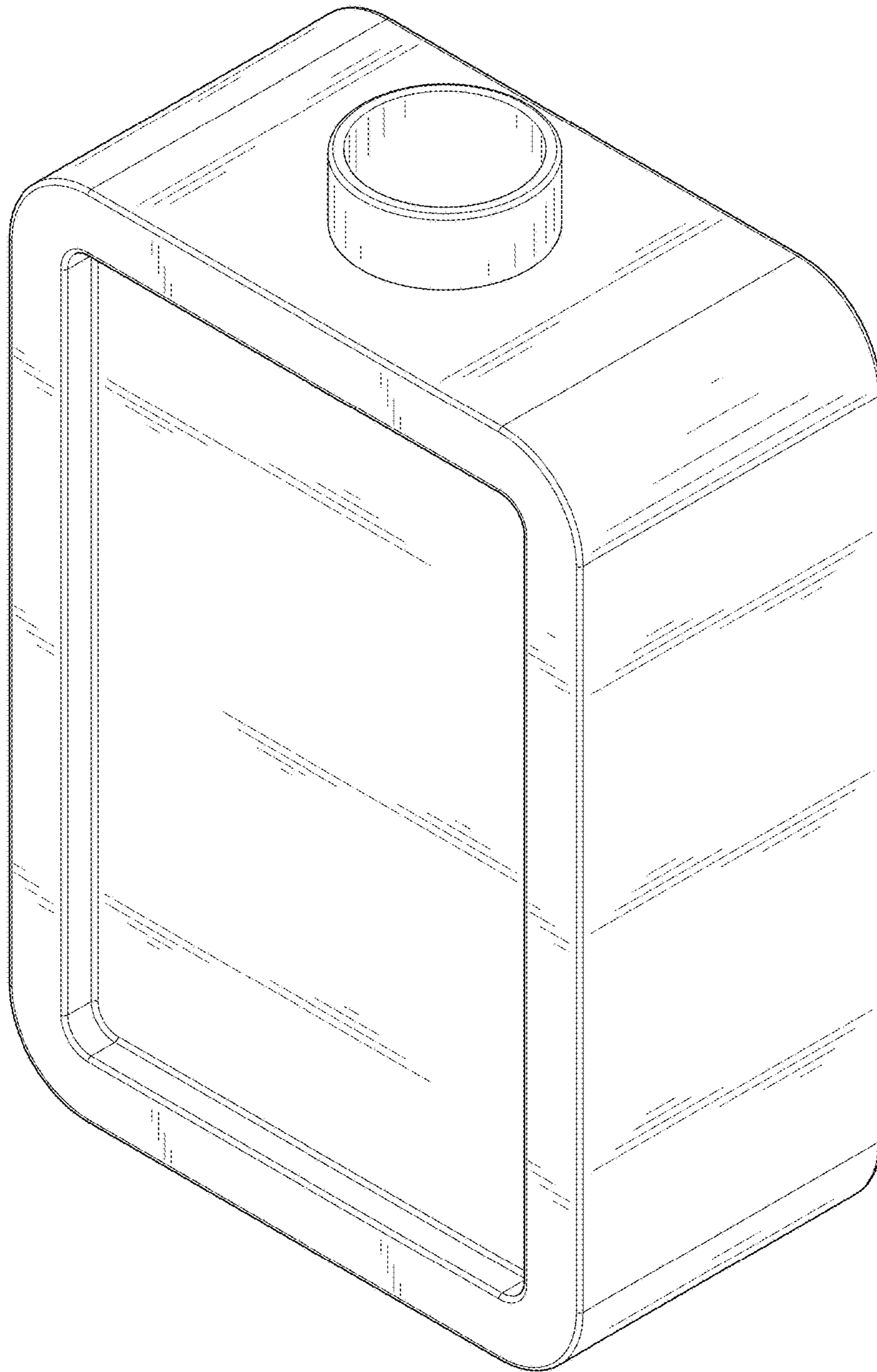


FIG. 1

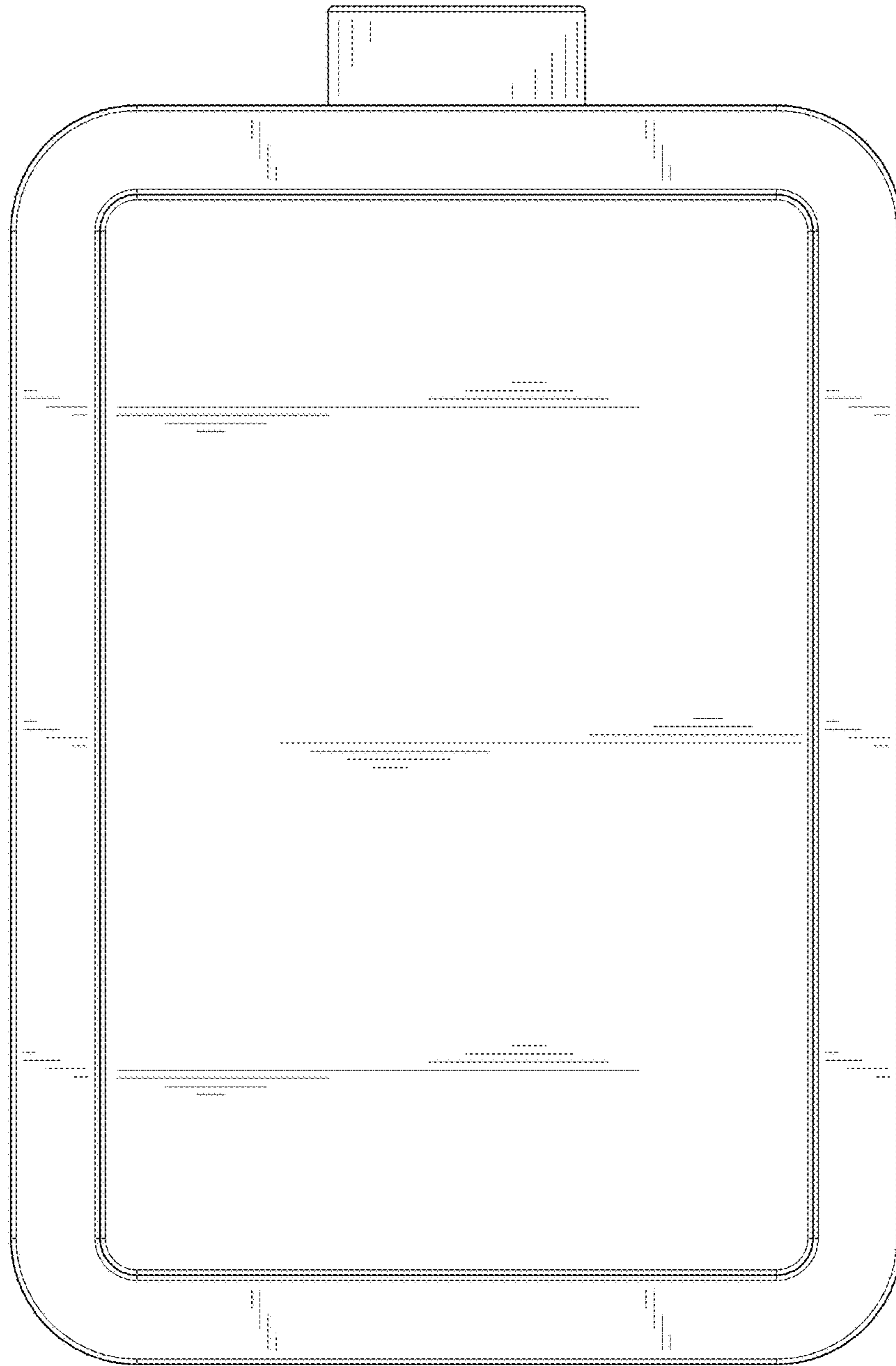


FIG. 2

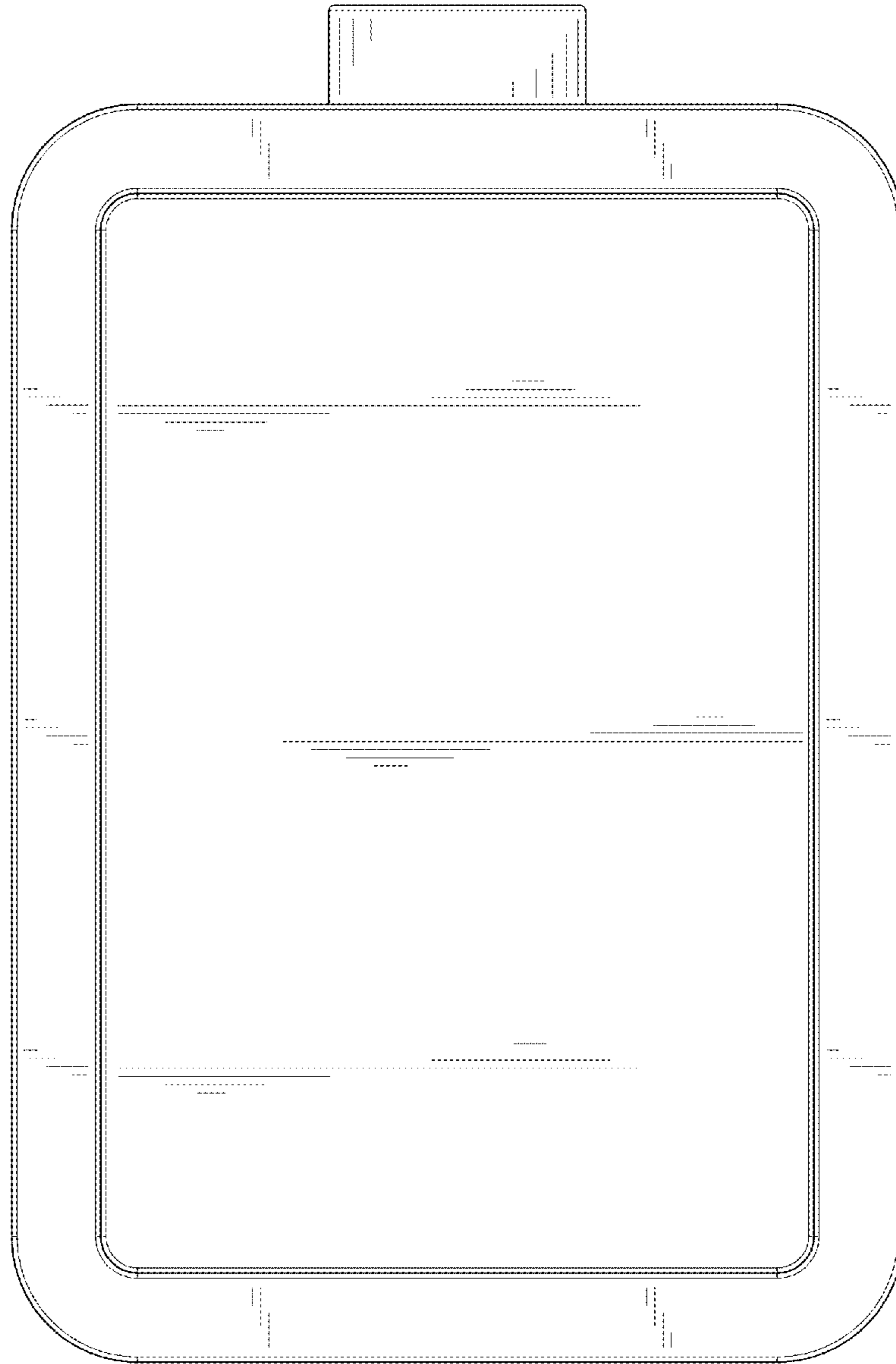


FIG. 3

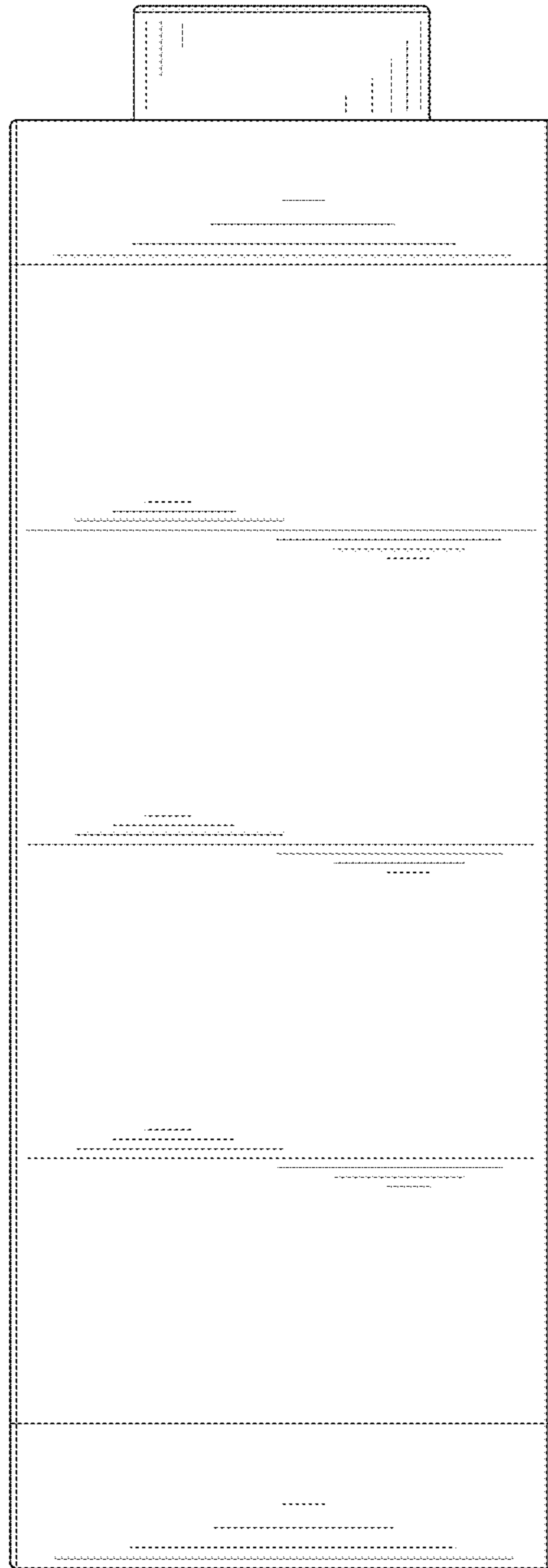


FIG. 4

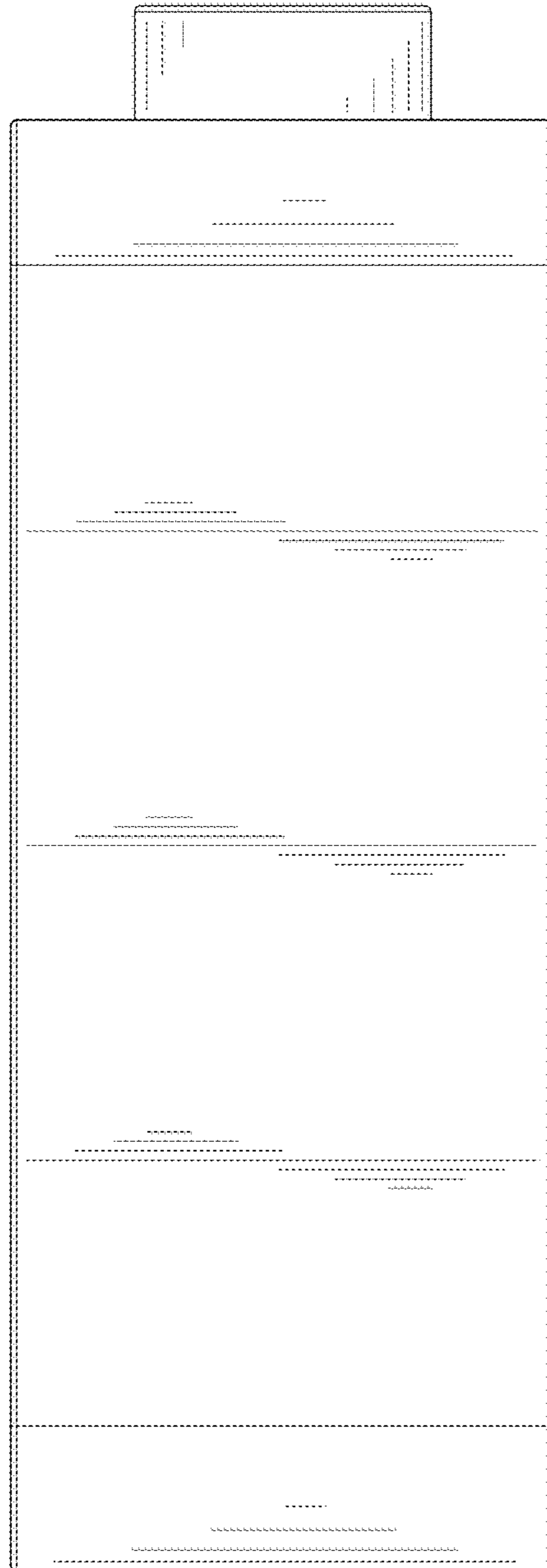


FIG. 5

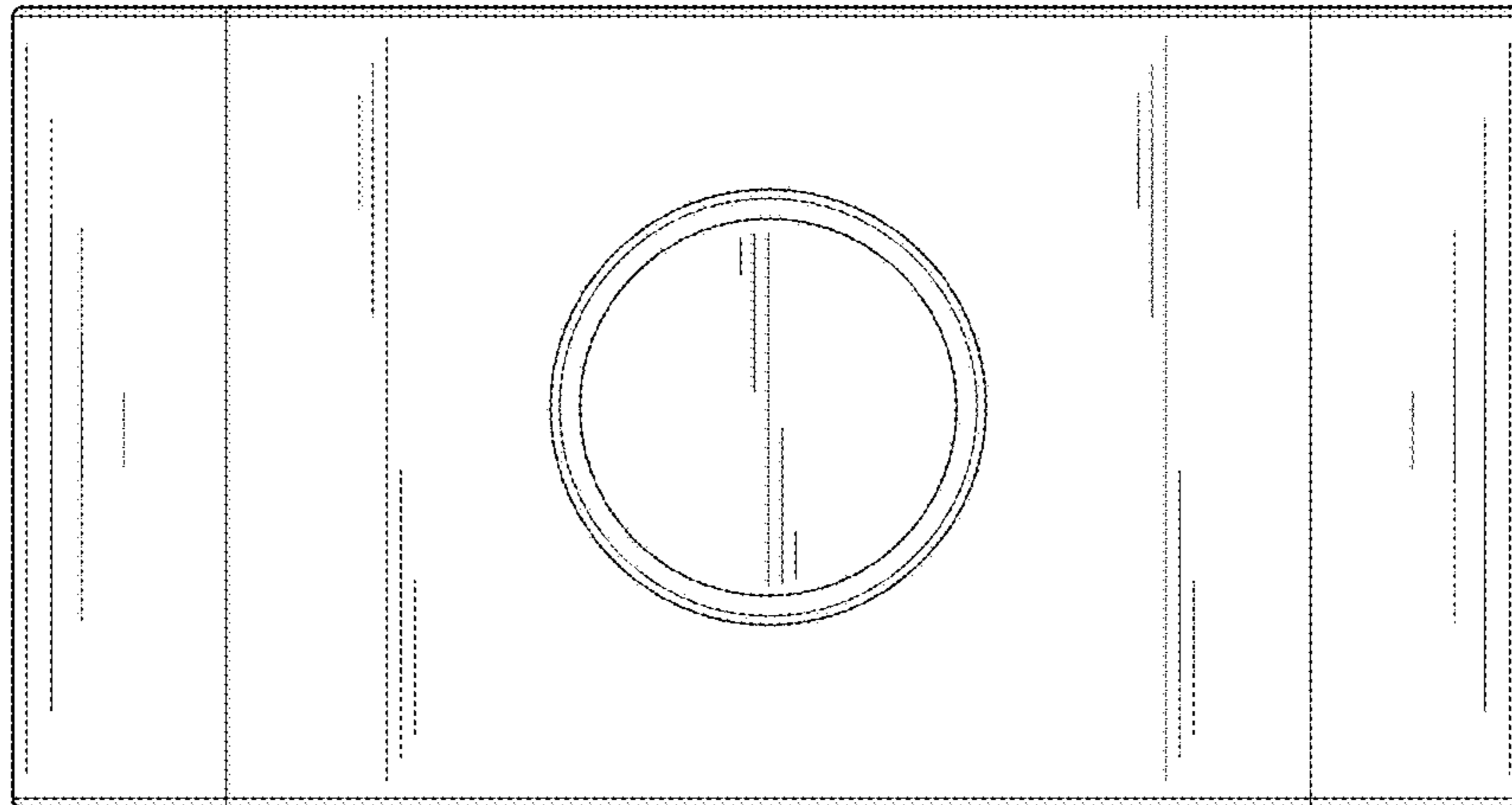


FIG. 6

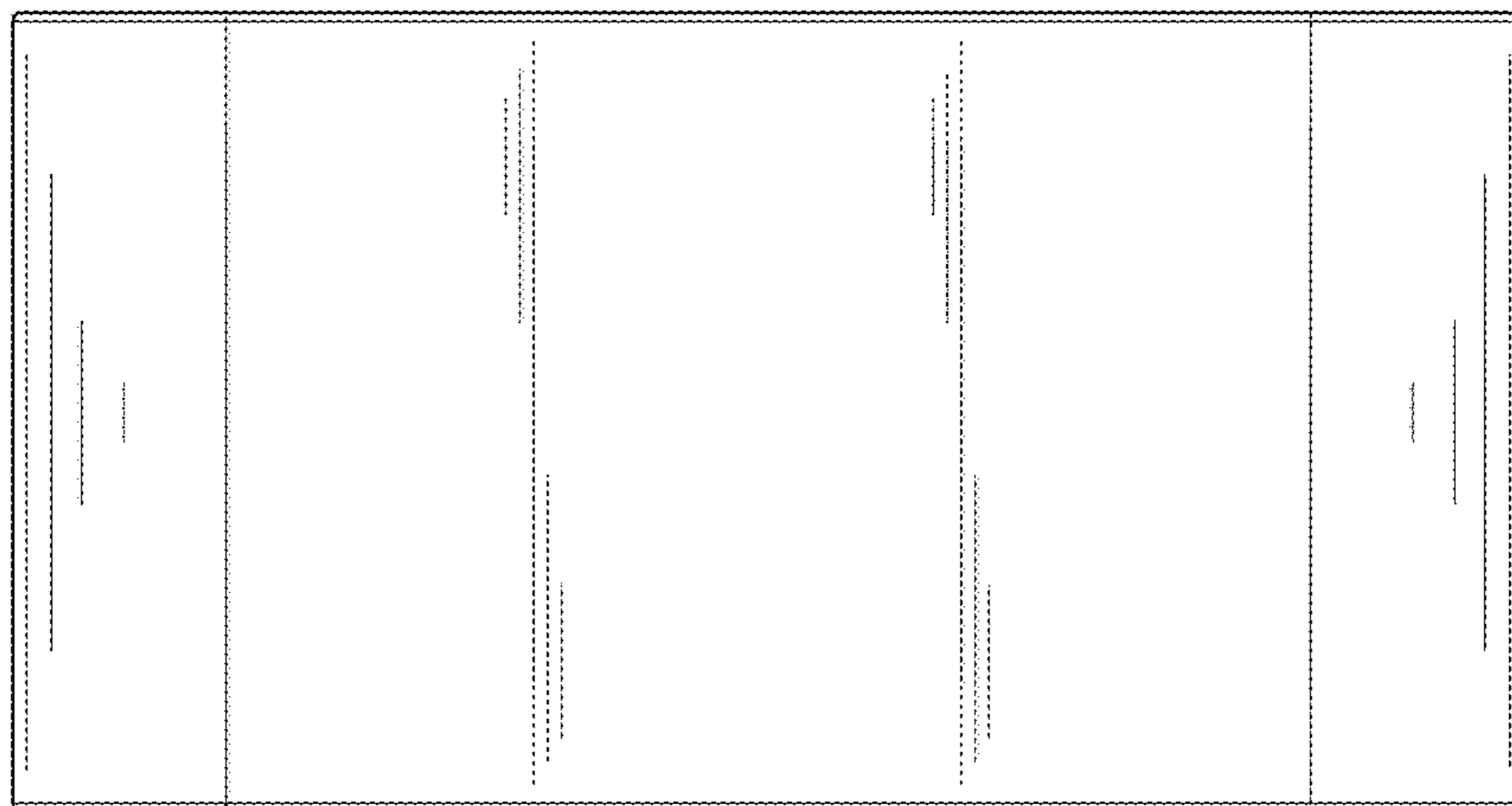


FIG. 7



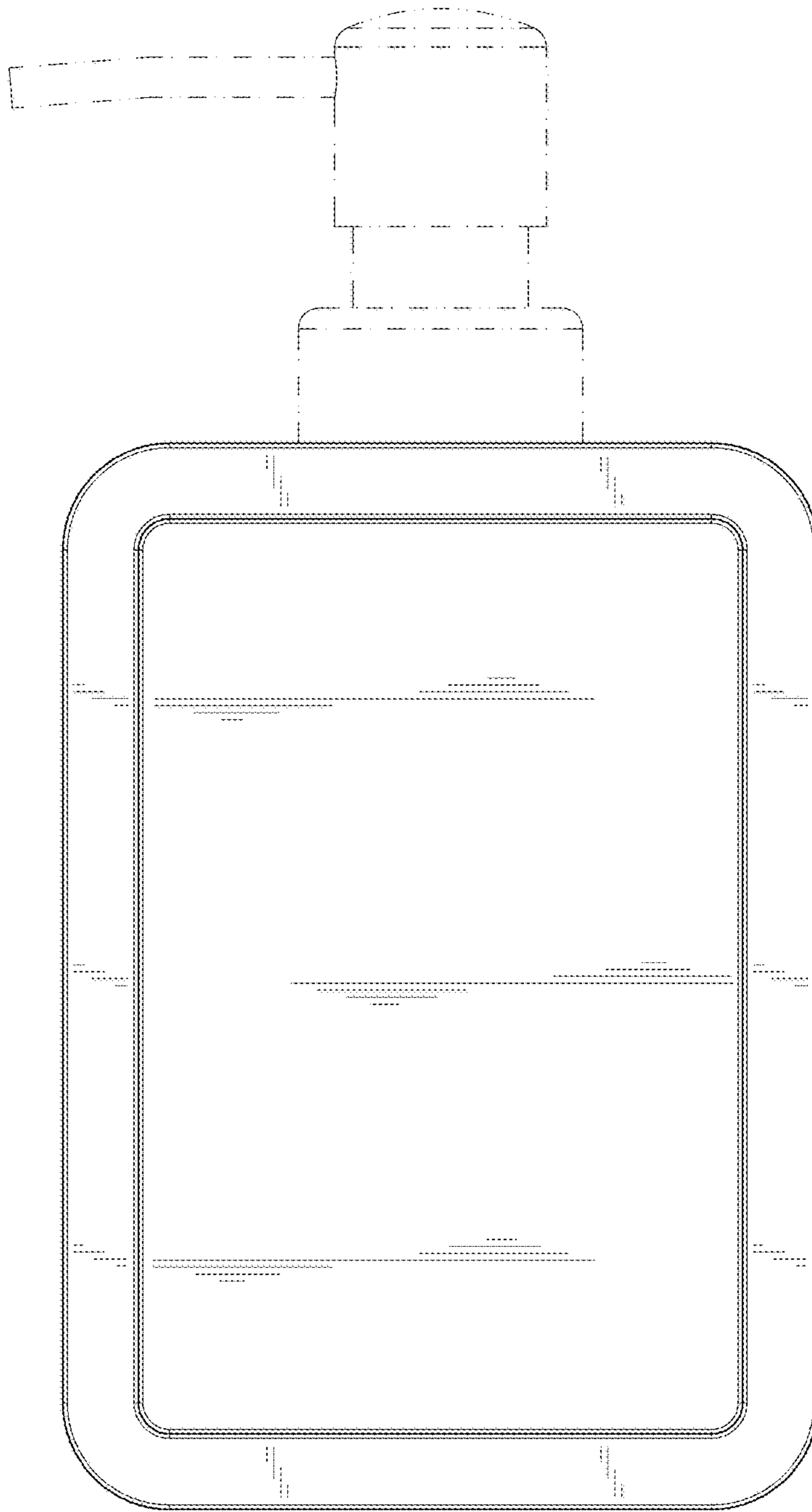


FIG. 8