



US00D854934S

(12) **United States Design Patent**
Falls et al.

(10) **Patent No.:** **US D854,934 S**
(45) **Date of Patent:** **** Jul. 30, 2019**

- (54) **BOTTLE DOME**
- (71) Applicant: **OCEAN SPRAY CRANBERRIES, INC.**, Lakeville-Middleboro, MA (US)
- (72) Inventors: **Eric Falls**, Duxbury, MA (US);
Toshimasa Tanaka, Tokyo (JP);
Shigeru Tomiyama, Tokyo (JP)
- (73) Assignee: **OCEAN SPRAY CRANBERRIES, INC.**, Lakeville-Middleboro, MA (US)
- (**) Term: **15 Years**
- (21) Appl. No.: **29/630,308**
- (22) Filed: **Dec. 20, 2017**
- (51) **LOC (11) Cl.** **09-01**
- (52) **U.S. Cl.**
USPC **D9/531**
- (58) **Field of Classification Search**
USPC D7/300–322, 391–396.2, 509–511, 523,
D7/589, 598, 612, 615, 619.1; D9/435,
D9/436, 439, 440, 443, 447, 454, 500,
D9/503–505, 516–575, 763–783;
215/40–55, 316–354, 370–385;
220/574–575; D4/116; D6/515–519,
D6/542–545; D28/7, 57, 73, 76–91.1
CPC B65D 1/00; B65D 1/02; B65D 1/0223;
B65D 1/023; B65D 1/0276
See application file for complete search history.

- D428,338 S * 7/2000 Iizuka D9/434
 - D439,844 S * 4/2001 Takahashi D9/531
 - 6,270,488 B1 * 8/2001 Johnson A61M 1/0001
604/403
 - D459,234 S * 6/2002 Bourque D9/543
 - D478,288 S * 8/2003 Frazer D9/527
 - D481,318 S * 10/2003 Iizuka D9/531
 - D501,407 S * 2/2005 Feen D9/528
- (Continued)

FOREIGN PATENT DOCUMENTS

JP 2012076778 A * 4/2012

OTHER PUBLICATIONS

“Ocean Spray 100% Juice, Cranberry, 3 Liter Bottle.” amazon.com. Reviewed Nov. 17, 2016. Accessed Nov. 23, 2018. Available online at URL: <<https://www.amazon.com/Ocean-Spray-Juice-Cranberry-Bottle/dp/B01KJNRRZ8>> (Year: 2016).*

(Continued)

Primary Examiner — Cathron C Brooks
Assistant Examiner — Christian P. McLean
(74) *Attorney, Agent, or Firm* — Nixon & Vanderhye P.C.

(57) **CLAIM**

The ornamental design for a bottle dome, as shown and described.

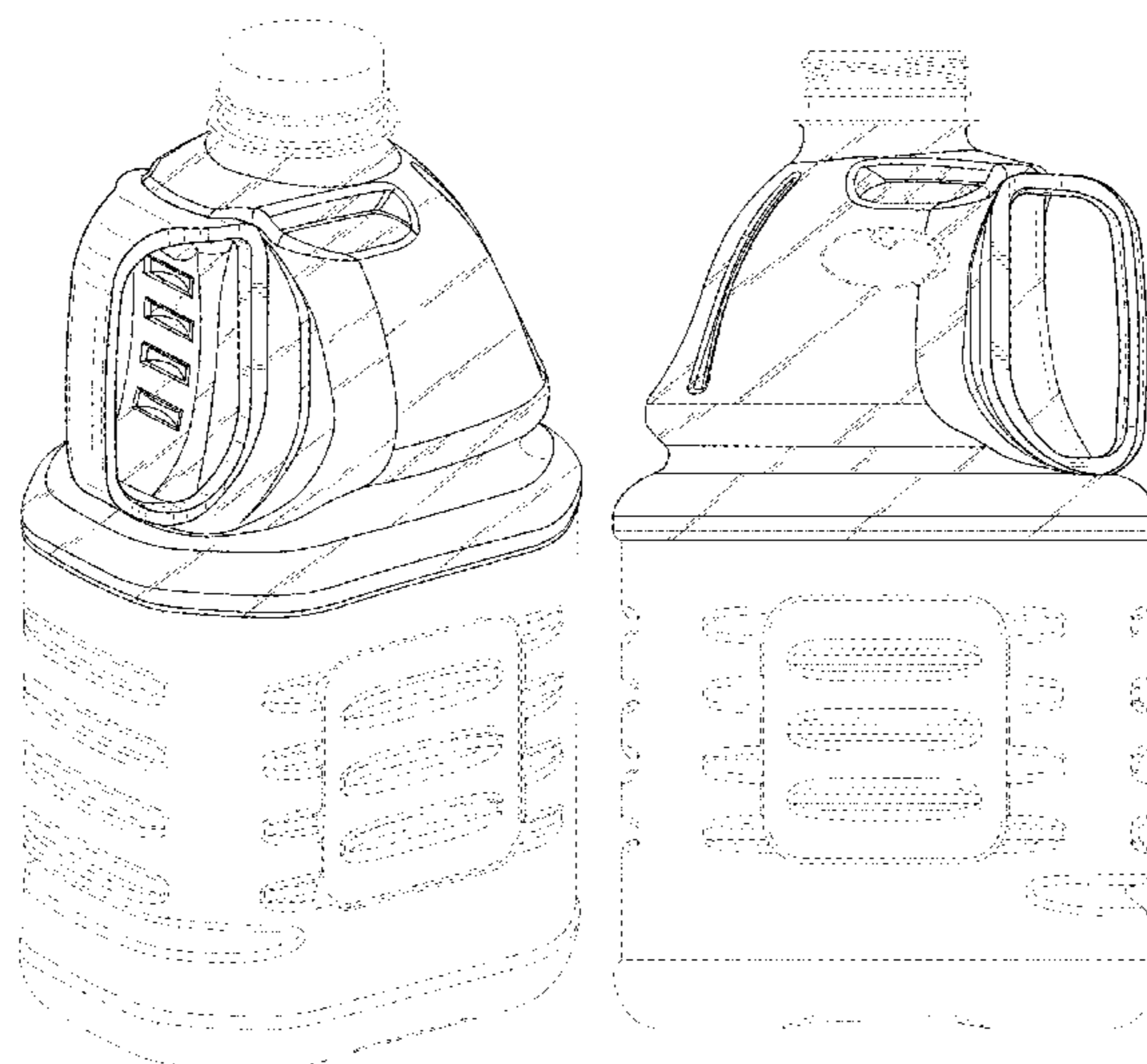
DESCRIPTION

FIG. 1 is a rear perspective view of a bottle dome showing our new design;
FIG. 2 is a left side view thereof;
FIG. 3 is a right side view thereof;
FIG. 4 is a rear view thereof;
FIG. 5 is a front view thereof; and,
FIG. 6 is a top view thereof.
The broken lines illustrate portions of the bottle dome that form no part of the claimed design.

1 Claim, 6 Drawing Sheets

(56) **References Cited**
U.S. PATENT DOCUMENTS

- D402,895 S * 12/1998 Takahashi D9/520
- D404,308 S * 1/1999 Takahashi D9/520
- D405,691 S * 2/1999 Takahashi D9/434
- D407,650 S * 4/1999 Takahashi D9/520
- D414,116 S * 9/1999 Bourque D9/434
- D418,422 S * 1/2000 Bourque D9/434
- D423,350 S * 4/2000 Takahashi D9/434
- D425,418 S * 5/2000 Takahashi D9/434



(56)

References Cited

U.S. PATENT DOCUMENTS

D525,528	S *	7/2006	Lane	D9/516
D527,649	S *	9/2006	Sasaki	D9/531
D539,156	S *	3/2007	Fraser	D9/531
D539,159	S *	3/2007	Slat	D9/541
D539,659	S *	4/2007	Cleary	D9/542
D564,890	S *	3/2008	Coley, Jr.	D9/541
D593,417	S *	6/2009	Miller	D9/541
7,644,829	B2 *	1/2010	Little	B65D 23/102 215/384
D612,253	S *	3/2010	Shimamoto	D9/543
D612,734	S *	3/2010	Sarsfield-Thomas	D9/516
D623,953	S *	9/2010	Darr	D9/516
D653,550	S *	2/2012	Hunter	D9/542
D662,421	S *	6/2012	Dorn	D9/531
D666,496	S *	9/2012	Coley, Jr.	D9/516
D727,736	S *	4/2015	Napoli	D9/516
D732,963	S *	6/2015	Hawry	D9/528
2007/0045222	A1 *	3/2007	Denner	B65D 1/42 215/382
2007/0095785	A1 *	5/2007	Ishikawa	B65D 23/106 215/398
2010/0326951	A1 *	12/2010	Coley, Jr.	B65D 1/0223 215/384
2014/0263162	A1 *	9/2014	Napoli	B65D 23/102 215/384
2018/0297748	A1 *	10/2018	Tanaka	B65D 23/10

OTHER PUBLICATIONS

“Ocean Spray Cranberry Cocktail—1 gallon jug.” amazon.com. Reviewed May 18, 2011. Accessed Nov. 23, 2018. Available online at URL: <<https://www.amazon.com/Ocean-Spray-Cranberry-Cocktail-gallon/dp/B003M4U1V4>> (Year: 2011).*

* cited by examiner

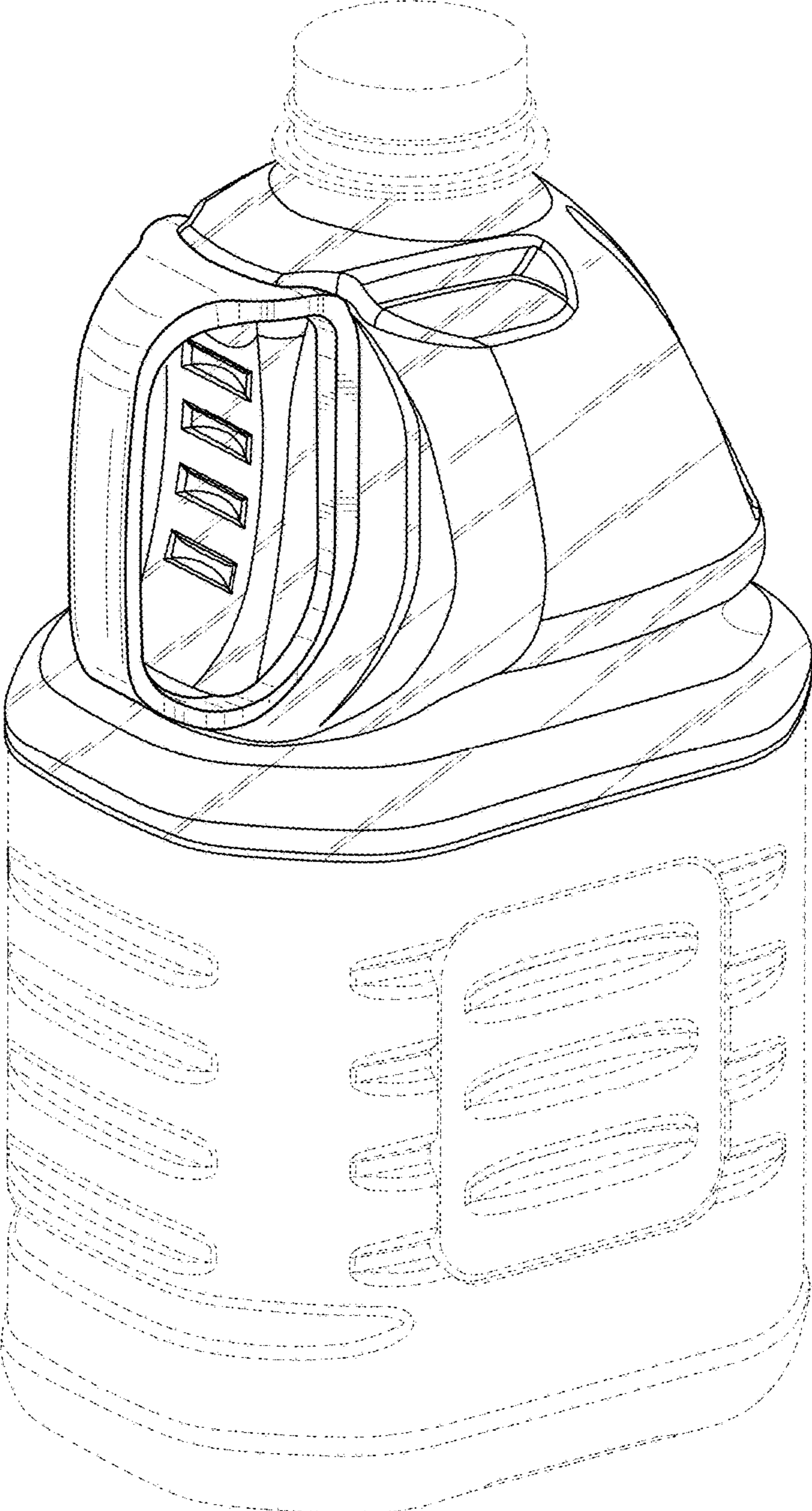


FIG. 1

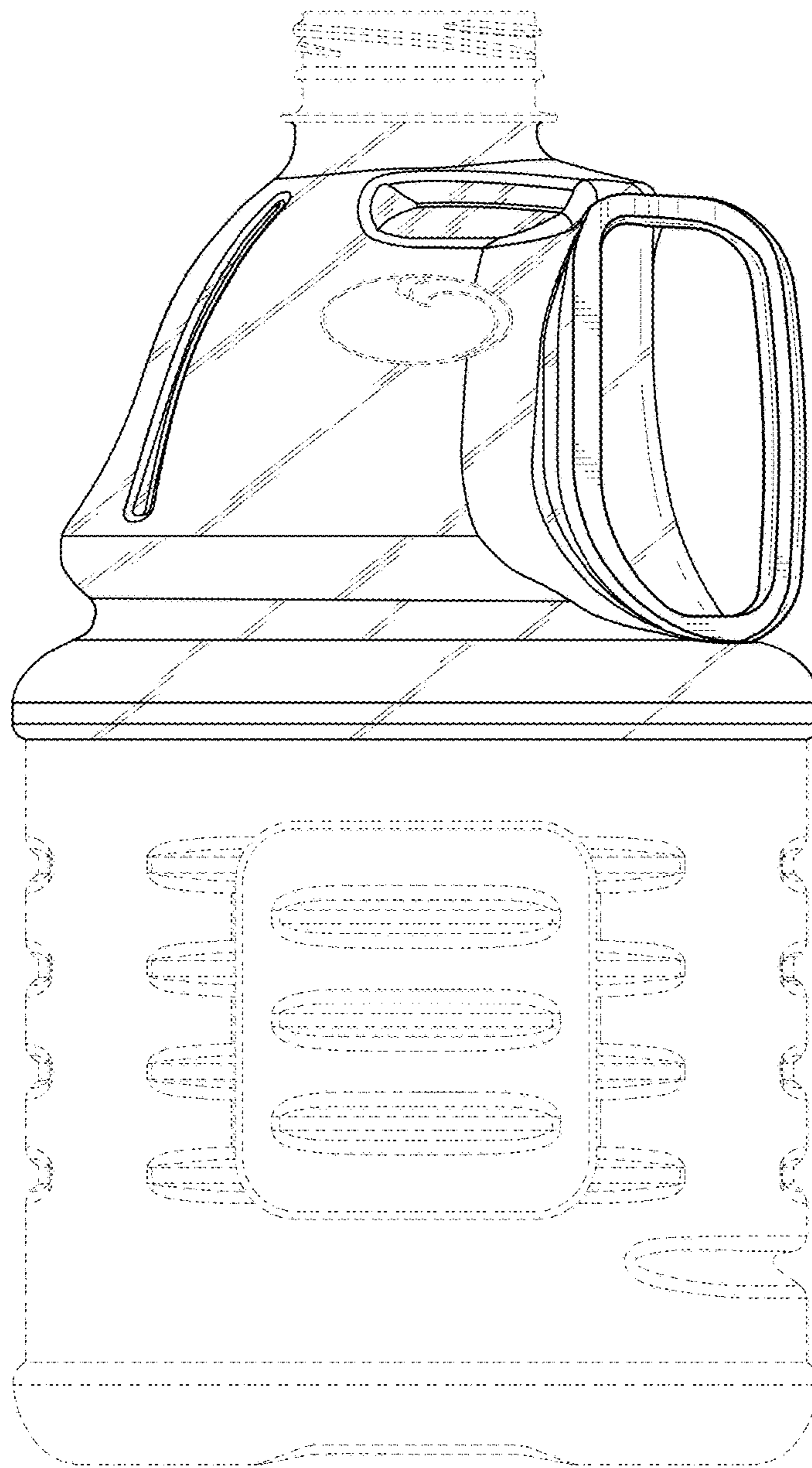


FIG. 2

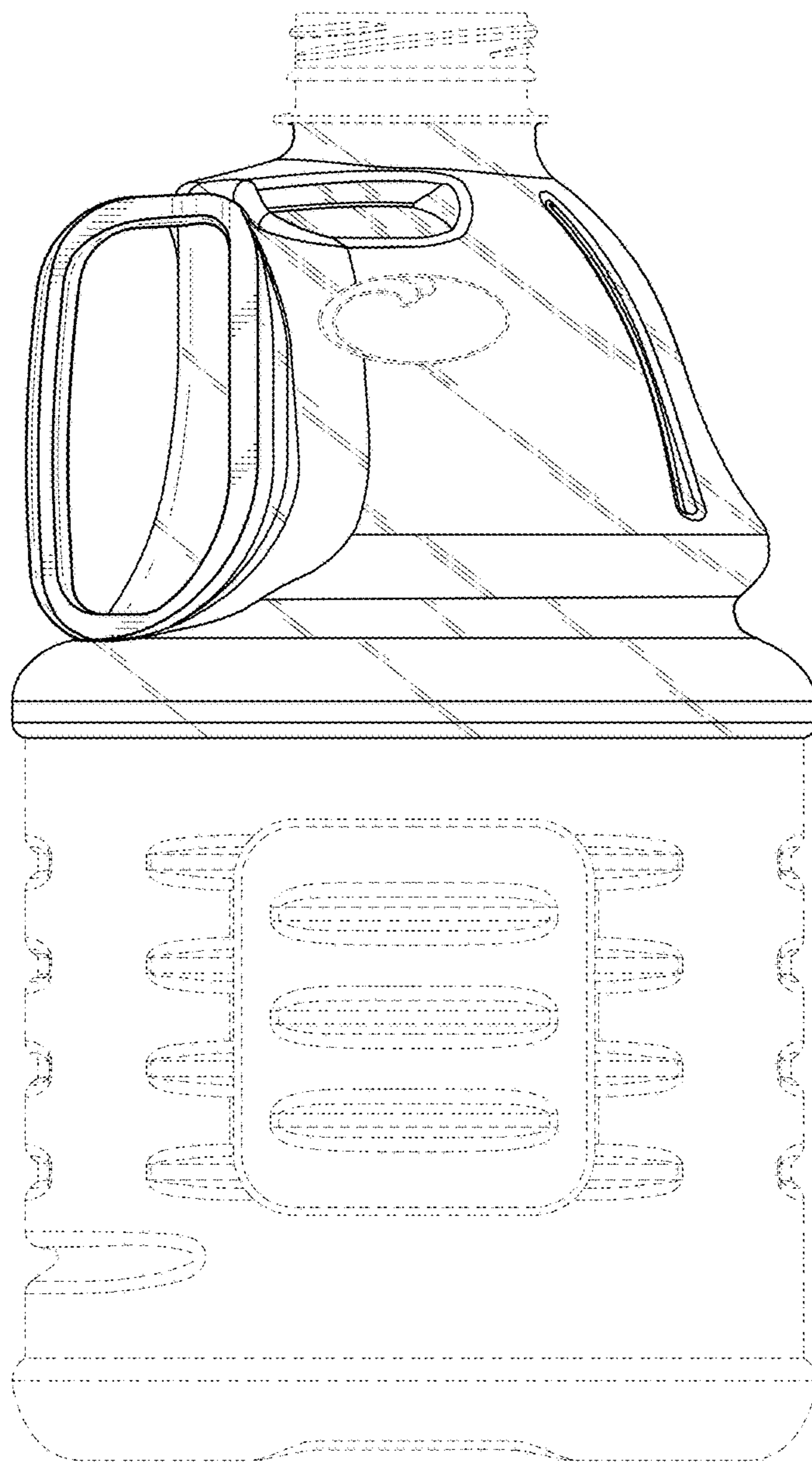


FIG. 3

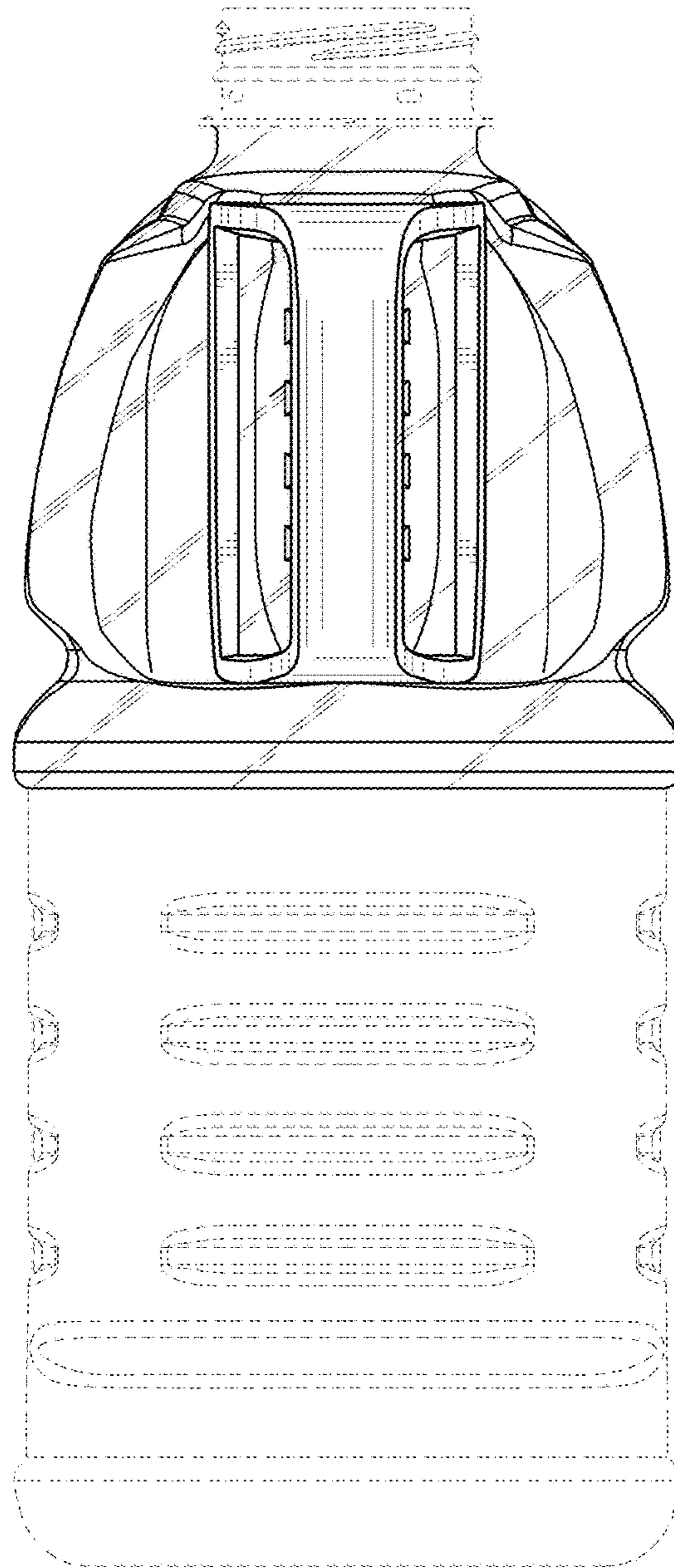


FIG. 4

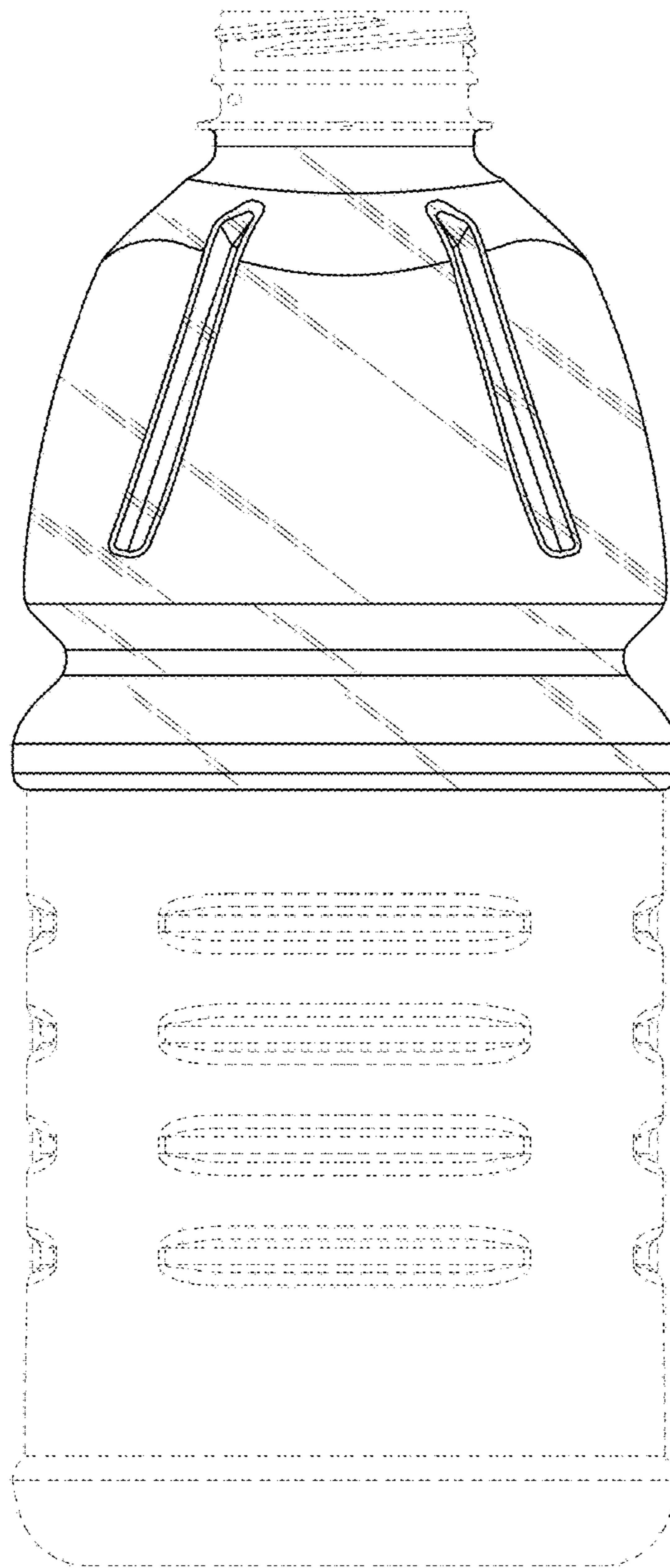


FIG. 5

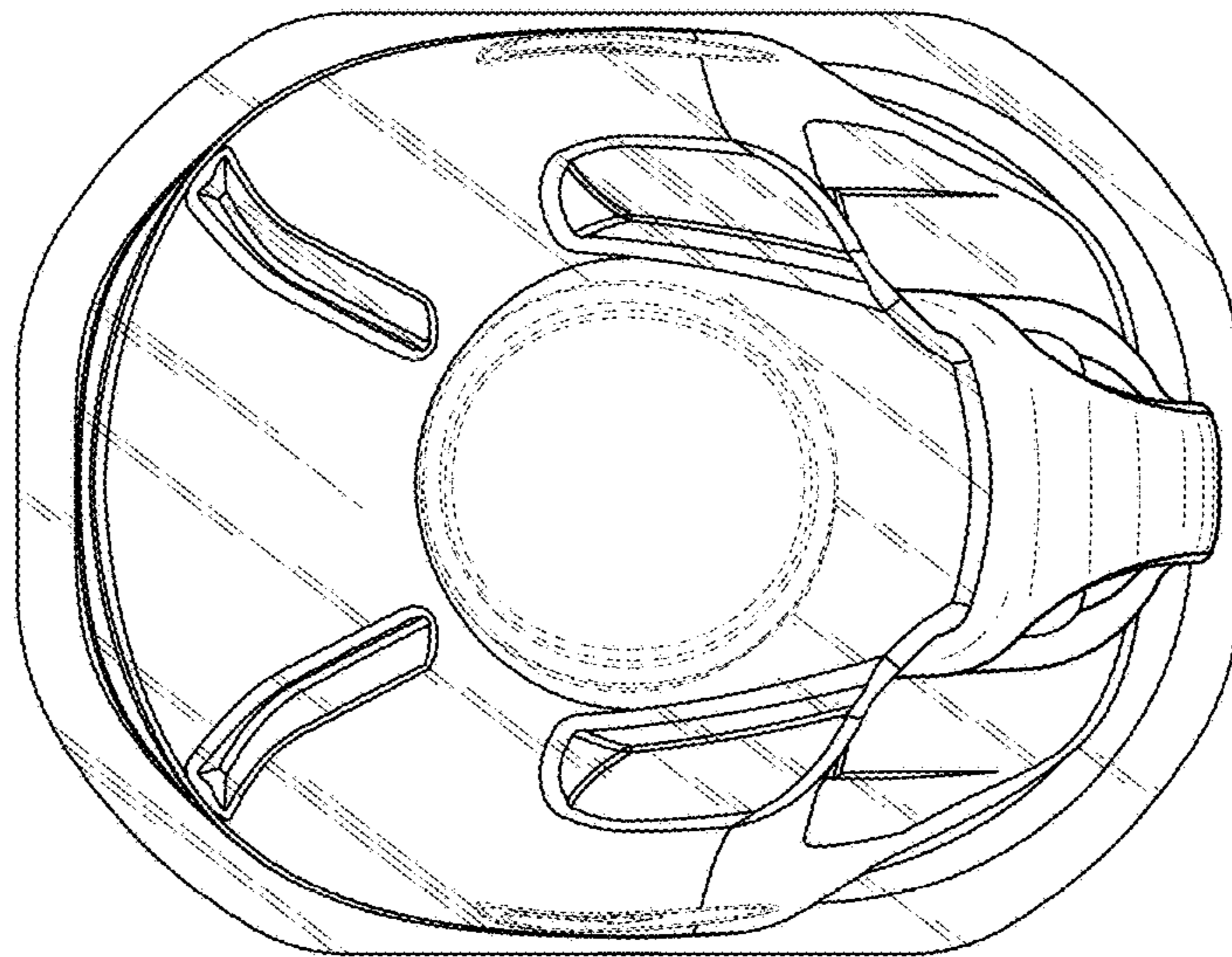


FIG. 6