



US00D854931S

(12) **United States Design Patent**
Brown et al.

(10) **Patent No.:** **US D854,931 S**

(45) **Date of Patent:** **** Jul. 30, 2019**

(54) **PLASTIC CONTAINER**

(71) Applicant: **Plastipak Packaging, Inc.**, Plymouth, MI (US)

(72) Inventors: **Victoria Brown**, North Kingstown, RI (US); **Kyle Fleischhacker**, Dearborn, MI (US); **Gary Ferguson**, Tallmadge, OH (US)

(73) Assignee: **Plastipak Packaging, Inc.**, Plymouth, MI (US)

(**) Term: **15 Years**

(21) Appl. No.: **29/623,438**

(22) Filed: **Oct. 25, 2017**

(51) **LOC (11) Cl.** **09-01**

(52) **U.S. Cl.**

USPC **D9/523**; D9/543; D9/563; D9/571

(58) **Field of Classification Search**

USPC D9/516, 523, 526–528, 530, 543, 563, D9/569, 571, 575, 682, 685, 715, 719; D23/211.1

CPC B65D 1/00; B65D 1/02; B65D 1/0223; B65D 2501/00; B65D 2501/0009; B65D 2501/0081

See application file for complete search history.

(56) **References Cited**

U.S. PATENT DOCUMENTS

D213,766 S *	4/1969	Weckman	D9/523
D265,887 S *	8/1982	Weckman	D9/523
D307,553 S *	5/1990	Matthews	D9/547
D315,671 S *	3/1991	Zaragoza	D9/523
D319,972 S *	9/1991	Segati	D9/523
D329,018 S *	9/1992	Granger	D9/523
D410,847 S *	6/1999	Bodker	D9/526
D419,884 S *	2/2000	Zimmer	D9/523

D484,805 S *	1/2004	Colangelo	D9/523
D486,067 S *	2/2004	Colangelo	D9/523
D558,049 S *	12/2007	Eaton	D9/522
D576,884 S *	9/2008	Feen	D9/523
D651,089 S *	12/2011	Lee	D9/523
D674,285 S *	1/2013	Thijssen	D9/543
D691,053 S *	10/2013	Garcia	D9/543
D752,986 S *	4/2016	Bos	D9/541
D782,909 S *	4/2017	Jost	D9/520
D828,167 S *	9/2018	Tsukada	D9/523

* cited by examiner

Primary Examiner — Dana Meyrow

(74) *Attorney, Agent, or Firm* — Fishman Stewart PLLC

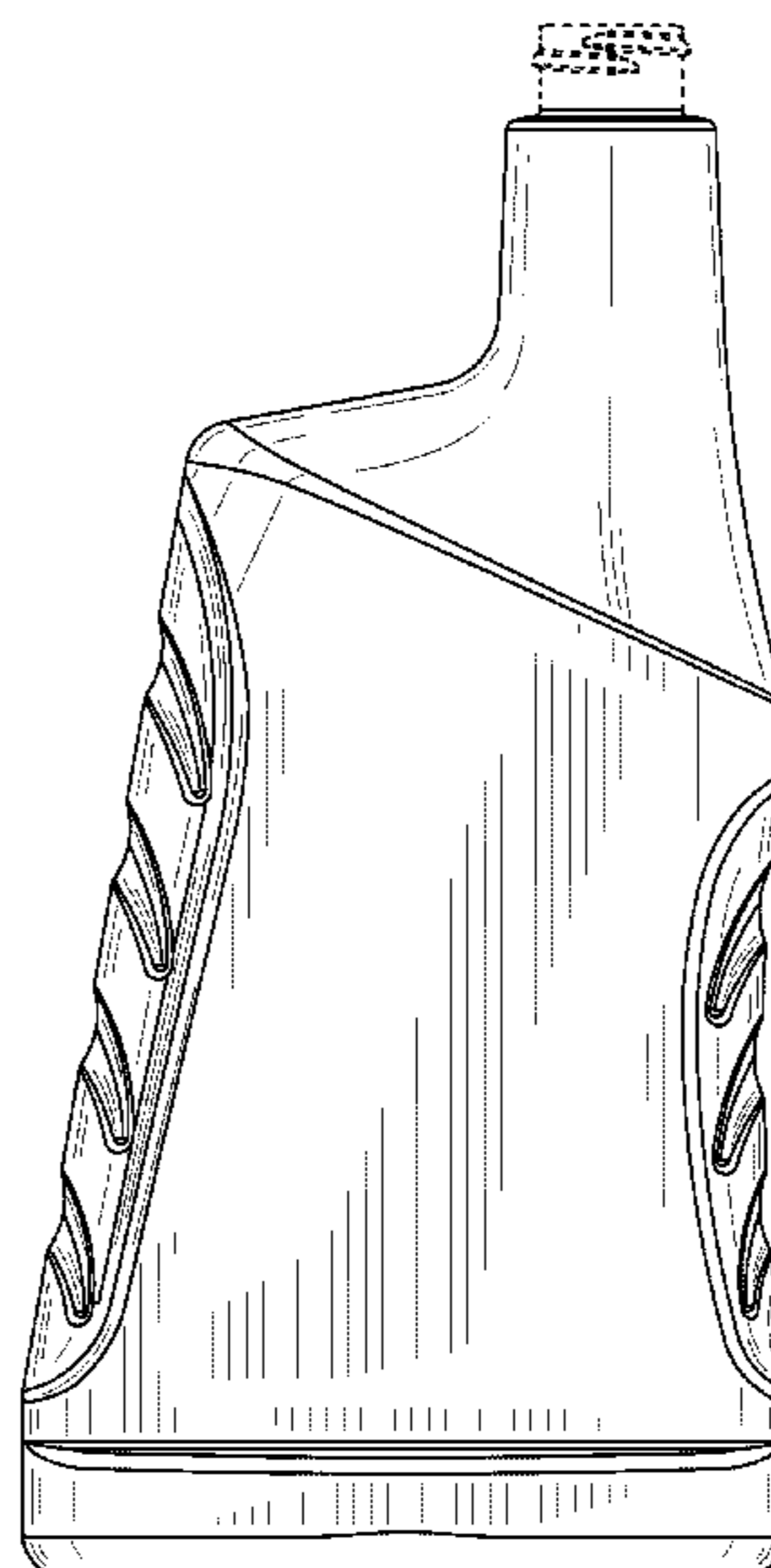
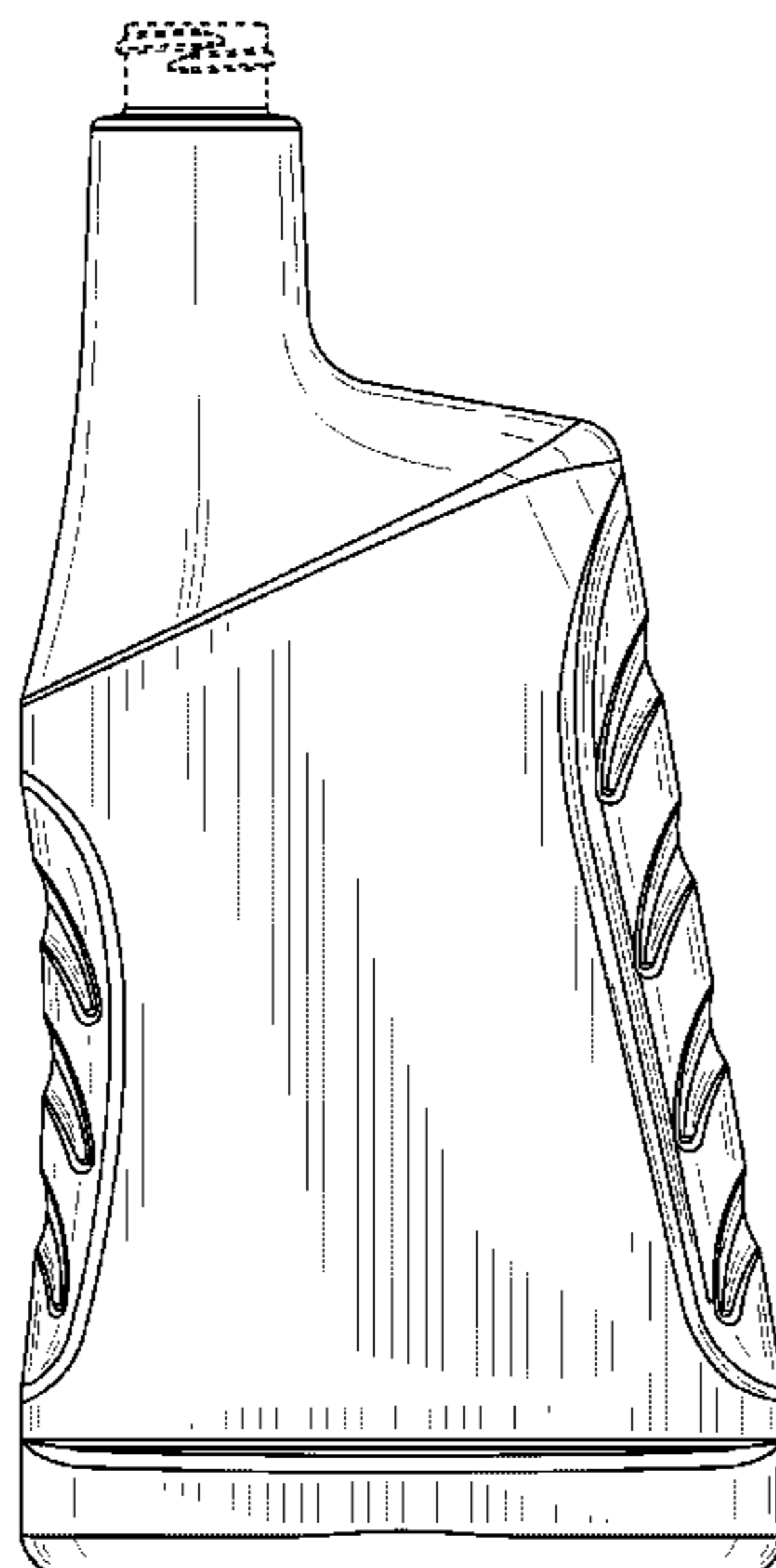
(57) **CLAIM**

The ornamental design for a plastic container, as shown and described.

DESCRIPTION

FIG. 1 is a top-rear-left perspective view of a plastic container showing a first embodiment of the claimed design; FIG. 2 is a left side elevational view of FIG. 1; FIG. 3 is a right side elevational view of FIG. 1; FIG. 4 is a rear elevational view of FIG. 1; FIG. 5 is a front elevational view of FIG. 1; FIG. 6 is a top plan view of FIG. 1; FIG. 7 is a bottom plan view of FIG. 1; FIG. 8 is a top-rear-left perspective view of a plastic container showing a second embodiment of the claimed design; FIG. 9 is a left side elevational view of FIG. 8; FIG. 10 is a right side elevational view of FIG. 8; FIG. 11 is a rear elevational view of FIG. 8; FIG. 12 is a front elevational view of FIG. 8; FIG. 13 is a top plan view of FIG. 8; and, FIG. 14 is a bottom plan view of FIG. 8. The broken lines shown in the drawings illustrate portions of the plastic container that form no part of the claimed design.

1 Claim, 12 Drawing Sheets



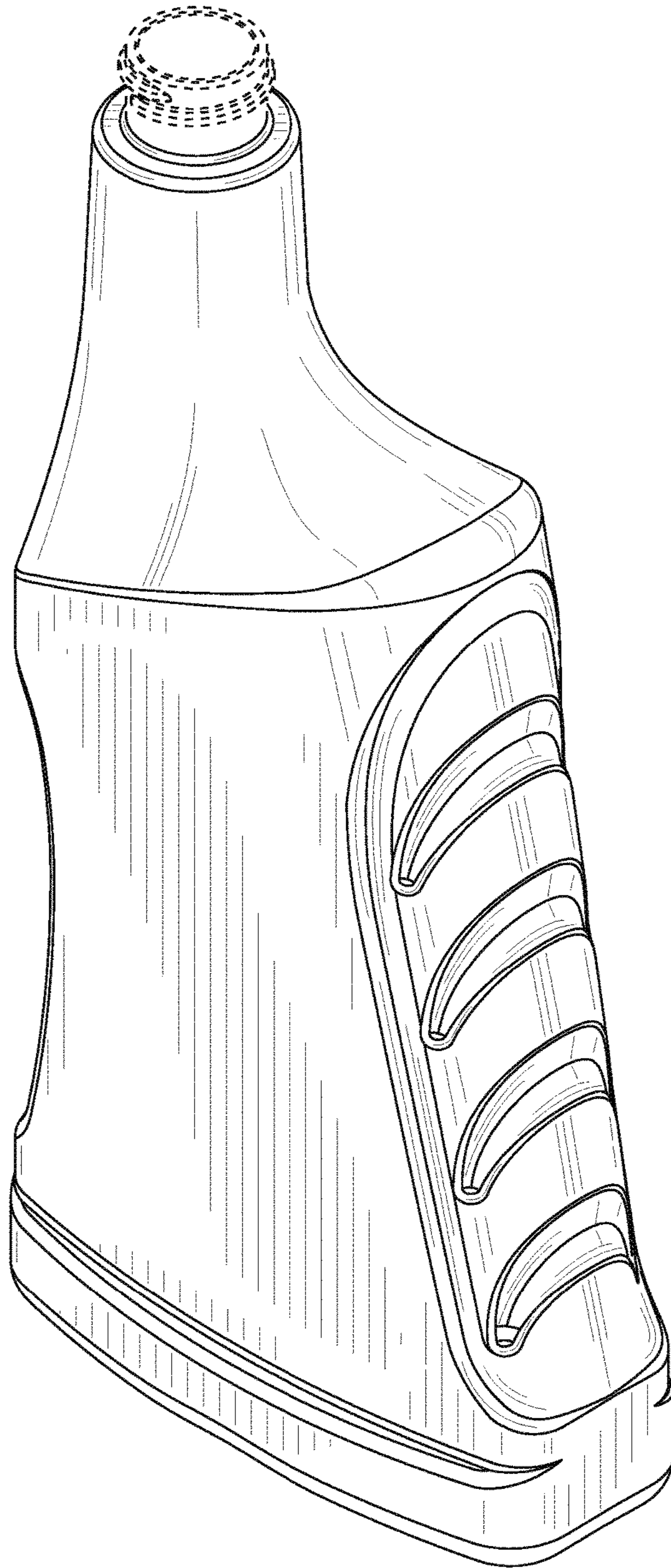


FIG. 1

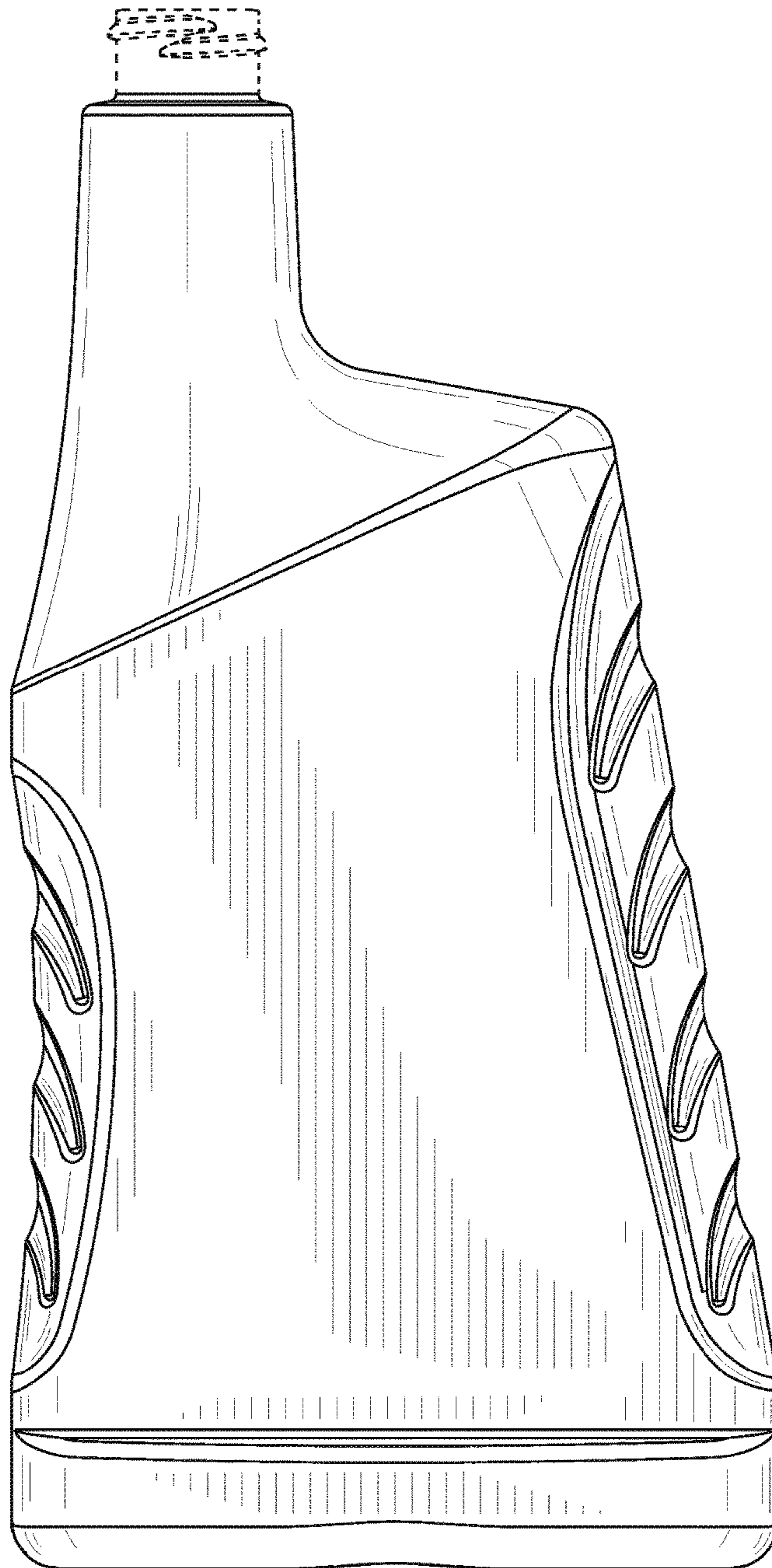


FIG. 2

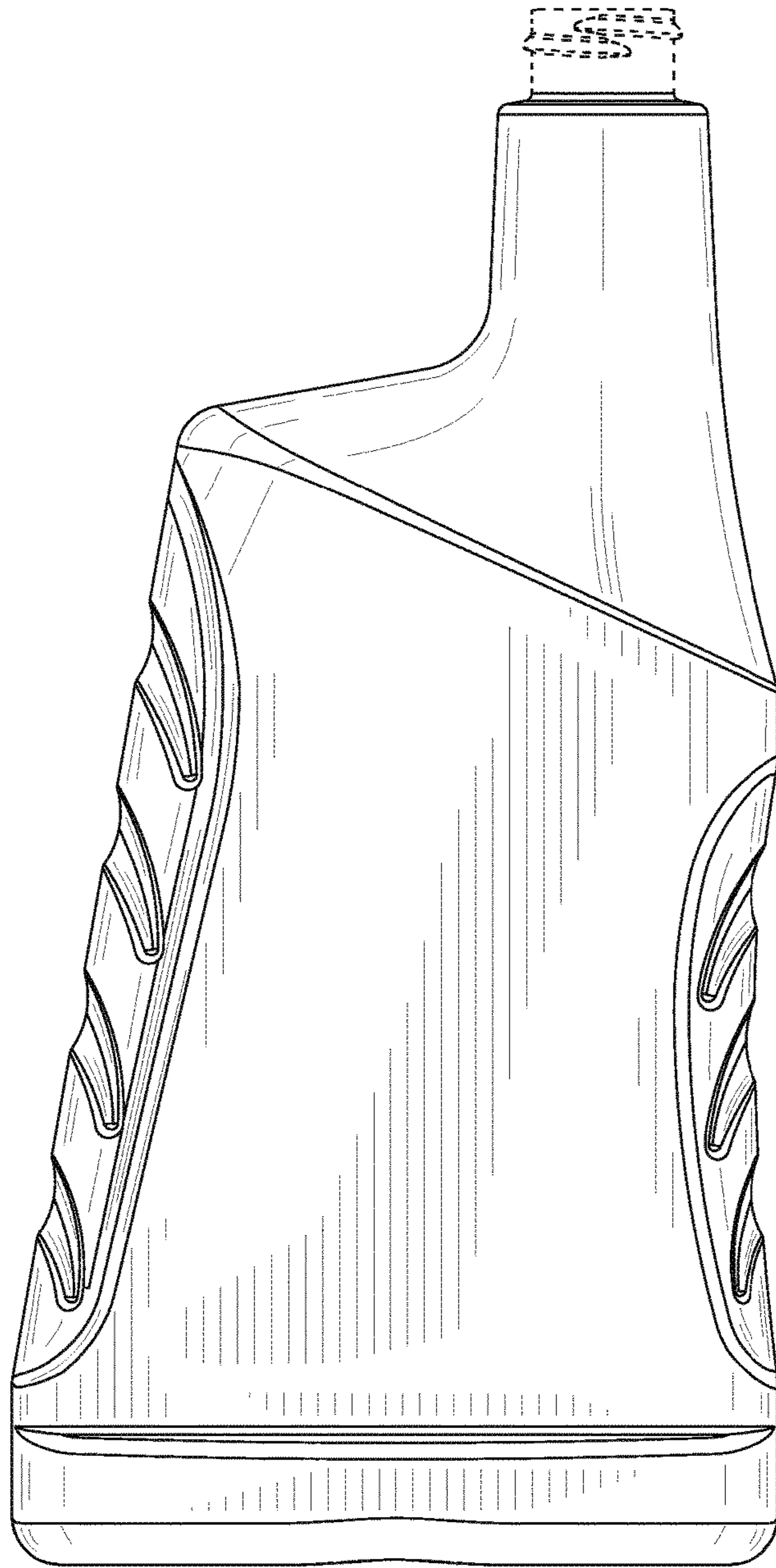


FIG. 3

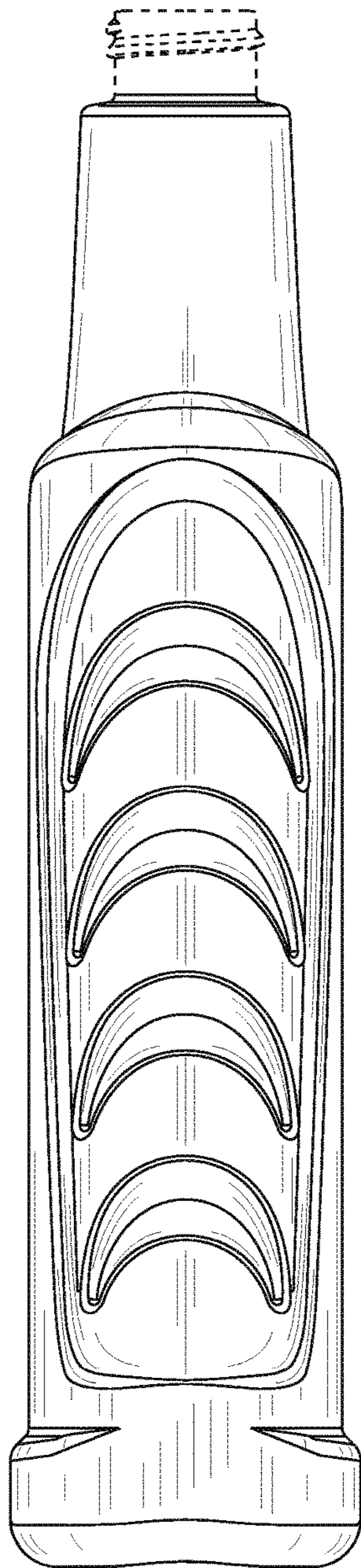


FIG. 4

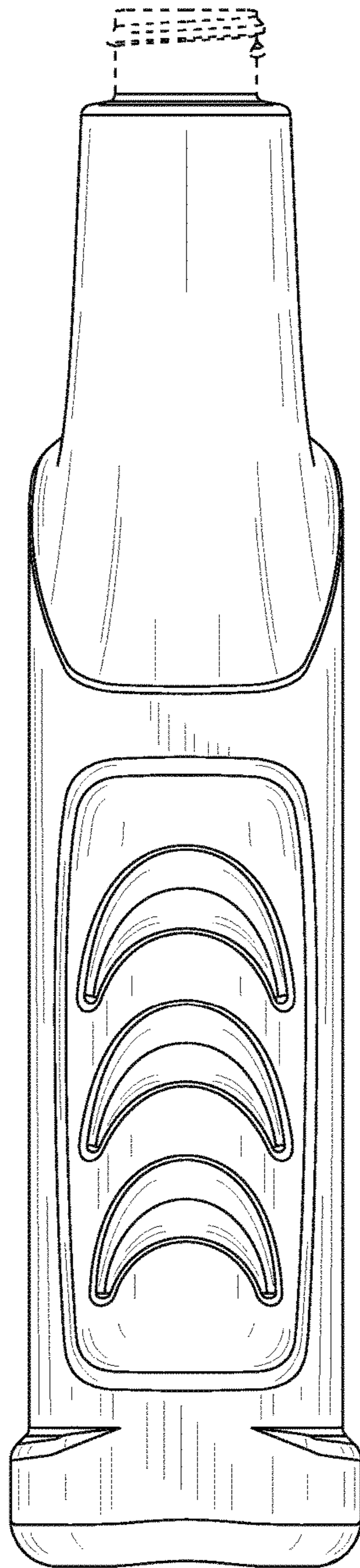


FIG. 5

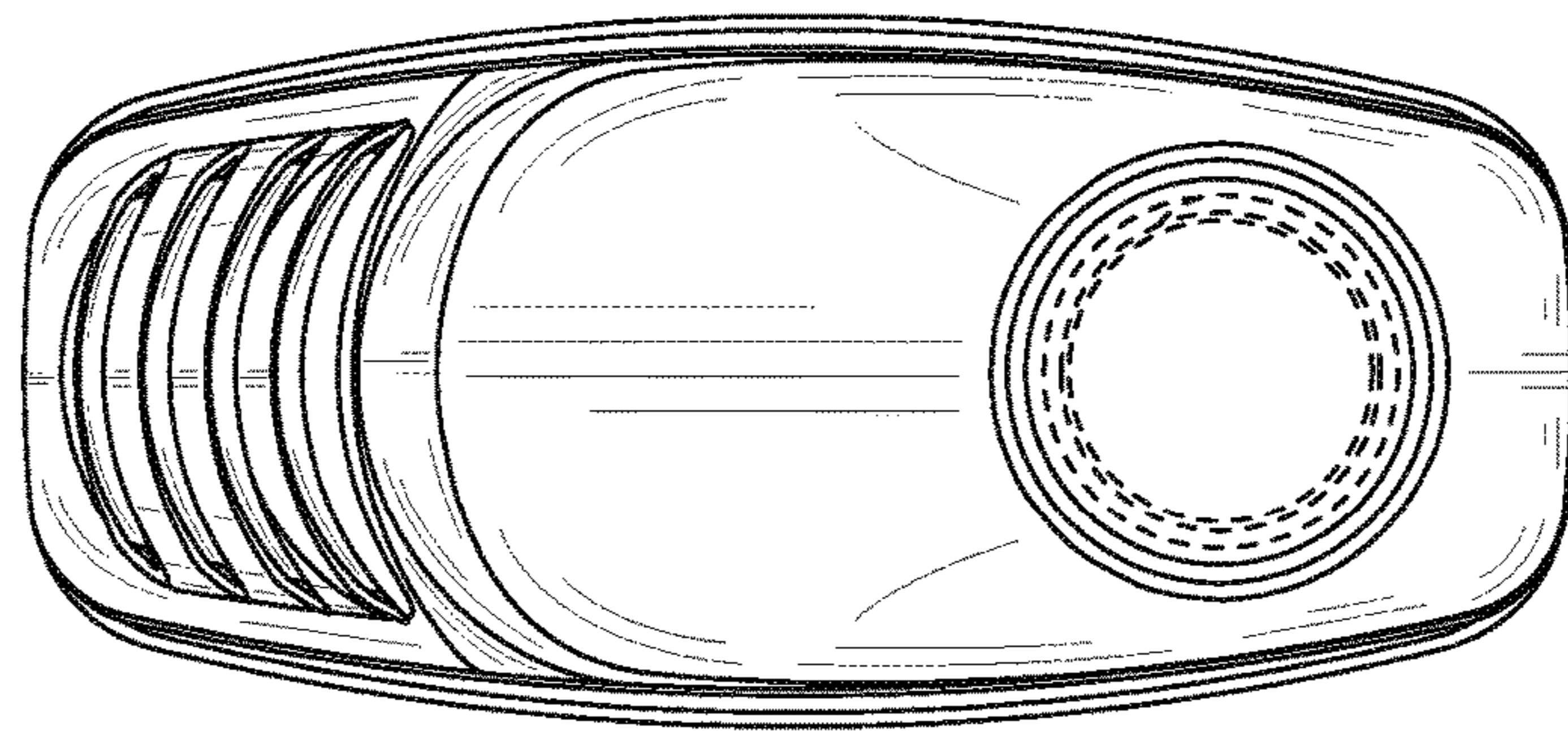


FIG. 6

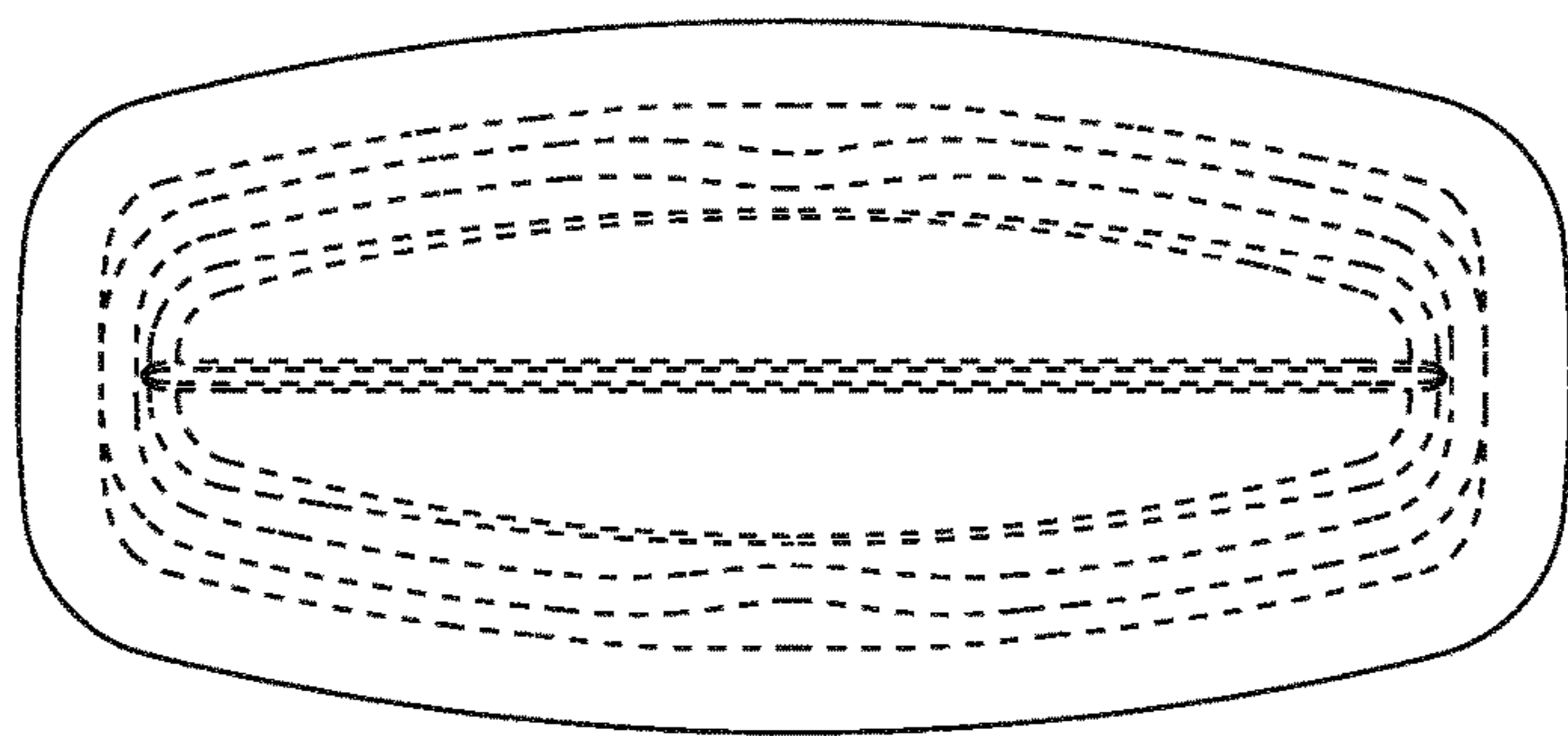


FIG. 7

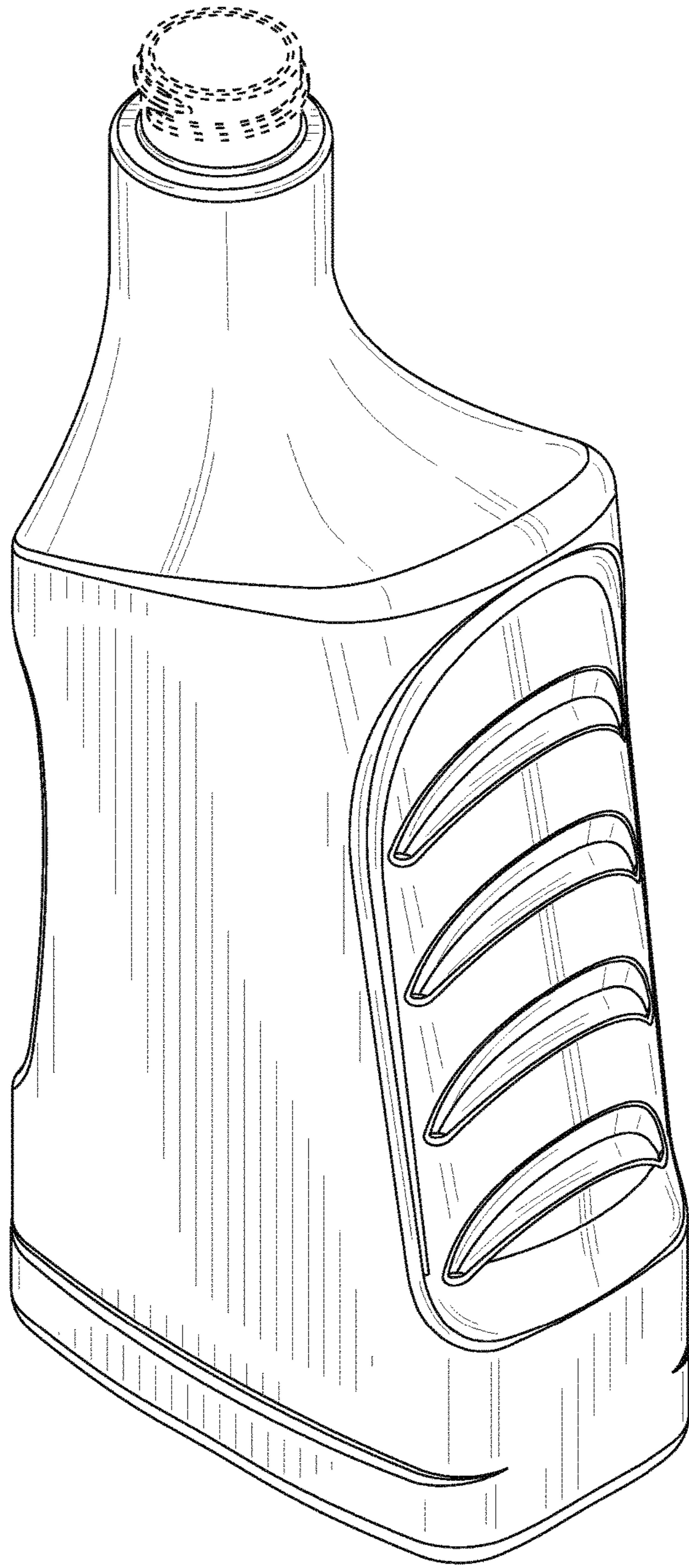


FIG. 8

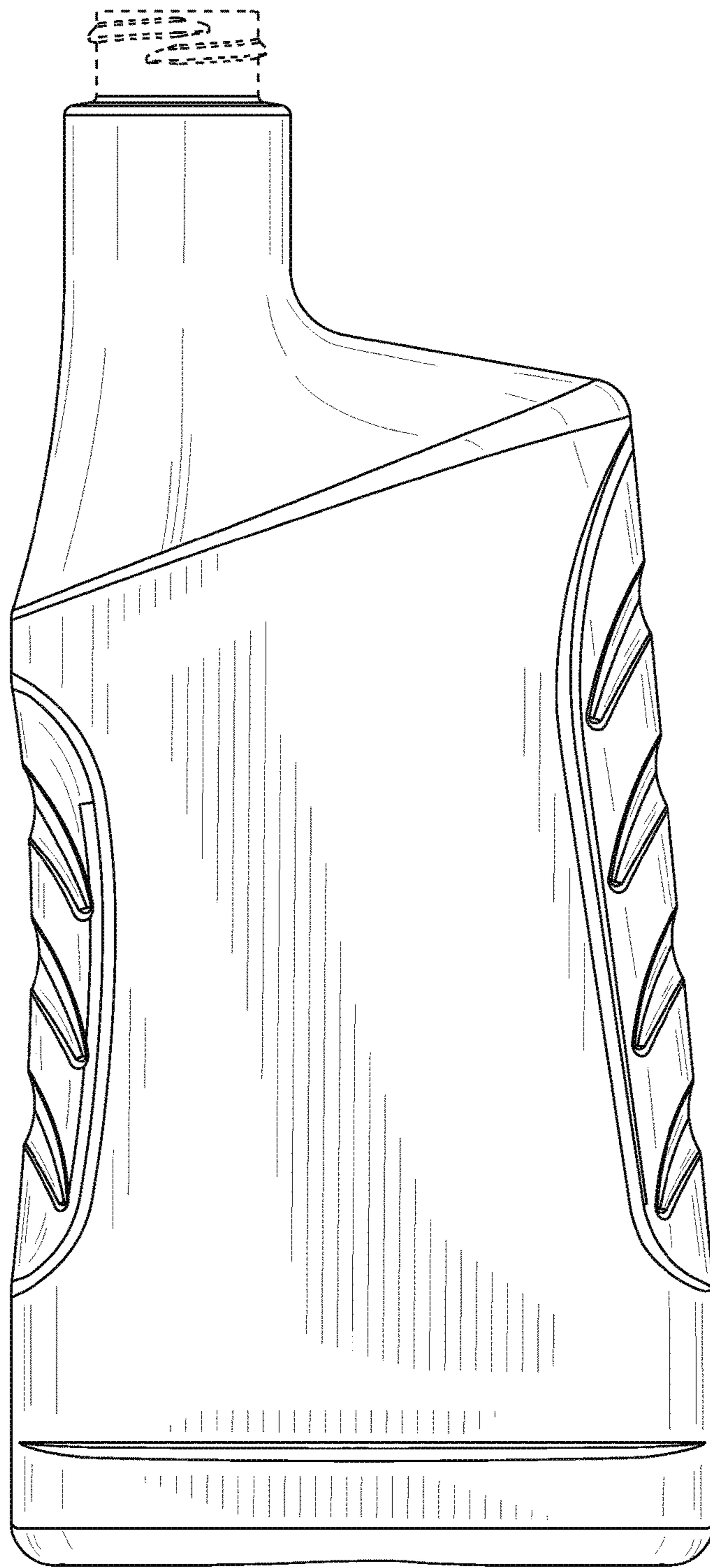


FIG. 9

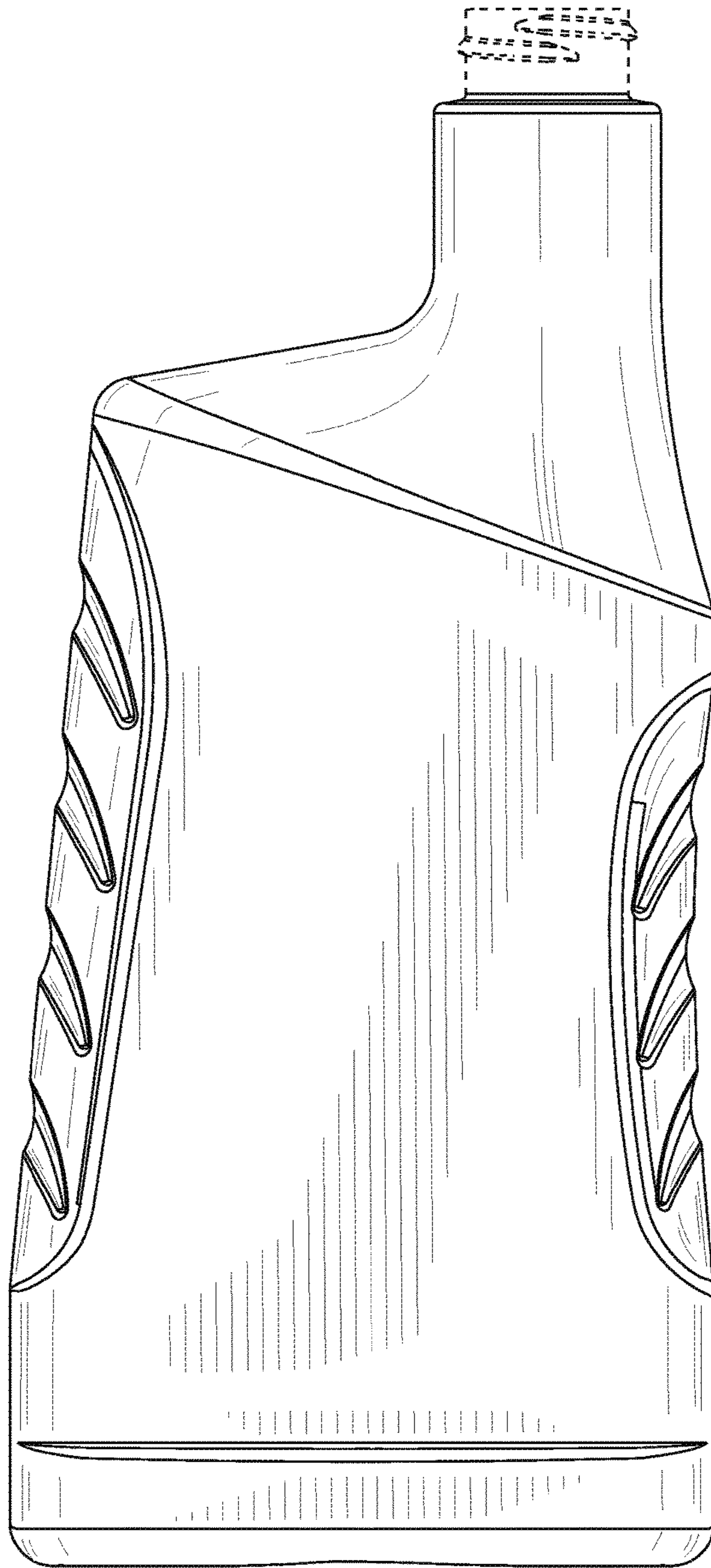


FIG. 10

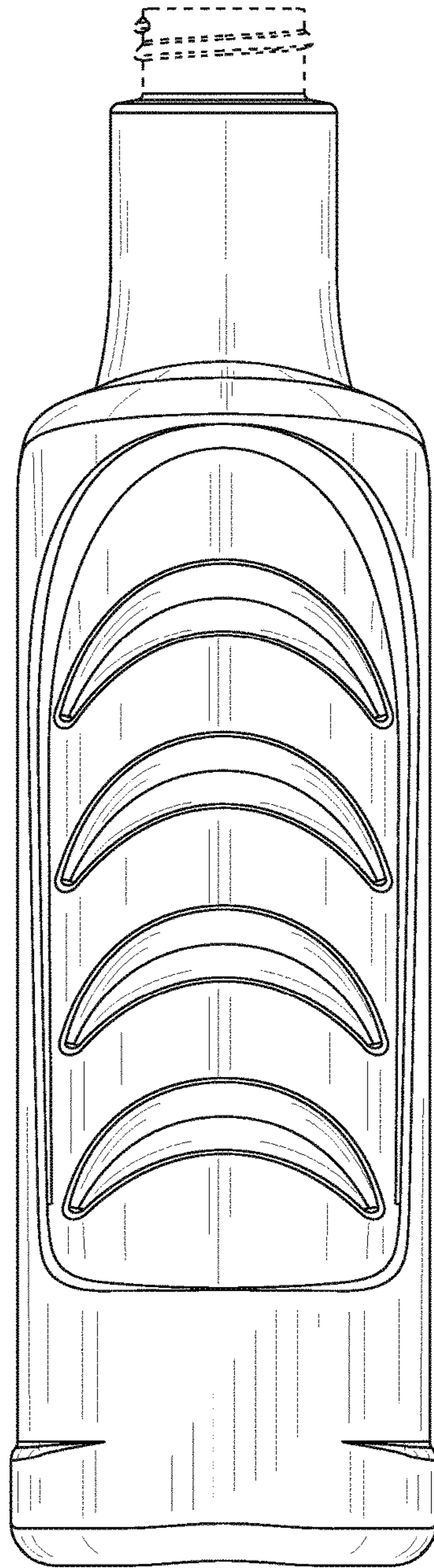


FIG. 11

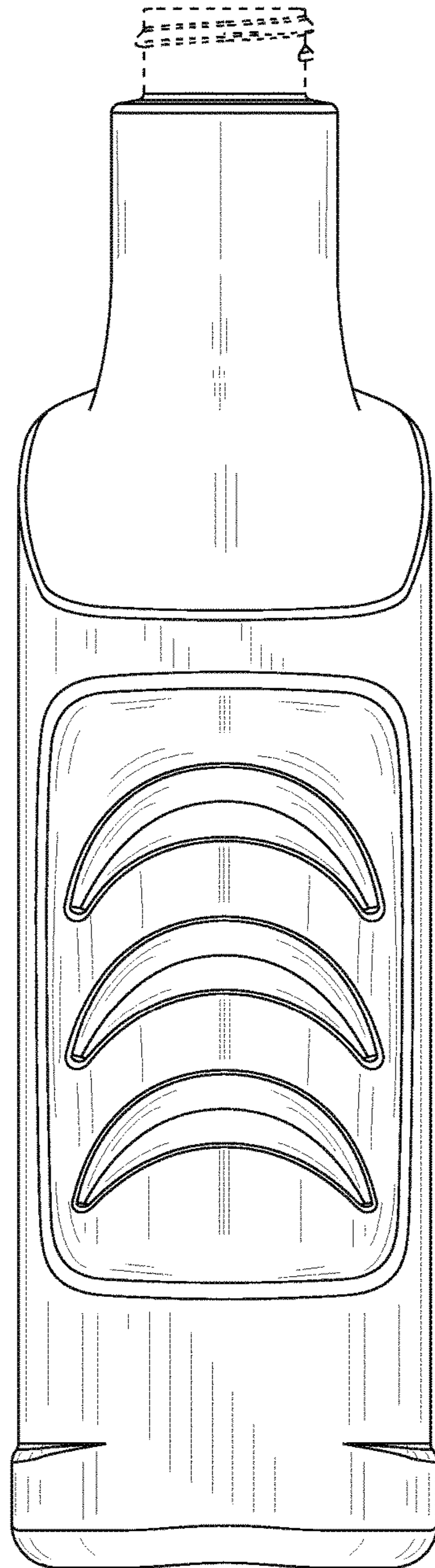


FIG. 12

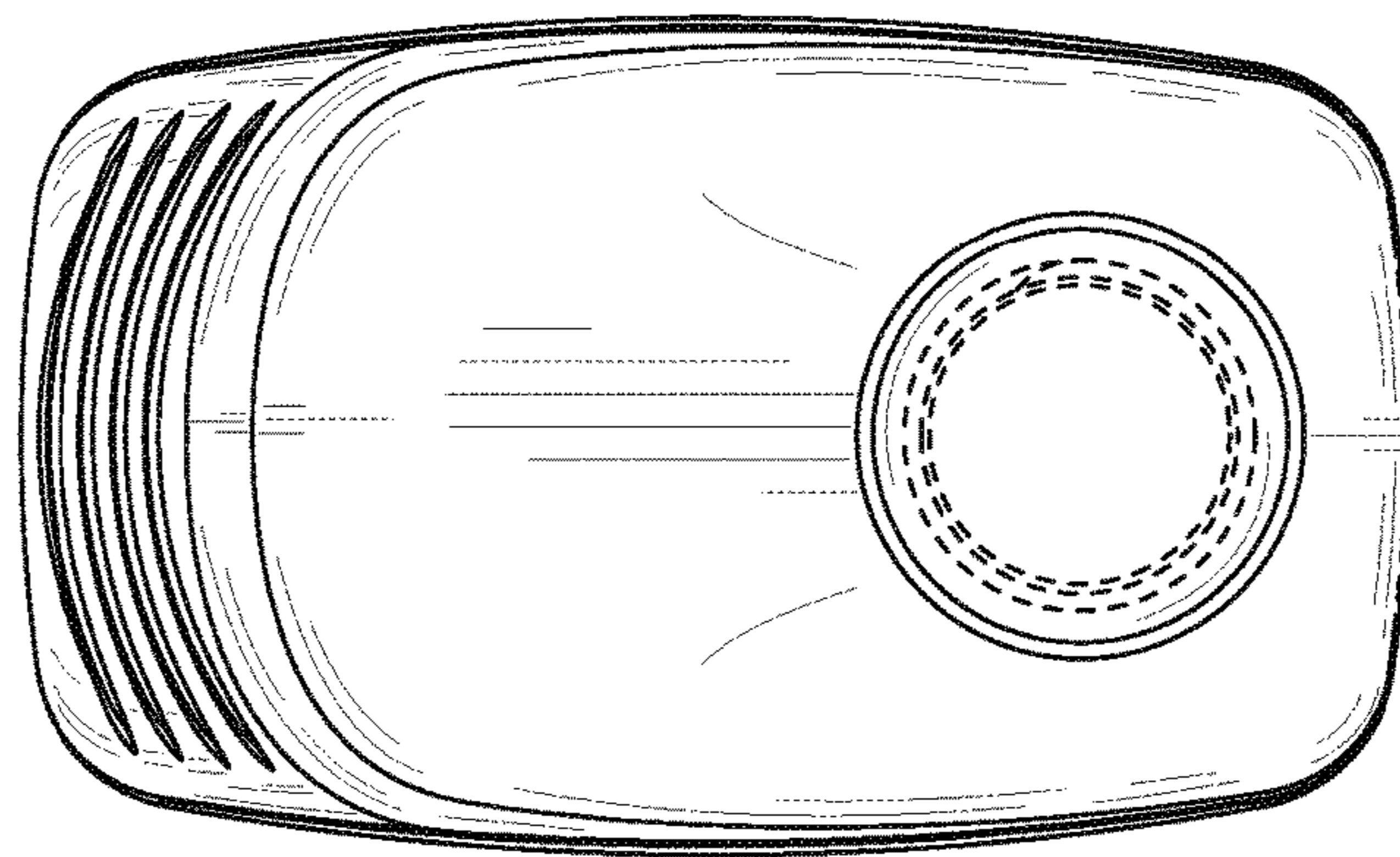


FIG. 13

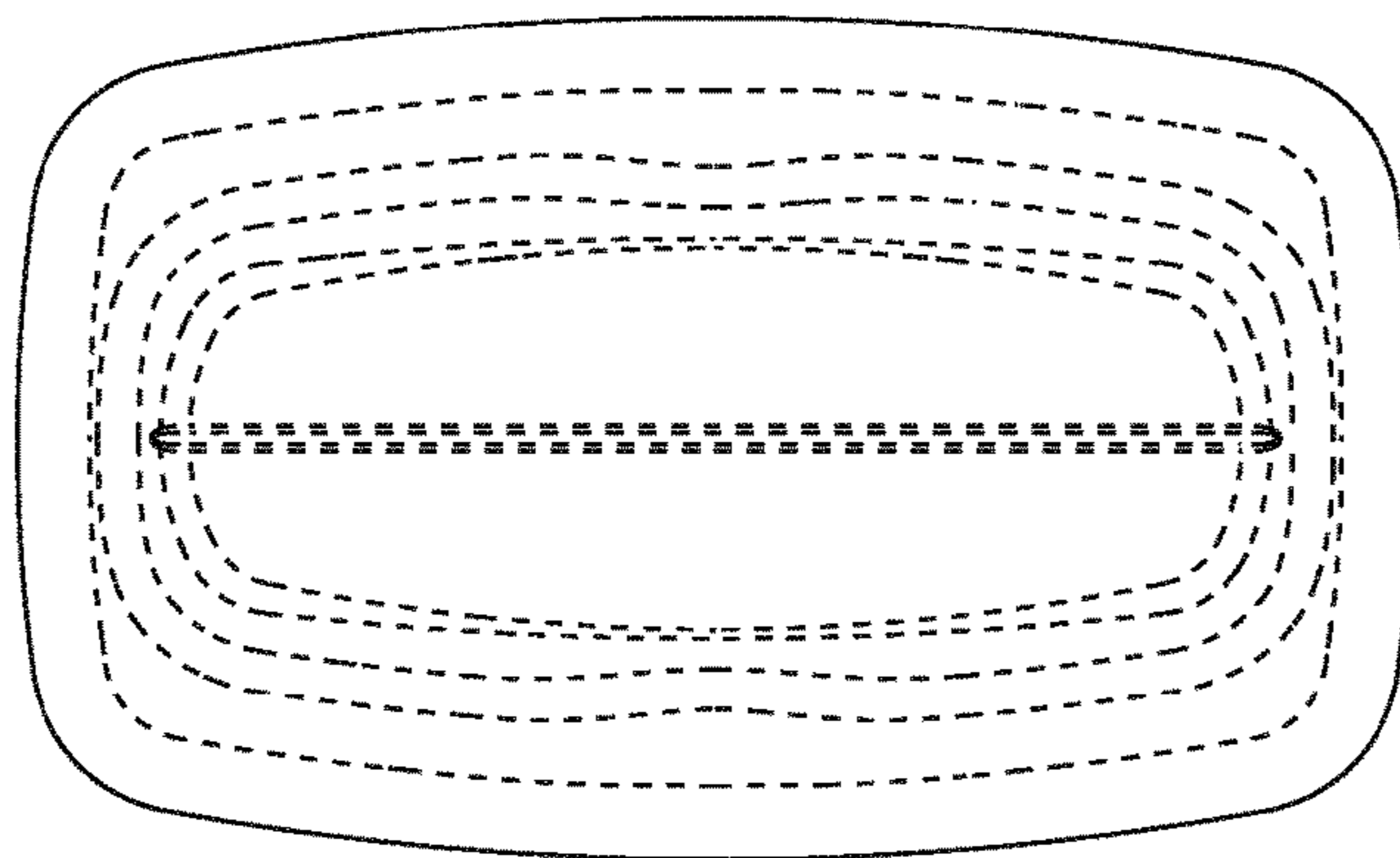


FIG. 14