



US00D854930S

(12) **United States Design Patent**  
**Harvey et al.**

(10) **Patent No.:** **US D854,930 S**  
(45) **Date of Patent:** **\*\* Jul. 30, 2019**

(54) **CONTAINER**

(71) Applicant: **Hewlett-Packard Development Company, Houston, TX (US)**

(72) Inventors: **David C. Harvey, Portland, OR (US); Kevin E. Swier, Albany, OR (US); Brad Benson, Corvallis, OR (US); Jeremy E. Barribeau, Portland, OR (US)**

(73) Assignee: **Hewlett-Packard Development Company, L.P., Spring, TX (US)**

(\*\*) Term: **15 Years**

(21) Appl. No.: **29/617,516**

(22) Filed: **Sep. 14, 2017**

(51) **LOC (11) Cl.** ..... **09-01**

(52) **U.S. Cl.**  
USPC ..... **D9/502; D9/531**

(58) **Field of Classification Search**  
USPC ..... D4/116; D6/515-516, 542-545; D7/300-322, 391-396.2, 509-511, 523, D7/589, 598, 612, 615, 619.1; D9/435, D9/436, 439, 440, 443, 447, 454, 500, D9/503-505, 516-575, 763-783; D24/197; D28/7, 57, 73, 76-91.1; 215/40-55, 316-354, 370-385; 220/574-575  
CPC ..... B65D 1/00; B65D 1/02; B65D 1/0223; B65D 1/023; B65D 1/0276  
See application file for complete search history.

(56) **References Cited**

**U.S. PATENT DOCUMENTS**

D194,630 S *	2/1963	Worthington .....	D9/531
D320,343 S *	10/1991	Halm .....	D32/29.1
D530,555 S *	10/2006	Karraker .....	D6/545
D554,865 S *	11/2007	Roesler .....	D3/282
D626,416 S *	11/2010	Cresswell .....	D7/510
D628,486 S *	12/2010	Lane .....	D7/510
D631,357 S *	1/2011	Pagliaro .....	D7/300.1
D782,413 S *	3/2017	Tsui .....	D13/108
D787,267 S *	5/2017	Maas .....	D7/510
D790,285 S *	6/2017	Seiders .....	D7/608
D805,852 S *	12/2017	Seiders .....	D7/608
D828,113 S *	9/2018	Fleischhut .....	D7/608
D831,433 S *	10/2018	Fleischhut .....	D7/608

\* cited by examiner

*Primary Examiner* — Cathron C Brooks  
*Assistant Examiner* — Christian P. McLean  
(74) *Attorney, Agent, or Firm* — HP Inc. Patent Department

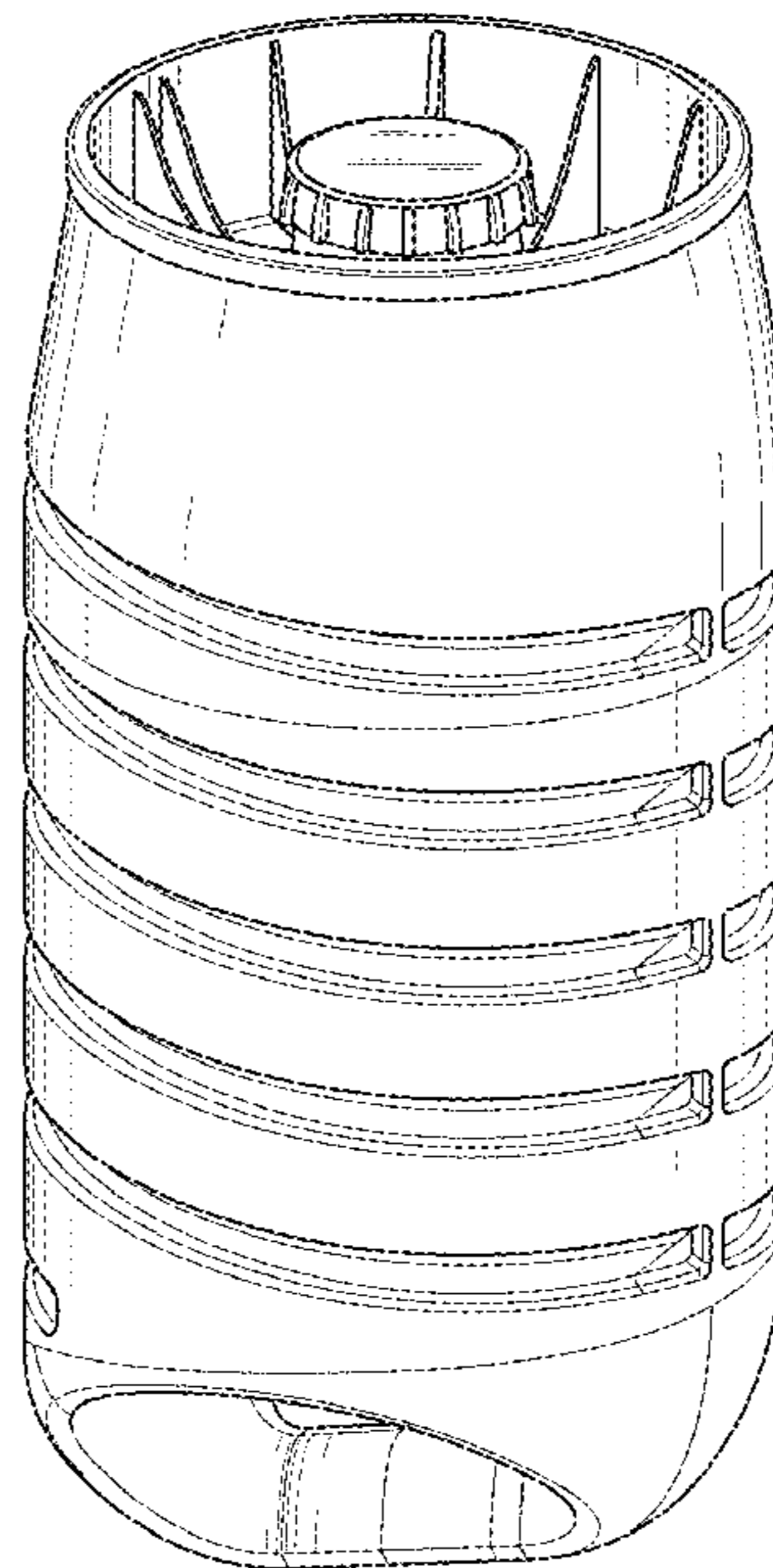
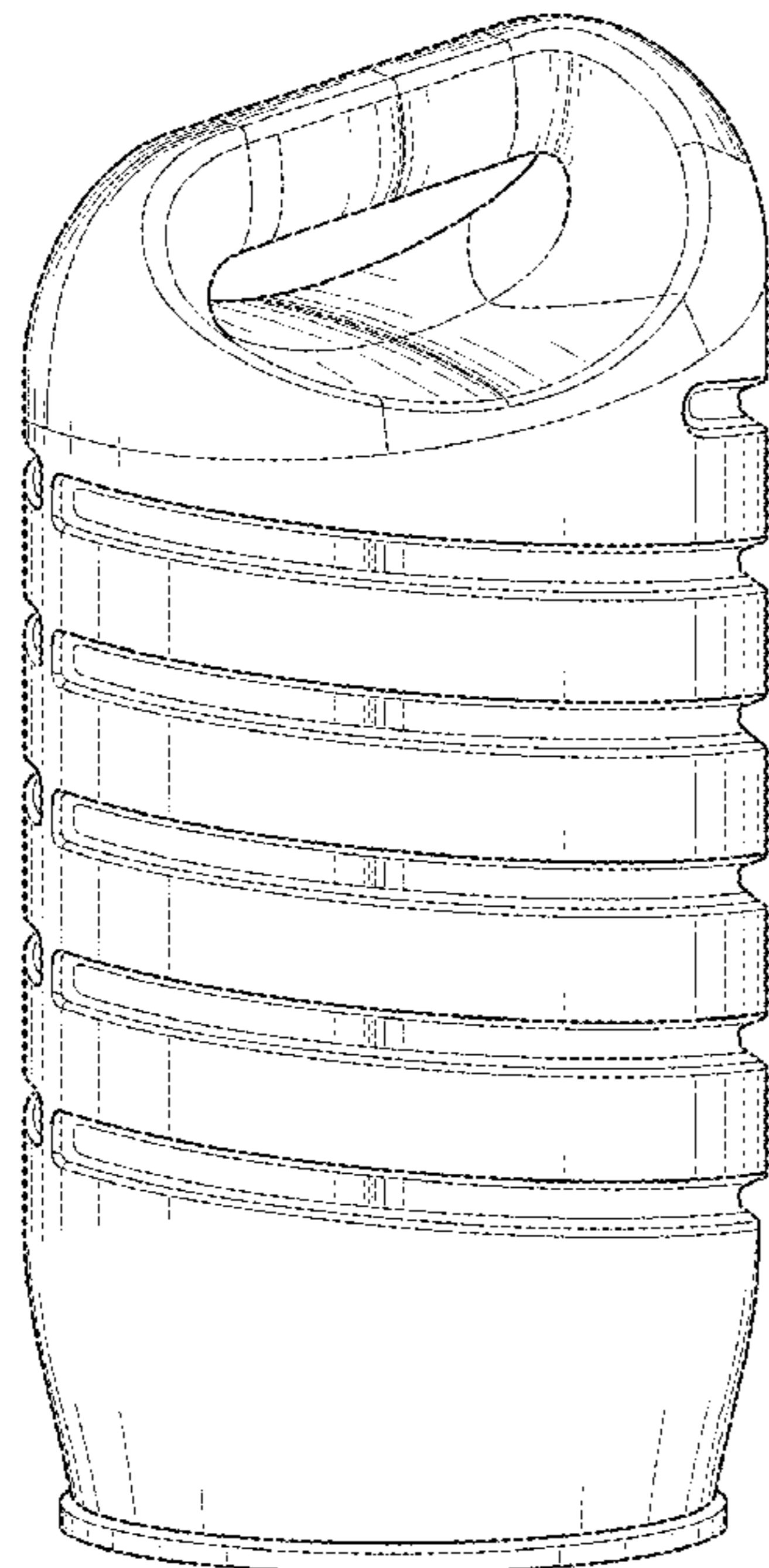
(57) **CLAIM**

We claim the ornamental design for a container, as shown and described.

**DESCRIPTION**

FIG. 1 is a top perspective view of a container;  
FIG. 2 is a front view thereof;  
FIG. 3 is a rear view thereof;  
FIG. 4 is a first side view thereof;  
FIG. 5 is a second side view thereof;  
FIG. 6 is a top view thereof;  
FIG. 7 is a bottom view thereof; and,  
FIG. 8 is a bottom perspective view thereof.

**1 Claim, 8 Drawing Sheets**



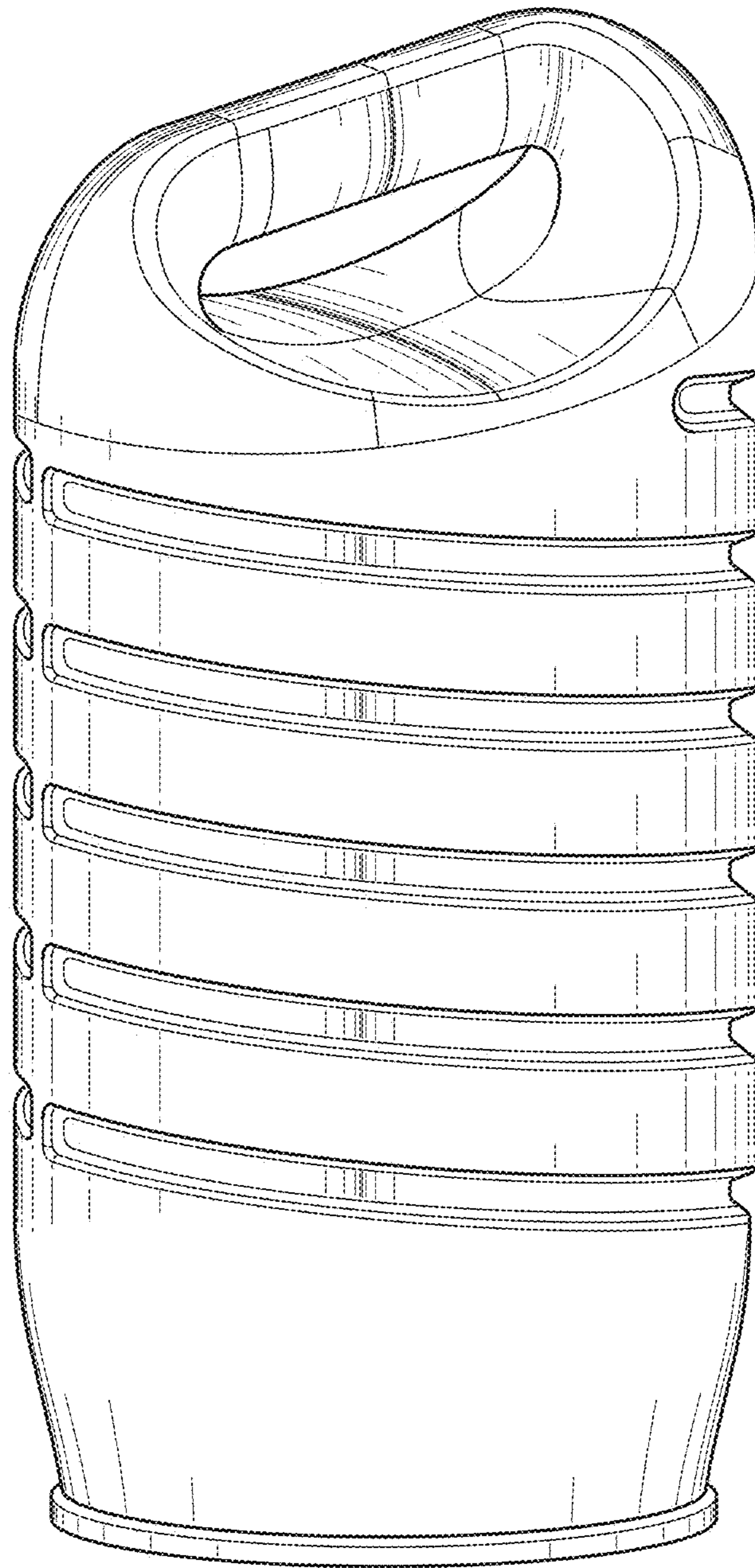


FIG. 1

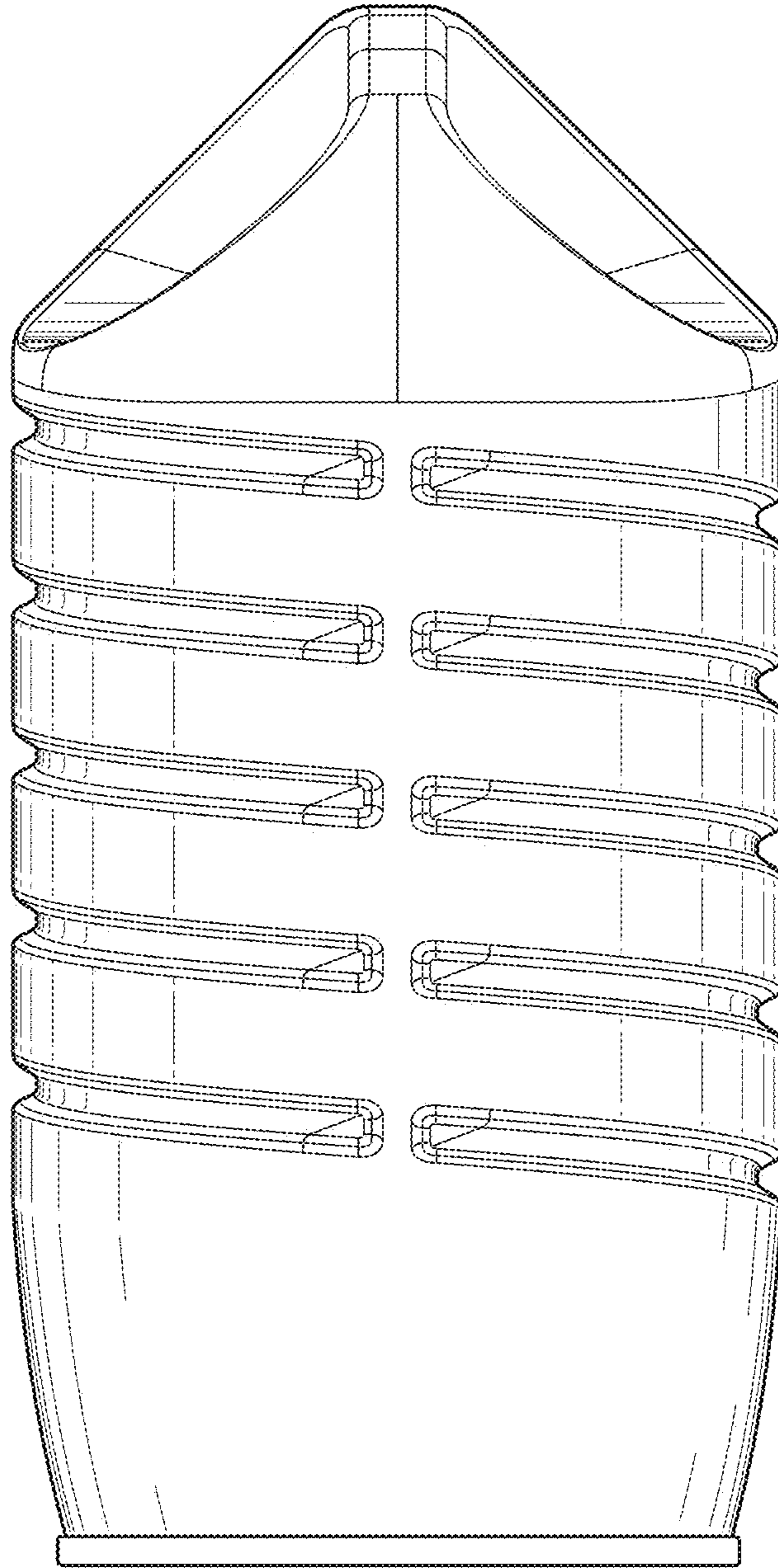


FIG. 2



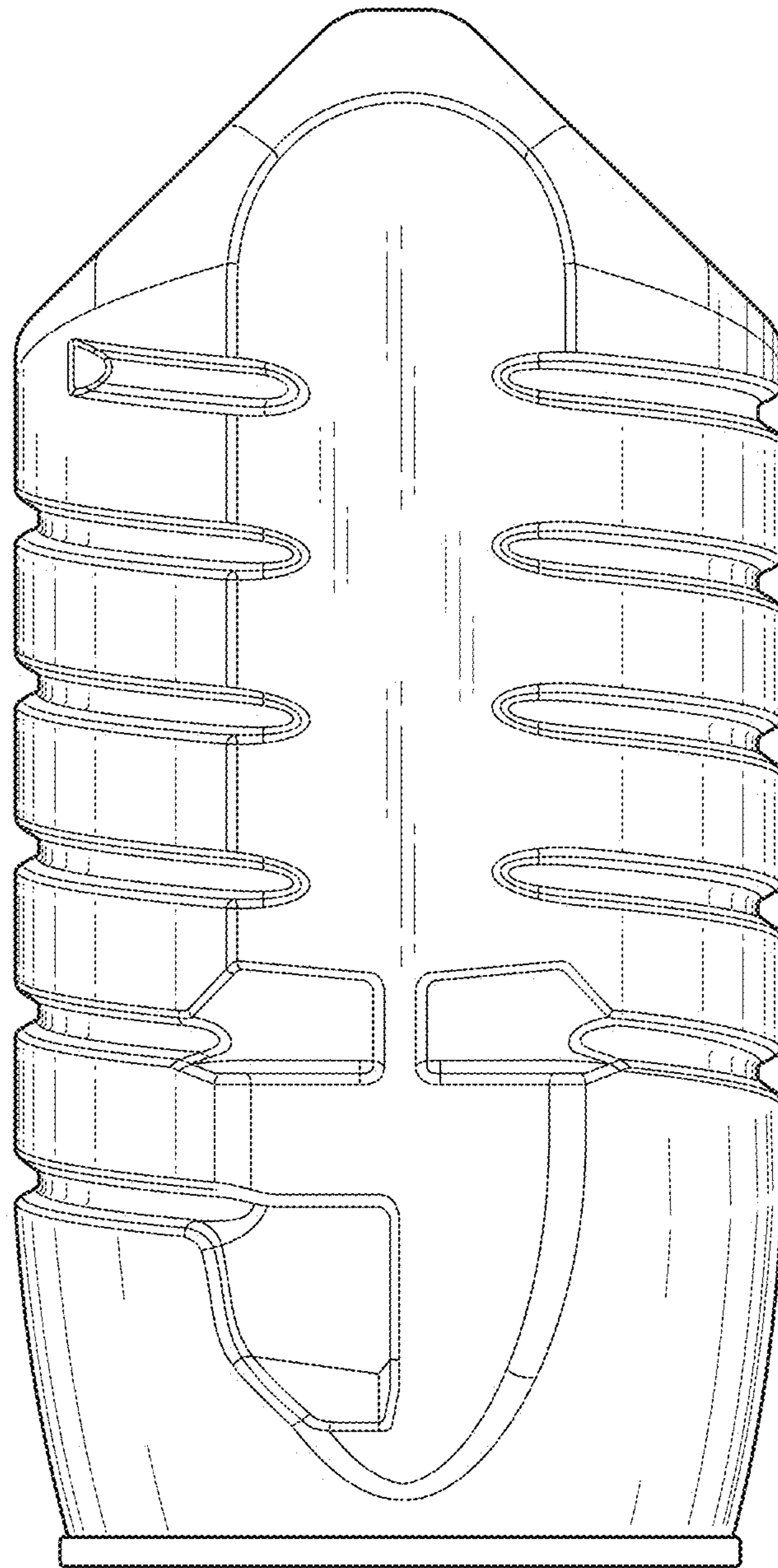


FIG. 3

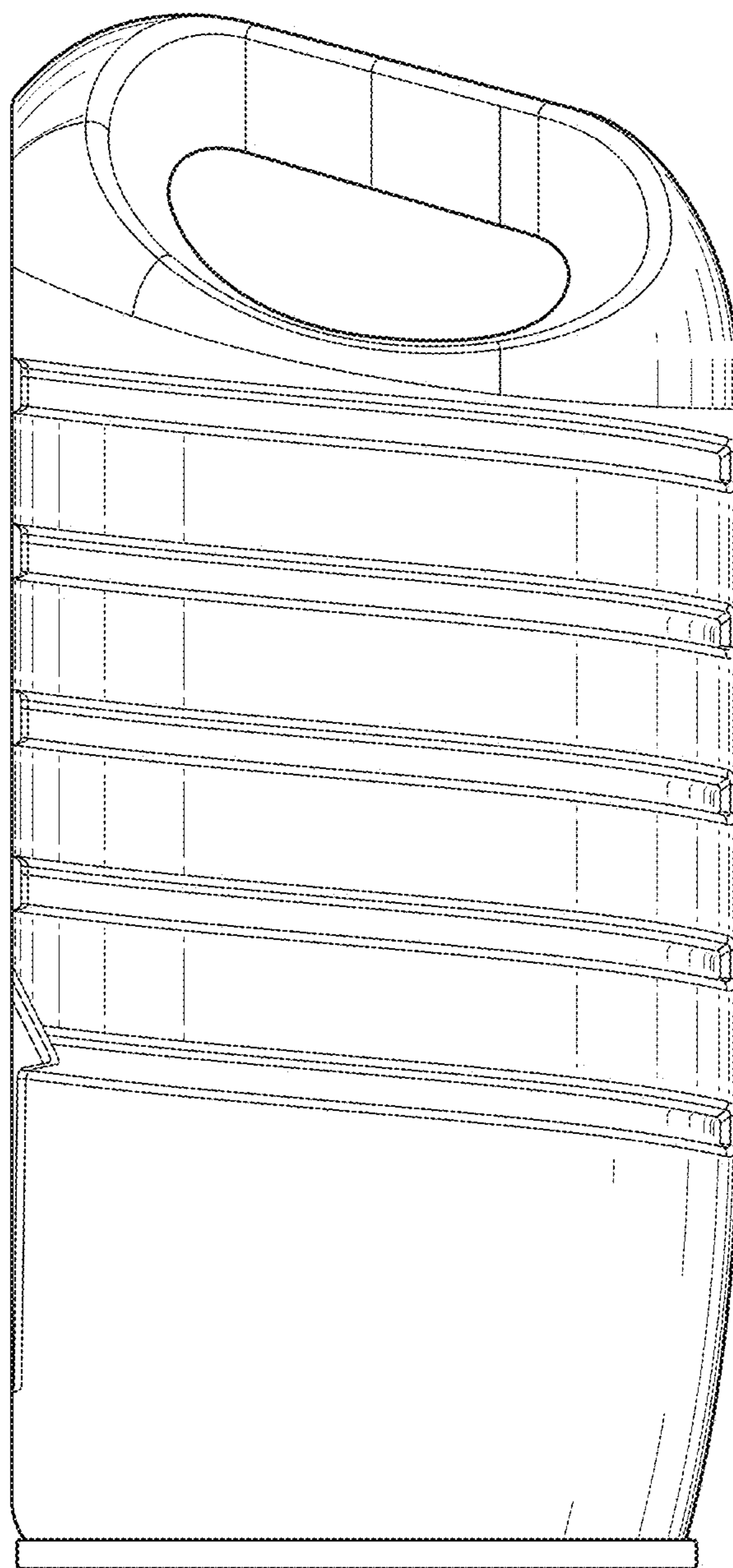


FIG. 4

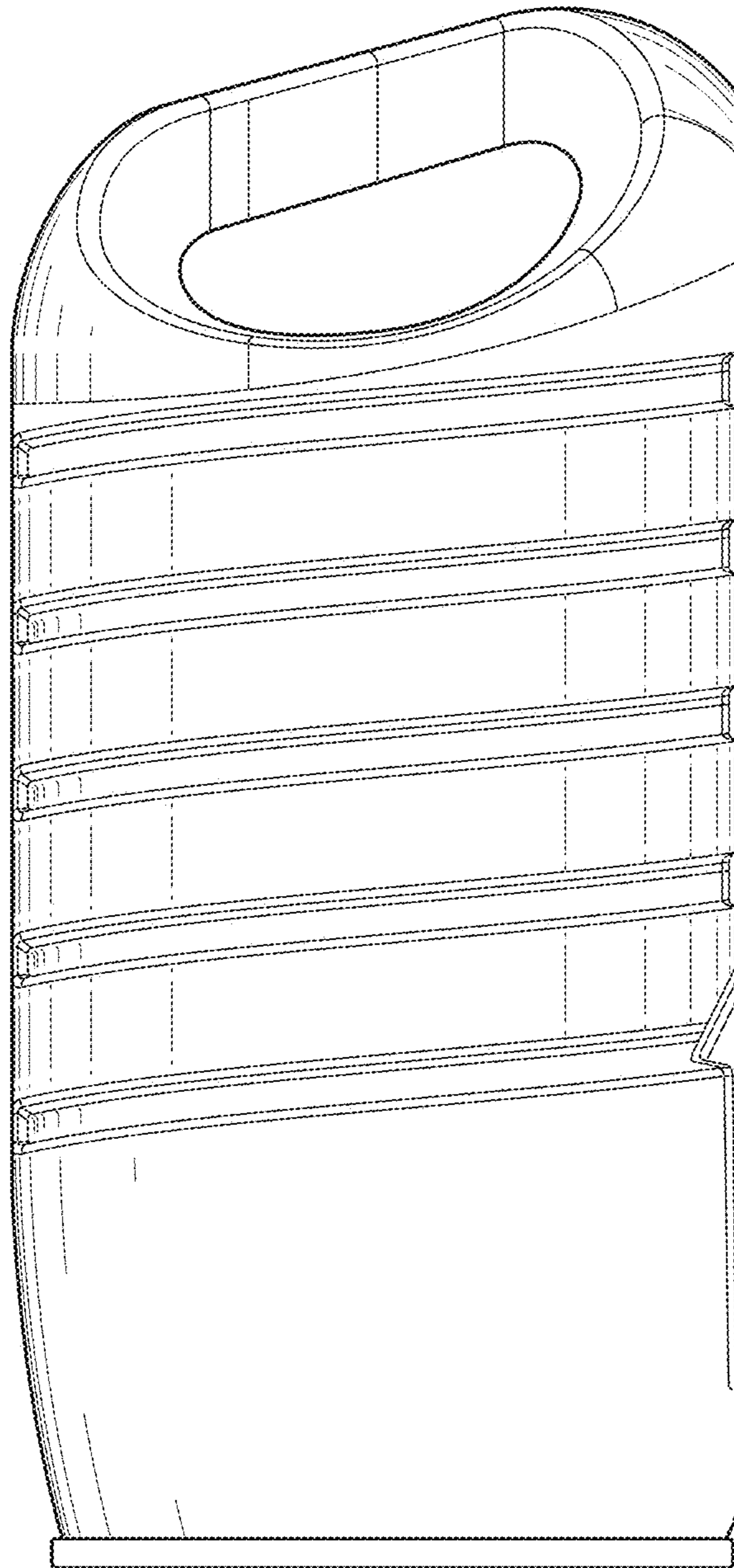


FIG. 5

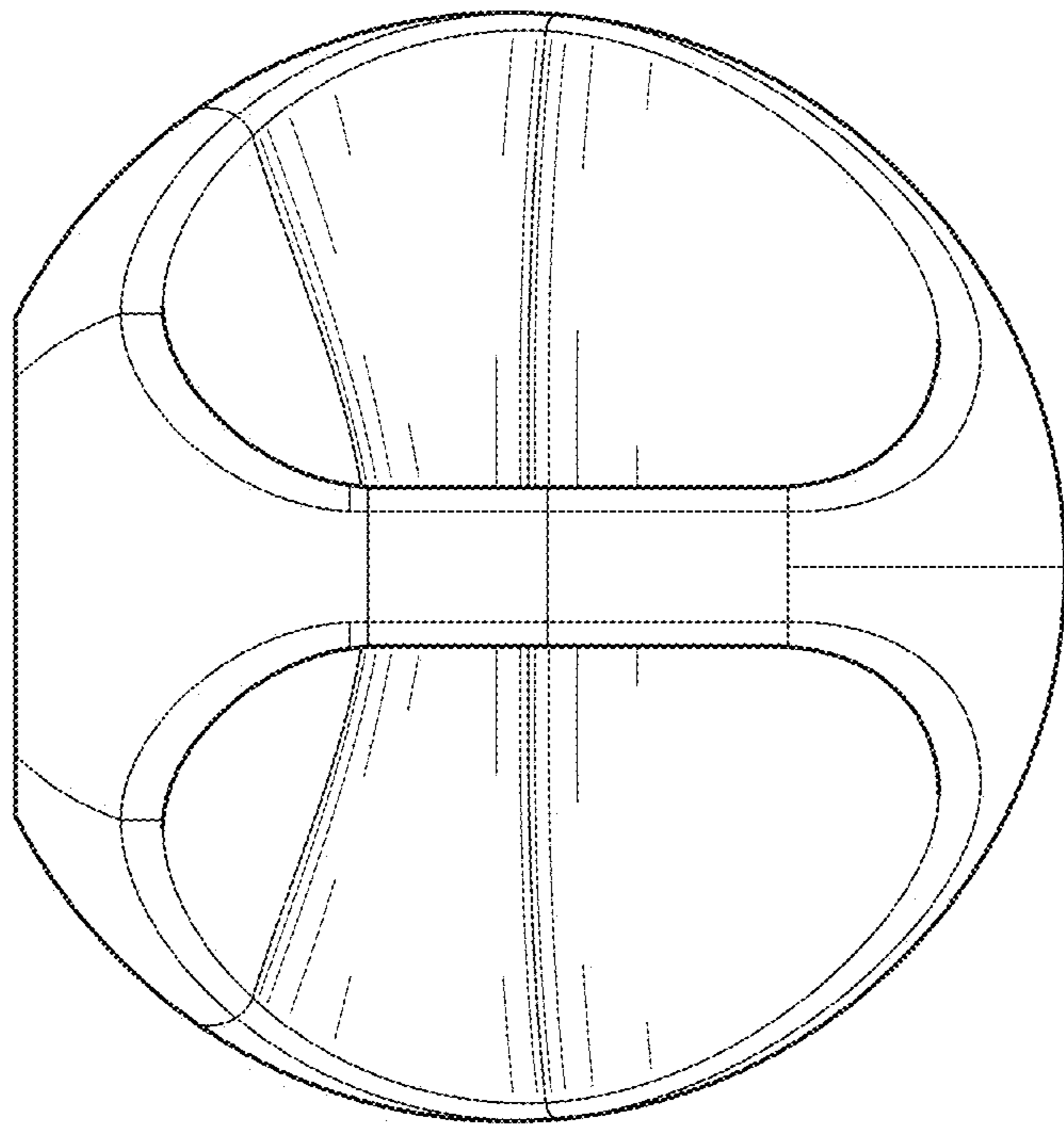


FIG. 6

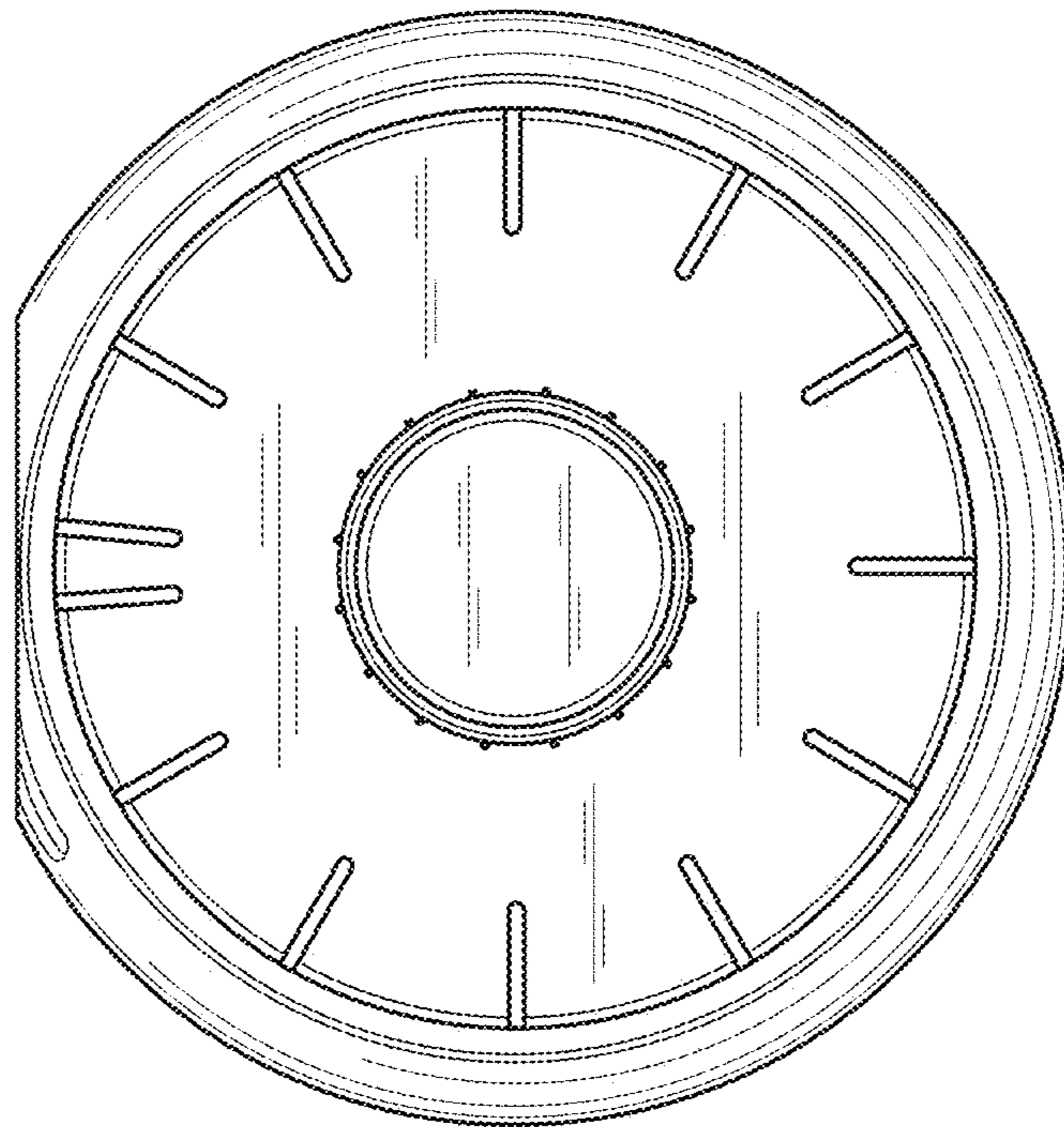


FIG. 7



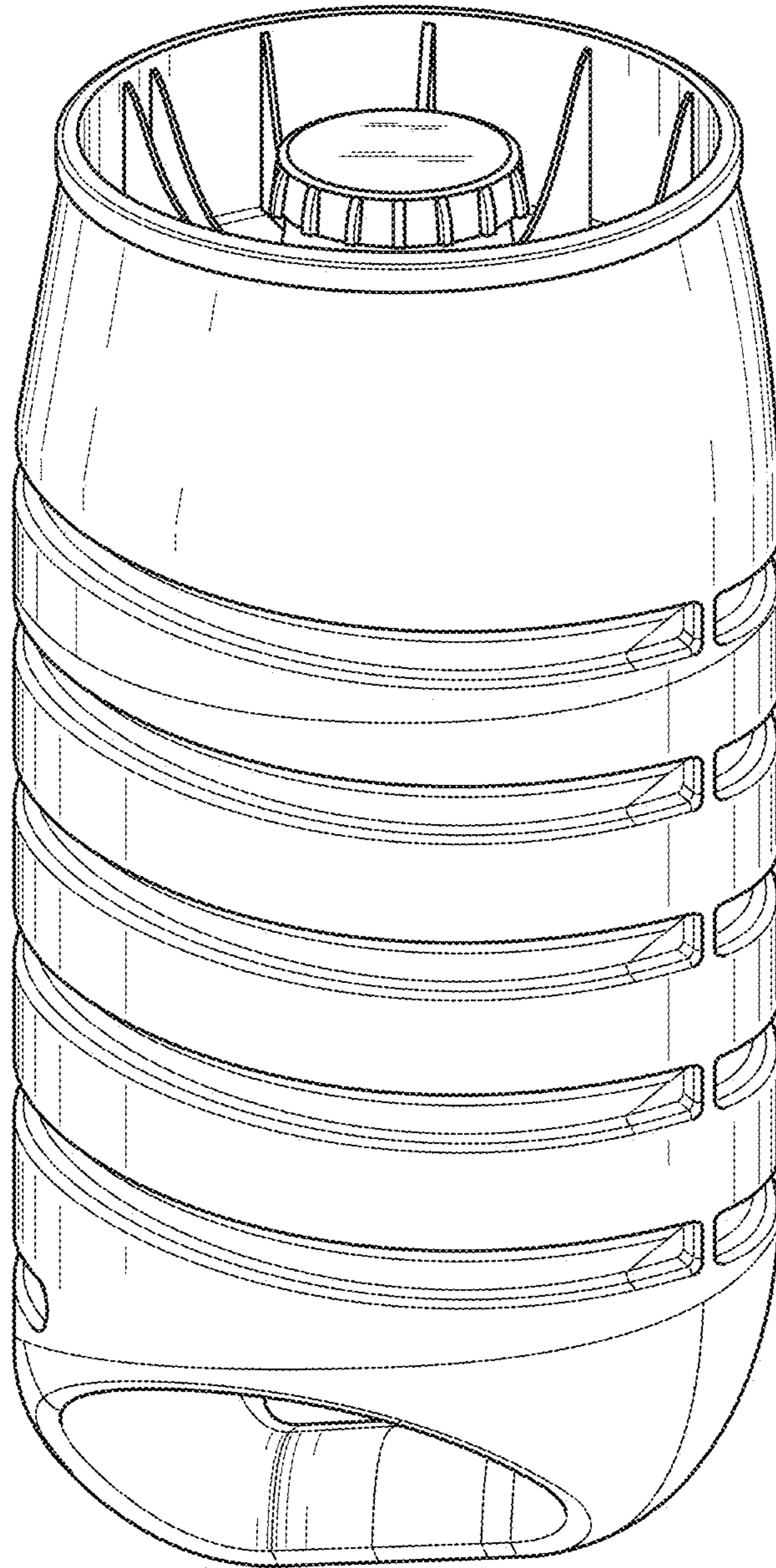


FIG. 8