

US00D854927S

(12) **United States Design Patent**  
**Biesecker Longacre et al.**

(10) **Patent No.:** **US D854,927 S**  
(45) **Date of Patent:** **\*\* Jul. 30, 2019**

- (54) **CAP**
- (71) Applicant: **Drug Plastics & Glass Company, Inc.**,  
Boyertown, PA (US)
- (72) Inventors: **Lissa Biesecker Longacre**, Boyertown,  
PA (US); **Walter Henry**, Boyertown,  
PA (US); **Michael C. Sponsel**,  
Boyertown, PA (US); **Kyle A. Moll**,  
Boyertown, PA (US); **Douglas S.**  
**Camomile**, Boyertown, PA (US)
- (73) Assignee: **Drug Plastics & Glass Company, Inc.**,  
Boyertown, PA (US)
- (\*\*) Term: **15 Years**
- (21) Appl. No.: **29/611,847**
- (22) Filed: **Jul. 26, 2017**
- (51) **LOC (11) Cl.** ..... **09-07**
- (52) **U.S. Cl.**  
USPC ..... **D9/435; D9/454**
- (58) **Field of Classification Search**  
USPC ..... D7/392, 392.1, 396.1, 396.2, 397, 398;  
D9/434-436, 439, 443, 447, 449, 454,  
D9/499  
CPC ..... B65D 50/041  
See application file for complete search history.

- 3,853,237 A 12/1974 Marchant
  - 3,934,745 A 1/1976 Lovell
  - 4,180,178 A 12/1979 Turner
  - 4,500,006 A 2/1985 Lafortune et al.
  - D298,608 S 11/1988 Dewing
- (Continued)

**OTHER PUBLICATIONS**

Alibaba.com. 400cc PET clear plastic pharmaceutical round bottle for fish oil capsules with aluminum lid and label printing. 2018. <URL:https://www.alibaba.com/product-detail/400cc-PET-clear-plastic-pharmaceutical-round\_60020566183.html>. (Year: 2018).\*

(Continued)

*Primary Examiner* — George D. Kirschbaum  
*Assistant Examiner* — Darcey E Gottschalk  
(74) *Attorney, Agent, or Firm* — Panitch Schwarze  
Belisario & Nadel LLP

(57) **CLAIM**

The ornamental design for a cap, as shown and described.

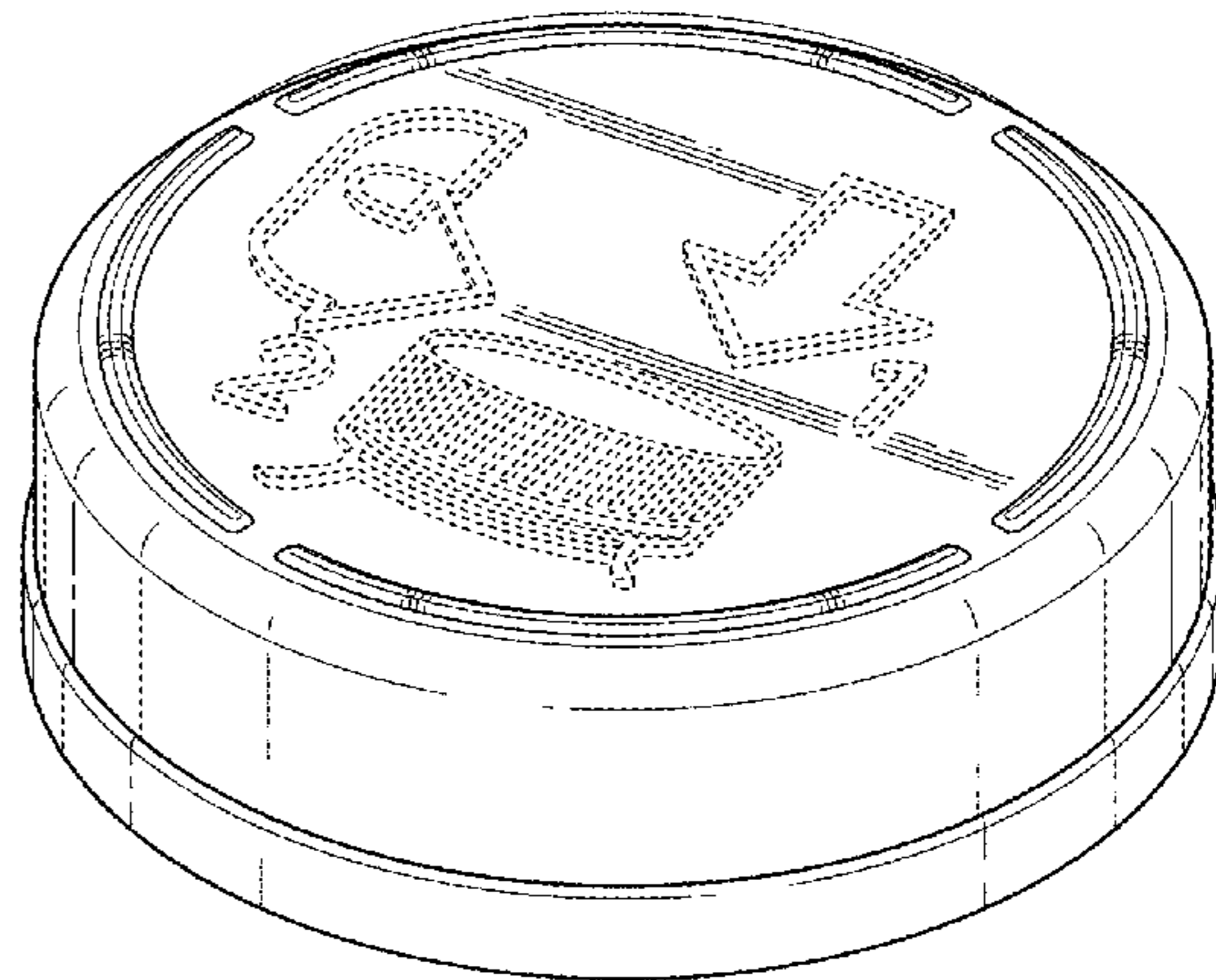
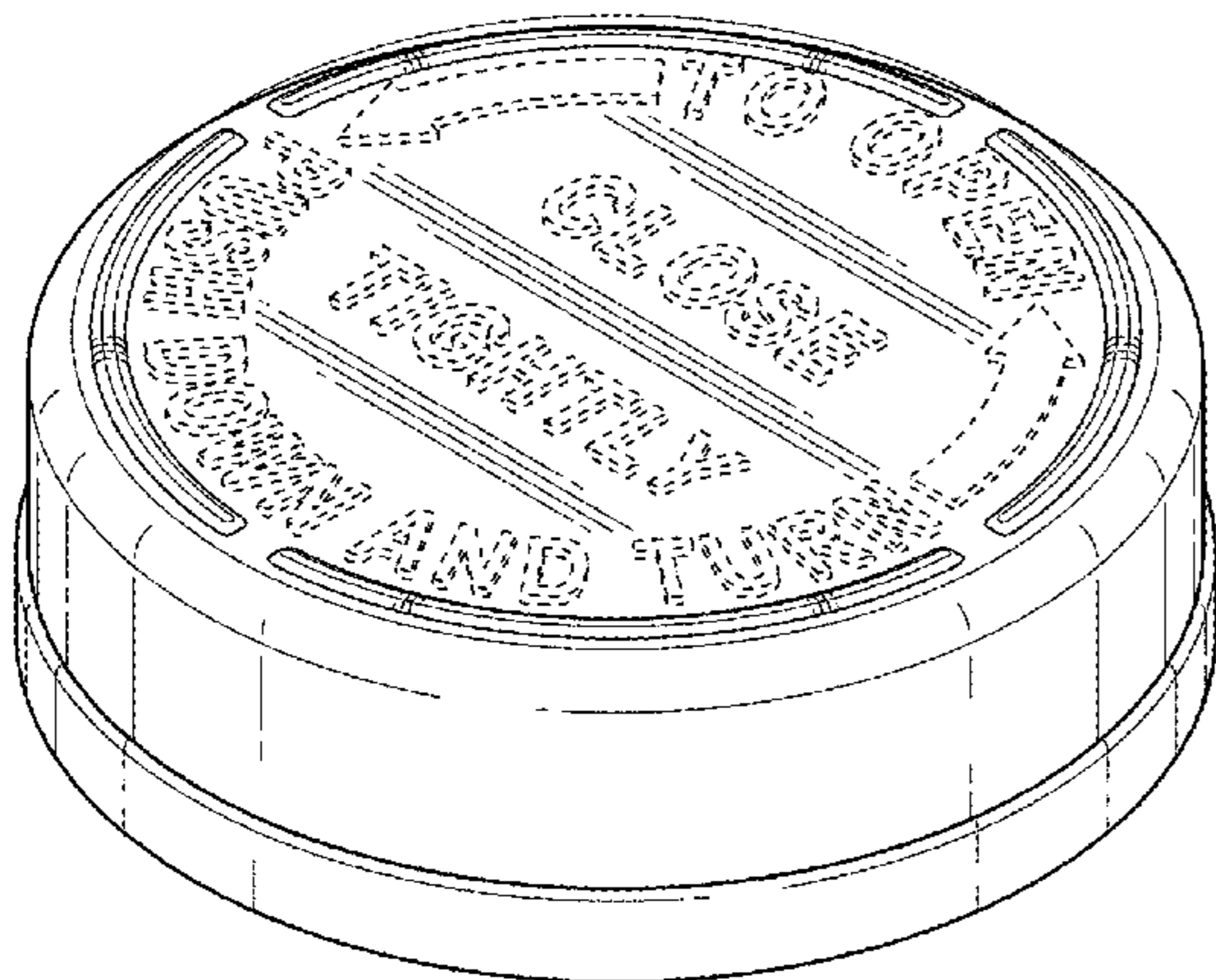
**DESCRIPTION**

FIG. 1 is a top perspective view of a cap in accordance with a first preferred embodiment of my new design; FIG. 2 is a top plan view thereof; FIG. 3 is a front elevational view thereof, rear, left side and right side elevational views being substantially the same; FIG. 4 is a bottom plan view thereof; FIG. 5 is a top perspective view of a cap in accordance with a second preferred embodiment of my new design; and, FIG. 6 is a top plan view thereof, front, rear, left and right side elevational views being substantially the same as FIG. 3 and a bottom plan view thereof being substantially the same as FIG. 4. The broken lines of the figure drawings are included to show environment that forms no part of the claimed design.

**1 Claim, 3 Drawing Sheets**

(56) **References Cited**  
U.S. PATENT DOCUMENTS

- 1,426,209 A 8/1922 Newland
- 1,580,544 A 4/1926 Spengler
- 2,218,308 A 10/1940 Corner
- 3,170,588 A 2/1965 Lyon, Sr.
- 3,330,720 A 7/1967 Stevens et al.
- 3,782,575 A 1/1974 Braun
- 3,825,143 A 7/1974 Julian



(56)

References Cited

U.S. PATENT DOCUMENTS

D311,868 S 11/1990 Armstrong  
 D327,849 S 7/1992 Armstrong  
 D329,809 S \* 9/1992 Bloomfield ..... D9/435  
 D361,265 S 8/1995 Doxey  
 D362,389 S \* 9/1995 Frye ..... D9/452  
 5,469,758 A 11/1995 Howie, Jr.  
 5,597,096 A 1/1997 Jeppesen et al.  
 D399,743 S \* 10/1998 Coon ..... D9/443  
 D404,303 S \* 1/1999 Webster ..... D9/443  
 D409,490 S 5/1999 Page  
 6,024,246 A 2/2000 Huang  
 D448,669 S 10/2001 Carducci et al.  
 D457,433 S 5/2002 Costanzo et al.  
 6,481,589 B2 11/2002 Blomdahl et al.  
 D470,051 S \* 2/2003 Bloom ..... D9/435  
 D476,563 S \* 7/2003 Brozell ..... D9/435  
 D481,946 S 11/2003 Nicholson et al.  
 D490,707 S \* 6/2004 Mataya ..... D24/224  
 6,886,585 B1 5/2005 King, Jr. et al.  
 D544,348 S 6/2007 Szczesniak  
 D563,785 S 3/2008 Maki et al.  
 D565,027 S 3/2008 Fosbrink  
 D586,213 S \* 2/2009 Wells ..... D9/453  
 D605,038 S 12/2009 Olive-Bartres et al.

D607,326 S \* 1/2010 Branson ..... D9/453  
 D616,303 S \* 5/2010 Gonzalez ..... D9/436  
 D618,099 S 6/2010 Biesecker et al.  
 D618,101 S 6/2010 Schmitz  
 D641,628 S \* 7/2011 Baughman ..... D9/452  
 D679,994 S \* 4/2013 Dahl ..... D9/436  
 8,474,634 B1 \* 7/2013 Branson ..... B65D 50/041  
 215/219  
 9,061,801 B2 6/2015 Ropele  
 9,187,220 B2 11/2015 Biesecker et al.  
 2004/0011759 A1 1/2004 Hahn et al.  
 2004/0195241 A1 10/2004 Stull et al.  
 2007/0068892 A1 3/2007 Kaufman  
 2008/0073312 A1 3/2008 Babcock et al.  
 2008/0302753 A1 12/2008 Jochem et al.  
 2009/0223967 A1 9/2009 Mengeu et al.  
 2014/0124471 A1 5/2014 Vihorev  
 2015/0336716 A1 11/2015 Gehringer et al.

OTHER PUBLICATIONS

Made in China. Child Proof Cap for Pharmaceutical Plastic Bottle. 2018. <URL:https://jy-plastic-seal.en.made-in-china.com/product/mjxJdkBWniVK/China-20-410-Child-Proof-Cap-for-Pharmaceutical-Plastic-Bottle.html>. (Year: 2018).\*

\* cited by examiner

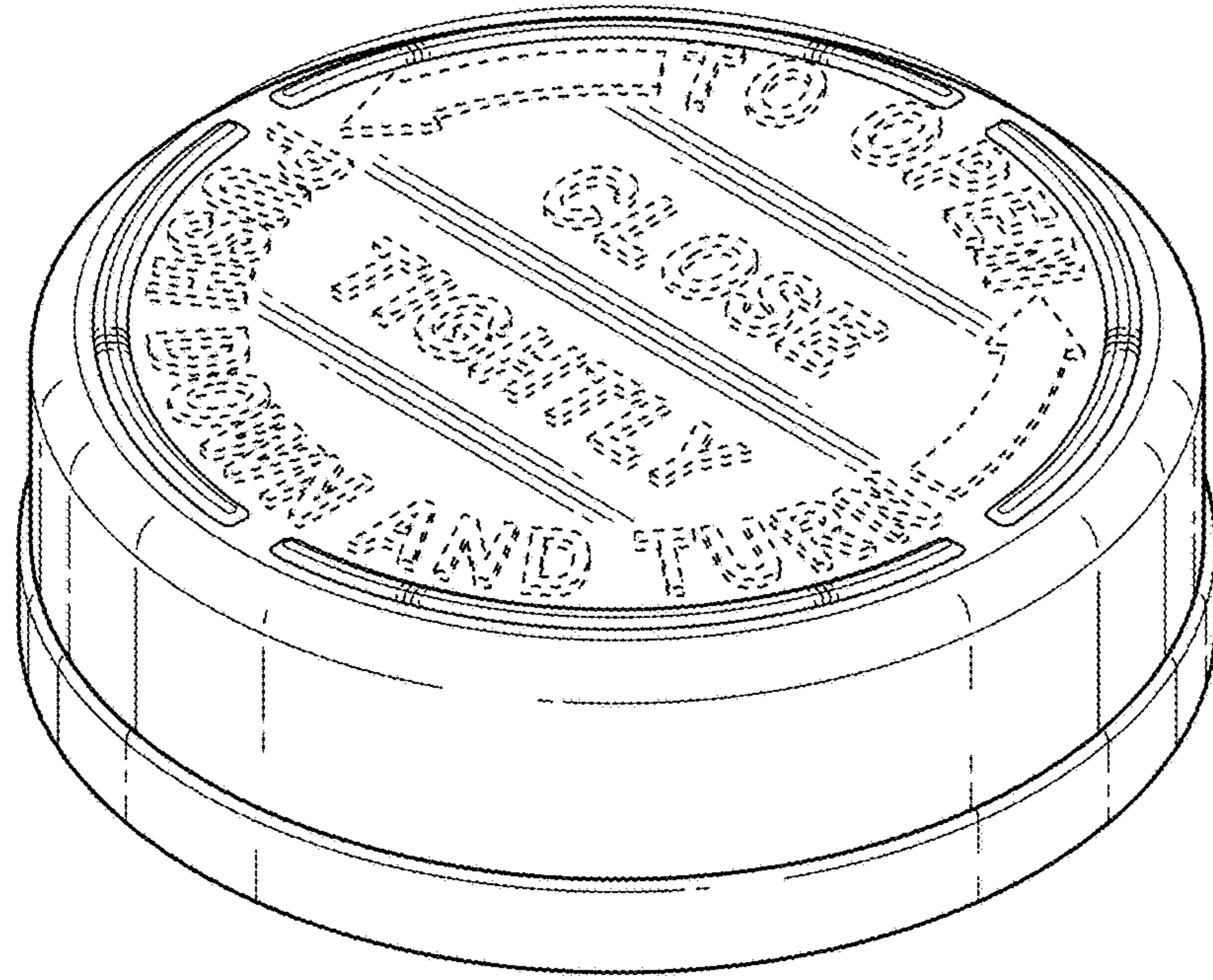
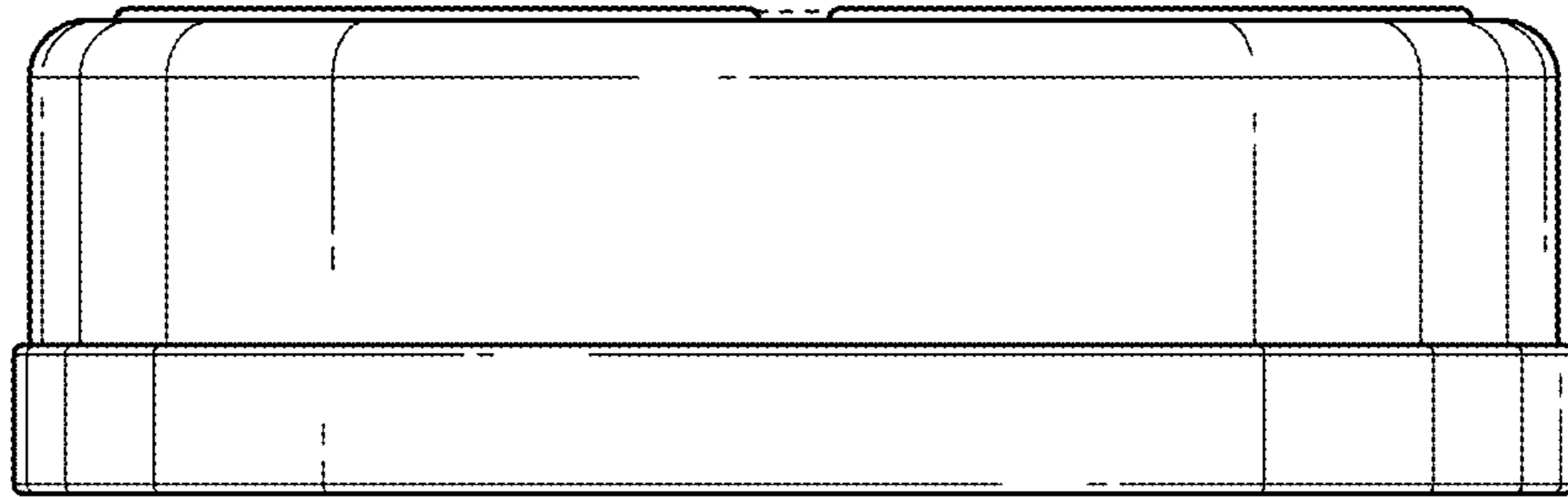


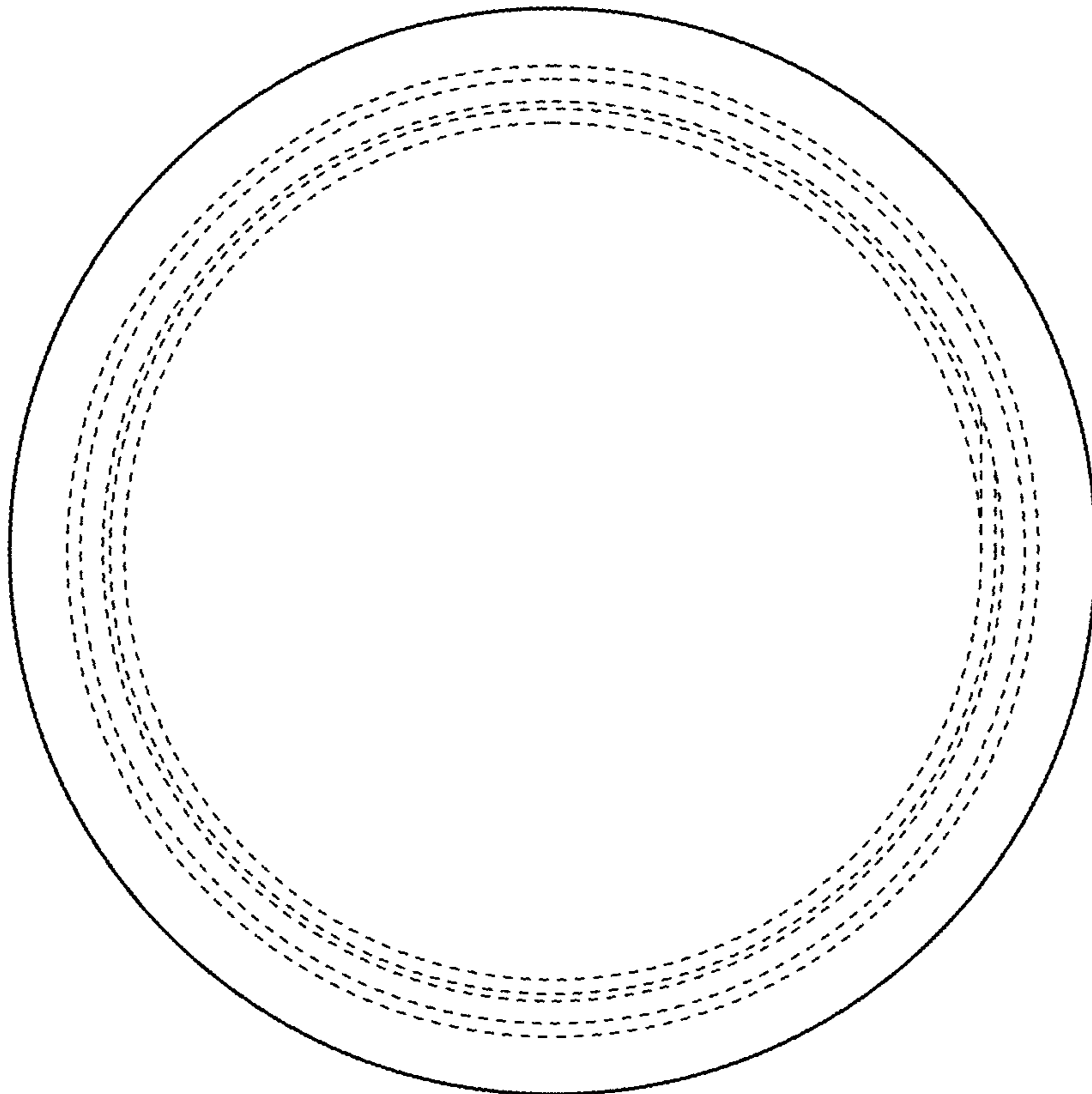
FIG. 1



FIG. 2



*FIG. 3*



*FIG. 4*

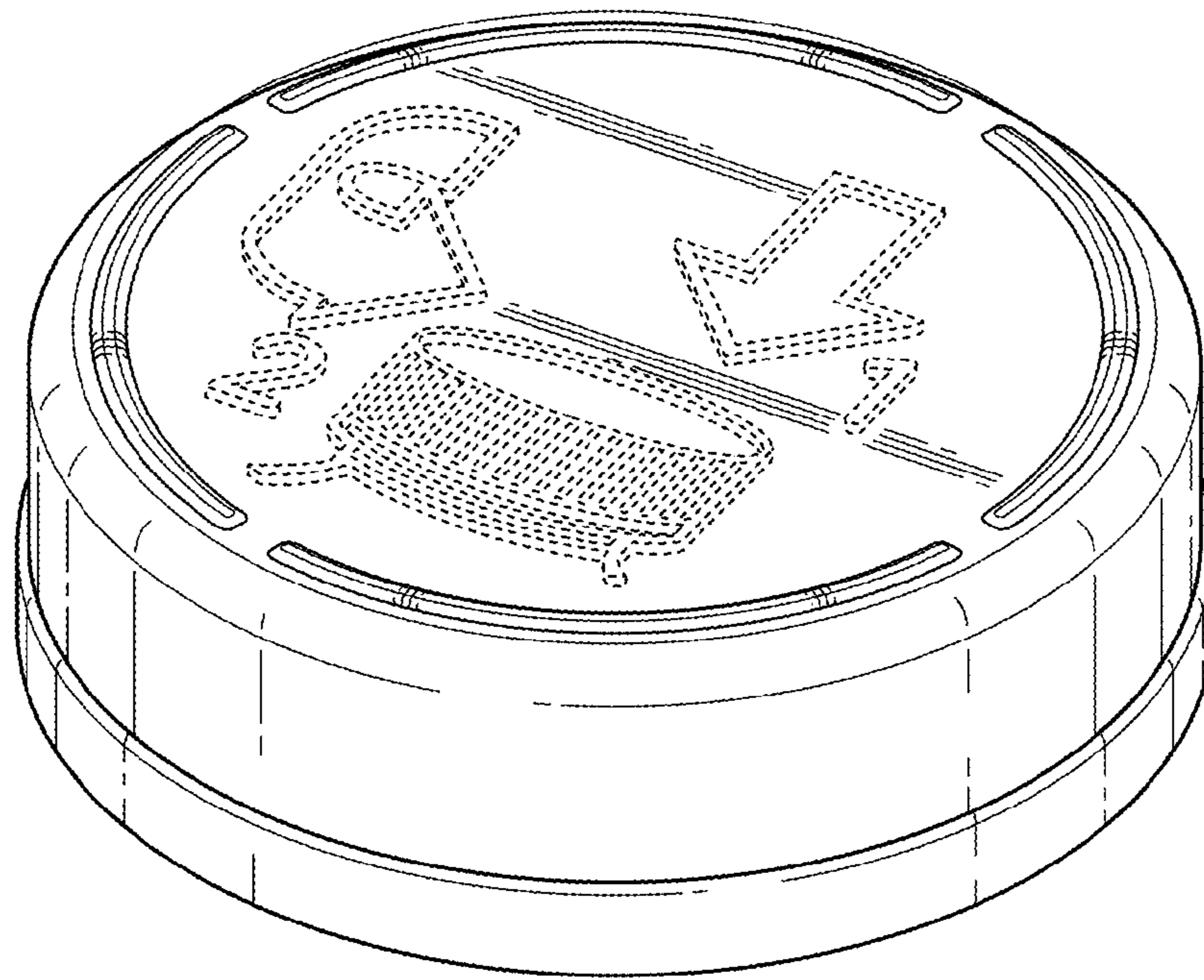


FIG. 5

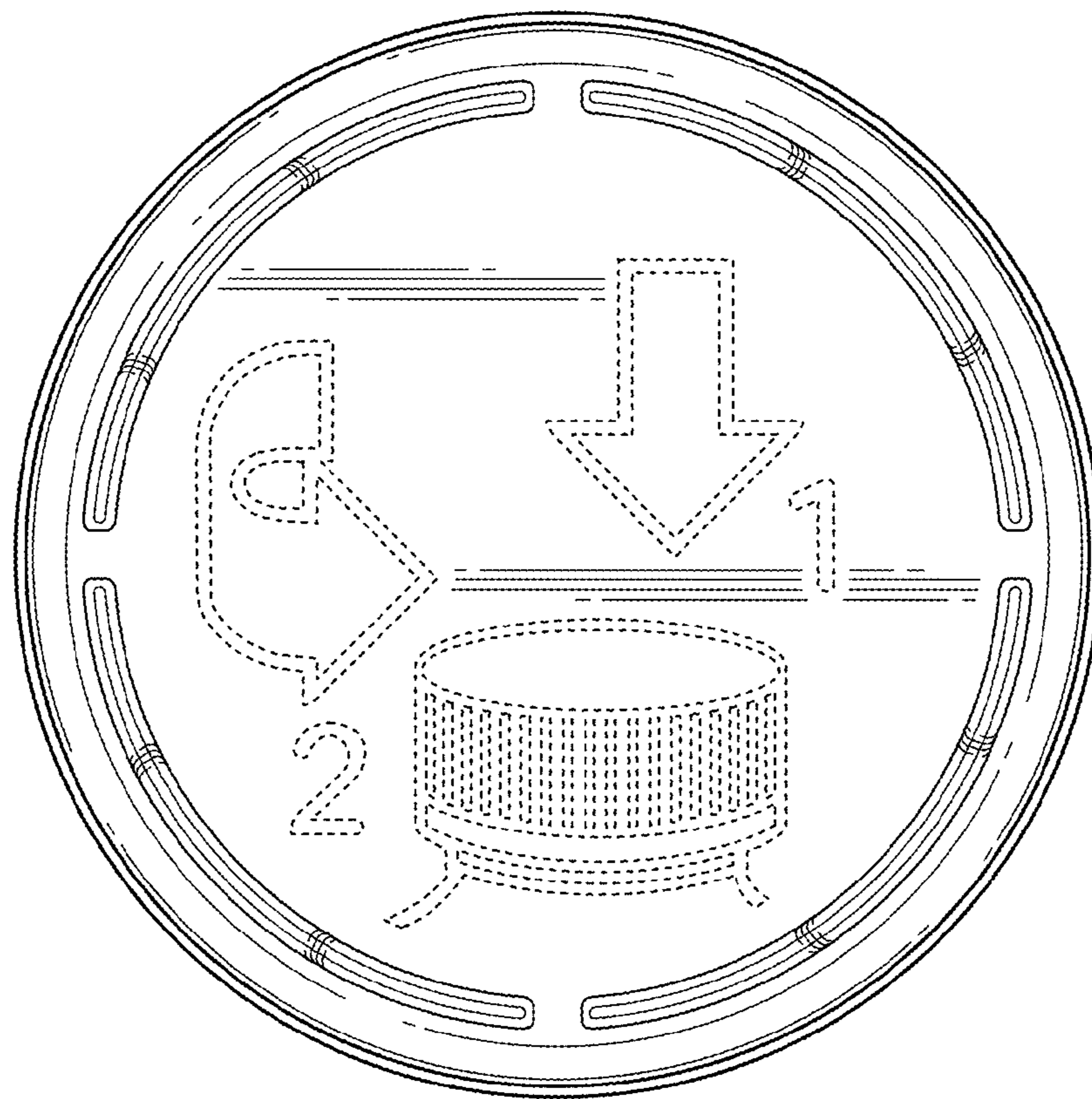


FIG. 6