



US00D854925S

(12) **United States Design Patent** (10) **Patent No.:** **US D854,925 S**
Fath (45) **Date of Patent:** **** Jul. 30, 2019**

(54) **DISPLAY PACKAGE**

(56) **References Cited**

(71) Applicant: **Altria Client Services LLC**,
Richmond, VA (US)

U.S. PATENT DOCUMENTS

(72) Inventor: **Scott A. Fath**, Richmond, VA (US)

D117,986 S 12/1939 Weiss
2,354,239 A 7/1944 Williamson
D147,120 S 7/1947 Dietrich
(Continued)

(73) Assignee: **ALTRIA CLIENT SERVICES LLC**,
Richmond, VA (US)

FOREIGN PATENT DOCUMENTS

(**) Term: **15 Years**

CN 1436145 A 8/2003
CN 1910084 A 2/2007
(Continued)

(21) Appl. No.: **29/644,638**

(22) Filed: **Apr. 19, 2018**

OTHER PUBLICATIONS

Related U.S. Application Data

Chinese Office Action issued May 9, 2018 in Chinese Application No. 201480024177.3, with an English translation.

(62) Division of application No. 29/546,678, filed on Nov. 24, 2015, now Pat. No. Des. 820,688, which is a division of application No. 29/489,278, filed on Apr. 29, 2014, now Pat. No. Des. 746,699, which is a division of application No. 29/450,130, filed on Mar. 15, 2013, now Pat. No. Des. 710,713.

(Continued)

Primary Examiner — Lauren R Calve

(51) **LOC (11) Cl.** **09-03**

(74) *Attorney, Agent, or Firm* — Harness, Dickey & Pierce, P.L.C.

(52) **U.S. Cl.**

(57) **CLAIM**

USPC **D9/418**

The ornamental design for a display package, as shown and described.

(58) **Field of Classification Search**

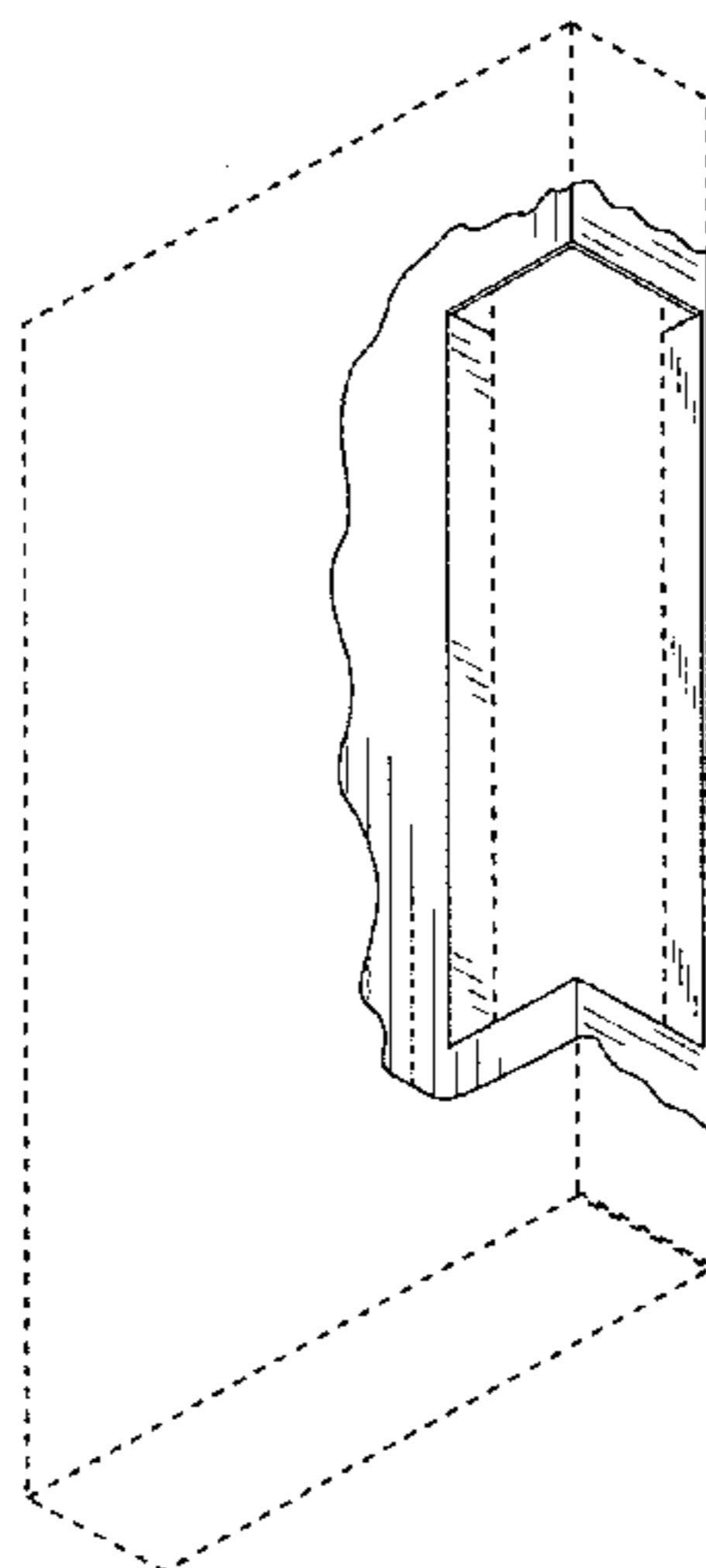
DESCRIPTION

USPC D9/414, 418, 430, 432, 433, 715, 721;
D3/302, 901; D28/73, 76, 77, 83, 85, 86;
229/93, 100, 120.36, 120.35, 123.2, 124,
229/162.1, 162.7, 247; 206/223, 235,
206/242, 245, 256, 257, 271, 273, 385,
206/569, 570, 581, 765, 769, 775, 776
CPC B65D 5/4204; B65D 85/1036; B65D
85/1081; B65D 85/12; B65D 85/10;
B65D 85/00; B65D 2571/0066; B65D
77/02; B65D 25/54; B65D 25/04; B65D
5/42; B65D 5/5038; B65D 5/5035; B65D
75/38; B65D 77/042; B65D 71/36; B65D
75/522; Y10T 428/1303

FIG. 1 is a perspective view of a display package showing my new design.
FIG. 2 is a front elevational view thereof.
FIG. 3 is a rear elevational view thereof.
FIG. 4 is a right side elevational view thereof.
FIG. 5 is a left side elevational view thereof.
FIG. 6 is a top plan view thereof; and,
FIG. 7 is a bottom plan view thereof.
The portions of the display package shown in broken lines in FIGS. 1-7 represent unclaimed subject matter and form no part of the claimed design.

See application file for complete search history.

1 Claim, 4 Drawing Sheets



(56)

References Cited

U.S. PATENT DOCUMENTS

2,464,951 A 3/1949 Stengren
 2,611,529 A 9/1952 Currivan
 2,727,620 A 12/1955 Buttery
 2,854,182 A 9/1958 Dodd
 2,913,101 A * 11/1959 Daily B65D 5/4204
 206/216
 2,937,743 A * 5/1960 Buttery B65D 5/5007
 206/277
 2,948,390 A 8/1960 Wagaman
 2,980,242 A 4/1961 Miller
 D190,772 S 6/1961 Cuyler
 3,029,934 A 4/1962 Hennessey
 3,033,357 A 5/1962 Brown
 3,054,505 A 9/1962 Hennessey
 3,206,098 A 9/1965 Stenger et al.
 3,233,726 A 2/1966 Gero
 3,298,504 A * 1/1967 Carter B65D 5/5007
 206/777
 3,326,444 A 6/1967 Farquhar et al.
 D218,212 S 7/1970 Pfrommer
 3,521,810 A 7/1970 Boyer
 3,659,704 A * 5/1972 Collura B65D 5/4208
 206/288
 3,767,037 A 10/1973 Anderson
 3,828,923 A 8/1974 Phillips, Jr.
 4,106,615 A 8/1978 Hiroshi
 4,109,786 A 8/1978 Roccaforte et al.
 4,125,185 A 11/1978 Bliss
 4,342,417 A 8/1982 Forbes, Jr.
 4,353,694 A 10/1982 Pelerin
 4,397,393 A * 8/1983 Pergande B65D 5/46088
 206/216
 4,487,311 A 12/1984 Lavery
 4,524,871 A 6/1985 Klinger
 D290,175 S 6/1987 Bakic
 4,848,563 A 7/1989 Robbins
 4,865,204 A 9/1989 Vance
 4,957,202 A * 9/1990 Yoshiki B65D 5/5007
 206/277
 D314,146 S 1/1991 Scholz
 D318,802 S 8/1991 Egide
 5,044,548 A 9/1991 Olsen et al.
 5,226,534 A 7/1993 Kim
 D353,712 S 12/1994 Aalders
 D371,959 S * 7/1996 Hupp D9/418
 5,848,690 A 12/1998 Granger et al.
 5,944,183 A 8/1999 Rowland et al.
 6,050,416 A 4/2000 Blin et al.
 6,244,501 B1 6/2001 Choi
 6,460,703 B1 10/2002 Thompson et al.
 D466,406 S 12/2002 Solland
 D466,804 S 12/2002 Solland
 6,491,211 B1 12/2002 Evans et al.
 D546,669 S 7/2007 Sheppard et al.
 D563,218 S 3/2008 DeMalsche et al.
 D576,871 S 9/2008 Sheppard et al.
 D577,286 S 9/2008 Sheppard et al.
 7,424,955 B2 9/2008 Chen
 D588,449 S 3/2009 Bova et al.
 D600,110 S 9/2009 Cain
 D601,009 S 9/2009 Shinn
 D602,637 S 10/2009 Helenowski
 7,650,997 B2 * 1/2010 Nago B65D 5/5014
 206/315.11
 D610,000 S 2/2010 Schantz
 D654,786 S 2/2012 Rye et al.
 8,191,707 B2 6/2012 McDonald et al.
 8,235,204 B2 8/2012 Loughman et al.
 D671,401 S * 11/2012 Grabes D9/418
 D679,950 S 4/2013 Cooper
 8,584,843 B2 11/2013 Hillard
 D699,103 S 2/2014 Rathbone et al.
 D699,562 S 2/2014 Klauder
 D700,049 S 2/2014 Athay

D702,546 S 4/2014 McAdam
 D710,713 S 8/2014 Fath
 D732,384 S 6/2015 Fath
 D734,145 S 7/2015 Fath et al.
 D735,572 S 8/2015 Fath et al.
 D738,716 S 9/2015 Nettenstrom et al.
 D743,248 S 11/2015 Fath et al.
 D746,699 S 1/2016 Fath
 D746,700 S 1/2016 Boehnen et al.
 D755,044 S 5/2016 Nettenstrom et al.
 D756,780 S 5/2016 Grove et al.
 D756,781 S 5/2016 Grove et al.
 9,527,643 B2 12/2016 Streich et al.
 D787,933 S 5/2017 Sill et al.
 D797,550 S * 9/2017 Fath D9/418
 D820,688 S * 6/2018 Fath D9/721
 2004/0182917 A1 9/2004 Watson
 2005/0045526 A1 * 3/2005 Constant B65D 5/5007
 206/769
 2005/0236282 A1 10/2005 Huska
 2007/0228130 A1 10/2007 Arai
 2011/0297559 A1 12/2011 Davis
 2012/0061290 A1 3/2012 Delaunay et al.
 2012/0227753 A1 9/2012 Newton
 2013/0001126 A1 1/2013 Gu et al.
 2013/0140200 A1 6/2013 Scatterday
 2013/0233743 A1 9/2013 Hillard
 2013/0342157 A1 12/2013 Liu
 2014/0097103 A1 4/2014 Cameron
 2014/0262871 A1 9/2014 Fath
 2015/0342252 A1 12/2015 Fath
 2016/0096658 A1 4/2016 Fath

FOREIGN PATENT DOCUMENTS

CN 201043070 Y 4/2008
 CN 101353092 A 1/2009
 CN 102232040 A 11/2011
 CN 203186741 U 9/2013
 CN 103619715 A 3/2014
 DE 4339645 A1 5/1995
 EP 0465257 A1 1/1992
 EP 1818266 A1 8/2007
 FR 021175-001 5/2002
 FR 065761-001 1/2010
 GB 2106366 8/2002
 RU 46078 S 9/1999
 RU 63280 S 7/2007
 WO WO-DM/072141 7/2009

OTHER PUBLICATIONS

Chinese Office Action issued May 3, 2018 in Chinese Application No. 201480024177.3, with an English translation.
 Office Action for corresponding U.S. Appl. No. 13/843,314 dated Oct. 17, 2018.
 Office Action for corresponding European Application No. 15756501.1 dated Oct. 11, 2018.
 Office Action for corresponding Chinese patent application CN201480024177.3, dated Jan. 23, 2017, with an English translation.
 Eurasian Office Action dated Jun. 20, 2018 in related Eurasian Application No. 201692441, with an English translation.
 Office Action for Canadian Application No. 153050 dated Oct. 1, 2014.
 Office Action for Canadian Application No. 157964 dated Oct. 1, 2014.
 Office Action for Canadian Application No. 157971 dated Oct. 1, 2014.
 Office Action for Canadian Application No. 157963 dated Oct. 1, 2014.
 Office Action for Japanese Application No. 2013-021322 dated Sep. 30, 2014.
 Russian Federation Office Action dated Mar. 23, 2015 issued in corresponding Russian Federation Application No. 2014501509.
 Website <http://alloy.ru> (Dec. 24, 2012).

(56)

References Cited

OTHER PUBLICATIONS

Russian Office Action dated Jul. 1, 2016 issued in corresponding Russian Application No. 2014501509.

U.S. Office Action dated Nov. 14, 2016 issued in corresponding U.S. Appl. No. 14/725,556.

U.S. Office Action dated Nov. 16, 2016 issued in corresponding U.S. Appl. No. 29/541,752.

U.S. Office Action dated Dec. 2, 2016 issued in corresponding U.S. Appl. No. 14/872,786.

International Preliminary Report on Patentability and Written Opinion dated Nov. 29, 2016 issued in corresponding International Application No. PCT/US2015/033253.

European Office Communication (Intention to Grant) dated Dec. 21, 2016 issued in corresponding European Application No. 14713355.7.

HackYa. Philip Morris' Mark 10 Review. Apr. 24, 2014 [earliest online date], [site visited Oct. 19, 2016]. Available from Internet, <URL:<http://hackya.com/us/philip-morris-mark-ten-review/>>.

Office Action dated Mar. 9, 2017 in related U.S. Appl. No. 29/541,752.

Office Action dated Mar. 31, 2017 in related U.S. Appl. No. 14/872,786.

Office Action dated Mar. 22, 2017 in related U.S. Appl. No. 13/843,314.

Final Office Action dated Mar. 30, 2017 in related U.S. Appl. No. 14/725,556.

International Preliminary Report on Patentability dated Apr. 4, 2017, in related PCT/US2015/053518.

U.S. Office Action dated May 26, 2017 in related U.S. Appl. No. 14/725,556.

U.S. Office Action dated Aug. 31, 2017 in related U.S. Appl. No. 13/843,314.

U.S. Office Action dated Sep. 21, 2017 in related U.S. Appl. No. 14/872,786.

Office Action for corresponding Chinese Application No. 20140024117.3 dated Oct. 17, 2017 and English translation thereof.

U.S. Office Action dated Nov. 8, 2017 in related U.S. Appl. No. 14/725,556.

European Examination Report dated Jan. 12, 2018 in European Application No. 15756501.1.

U.S. Office Action dated Mar. 15, 2018 in related U.S. Appl. No. 13/843,314.

Russian Search Report dated Feb. 26, 2018 in Russian Application No. 2015144319/12(068246).

Russian Decision to Grant issued Feb. 28, 2018 in Russian Application No. 2015144319/12(068246).

International Search Report and Written Opinion from corresponding International Application PCT/US2015/053518, dated Feb. 2, 2016.

Written Opinion by the International Searching Authority in corresponding International Application PCT/US2014/022719, dated Jun. 12, 2014.

International Search Report and Written Opinion from corresponding International Application PCT/US2015/033253, dated Oct. 21, 2015.

Notification of Transmittal of International Preliminary Report on Patentability issued in corresponding International Application No. PCT/US2014/022719, dated Sep. 24, 2015.

U.S. Office Action dated Jan. 9, 2019 in related U.S. Appl. No. 13/843,314.

Chinese Decision on Rejection dated Dec. 29, 2018 in corresponding Chinese Application No. 201480024177.3, with an English translation.

Malaysian Office Action dated Nov. 15, 2018 in corresponding Malaysian Application No. PI 2015002388.

Chinese Office Action dated Jan. 23, 2019 in corresponding Chinese Application No. 201580028674.5, with an English language translation.

* cited by examiner

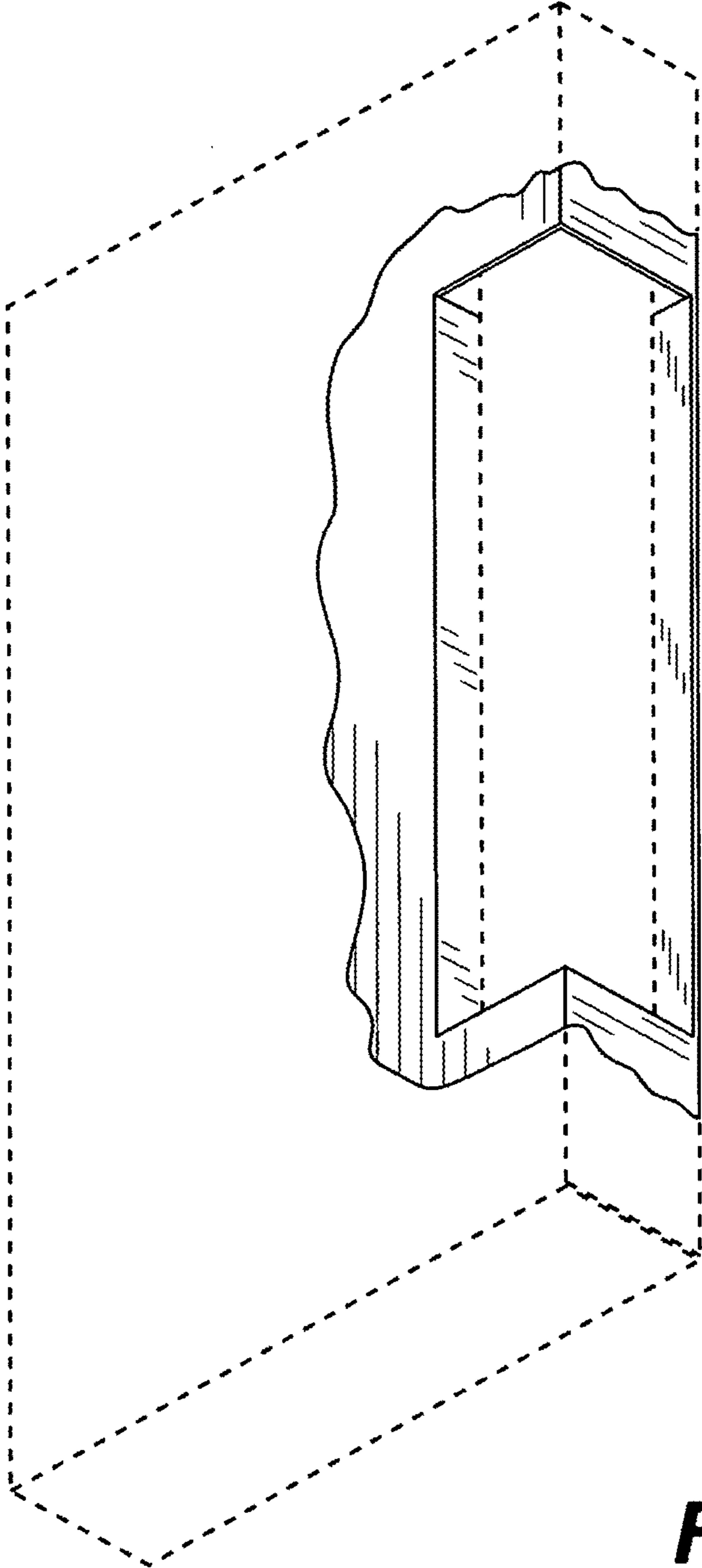


FIG. 1

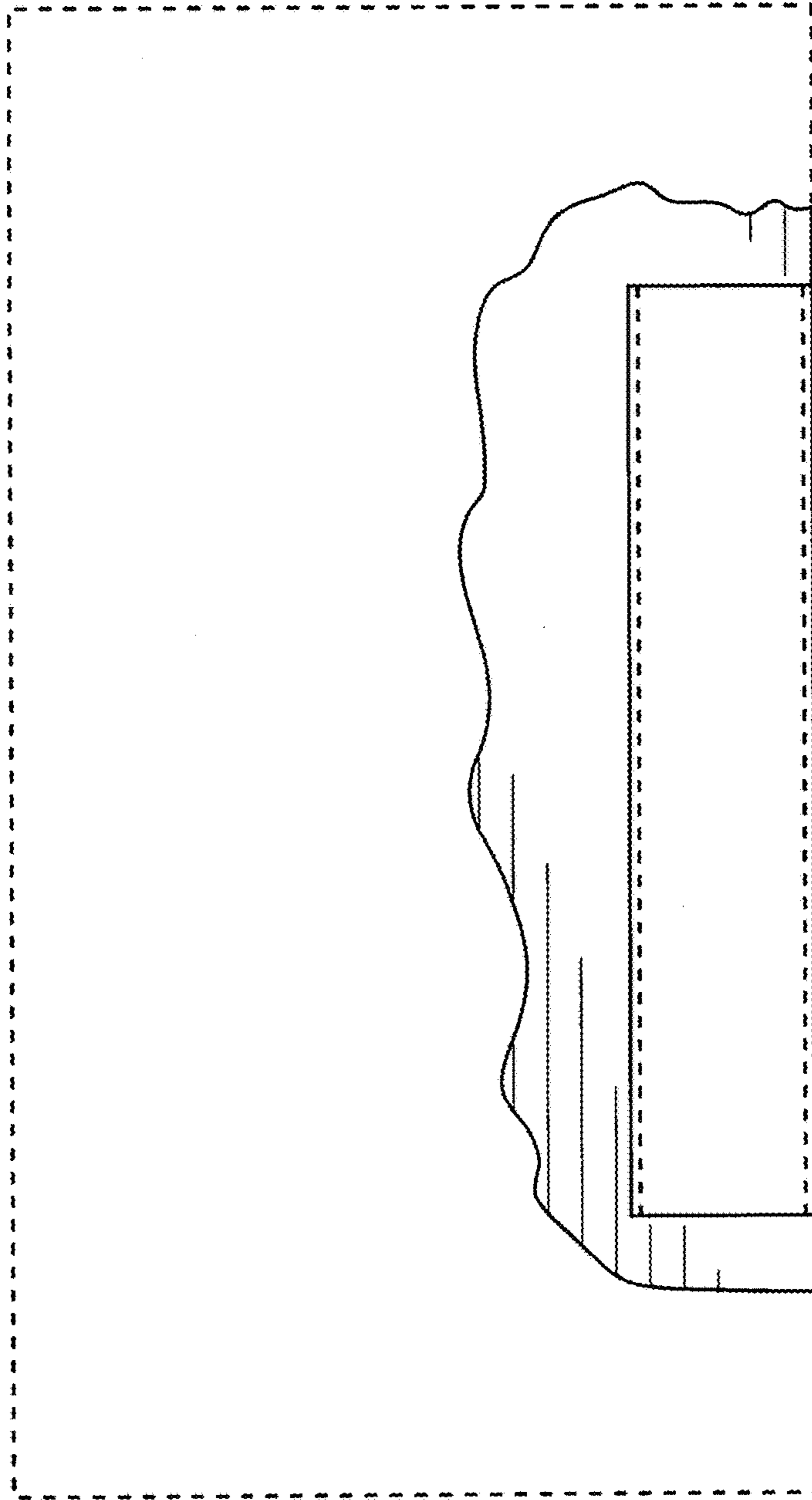


FIG. 2

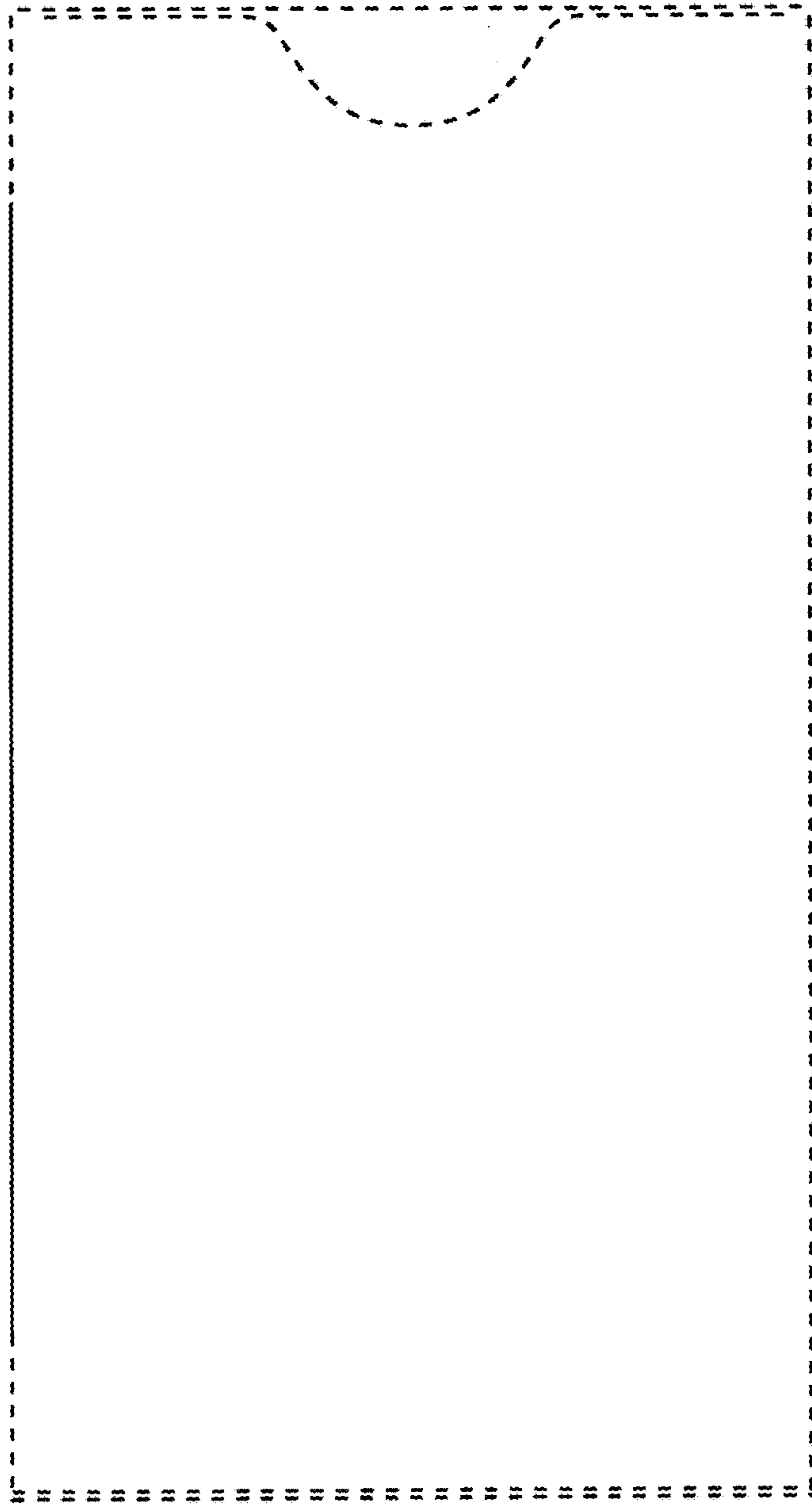


FIG. 3

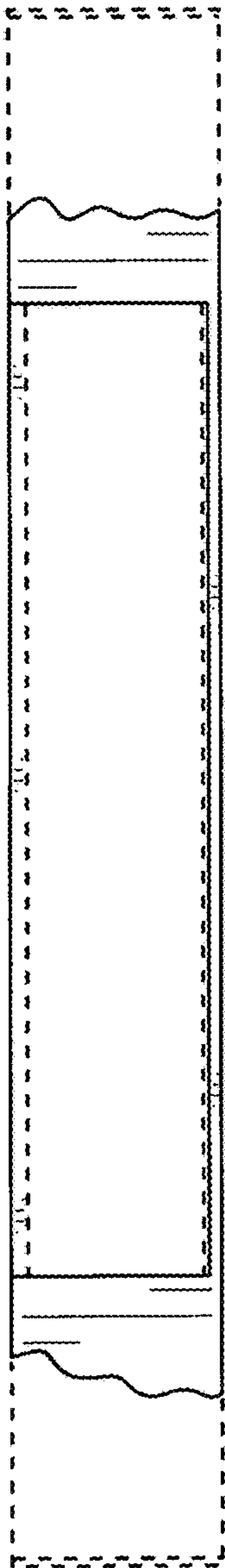


FIG. 4

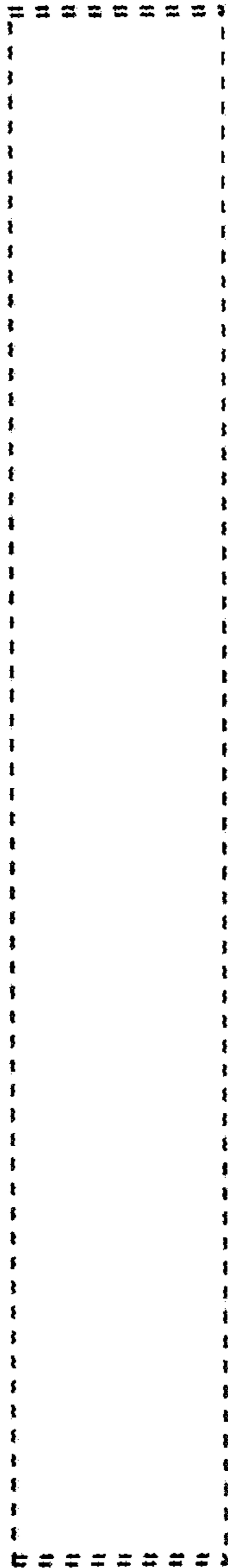


FIG. 5

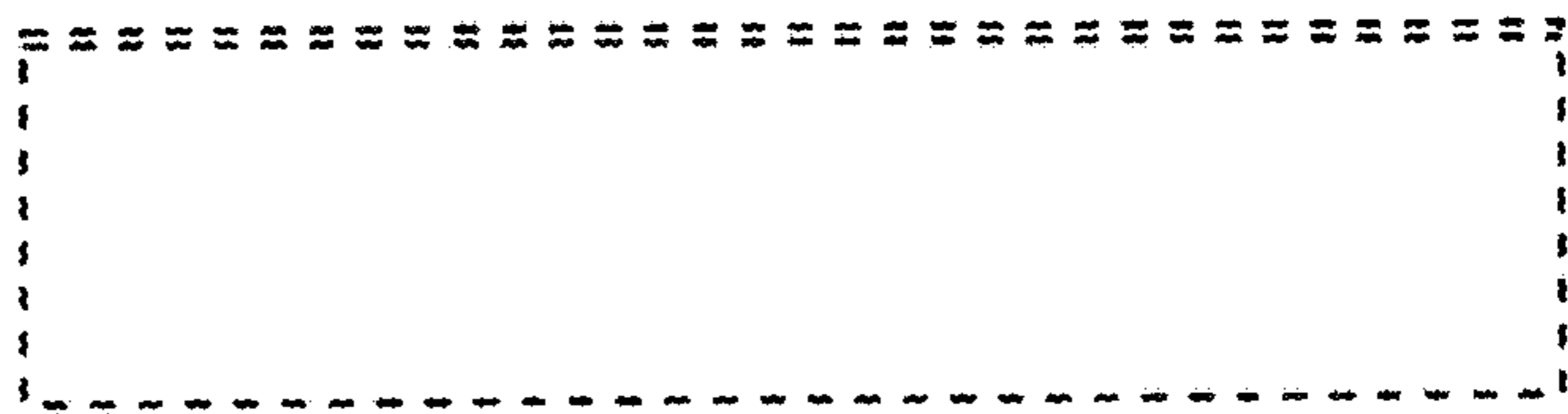


FIG. 6



FIG. 7