



US00D854923S

(12) **United States Design Patent**  
**Denham**

(10) **Patent No.:** **US D854,923 S**

(45) **Date of Patent:** **\*\* Jul. 30, 2019**

- (54) **BOX**
- (71) Applicant: **James Spencer Denham**, Singapore (SG)
- (72) Inventor: **James Spencer Denham**, Singapore (SG)
- (\*\*) Term: **15 Years**
- (21) Appl. No.: **29/680,047**
- (22) Filed: **Feb. 13, 2019**
- (51) **LOC (11) Cl.** ..... **09-03**
- (52) **U.S. Cl.**  
USPC ..... **D9/414**
- (58) **Field of Classification Search**  
USPC ..... D9/414-420, 600, 756, 737, 424, 425, D9/432, 456; D3/294, 295, 302, 309, D3/318, 282, 297, 203.6; D6/672, 664.1; D19/77, 92, 75; D28/77, 83, 73  
CPC ..... B65D 85/34; B65D 25/04; B65D 1/38; A01K 97/06  
See application file for complete search history.

- D577,233 S \* 9/2008 Greiner ..... D6/664.1
- D612,894 S \* 3/2010 Evans ..... D21/392
- D628,070 S \* 11/2010 Ma ..... D9/456
- D638,217 S 5/2011 Corinna et al.
- D664,767 S 8/2012 Shewmaker
- D679,908 S 4/2013 Hurt et al.
- D685,578 S \* 7/2013 Pestell ..... D3/294
- D714,637 S \* 10/2014 Cooper ..... D9/424
- D720,680 S 1/2015 Vitoorapakorn et al.
- D720,930 S \* 1/2015 Neuhaus ..... D3/295
- D731,325 S \* 6/2015 Loessin ..... D9/737
- D741,625 S \* 10/2015 Tapper ..... D6/672
- D744,239 S \* 12/2015 Reinhart ..... D3/302
- D756,561 S \* 5/2016 Ghiotti ..... D27/186
- D758,851 S \* 6/2016 Binder ..... D9/432
- D759,479 S \* 6/2016 Das ..... D9/425
- D779,879 S \* 2/2017 Walker ..... D19/77

(Continued)

*Primary Examiner* — Rhea Shields

(74) *Attorney, Agent, or Firm* — KA Filing LLC; Wayne V. Harper

(57) **CLAIM**

We claim the ornamental design for a box, as shown and described.

**DESCRIPTION**

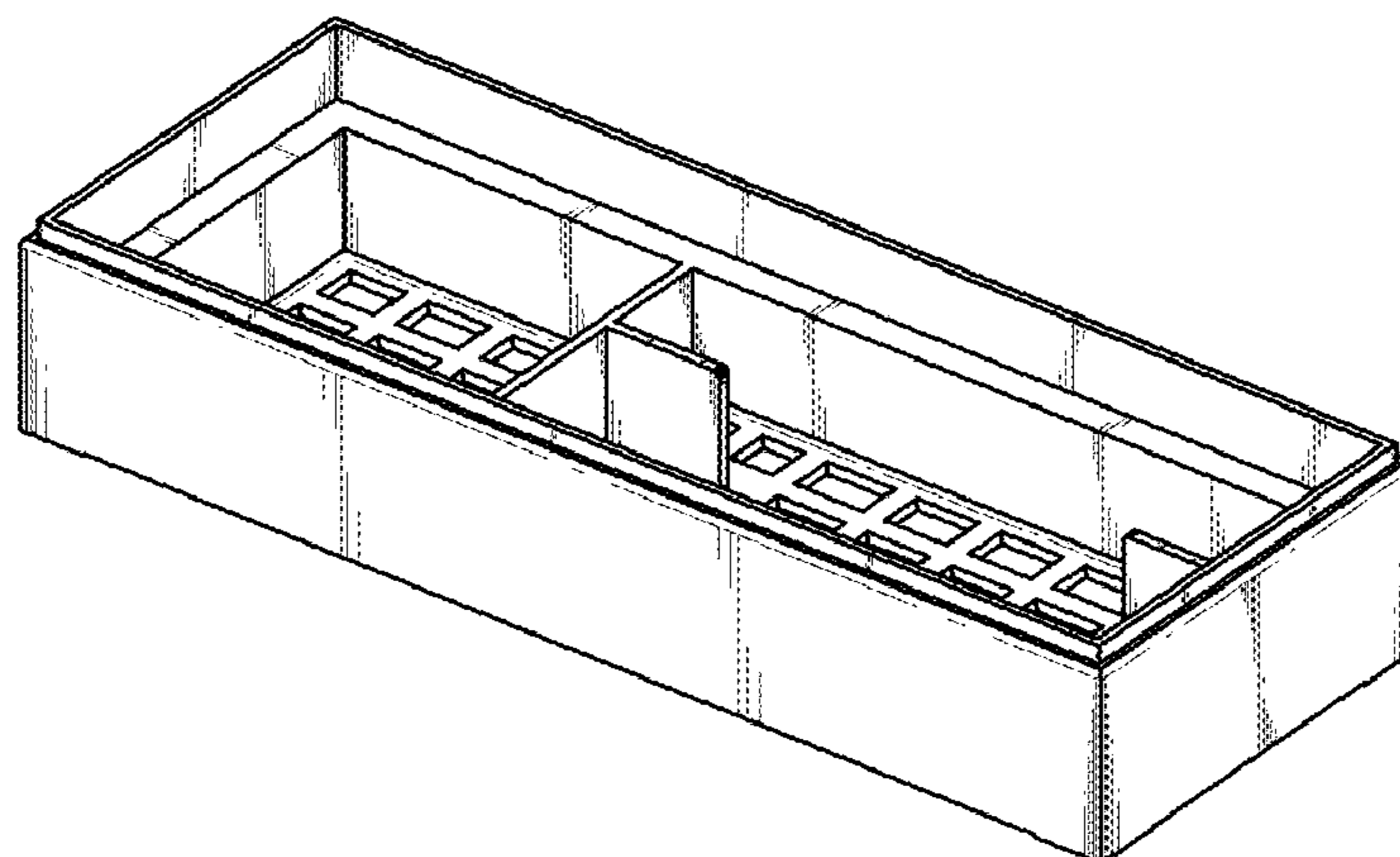
FIG. 1 is a Perspective view of a box showing my new design;  
 FIG. 2 is other perspective view of the box as shown in FIG. 1;  
 FIG. 3 is yet other perspective view of the box as shown in FIG. 1;  
 FIG. 4 is a top view of the box as shown in FIG. 1;  
 FIG. 5 is a bottom view of the box as shown in FIG. 1;  
 FIG. 6 is a front view of the box as shown in FIG. 1;  
 FIG. 7 is a back view of the box as shown in FIG. 1;  
 FIG. 8 is a left-side view of the box as shown in FIG. 1; and,  
 FIG. 9 is a right-side view of the box as shown in FIG. 1.

**1 Claim, 6 Drawing Sheets**

(56) **References Cited**

U.S. PATENT DOCUMENTS

- D165,610 S \* 1/1952 Sandberg ..... D32/55
- D300,183 S 3/1989 Minneman
- 4,981,232 A \* 1/1991 Wynn ..... B65D 25/04  
206/561
- D349,091 S 7/1994 Dickinson
- D363,509 S \* 10/1995 Parekh ..... D19/75
- 5,465,901 A \* 11/1995 Paine, Jr. .... B65D 1/38  
220/4.23
- D395,755 S \* 7/1998 Hulin ..... D28/73
- D459,223 S 6/2002 Lai
- D479,630 S \* 9/2003 Lai ..... D28/83
- D479,895 S \* 9/2003 Lai ..... D28/83
- D485,018 S \* 1/2004 Beilman ..... D28/77
- D521,563 S \* 5/2006 Birth ..... D19/92



(56)

**References Cited**

U.S. PATENT DOCUMENTS

D789,750 S \* 6/2017 Noe ..... D7/600.1  
D797,452 S \* 9/2017 Schartle ..... D3/309  
9,750,236 B1 \* 9/2017 Diaz ..... A01K 97/06  
D806,534 S \* 1/2018 Chou ..... D9/425  
D817,783 S \* 5/2018 Chang ..... D9/756  
D820,330 S \* 6/2018 Di Monte, Sr. .... D15/140  
D824,777 S \* 8/2018 Arnett, Jr. .... B65D 85/34  
D9/600  
D830,061 S \* 10/2018 Peleg ..... D3/318  
D831,479 S \* 10/2018 Lylyk ..... D9/432  
D832,697 S \* 11/2018 Adams, III ..... D9/425  
D833,734 S \* 11/2018 Binder ..... D3/203.6  
D839,751 S \* 2/2019 Troudt ..... D9/737  
D841,982 S \* 3/2019 Kogel ..... D3/282  
D841,983 S \* 3/2019 Wang ..... D3/295  
D843,724 S \* 3/2019 Drendel ..... D3/297  
2012/0118901 A1 \* 5/2012 West ..... B65D 1/38  
220/676

\* cited by examiner

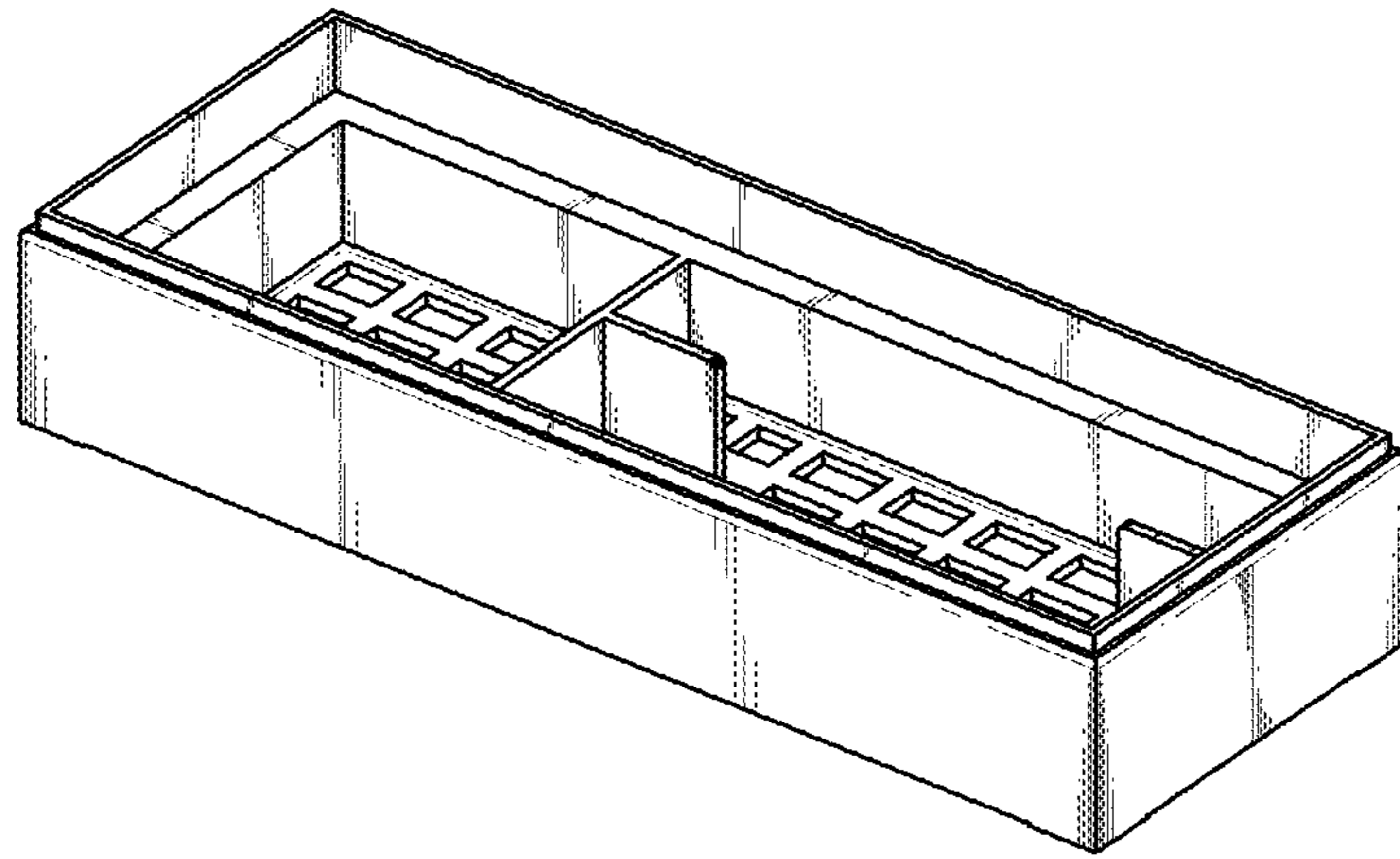


FIG. 1

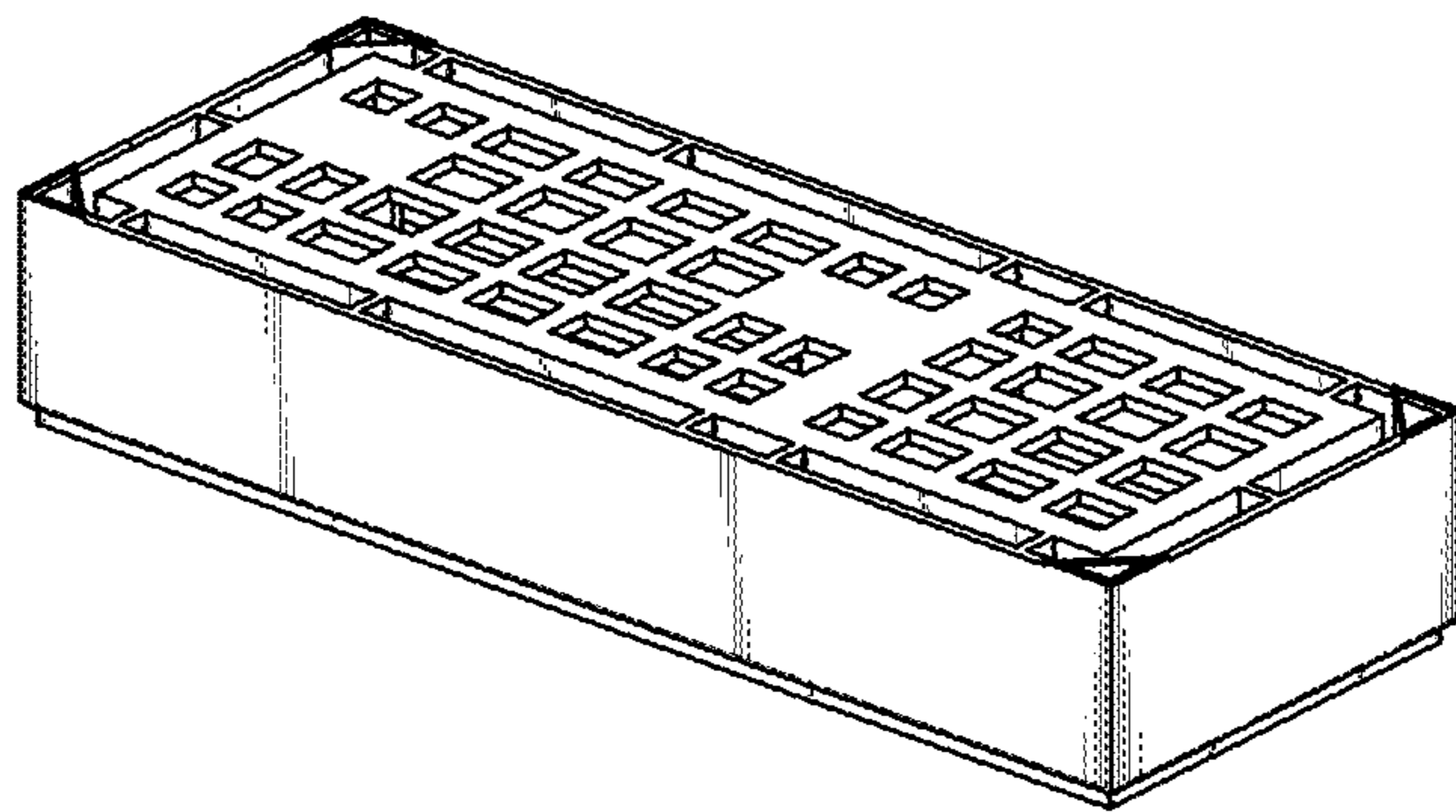


FIG. 2

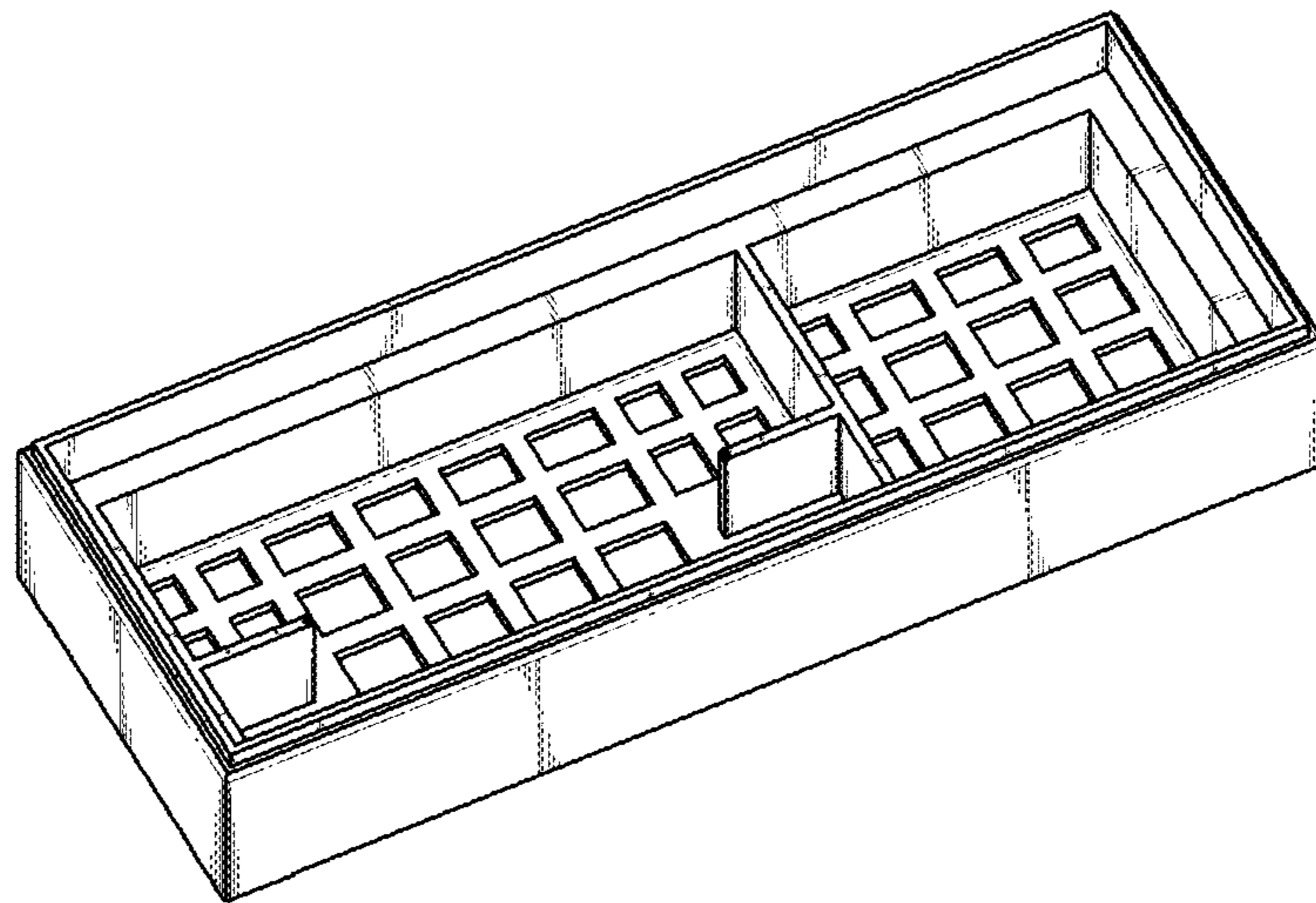


FIG. 3

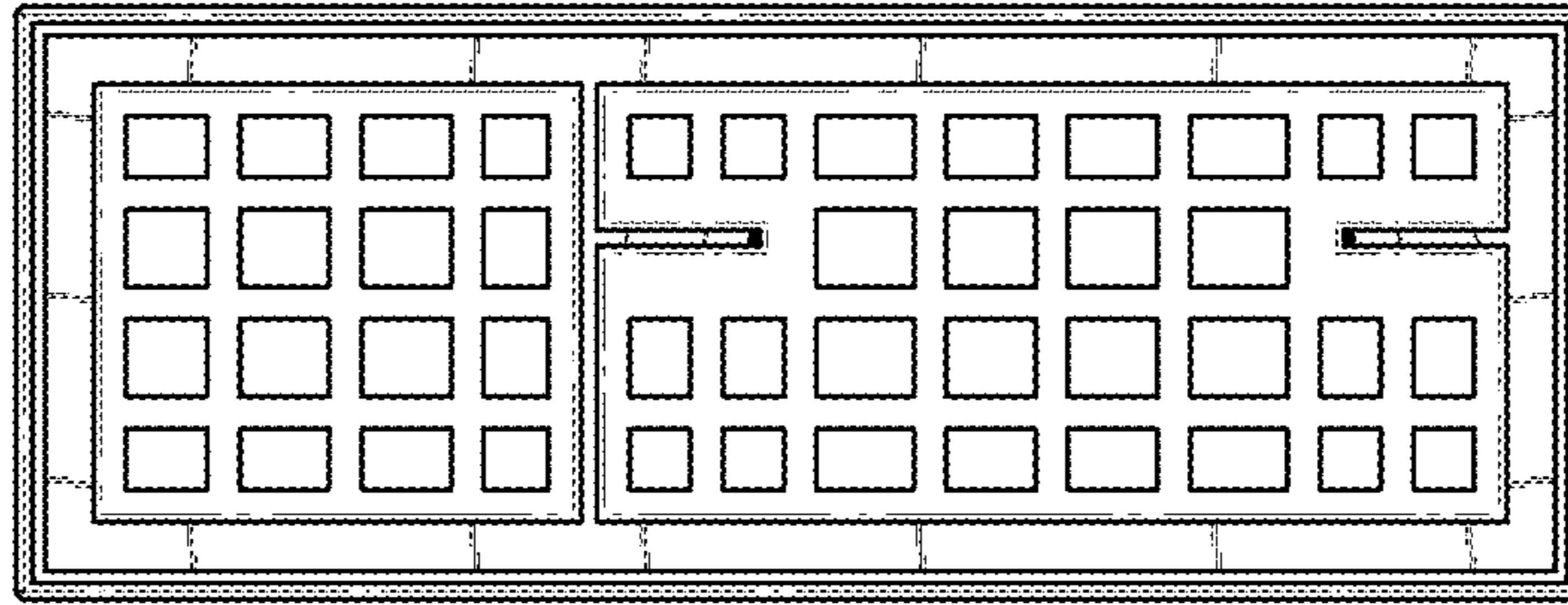


FIG. 4

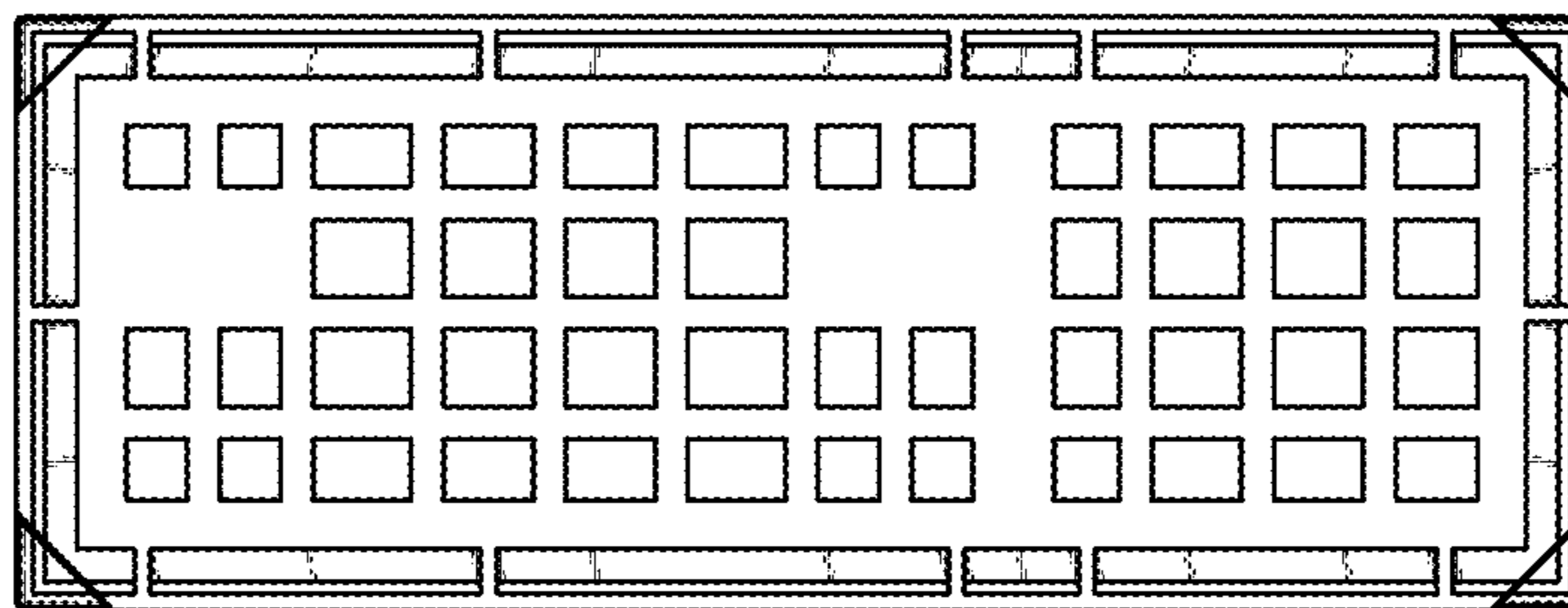


FIG. 5

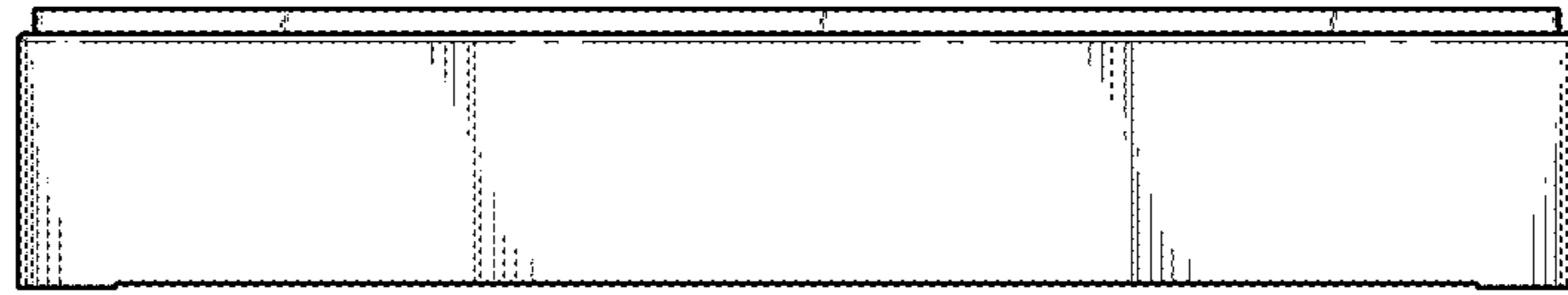


FIG. 6

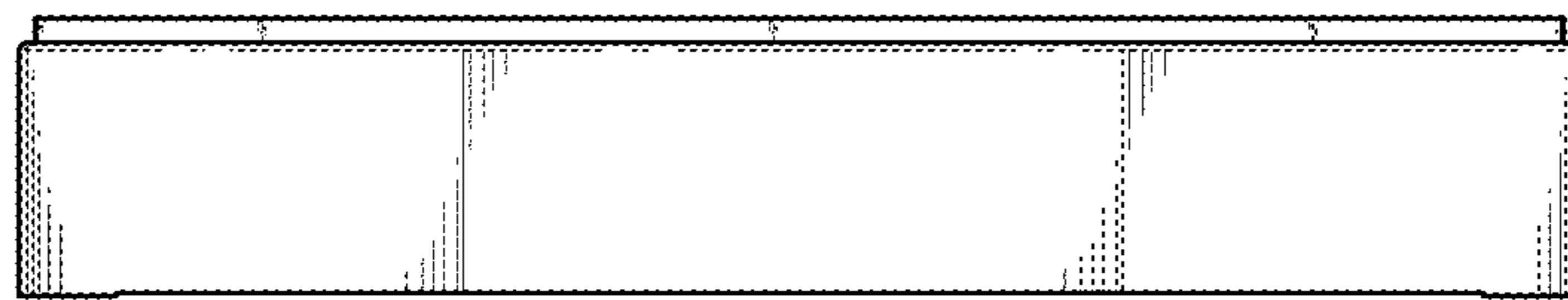


FIG. 7

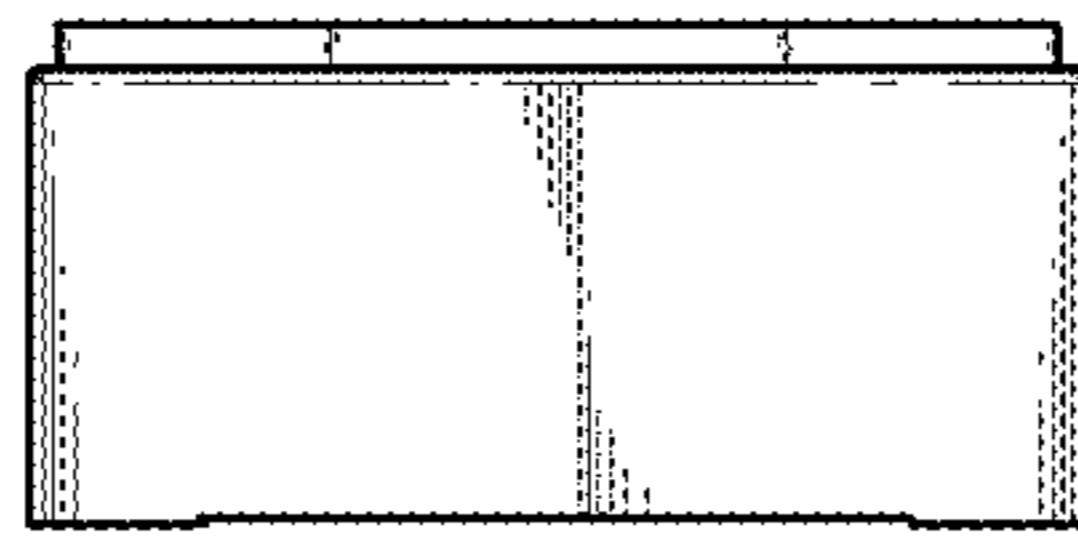


FIG. 8

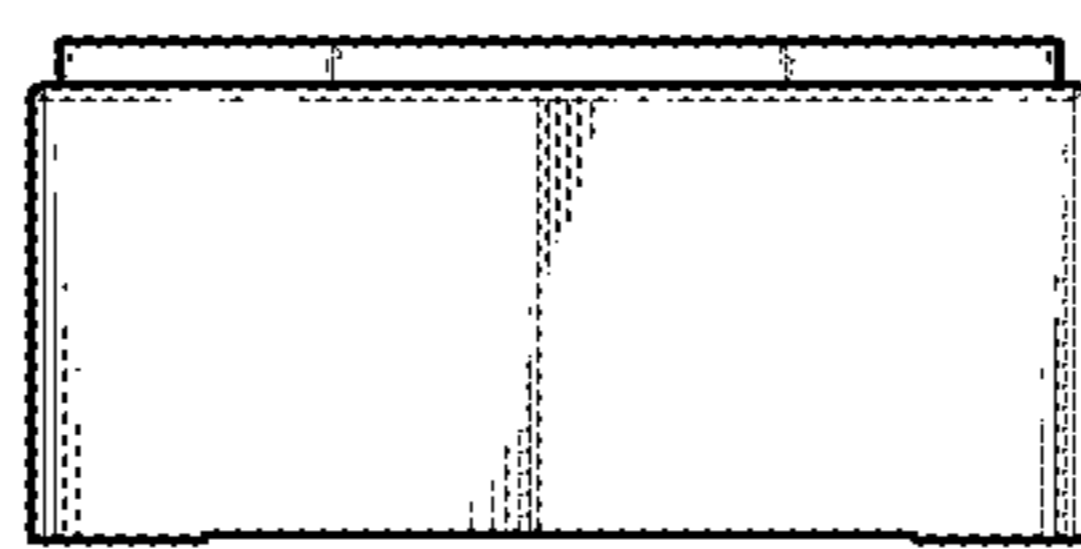


FIG. 9