



US00D854921S

(12) **United States Design Patent** (10) **Patent No.:** **US D854,921 S**
Fisher (45) **Date of Patent:** **** Jul. 30, 2019**

(54) **HELICAL ANCHOR**
(71) Applicant: **Gripple Limited**, Sheffield (GB)
(72) Inventor: **Thomas Fisher**, Sheffield (GB)
(73) Assignee: **GRIPPLE LIMITED** (GB)
(**) Term: **15 Years**
(21) Appl. No.: **29/640,132**
(22) Filed: **Mar. 12, 2018**
(30) **Foreign Application Priority Data**
Sep. 12, 2017 (EM) 004342517-0003
(51) **LOC (11) Cl.** **08-08**
(52) **U.S. Cl.**
USPC **D8/387; D8/385**
(58) **Field of Classification Search**
USPC D8/385, 387, 388
CPC F16B 13/002; F16B 13/00; F16B 23/0084;
F16B 25/10; F16B 25/106; F16B 25/103;
F16B 25/0057; F16B 25/0015; F16B
33/002; F16B 35/00; F16B 35/06; F16B
37/127
See application file for complete search history.

4,756,653 A * 7/1988 Berger F16B 23/0038
411/386
5,059,077 A * 10/1991 Schmid A47G 1/20
248/217.4
5,358,209 A * 10/1994 Ward E04H 12/2223
248/530
D378,052 S * 2/1997 Perreault D8/387
5,630,688 A * 5/1997 Tran F16B 13/002
411/31
5,741,099 A * 4/1998 Aasgaard B21J 15/048
29/525.06
D629,431 S * 12/2010 Vincent D15/139
D633,379 S * 3/2011 Chambers D8/387
D642,900 S * 8/2011 McDuff D8/385
8,114,099 B2 * 2/2012 Shipp A61B 17/0644
606/151
D738,199 S * 9/2015 Daniels D8/387
9,351,728 B2 * 5/2016 Sniffin A61B 17/064
9,885,378 B2 * 2/2018 DeClark F16B 13/08

(Continued)

Primary Examiner — Sandra S Snapp
Assistant Examiner — Ieisha N Price
(74) *Attorney, Agent, or Firm* — James R. Foley; Clark Hill PLC

(57) **CLAIM**

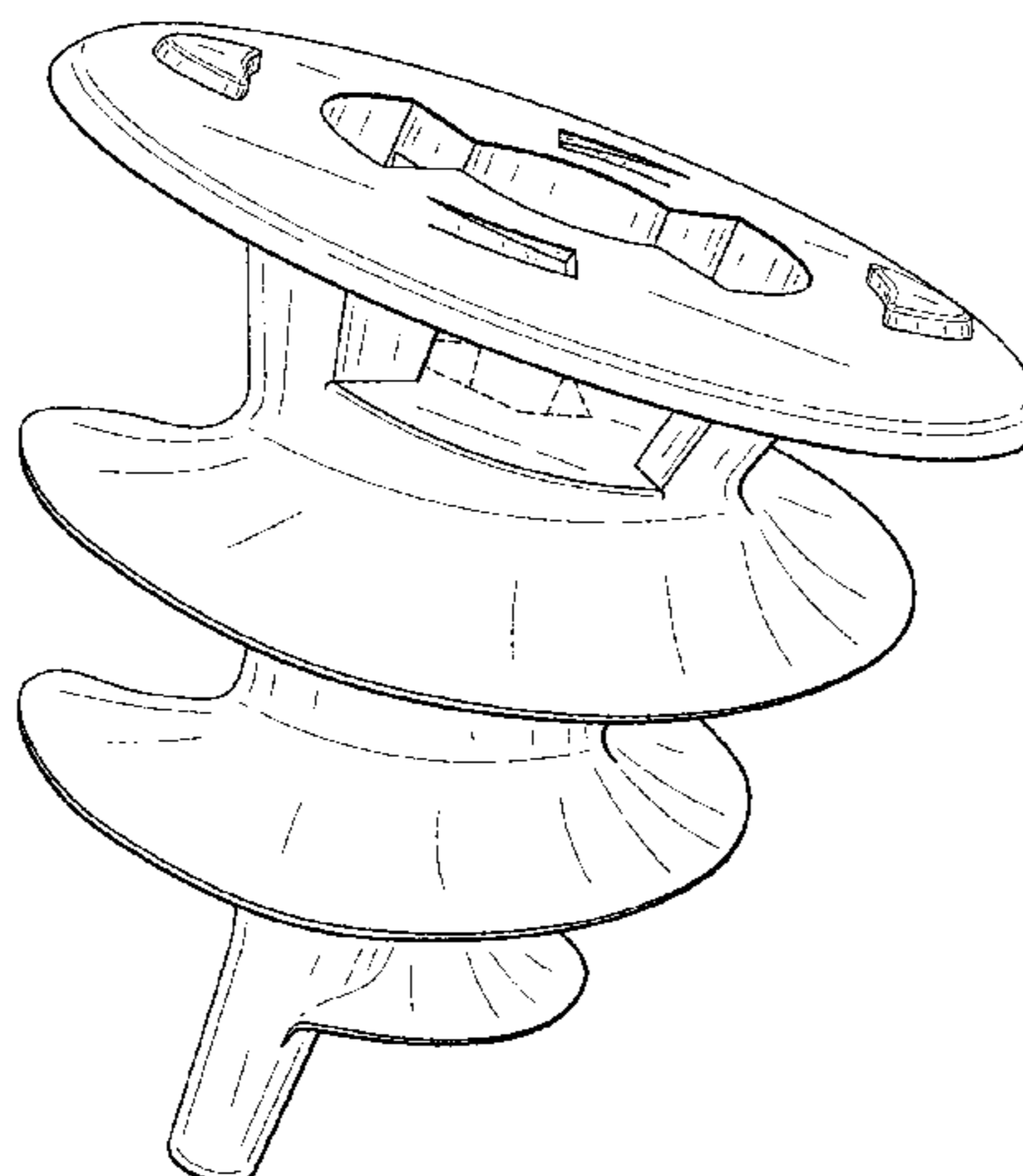
The ornamental design of a helical anchor, as shown and described.

DESCRIPTION

FIG. 1 is a perspective view of the helical anchor;
FIG. 2 is a front view thereof;
FIG. 3 is a back view thereof;
FIG. 4 is a top view thereof;
FIG. 5 is a bottom view thereof;
FIG. 6 is a right side view thereof; and,
FIG. 7 is a left side view thereof.
The broken lines in the drawings illustrate portions of the helical anchor and form no part of the claimed design.

1 Claim, 6 Drawing Sheets

(56) **References Cited**
U.S. PATENT DOCUMENTS
1,825,419 A * 9/1931 Plym F16B 33/02
411/411
1,897,196 A * 2/1933 Hunt F16B 23/0084
411/389
2,437,381 A * 3/1948 Cullen A01N 1/00
27/21.1
2,850,788 A * 9/1958 Rypysc A01N 1/02
27/21.1
2,942,323 A * 6/1960 Strickland A01N 1/02
27/21.1



(56)

References Cited

U.S. PATENT DOCUMENTS

2002/0131841 A1* 9/2002 Berry F16B 5/123
411/386
2003/0007845 A1* 1/2003 Gens F16B 25/00
411/411
2004/0204723 A1* 10/2004 Kayan A61B 17/064
606/151
2005/0171562 A1* 8/2005 Criscuolo A61B 17/064
606/151
2007/0038220 A1* 2/2007 Shipp A61B 17/064
606/326
2011/0318138 A1* 12/2011 Anderson B43M 15/00
411/403
2015/0117980 A1* 4/2015 Anderson F16B 21/02
411/500
2016/0316846 A1* 11/2016 Salvetti A42B 3/125
2017/0343025 A1* 11/2017 Daykin F16B 13/002

* cited by examiner

FIG. 1

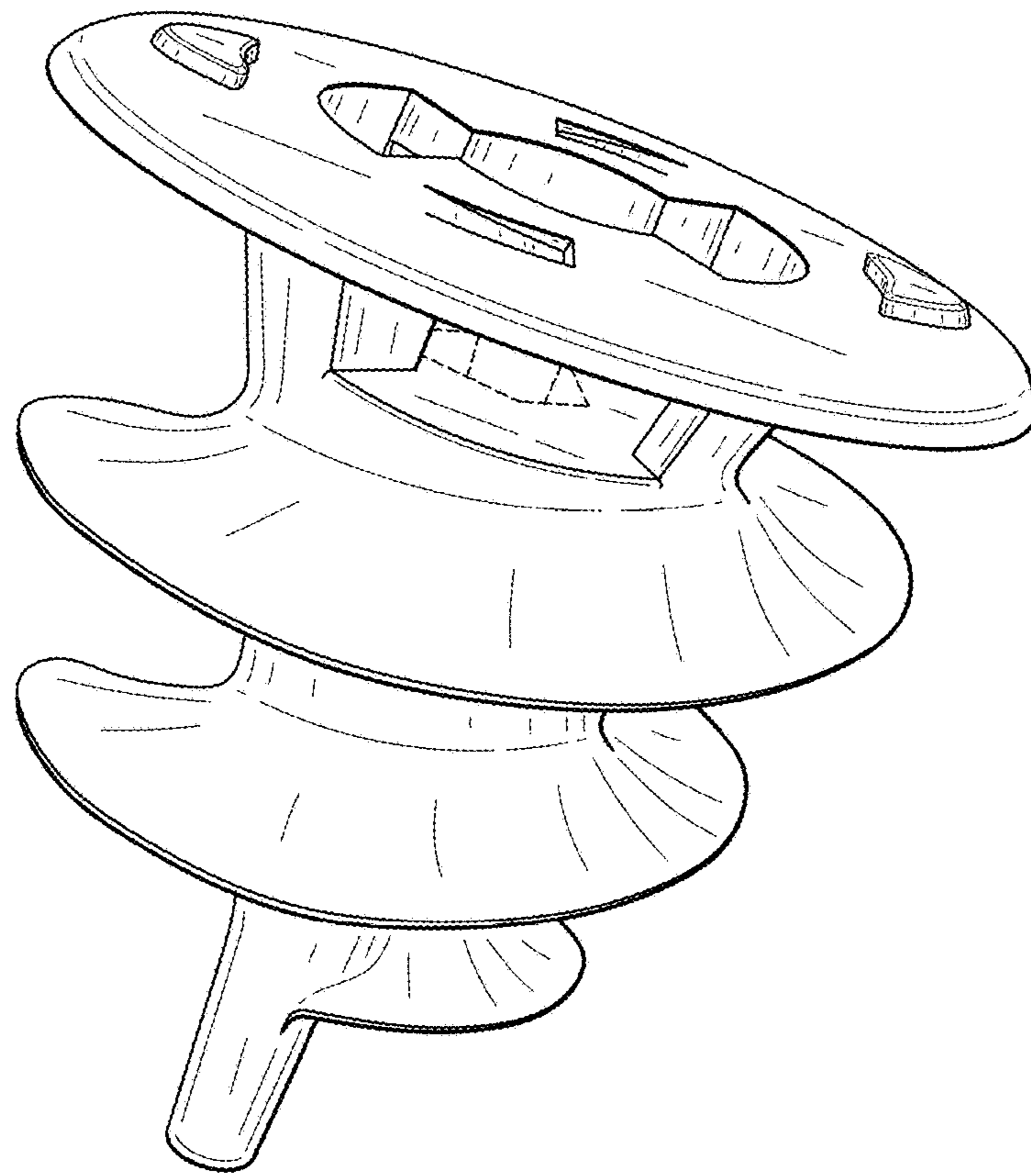


FIG. 2

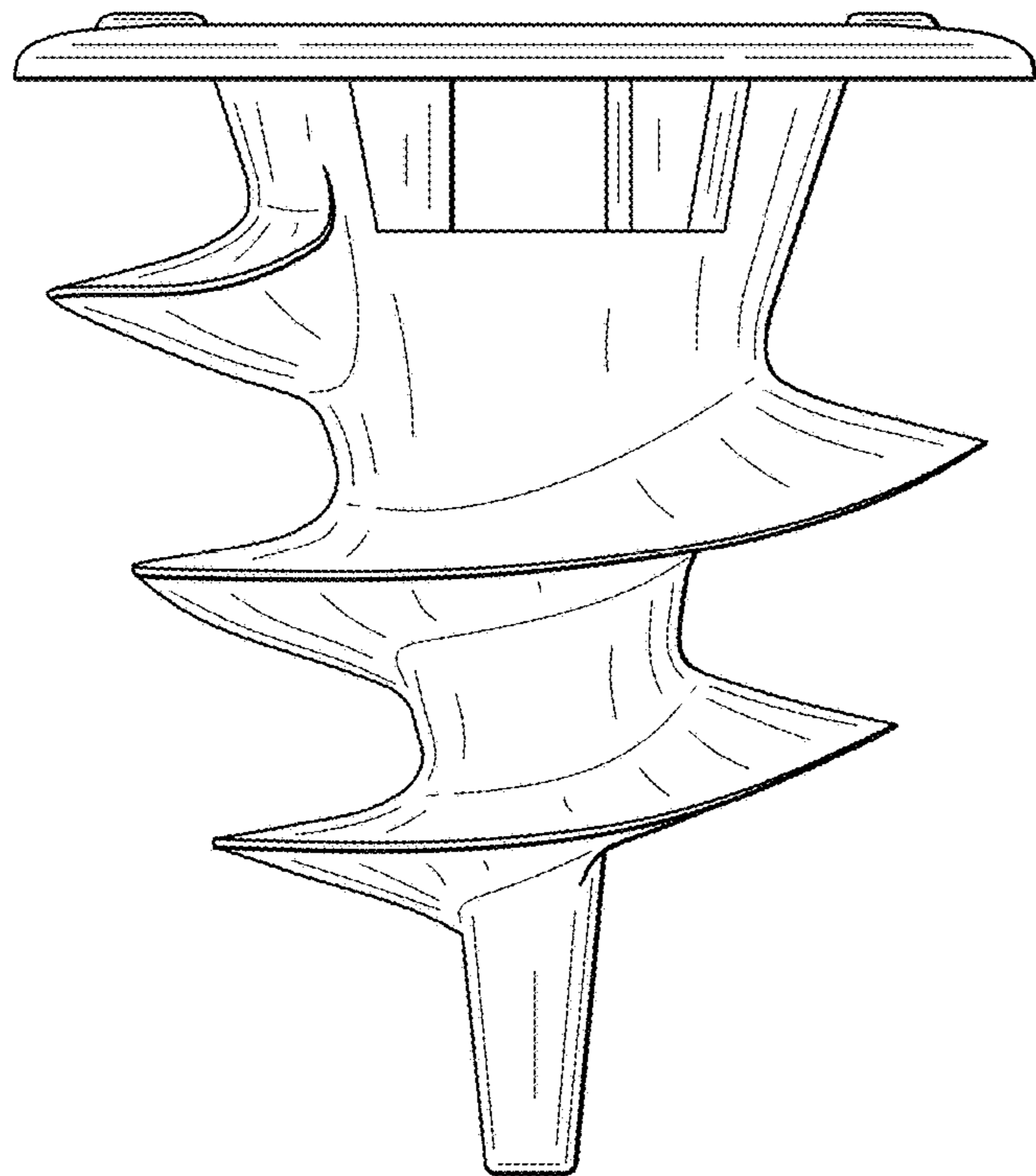


FIG. 3

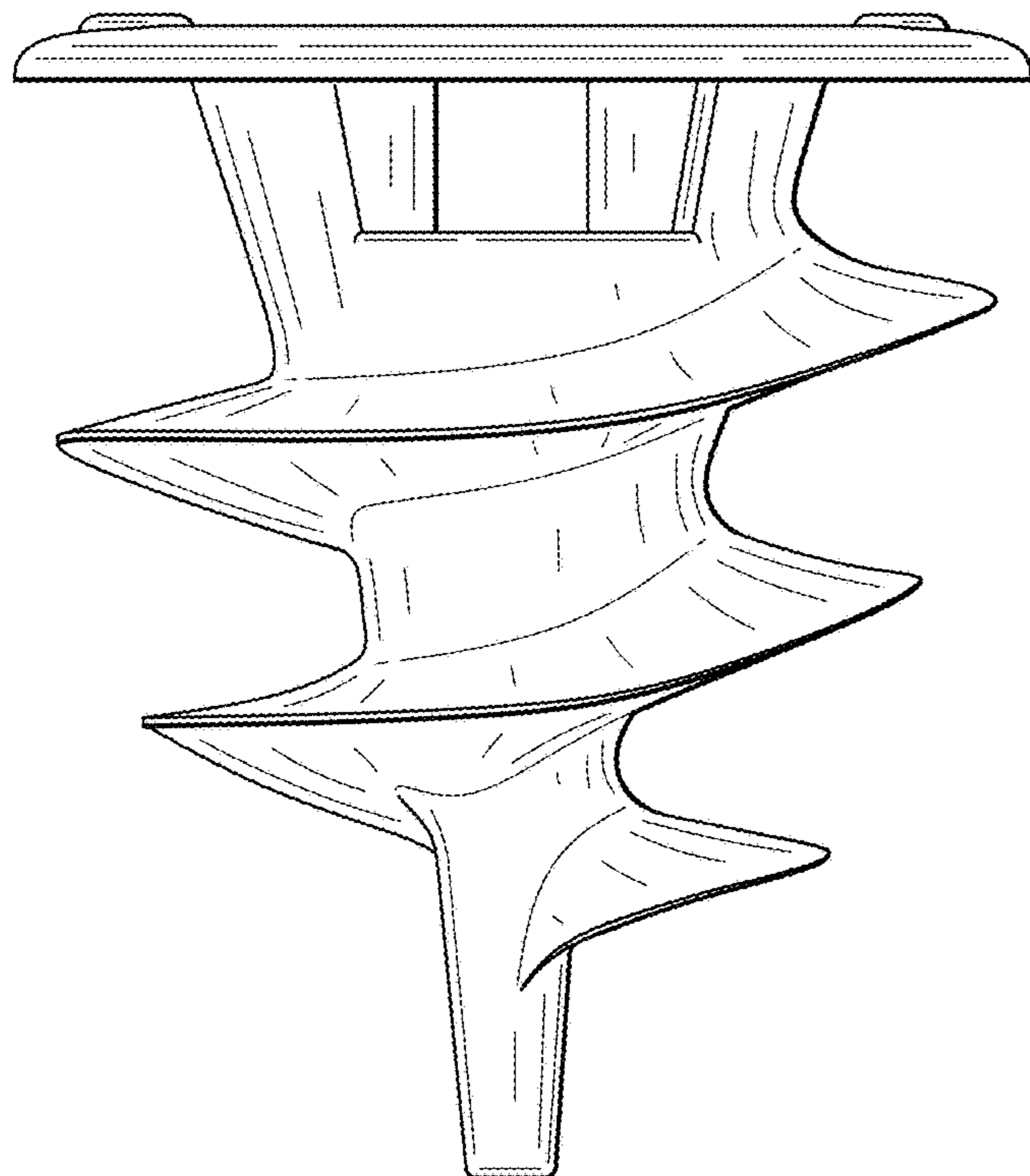


FIG. 4

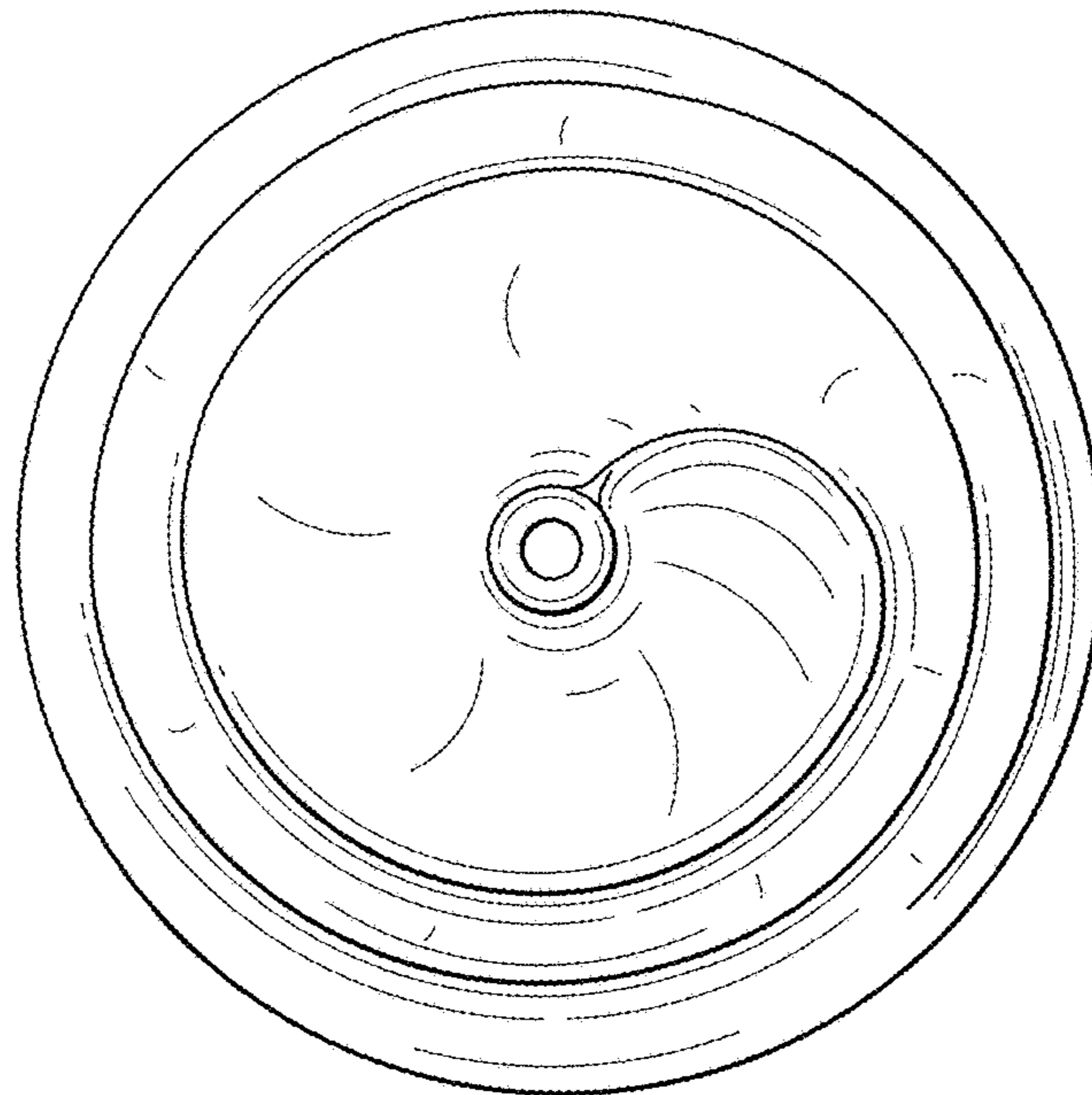


FIG. 5

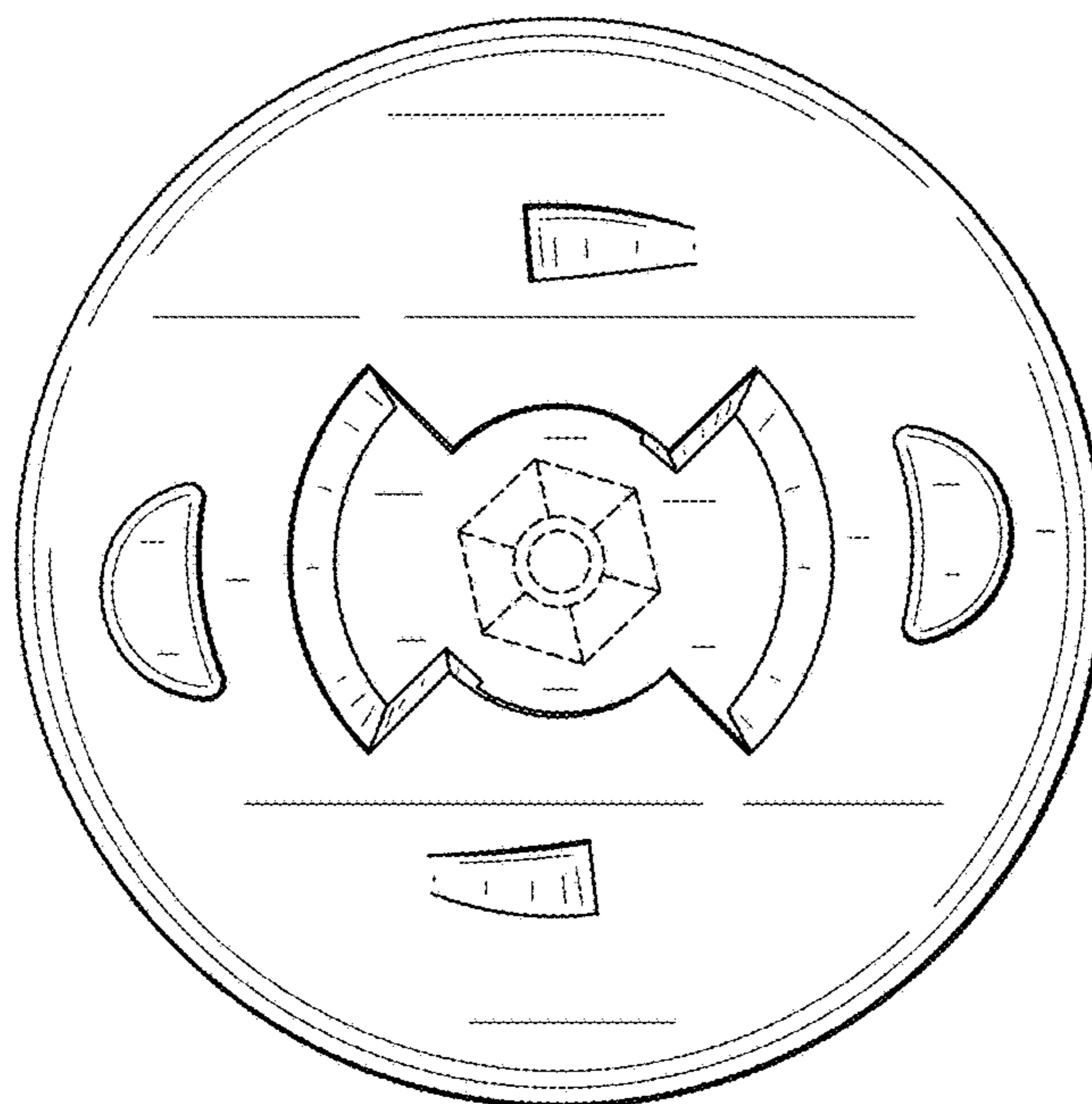


FIG. 6

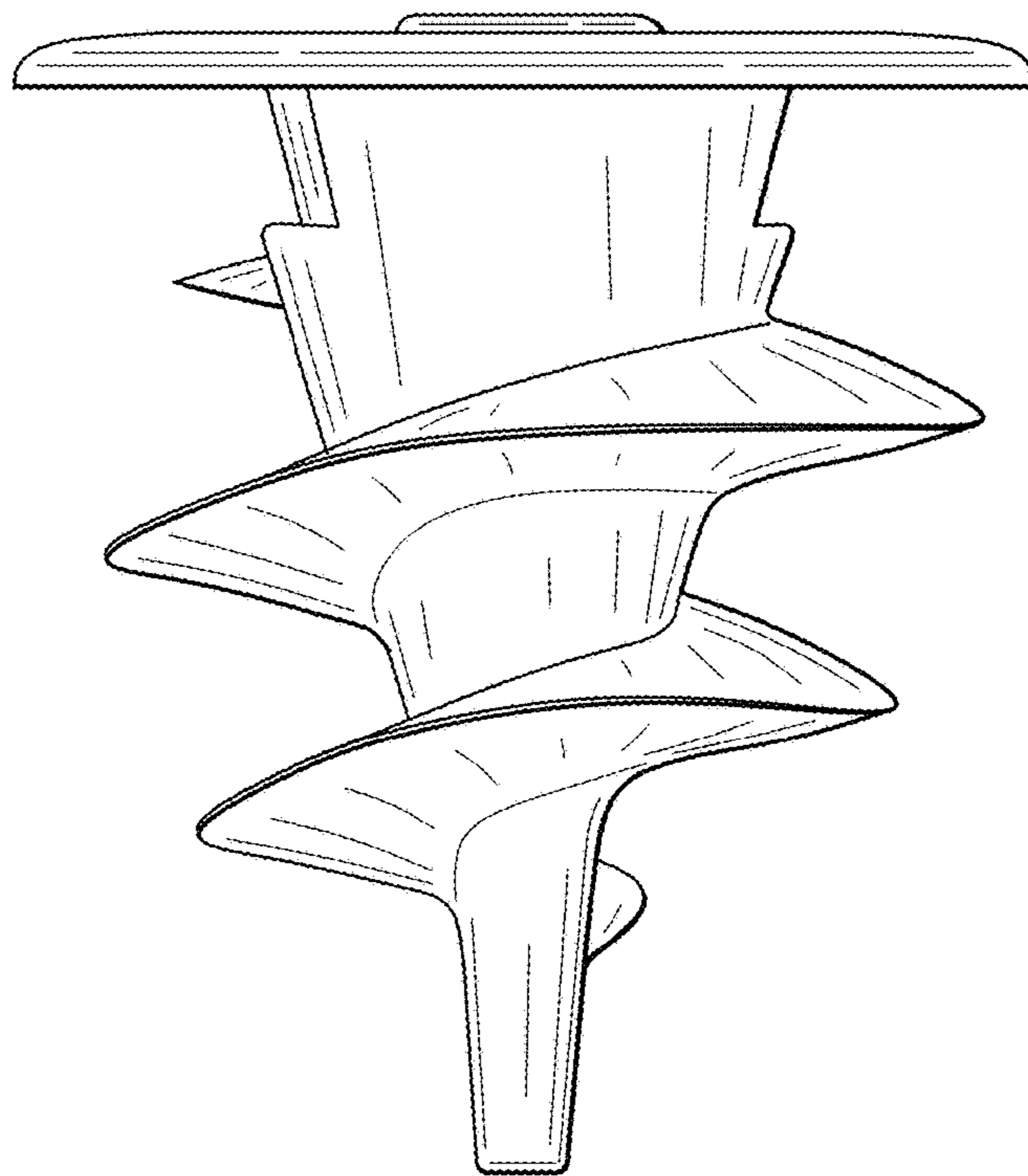


FIG. 7

