



US00D854918S

(12) **United States Design Patent**
Fitz

(10) **Patent No.:** **US D854,918 S**
(45) **Date of Patent:** **** Jul. 30, 2019**

- (54) **FASTENING DEVICE**
- (71) Applicant: **Pfeifer Holding GmbH & Co. KG**,
Memmingen (DE)
- (72) Inventor: **Christian Fitz**, Bad Waldsee (DE)
- (73) Assignee: **PFEIFER HOLDING GMBH & CO.**
KG, Memmingen (DE)
- (**) Term: **15 Years**
- (21) Appl. No.: **29/637,348**
- (22) Filed: **Feb. 15, 2018**
- (30) **Foreign Application Priority Data**

1,020,749	A *	3/1912	Fisher	F16G 11/04 403/211
1,214,709	A *	2/1917	Orr	F16G 11/04 24/122.6
1,651,081	A *	11/1927	Bardon	F16G 11/14 294/74
3,374,511	A *	3/1968	Barker	F16G 11/04 403/369
3,600,014	A *	8/1971	Harris	F16G 11/048 174/176
4,066,368	A *	1/1978	Mastalski	F16G 11/04 24/115 M
4,279,531	A *	7/1981	McKenzie	F16G 11/05 403/267
D261,102	S *	10/1981	Hoover	294/86.4
D290,339	S *	6/1987	Lowery	D8/354
5,000,611	A *	3/1991	Reinhart	F16B 11/008 156/294

(Continued)

Aug. 16, 2017 (EM) 004149912

- (51) **LOC (11) Cl.** **08-08**
- (52) **U.S. Cl.**
USPC **D8/383**; D8/382
- (58) **Field of Classification Search**
USPC D8/383, 382, 394, 396, 354, 44
CPC . D07B 1/18; D07B 1/005; D07B 9/00; D07B
2201/20; D07B 2201/2083; D07B
2201/2084; D07B 2201/2085; D07B
2201/2089; F16G 11/00; F16G 11/03;
F16G 11/04; F16G 11/048; F16G 11/08;
F16G 11/10; F16G 11/105; F16G 11/108
See application file for complete search history.

Primary Examiner — Sandra S Snapp
Assistant Examiner — Ieisha N Price
 (74) *Attorney, Agent, or Firm* — Charles F. Reidelbach,
 Jr.

(57) **CLAIM**

I claim the ornamental design for a fastening device, as shown and described.

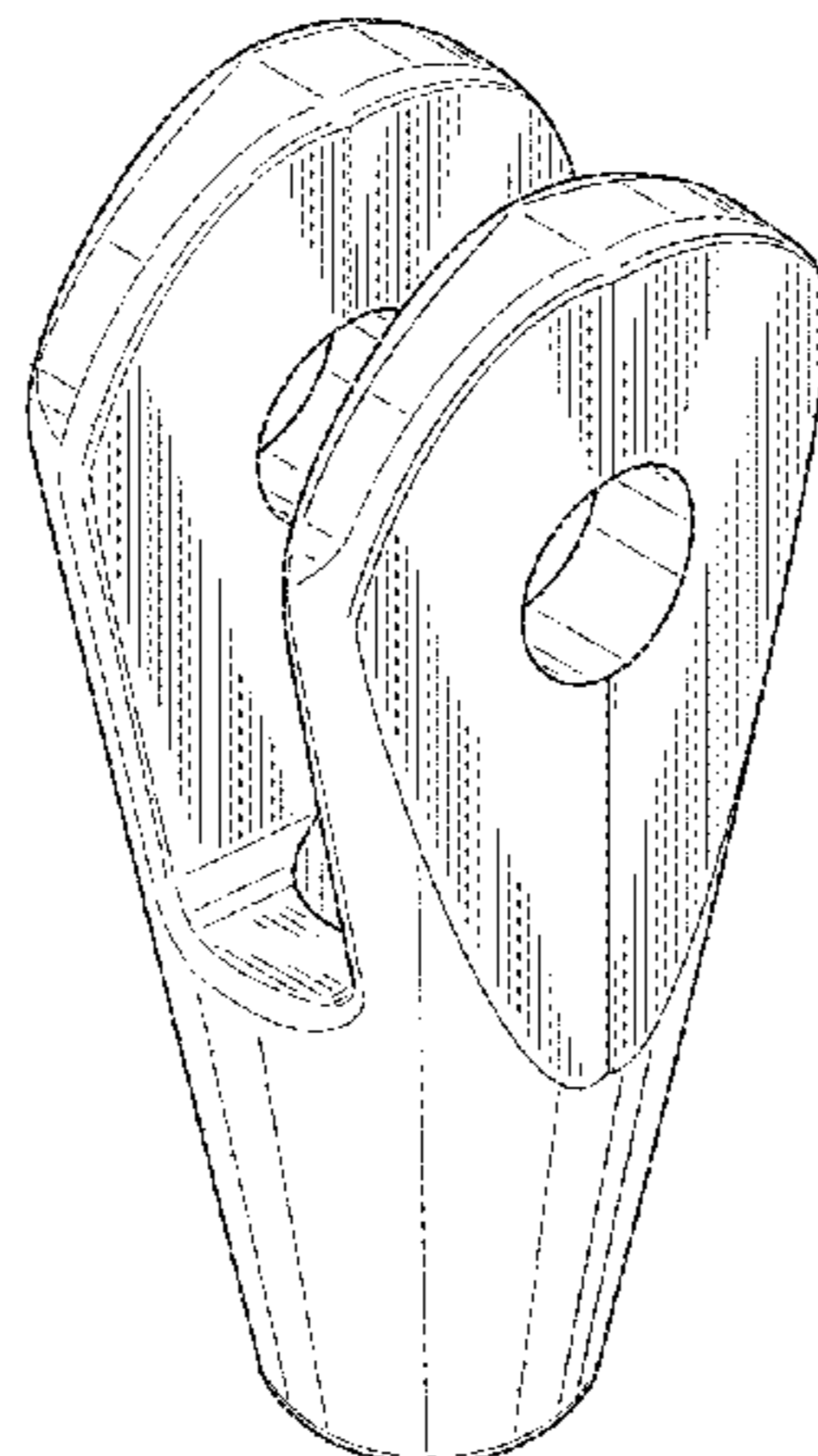
DESCRIPTION

FIG. 1 is an upper left front perspective view of a fastening device;
 FIG. 2 is a front elevational view of a fastening device; the rear view is identical thereto;
 FIG. 3 is a right side elevational view of a fastening device; the left side is identical thereto;
 FIG. 4 is a top plan view of a fastening device; and,
 FIG. 5 is a bottom plan view of a fastening device.
 The broken lines in the drawings illustrate portions of the fastening device and form no part of the claimed design.

1 Claim, 3 Drawing Sheets

(56) **References Cited**
 U.S. PATENT DOCUMENTS

349,061	A *	9/1886	Shelby	F16G 11/10 403/182
452,185	A *	5/1891	Jones	F16G 11/04 24/136 R
D33,373	S *	10/1900	Bidle	D8/349
D34,940	S *	8/1901	Frazier	D8/354
985,915	A *	3/1911	Marchand	F16G 11/04 403/275



(56)

References Cited

U.S. PATENT DOCUMENTS

5,024,548 A * 6/1991 Timmington F16G 11/00
403/165
5,233,730 A * 8/1993 Milne E21D 21/008
24/115 M
D534,417 S * 1/2007 Caruana D8/382
D643,281 S * 8/2011 Roberts D8/394
D651,180 S * 12/2011 Lee D13/154
D727,138 S * 4/2015 Cross D8/382
D762,536 S * 8/2016 Wurzer D12/174
2015/0362096 A1* 12/2015 Durney H05K 5/0247
24/122.3
2016/0223445 A1* 8/2016 Campbell D07B 1/185

* cited by examiner

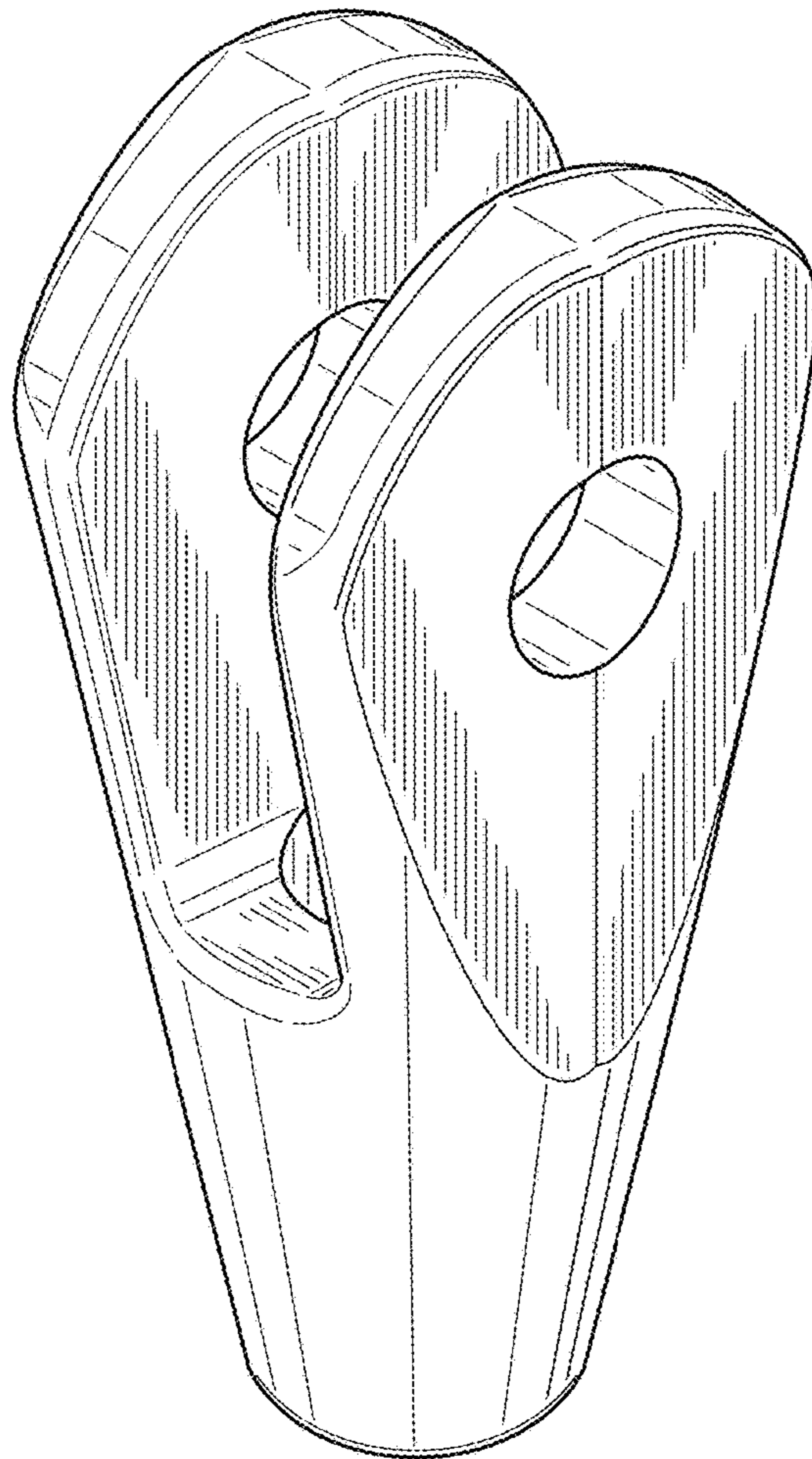


FIG. 1

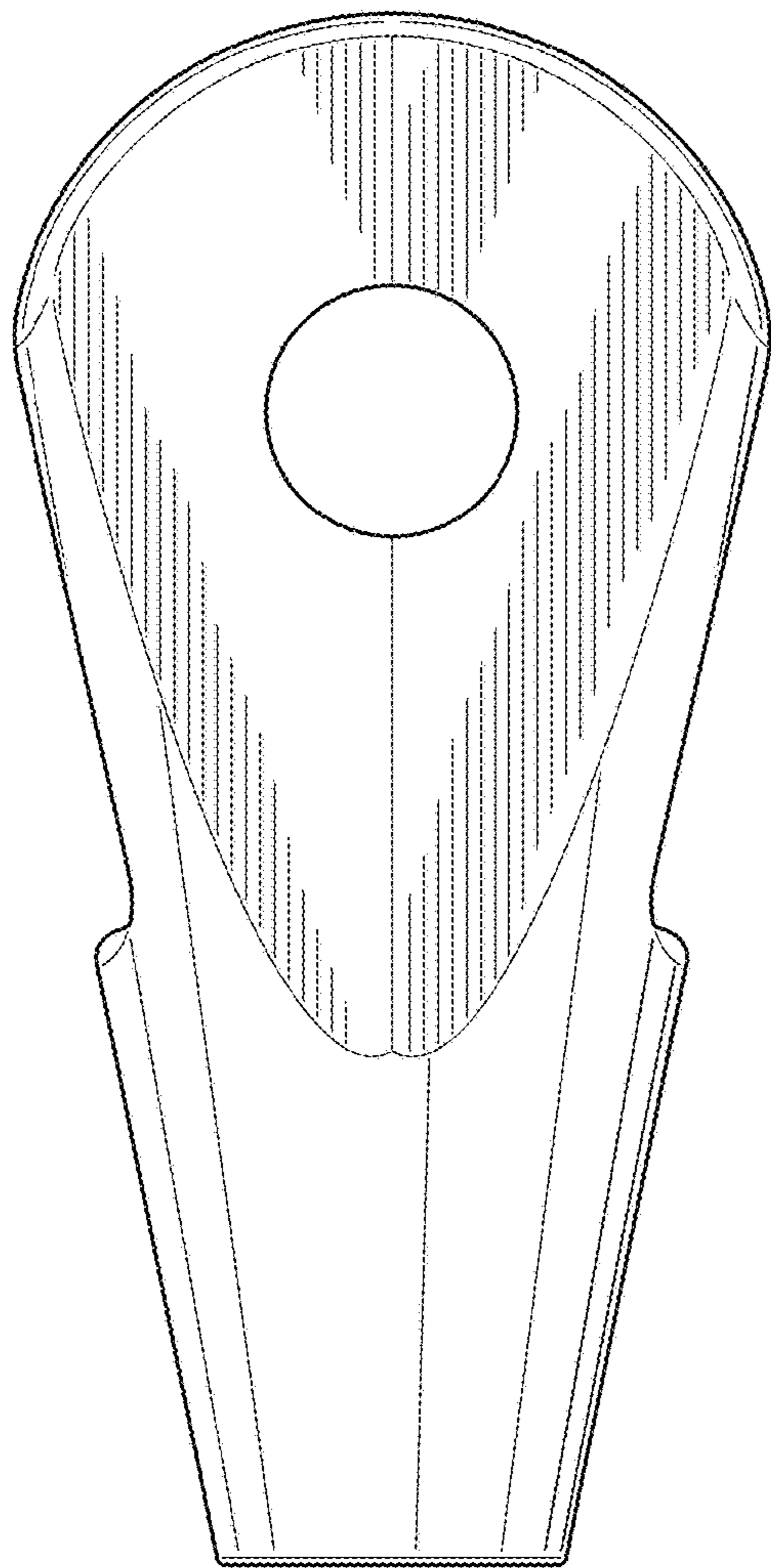


FIG. 2

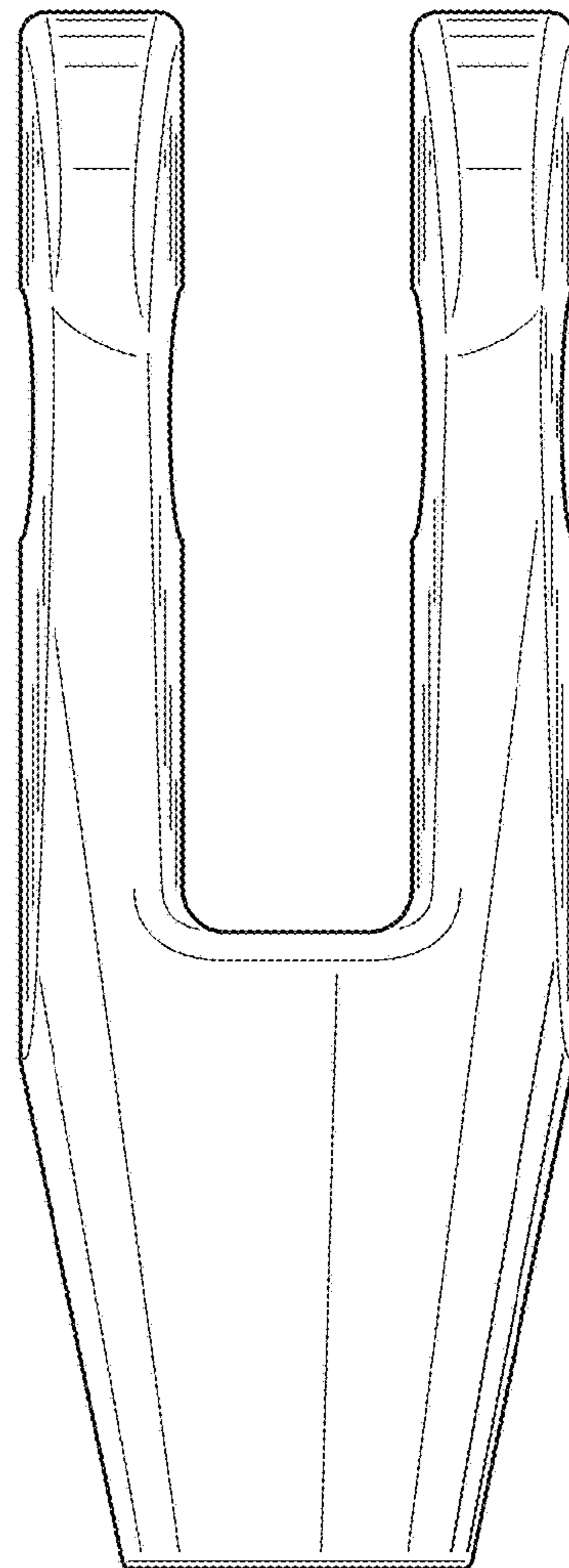


FIG. 3

FIG. 4

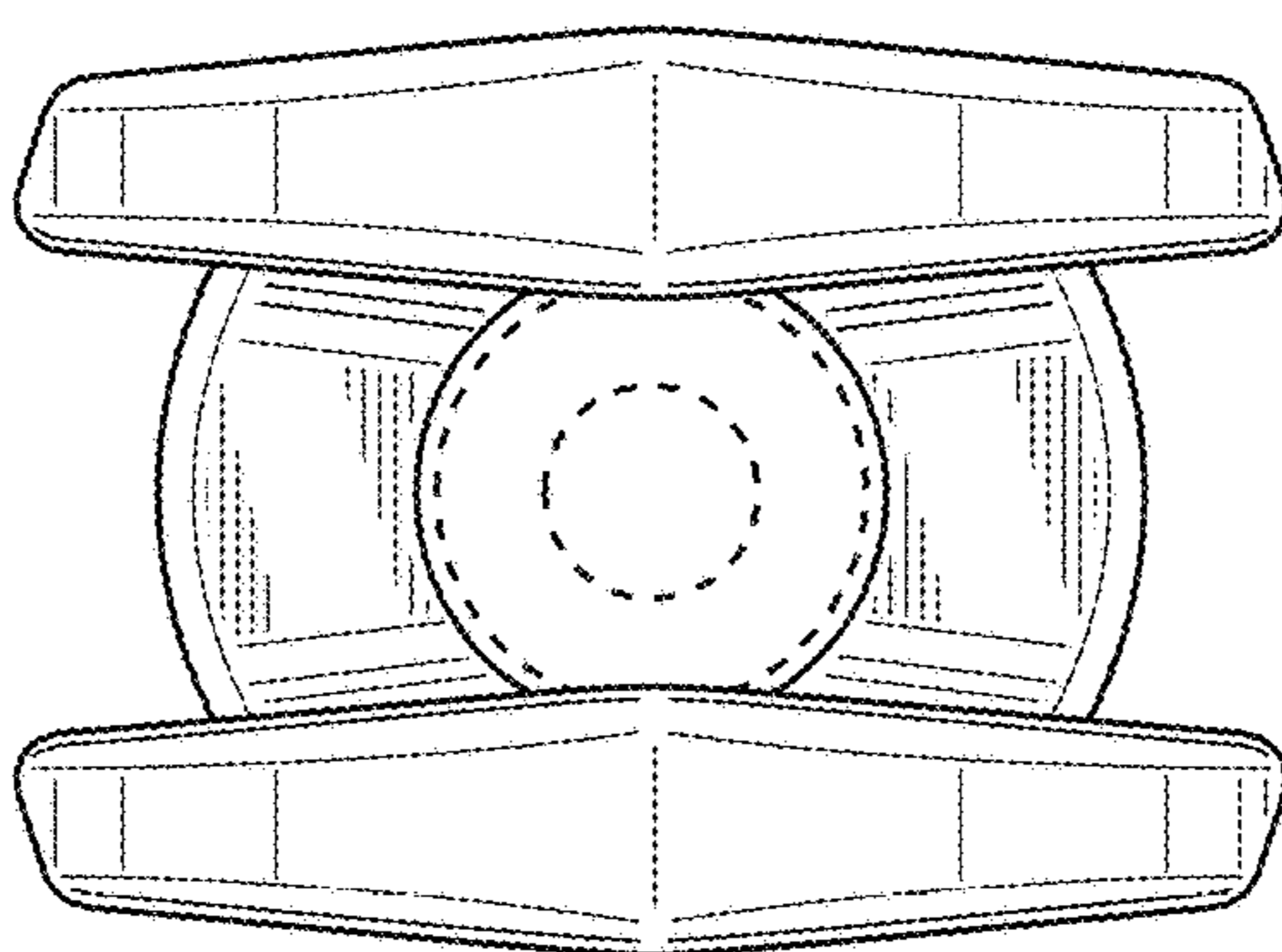


FIG. 5

