

US00D854916S

(12) **United States Design Patent**
Derr

(10) **Patent No.:** **US D854,916 S**
(45) **Date of Patent:** **** *Jul. 30, 2019**

- (54) **ELASTIC CINCH**
- (71) Applicant: **NITE IZE, INC.**, Boulder, CO (US)
- (72) Inventor: **Dedric Michal Derr**, Oklahoma City, OK (US)
- (73) Assignee: **Nite Ize, Inc.**, Boulder, CO (US)
- (*) Notice: This patent is subject to a terminal disclaimer.
- (**) Term: **15 Years**
- (21) Appl. No.: **29/610,753**
- (22) Filed: **Jul. 14, 2017**
- (51) **LOC (11) Cl.** **09-06**
- (52) **U.S. Cl.**
USPC **D8/356**
- (58) **Field of Classification Search**
USPC D8/367, 356, 354, 349
CPC B65H 57/16; B63B 21/045
See application file for complete search history.

(56) **References Cited**

U.S. PATENT DOCUMENTS

4,322,077	A	3/1982	Van't Hof	
D391,694	S *	3/1998	Eichhorn	119/784
5,896,623	A	4/1999	Martin	
D462,523	S	9/2002	Kalbach	
D573,875	S *	7/2008	Anderson	D8/367
D623,861	S	9/2010	Kope et al.	
D734,742	S	7/2015	Fujioka	
D741,067	S	10/2015	Votel et al.	

D765,413	S	9/2016	Derr	
D767,975	S *	10/2016	Jiang	D3/207
D767,977	S *	10/2016	Man	D8/367
D769,104	S *	10/2016	Reid	D8/356
2006/0272890	A1	12/2006	Harmon et al.	
2009/0151130	A1	6/2009	Stewart et al.	

* cited by examiner

Primary Examiner — Cynthia R Underwood

(74) *Attorney, Agent, or Firm* — Haynes and Boone, LLP

(57) **CLAIM**

The ornamental design for the elastic cinch, as shown and described.

DESCRIPTION

FIG. 1 shows a front perspective view of an elastic cinch; FIG. 2 shows a rear perspective view of the elastic cinch of FIG. 1; FIG. 3 shows a front view of the elastic cinch of FIG. 1; FIG. 4 shows a rear view of the elastic cinch of FIG. 1; FIG. 5 shows a right side view of the elastic cinch of FIG. 1; FIG. 6 shows a left side view of the elastic cinch of FIG. 1; FIG. 7 shows a top view of the elastic cinch of FIG. 1; FIG. 8 shows a bottom view of the elastic cinch of FIG. 1; FIG. 9 shows a cutaway view along section cut 9 of FIG. 3; FIG. 10 shows a cutaway view along section cut 10 of FIG. 4; FIG. 11 shows a cutaway view along section cut 11 of FIG. 5; and, FIG. 12 shows a cutaway view along section cut 12 of FIG. 6.

1 Claim, 6 Drawing Sheets

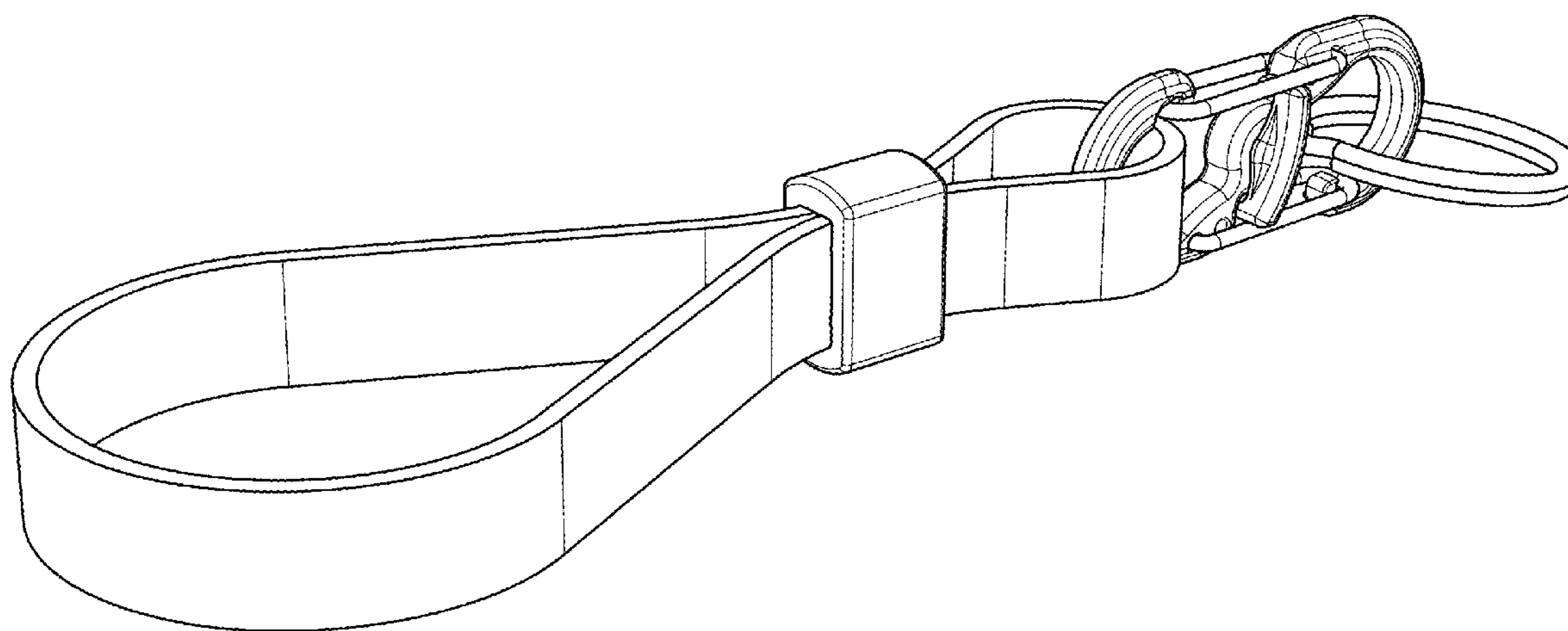


FIG. 1

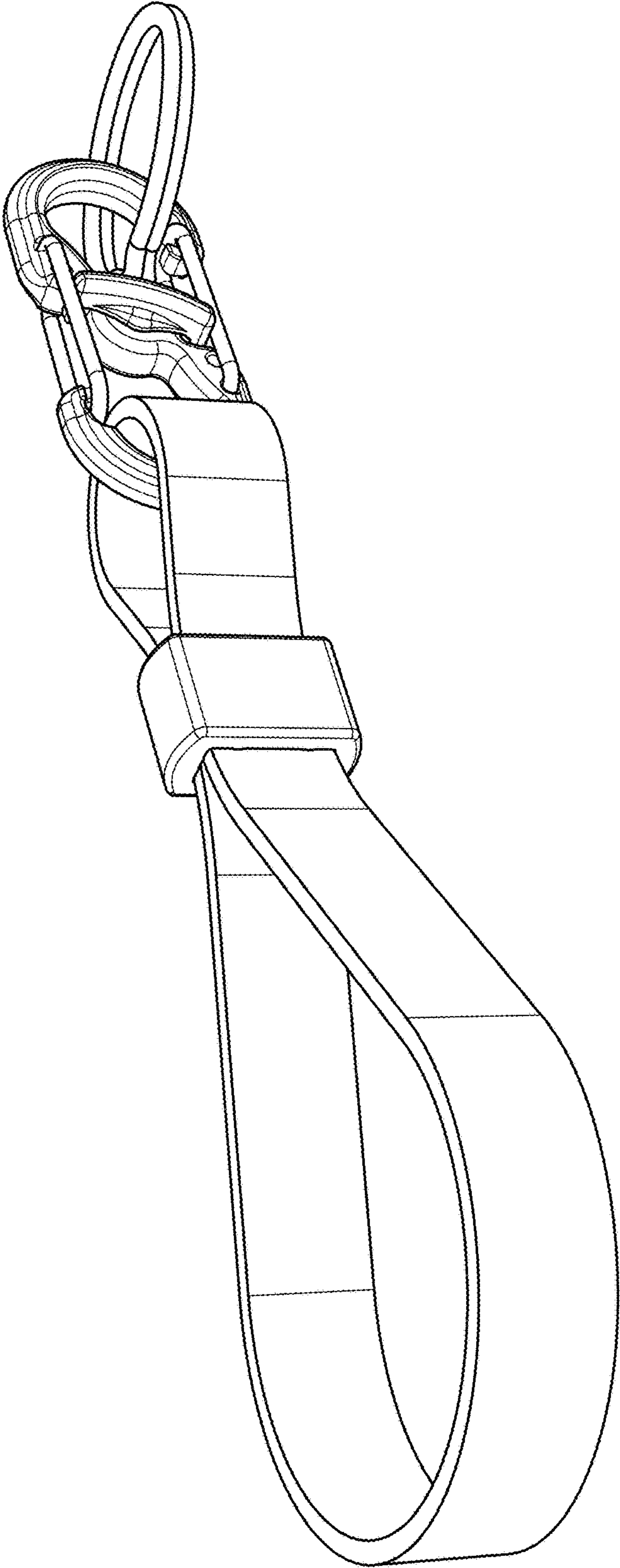


FIG. 2

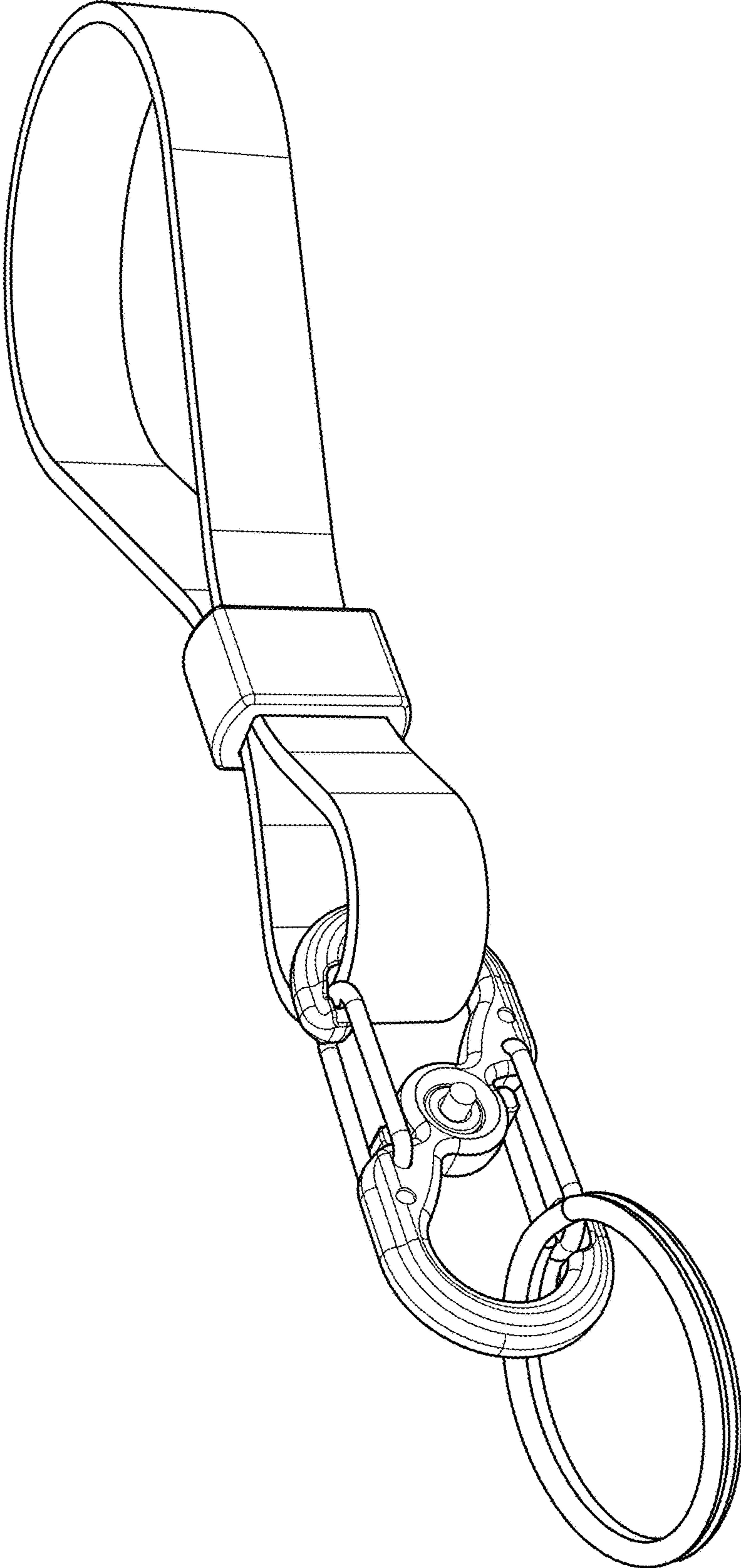


FIG. 3

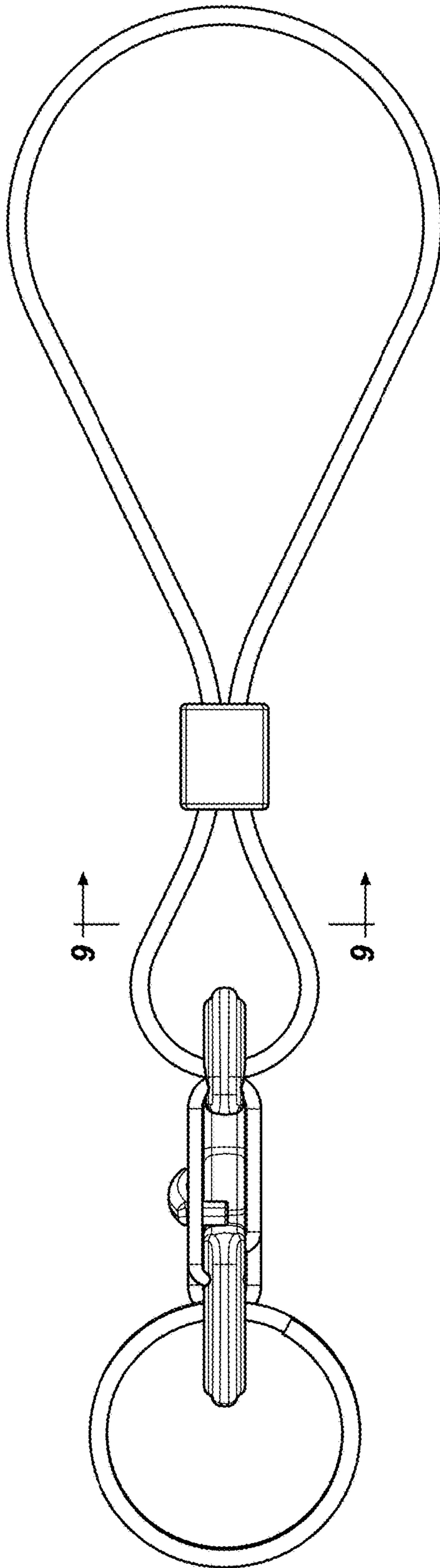


FIG. 4

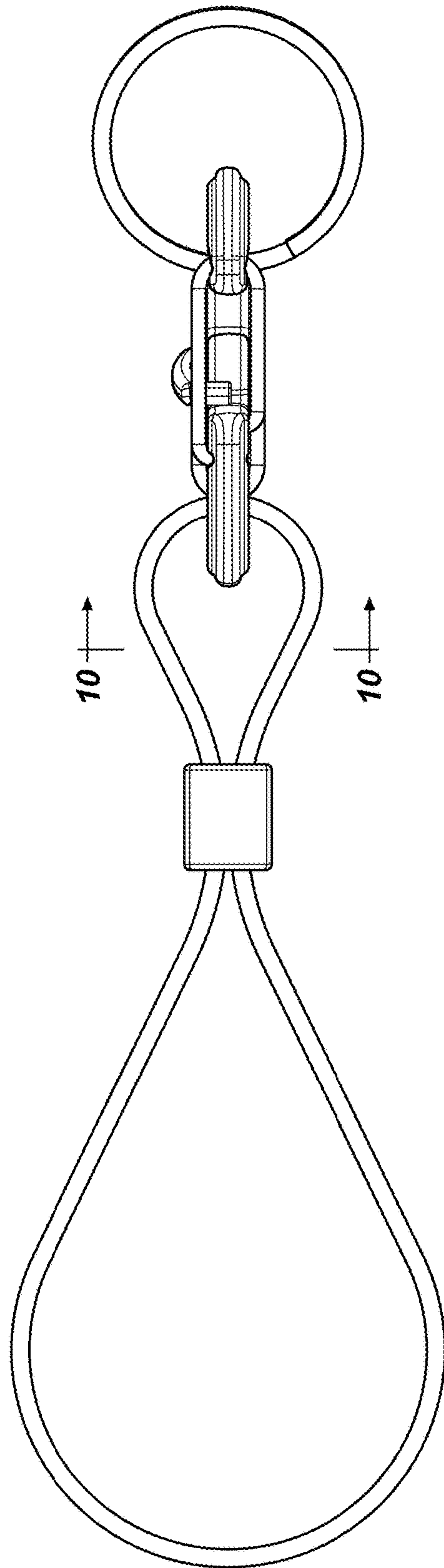


FIG. 5

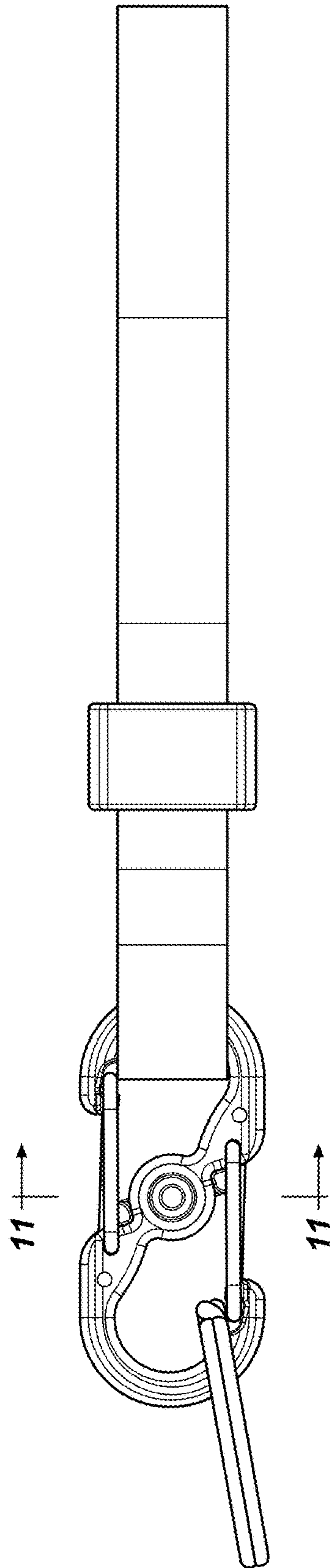


FIG. 6

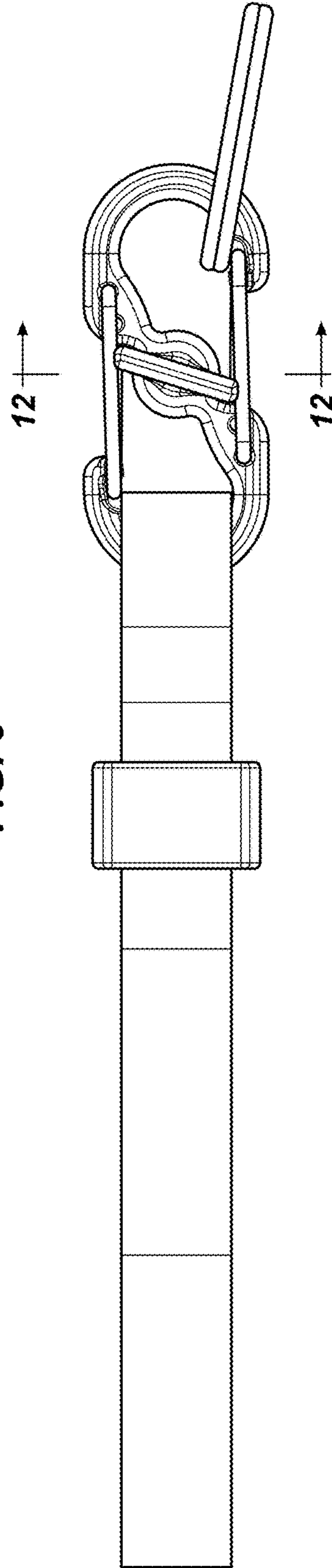


FIG. 7

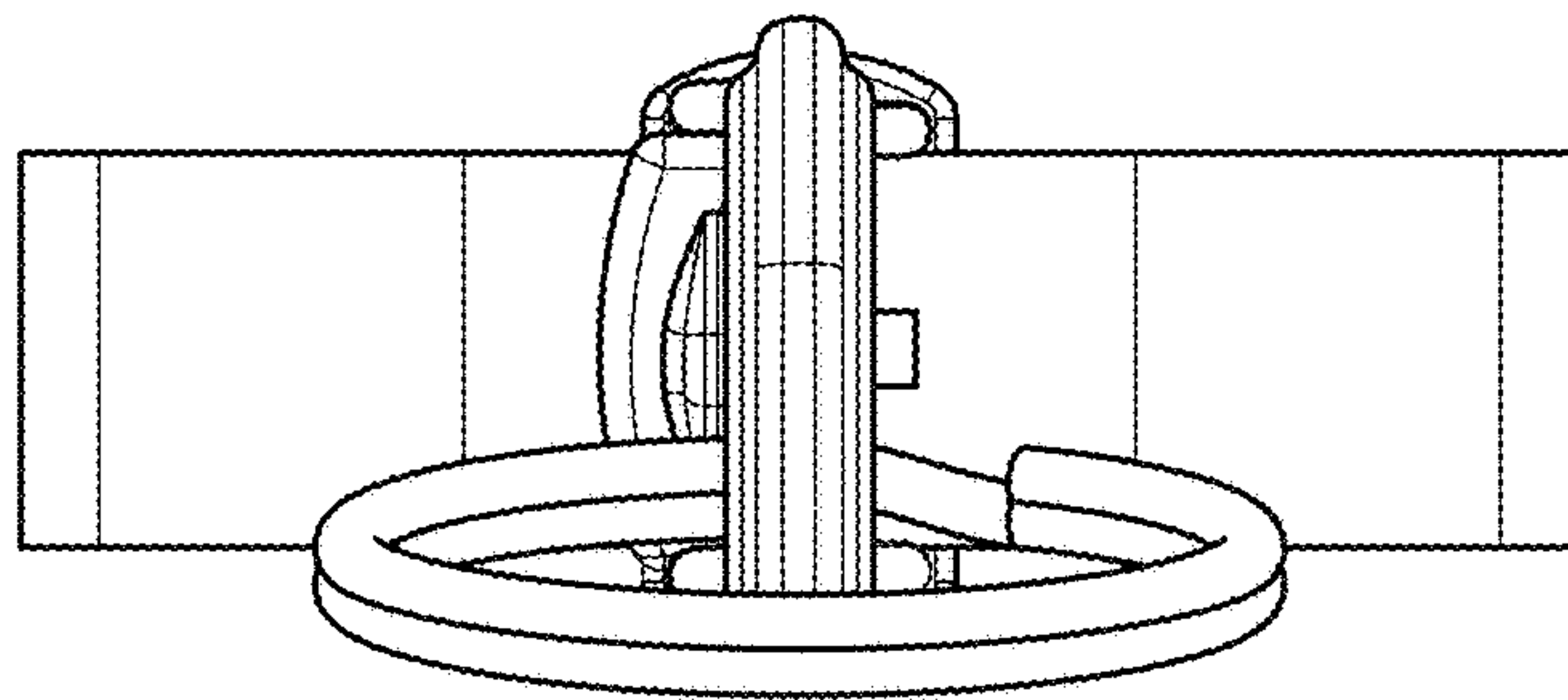


FIG. 8

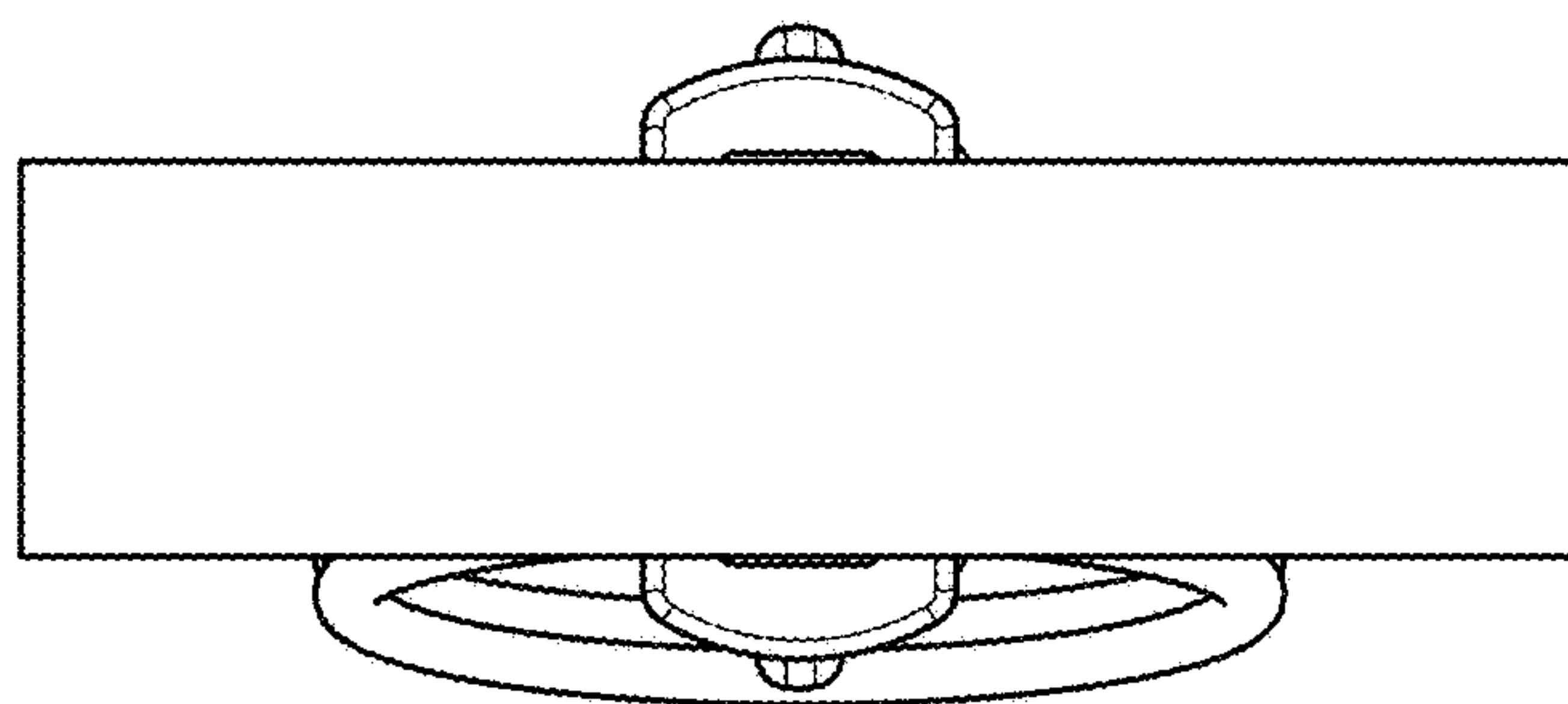


FIG. 9

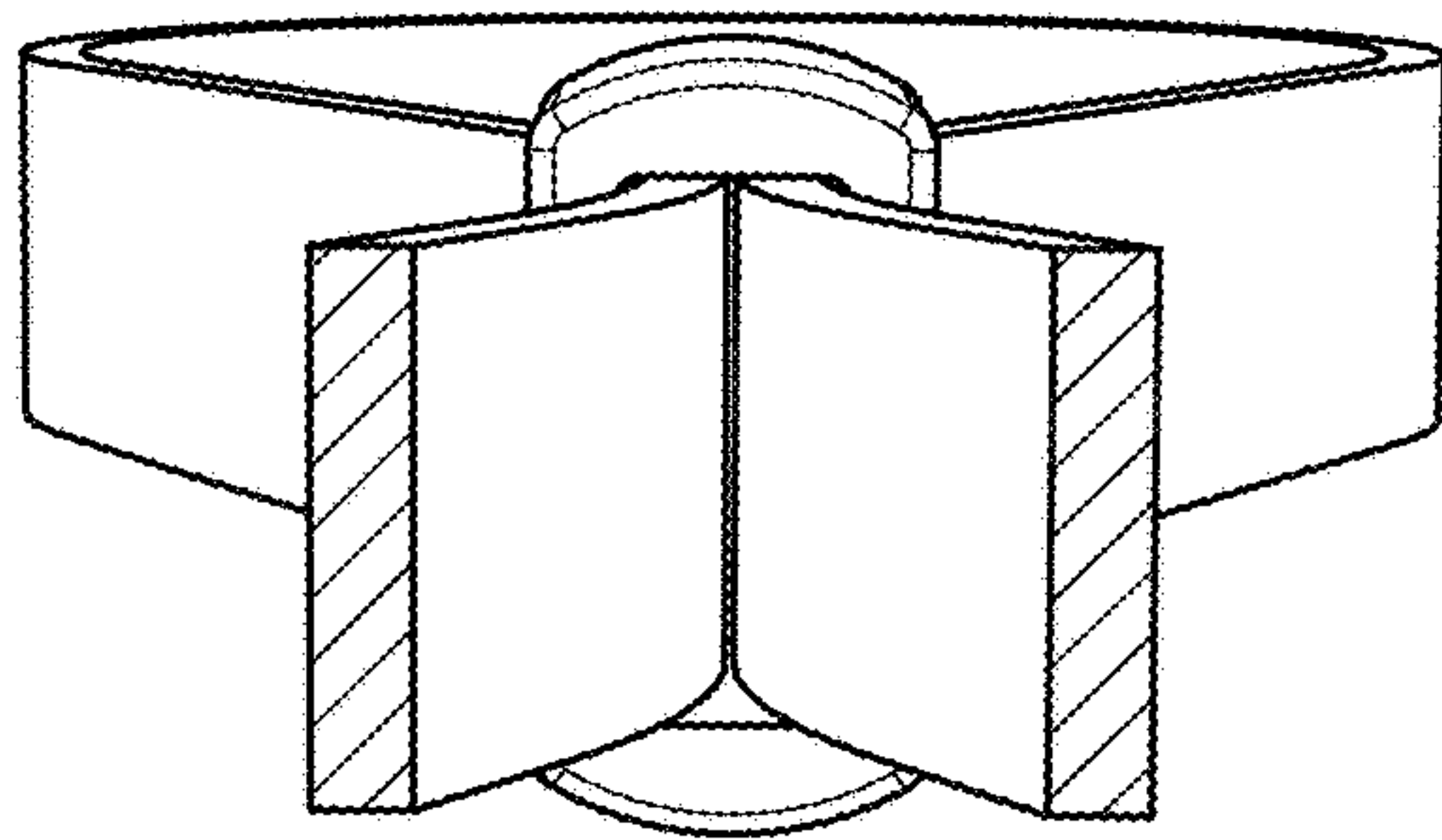


FIG. 10

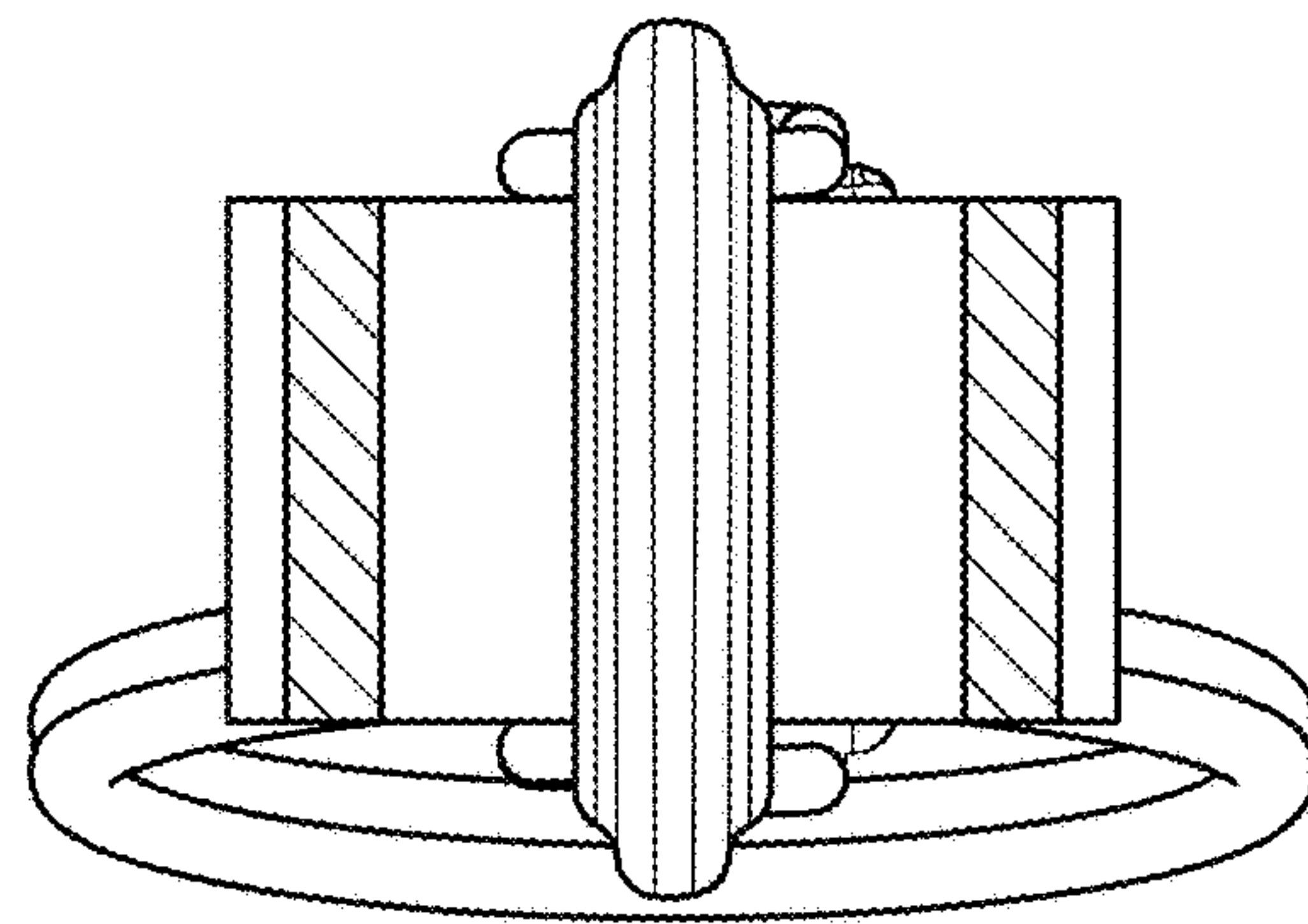


FIG. 11

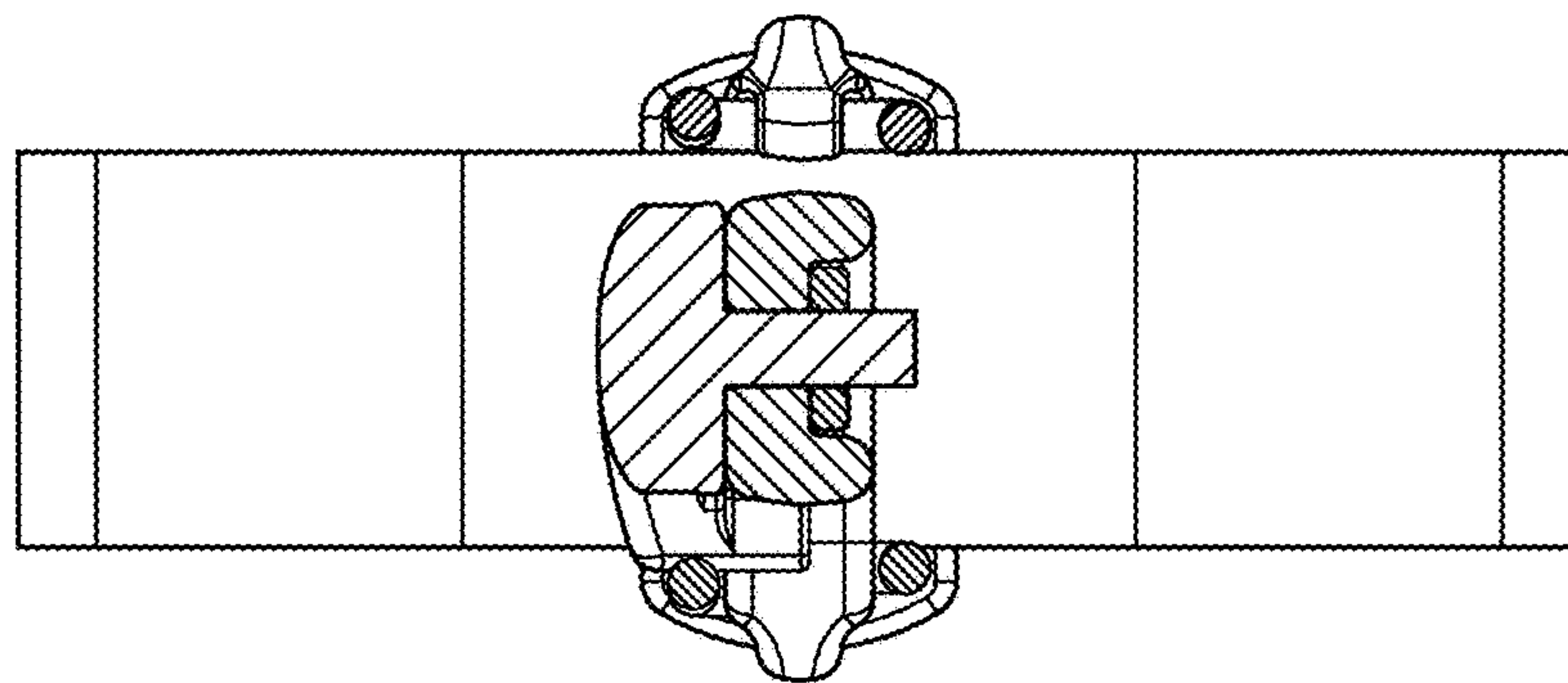


FIG. 12

