



US00D854915S

(12) **United States Design Patent** (10) **Patent No.:** **US D854,915 S**  
**Beagen** (45) **Date of Patent:** **\*\* Jul. 30, 2019**

(54) **CONDUIT HANGER ADAPTER**  
(71) Applicant: **Anvil International, LLC**, Exeter, NH (US)  
(72) Inventor: **Joseph Beagen**, North Attleboro, MA (US)  
(73) Assignee: **Anvil International, LLC**, Exeter, NH (US)

5,209,440 A 5/1993 Walker  
5,226,456 A 7/1993 Semak  
5,344,108 A 9/1994 Heath  
5,474,274 A 12/1995 Bernosky  
5,702,077 A 12/1997 Heath  
D397,413 S \* 8/1998 Sapp ..... D23/262  
6,086,029 A 7/2000 Oliver  
6,135,397 A 10/2000 Santa Cruz et al.  
6,158,519 A 12/2000 Kretschmer  
(Continued)

(\*\*) Term: **15 Years**  
(21) Appl. No.: **29/625,298**

FOREIGN PATENT DOCUMENTS

CA 2921391 2/2015  
JP 2000317008 11/2000  
WO 2019010319 1/2019

(22) Filed: **Nov. 8, 2017**  
(51) **LOC (11) Cl.** ..... **08-05**  
(52) **U.S. Cl.**  
USPC ..... **D8/354**  
(58) **Field of Classification Search**  
USPC ..... D8/354, 349, 356, 364, 367, 373, 380,  
D8/382, 383, 396; D23/262, 265  
CPC ..... H02G 3/0691; H02G 3/06; H02G 3/0616  
See application file for complete search history.

OTHER PUBLICATIONS

Beagen, Joseph; International Search Report for PCT Application No. PCT/US18/40938, filed Jul. 5, 2018, dated Oct. 1, 2018, 11 pgs.  
(Continued)

*Primary Examiner* — Janice Hallmark  
*Assistant Examiner* — Harold E Blackwell, II  
(74) *Attorney, Agent, or Firm* — Taylor English Duma LLP

(56) **References Cited**

U.S. PATENT DOCUMENTS

884,661 A 4/1908 Howe  
1,052,837 A 2/1913 Makutchan  
1,760,224 A 5/1930 Wray  
1,838,623 A 12/1931 Hersey et al.  
2,246,557 A 6/1941 Walters  
D152,275 S \* 1/1949 Ludwig ..... D13/134  
2,698,760 A 1/1955 Roth et al.  
3,194,590 A 7/1965 Cook  
3,244,388 A 4/1966 Coffinan  
3,414,220 A 12/1968 Walker  
3,539,139 A 11/1970 Eucker  
3,838,712 A 10/1974 Courtney et al.  
3,960,350 A 6/1976 Tardoskegyi  
4,793,578 A 12/1988 Howard  
4,834,186 A 5/1989 Ballard  
D332,481 S \* 1/1993 Petty ..... D23/262

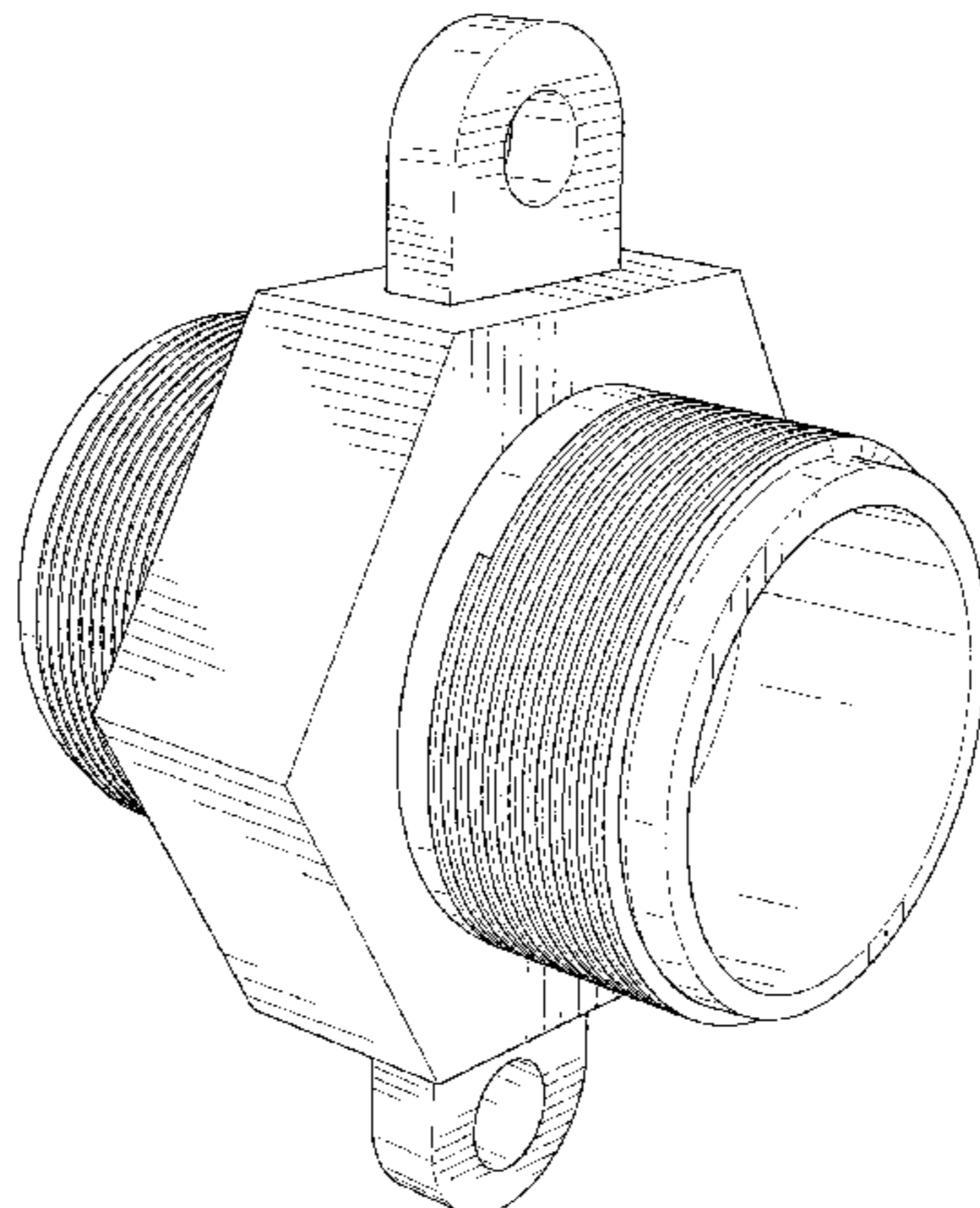
(57) **CLAIM**

The ornamental design for a conduit hanger adapter, as shown and described.

**DESCRIPTION**

FIG. 1 is an isometric view of my new design;  
FIG. 2 is a top view of the design of FIG. 1, wherein the bottom view is identical to FIG. 2;  
FIG. 3 is a first side view of the design of FIG. 1, wherein a second side view is identical to FIG. 3; and,  
FIG. 4 is a first end view of the design of FIG. 1, wherein a second end view is identical to FIG. 4.

**1 Claim, 4 Drawing Sheets**



(56)

References Cited

U.S. PATENT DOCUMENTS

6,484,976 B1 12/2002 Boutin  
 6,488,097 B1 12/2002 MacDonald, III et al.  
 6,655,641 B2 12/2003 Sherman et al.  
 6,896,301 B2 5/2005 Brice  
 D544,448 S \* 6/2007 Hull ..... D13/151  
 D554,237 S \* 10/2007 Lewis ..... D23/259  
 D594,938 S \* 6/2009 Dirneder ..... D23/262  
 7,793,988 B1 9/2010 Shemtov  
 D647,784 S \* 11/2011 McNamara ..... D8/349  
 8,056,938 B2 \* 11/2011 Shen ..... H02G 3/0691  
 285/321  
 D659,644 S \* 5/2012 Gretz ..... D13/151  
 8,875,743 B2 11/2014 Persaud et al.  
 D724,699 S \* 3/2015 Wyne ..... D23/259  
 9,140,277 B2 9/2015 McMillen et al.  
 9,375,594 B2 6/2016 Stempo et al.  
 9,464,749 B2 10/2016 Heath  
 D777,885 S \* 1/2017 Zhang ..... D23/259  
 D779,046 S \* 2/2017 Tansey, Jr. .... D23/262  
 D782,621 S \* 3/2017 Smith ..... D23/259  
 D787,648 S \* 5/2017 Smith ..... D23/259  
 9,709,192 B1 7/2017 Newcomb et al.  
 9,951,821 B1 \* 4/2018 Franzino ..... F16D 1/08  
 10,006,565 B2 6/2018 Kito et al.

D822,180 S \* 7/2018 Rolston ..... D23/259  
 D832,222 S \* 10/2018 Johnson ..... D13/155  
 2002/0195817 A1 12/2002 Choi  
 2004/0094960 A1 5/2004 Brice  
 2005/0051674 A1 3/2005 Breeden et al.  
 2008/0011908 A1 1/2008 Wilson et al.  
 2009/0224533 A1 9/2009 Richter  
 2010/0038494 A1 2/2010 Osborn et al.  
 2011/0147538 A1 6/2011 Schiefelbein, Jr.  
 2013/0233430 A1 9/2013 Stempo et al.  
 2017/0082232 A1 3/2017 Bosis et al.  
 2017/0184222 A1 6/2017 Aker  
 2018/0099167 A1 \* 4/2018 Dafoneseca ..... A62C 35/62  
 2019/0009295 A1 1/2019 Beagen

OTHER PUBLICATIONS

Uponor-USA.com, "How an Uponor AquaSAFE Multipurpose System Works" [online], Mar. 24, 2016 (Mar. 24, 2016), (retrieved from the Internet on Jun. 9, 2018) <URL <https://www.uponor-usa.com/residential-fire-safety/builder/how-multipurpose-works.aspx>>; 2 pgs.  
 Beagen, Joseph; Requirement for Restriction/Election for U.S. Appl. No. 15/644,141, filed Jul. 7, 2017, dated Jan. 3, 2019, 5 pgs.  
 Beagen, Joseph; Non-Final Office Action for U.S. Appl. No. 15/644,141, filed Jul. 7, 2017, dated Mar. 27, 2019, 16 pgs.

\* cited by examiner

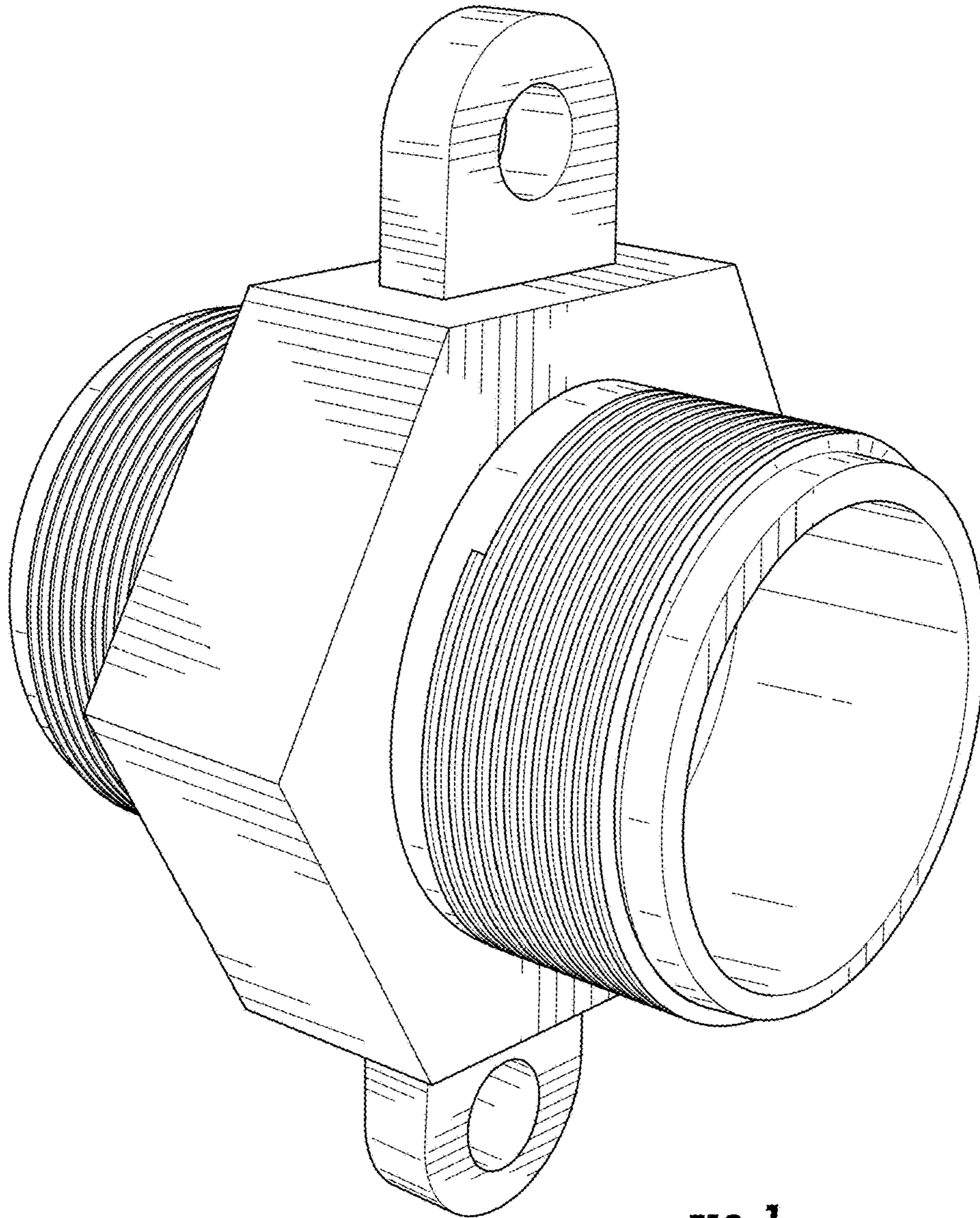
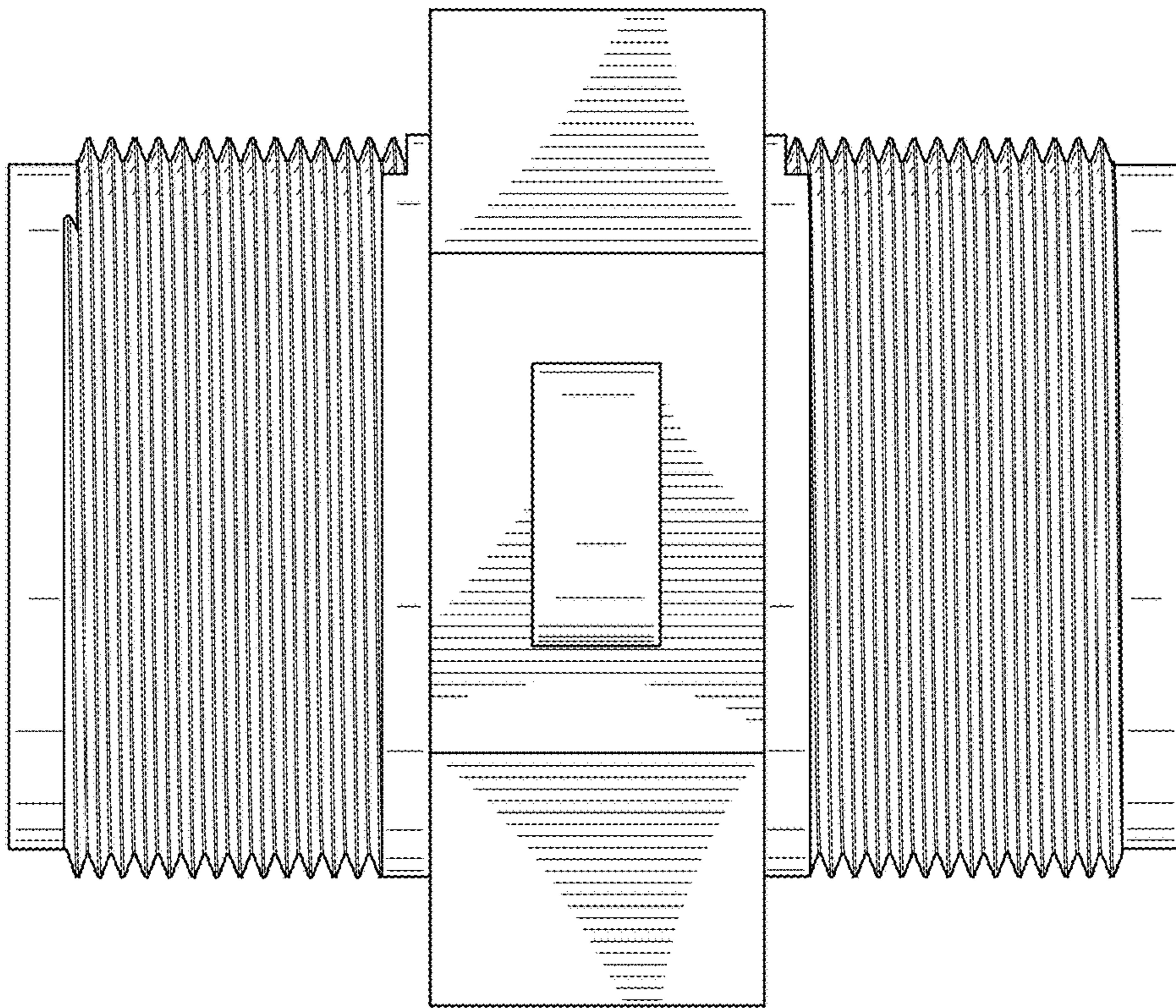


FIG. 1





**FIG. 2**

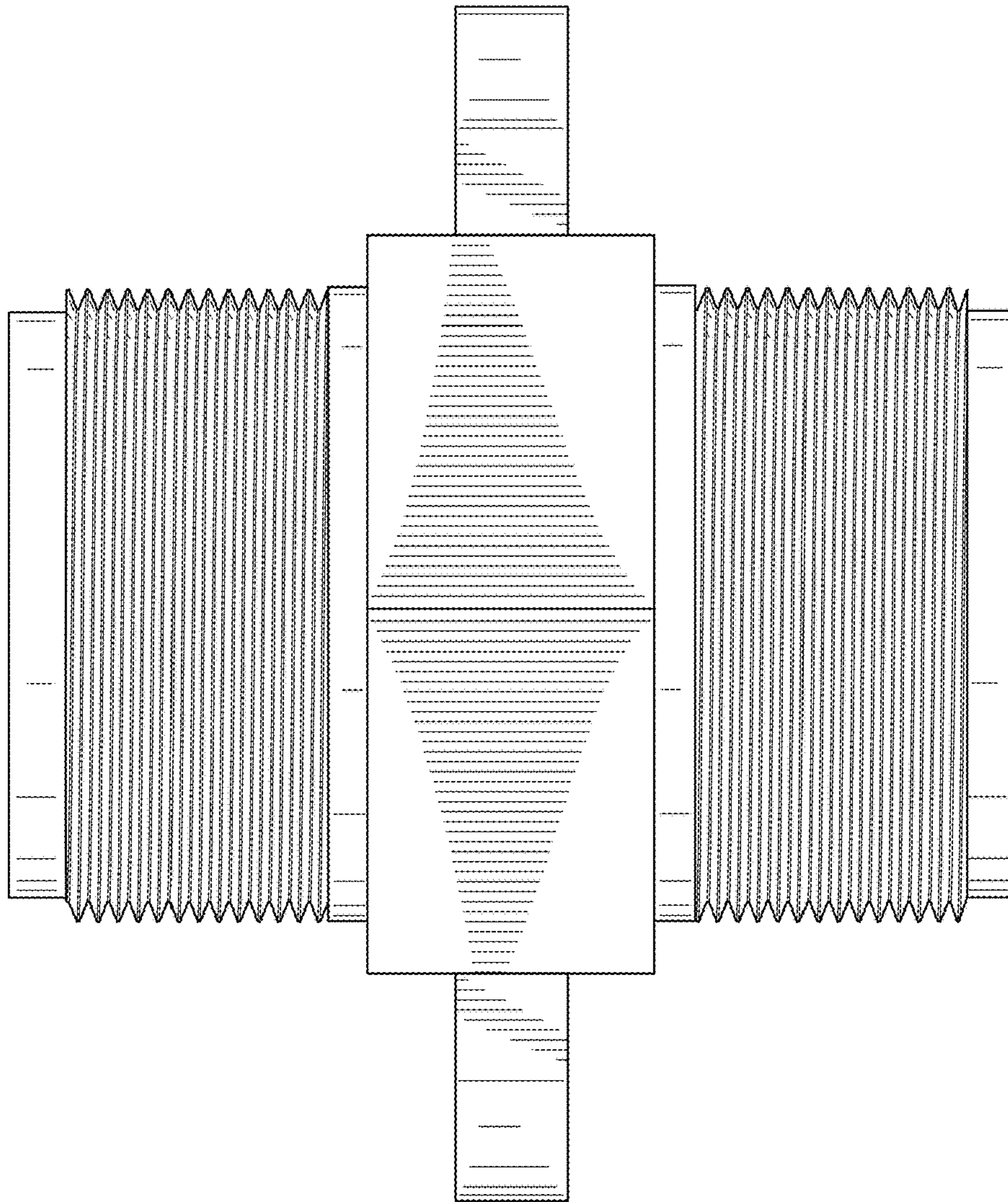
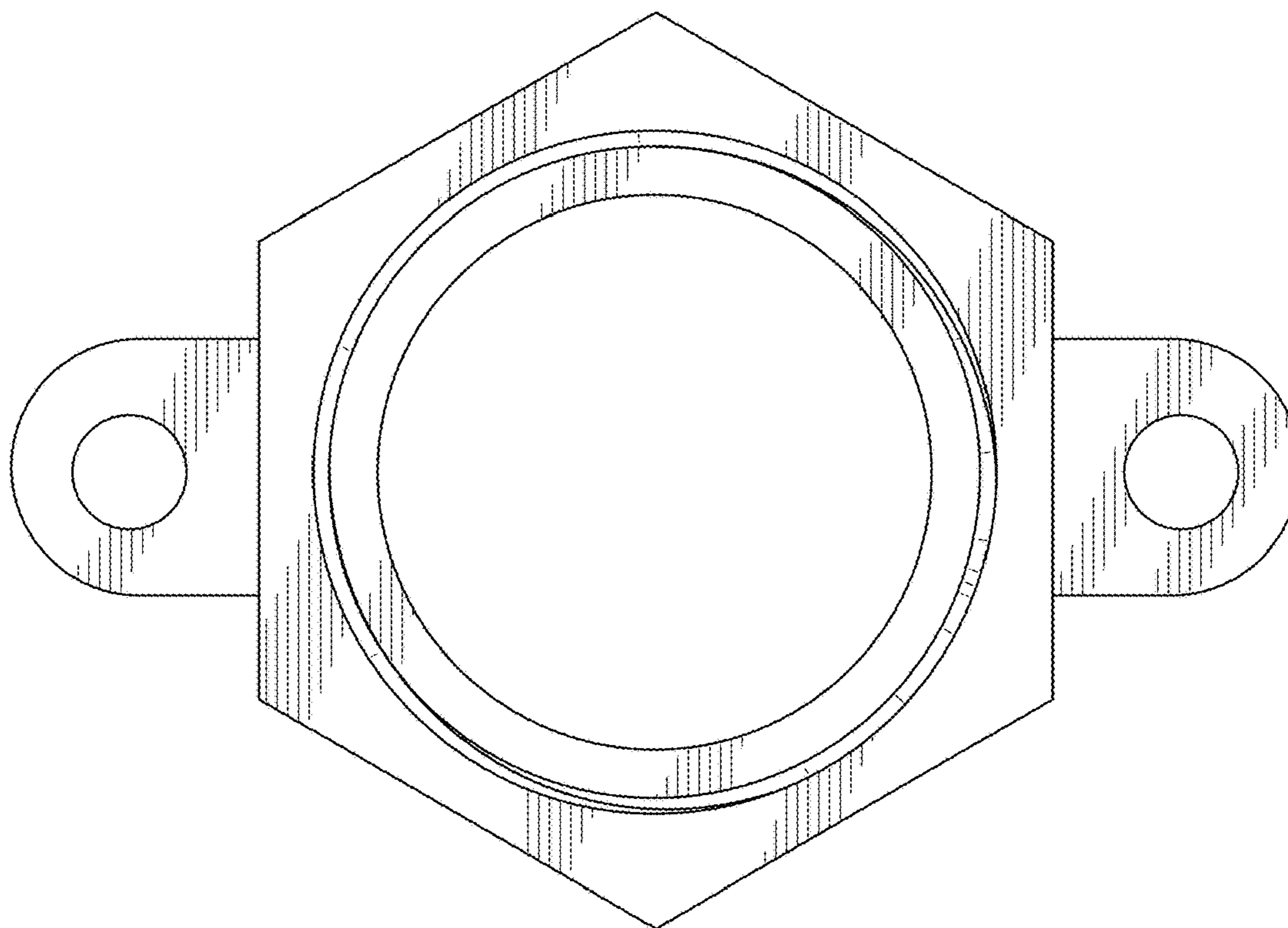


FIG. 3



**FIG. 4**