



US00D854914S

(12) **United States Design Patent** (10) **Patent No.:** **US D854,914 S**
Diez (45) **Date of Patent:** **** Jul. 30, 2019**

(54) **ARTICULATED JOINT FOR A CHAIR**

(71) Applicant: **TOPSTAR GmbH**, Langenneufnach (DE)

(72) Inventor: **Stefan Diez**, Munich (DE)

(73) Assignee: **TOPSTAR GMBH**, Langenneufnach (DE)

(**) Term: **15 Years**

(21) Appl. No.: **29/597,344**

(22) Filed: **Mar. 16, 2017**

(51) **LOC (11) Cl.** **08-05**

(52) **U.S. Cl.**
USPC **D8/354**

(58) **Field of Classification Search**
USPC D6/333, 708, 709, 715; D8/354
CPC A47C 4/20; A47C 1/022
See application file for complete search history.

(56) **References Cited**

U.S. PATENT DOCUMENTS

- 2,602,489 A * 7/1952 Holten A47C 1/0246
297/301.4
- 4,047,752 A * 9/1977 Rohr A47C 4/42
297/19
- 4,118,069 A * 10/1978 Hunter A47C 7/543
297/411.29
- 4,318,556 A * 3/1982 Rowland A47C 7/30
297/440.11
- 4,441,757 A * 4/1984 Gasca Burges A47C 5/10
108/115
- D416,778 S * 11/1999 Pitcher D8/330
- D456,627 S * 5/2002 Pearce D6/366
- D483,193 S * 12/2003 Goodworth D6/366
- 6,880,886 B2 * 4/2005 Bodnar A47C 7/28
297/285
- D505,578 S * 5/2005 Chen D6/333

- D505,812 S * 6/2005 McBrayer, Jr. D6/709
- D505,813 S * 6/2005 McBrayer, Jr. D6/708
- D552,368 S * 10/2007 Scheper D6/366
- D699,594 S * 2/2014 Bechyne B65D 15/00
D9/734
- D756,195 S * 5/2016 Shadley D8/323
- 9,867,466 B2 * 1/2018 Lovley, II A47C 4/286
- 2002/0005658 A1 * 1/2002 Piretti A47C 7/402
297/302.3
- 2012/0111751 A1 * 5/2012 Kryshak A47K 10/3818
206/389

OTHER PUBLICATIONS

d1-d2, posted at wagner-living.com, posting date Jan. 30, 2017, [online], [site visited Jun. 9, 2018]. Available from Internet, URL: <http://www.wagner-living.com/company/news/d1-d2> (Year: 2017).*

(Continued)

Primary Examiner — George D. Kirschbaum
Assistant Examiner — Maria J Edwards
(74) *Attorney, Agent, or Firm* — Cantor Colburn LLP

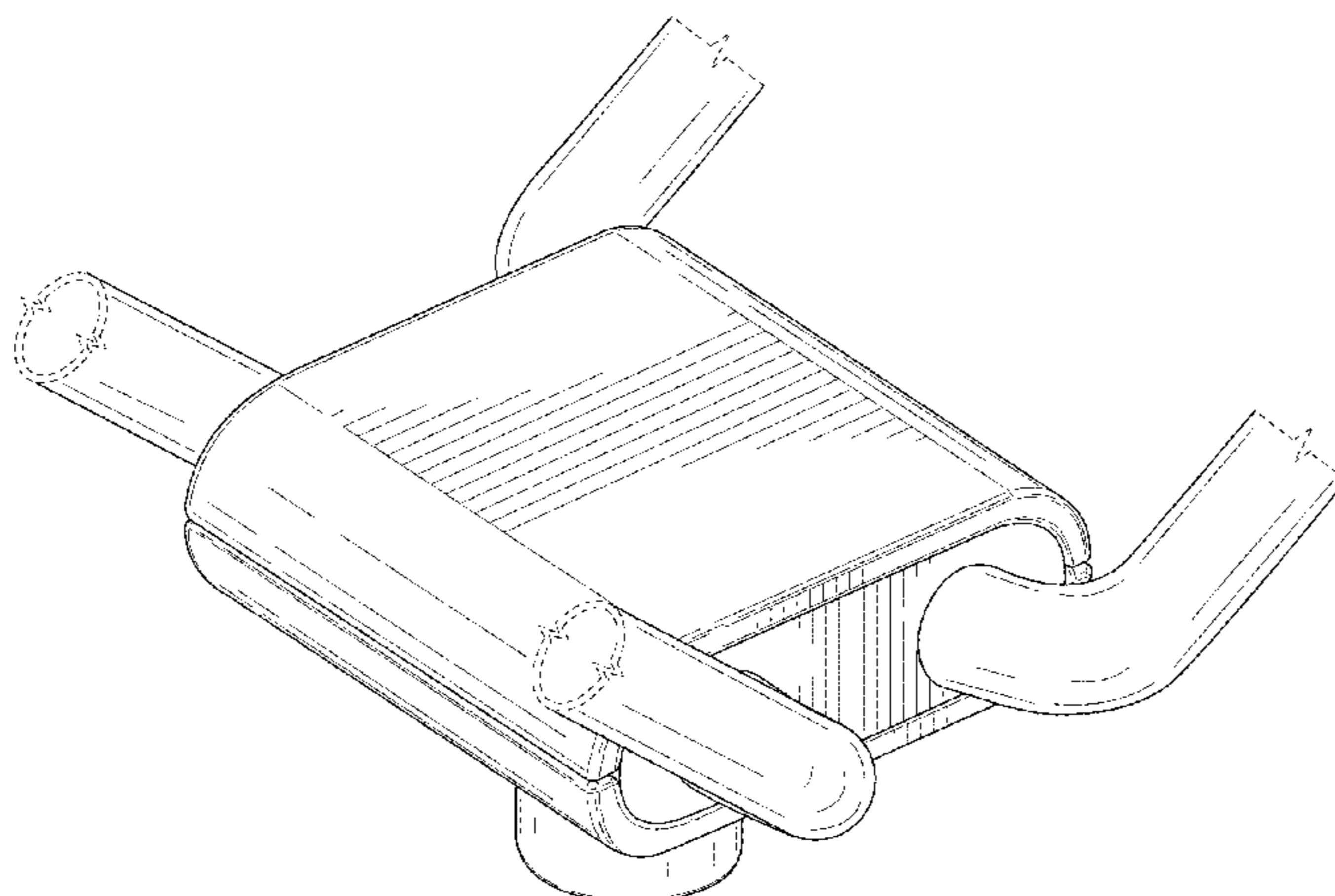
(57) **CLAIM**

I claim, the ornamental design for an articulated joint for a chair, as shown and described.

DESCRIPTION

FIG. 1 is a top and side perspective view of an articulated joint for a chair, showing my new design; FIG. 2 is a side view thereof; FIG. 3 is a top plan view thereof; FIG. 4 is a bottom plan view thereof; FIG. 5 is a front view thereof; and FIG. 6 is a side view thereof taken opposite of FIG. 2; and, FIG. 7 is a rear view thereof. Portions shown in broken lines illustrate environment and form no part of the claimed design.

1 Claim, 7 Drawing Sheets



(56)

References Cited

OTHER PUBLICATIONS

Dondola D1 office chair, posted at [designdaily.com.au](https://www.designdaily.com.au), posting date Feb. 2, 2017, [online], [site visited Jun. 9, 2018]. Available from Internet, URL: <https://www.designdaily.com.au/blog/2017/2/imm-cologne-2017-the-highlights> (Year: 2017).*

* cited by examiner

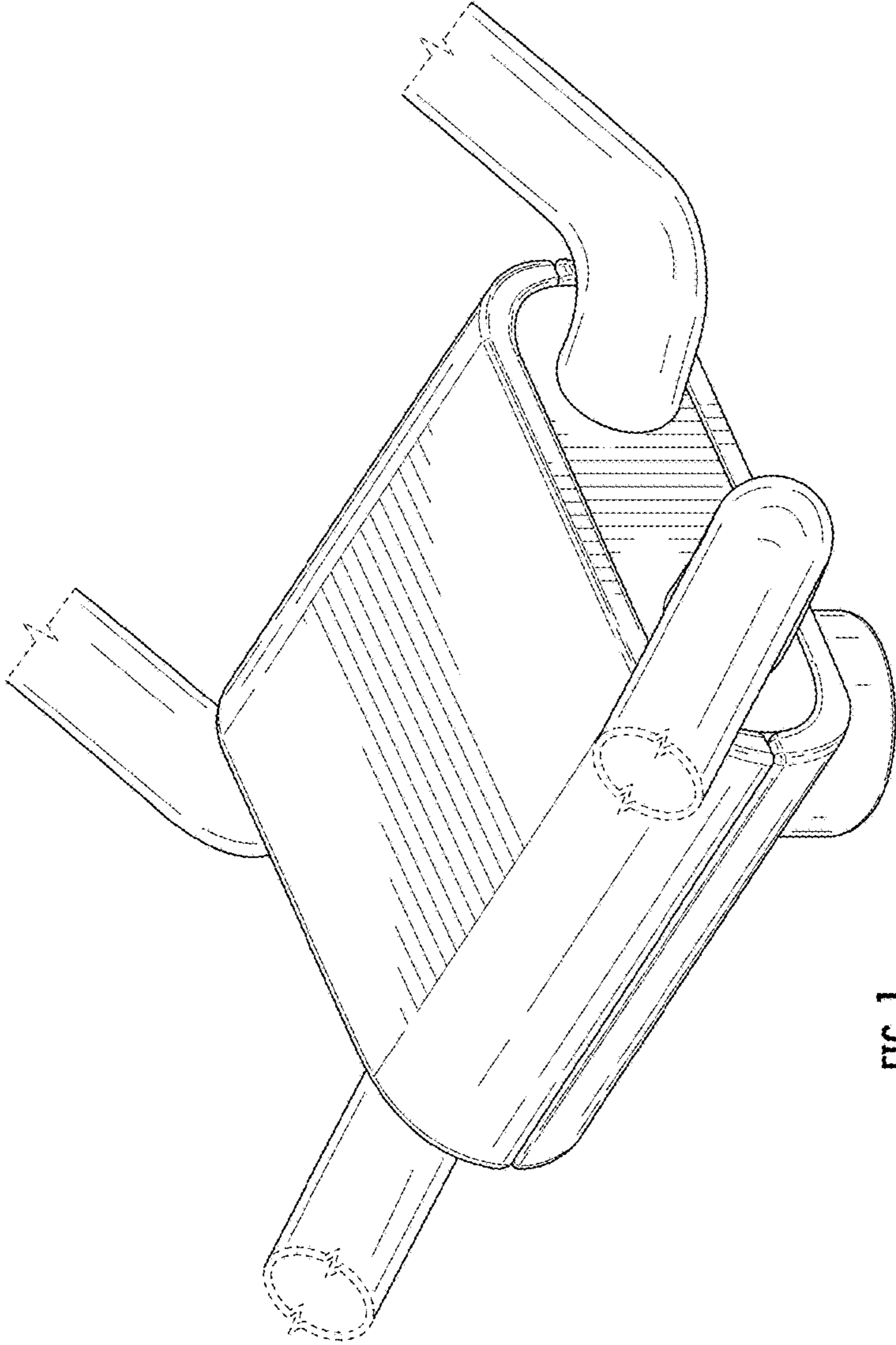


FIG. 1

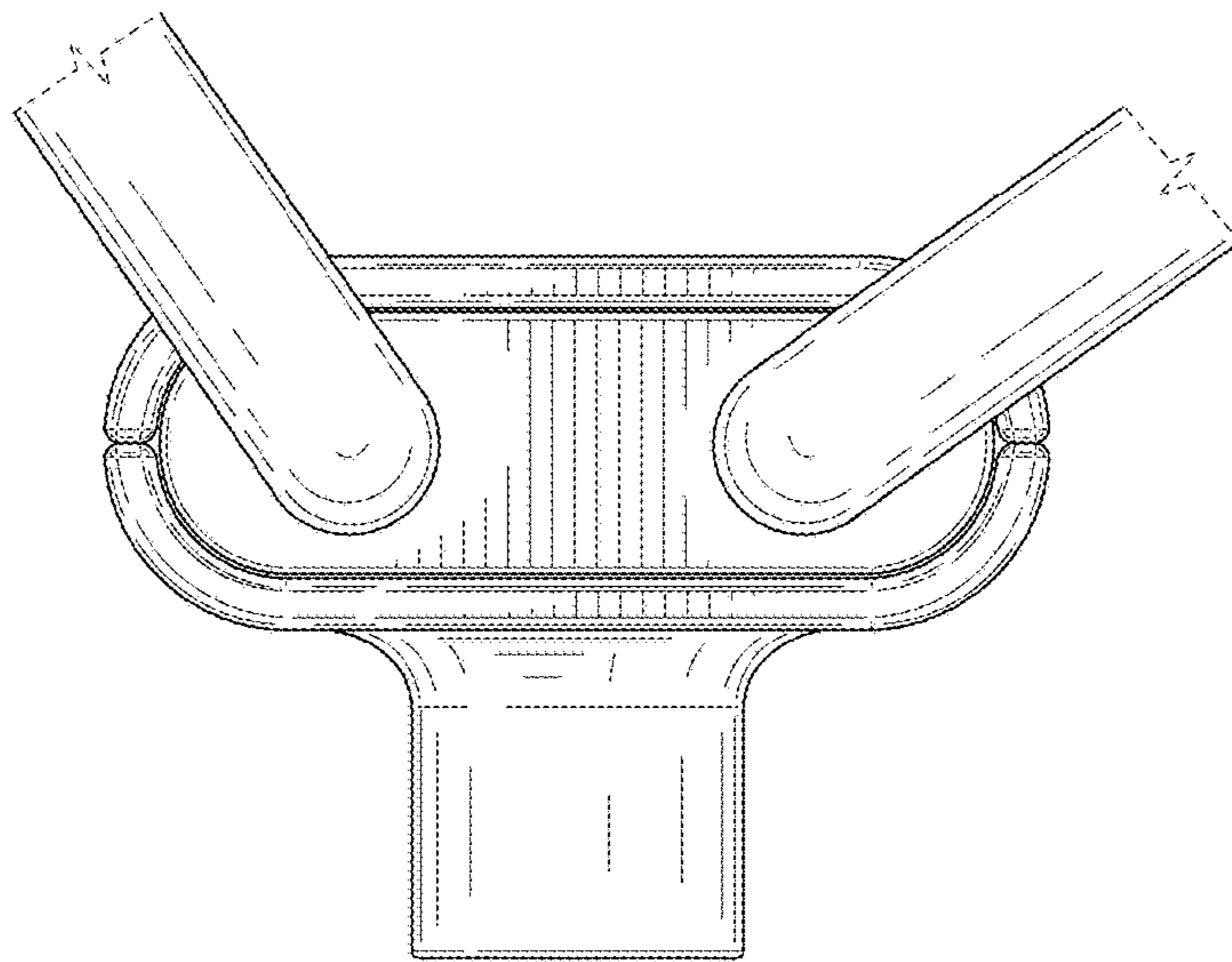


FIG. 2

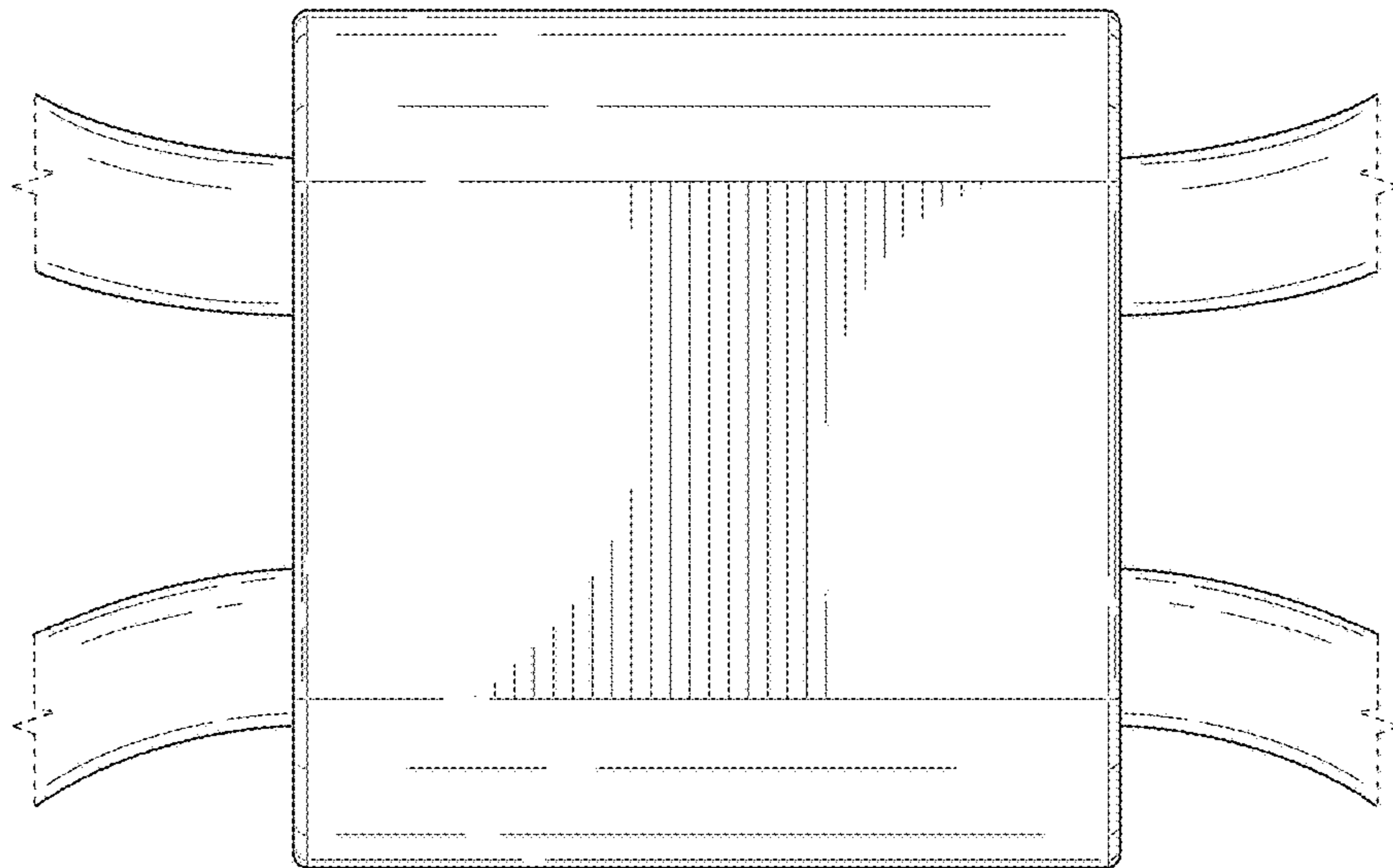


FIG. 3

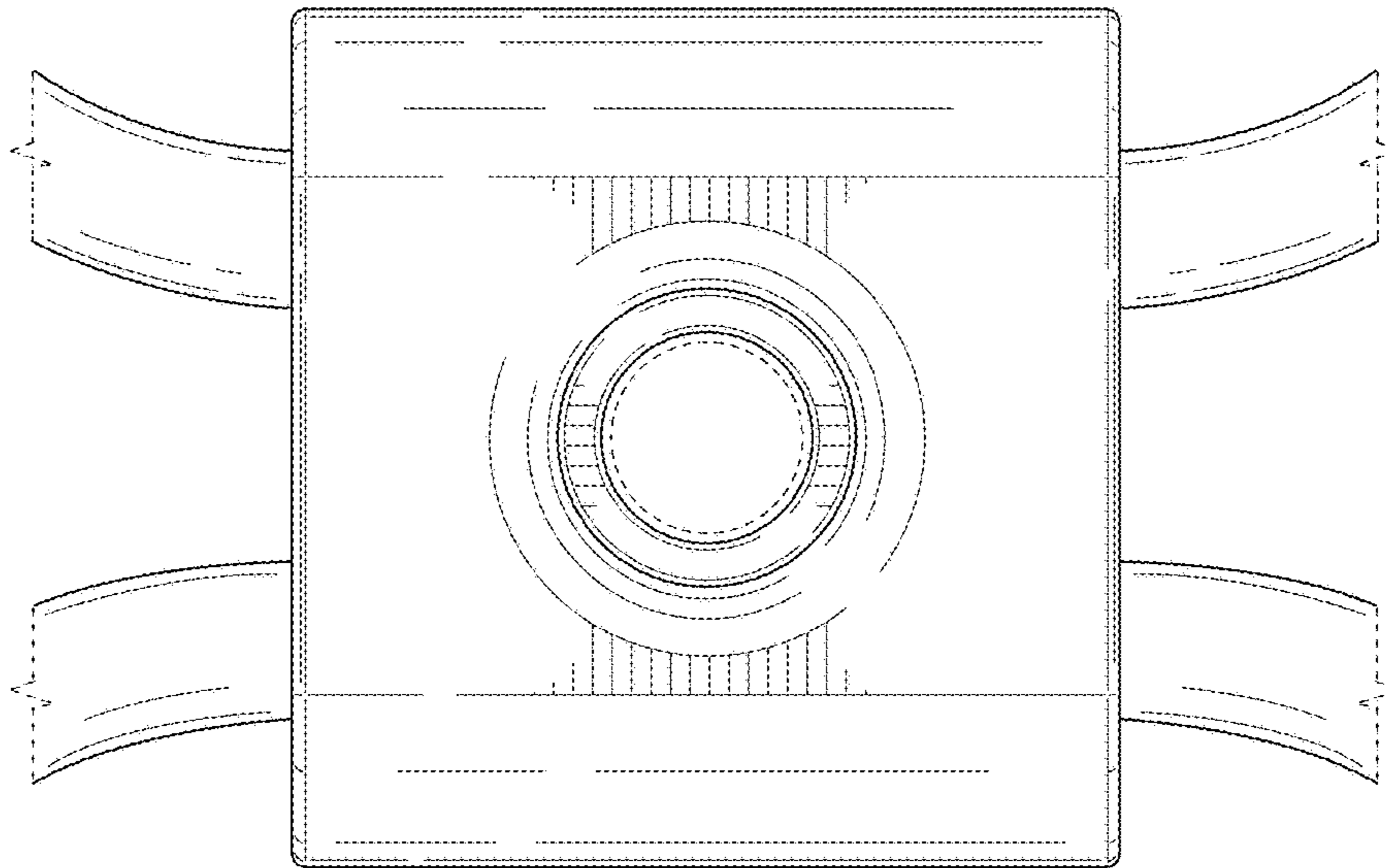


FIG. 4

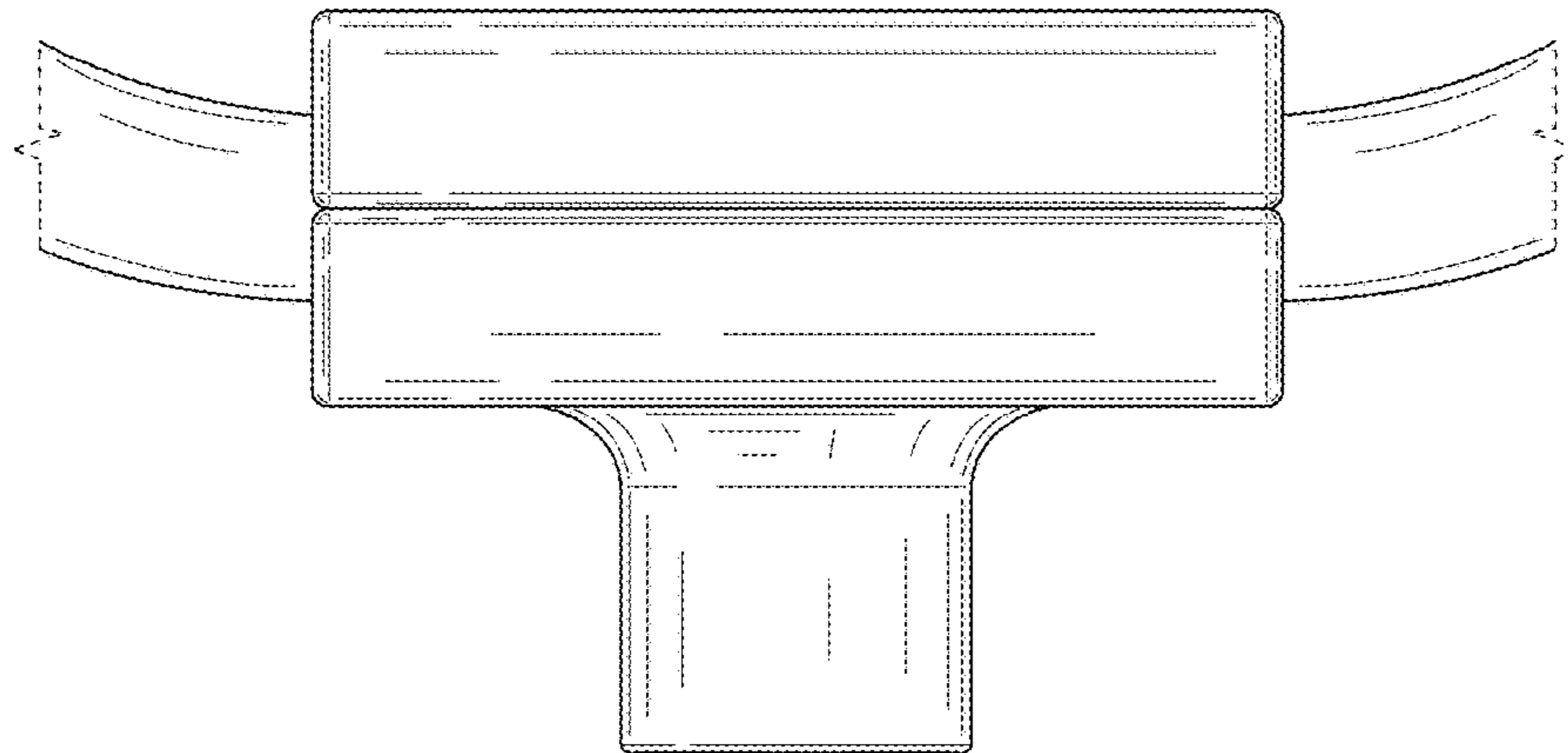


FIG. 5

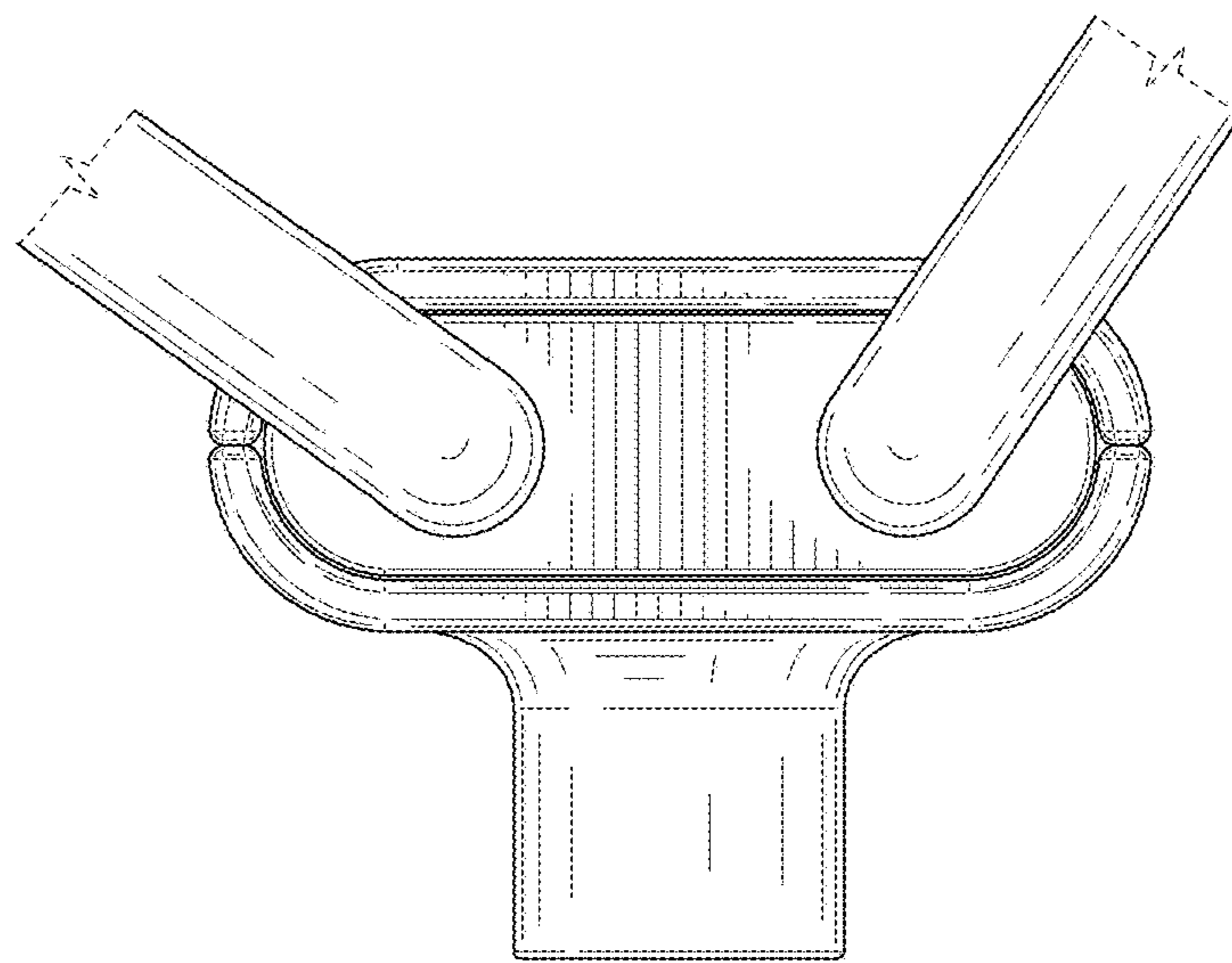


FIG. 6

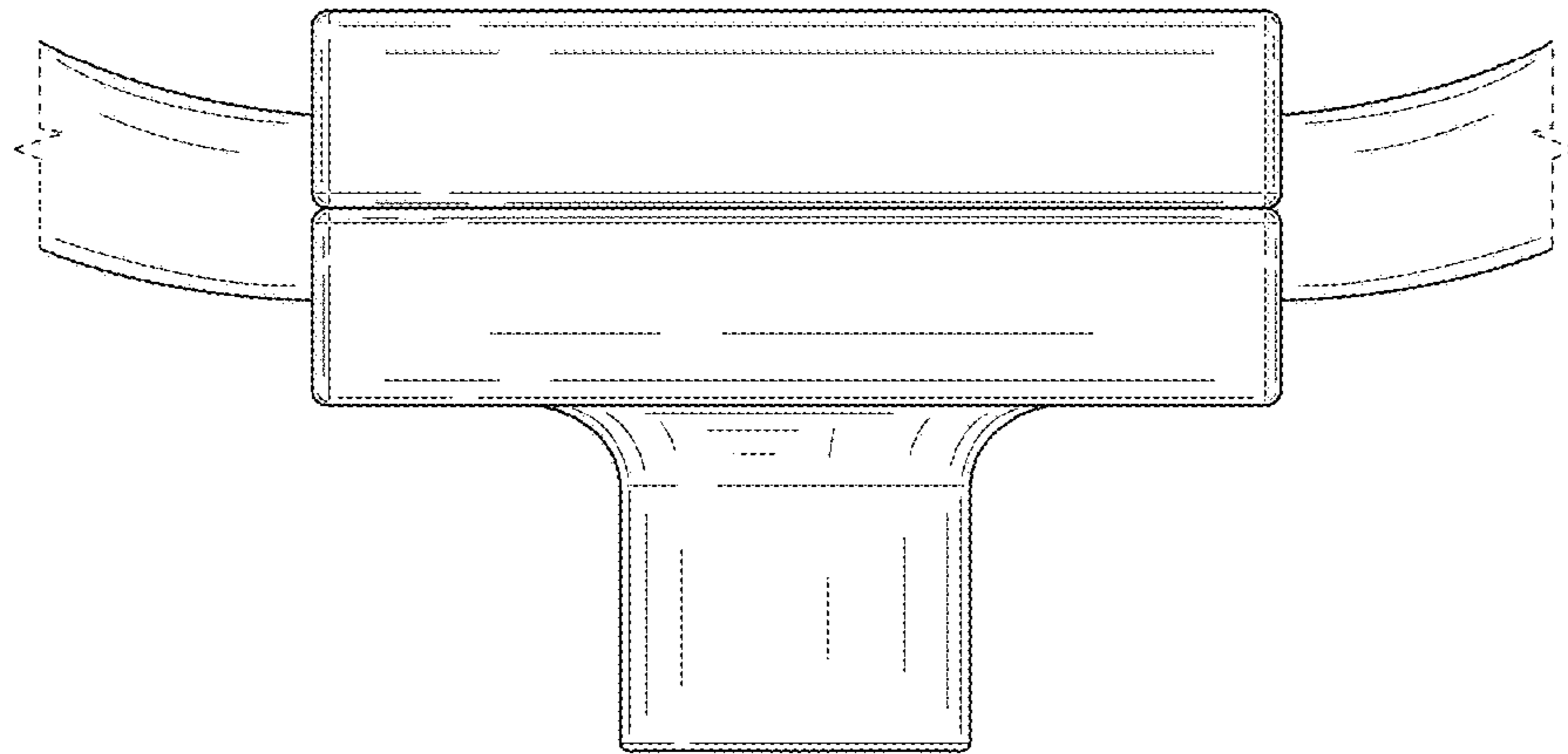


FIG. 7