

US00D854913S

(12) **United States Design Patent**
Cheng et al.

(10) **Patent No.:** **US D854,913 S**
(45) **Date of Patent:** **** Jul. 30, 2019**

(54) **FIXED FRAME**

FOREIGN PATENT DOCUMENTS

(71) Applicant: **AVer Information Inc.**, New Taipei (TW)

JP D1308142 S 8/2007
JP D1378792 S 2/2010
JP D1446126 S 7/2012

(72) Inventors: **Ming-Te Cheng**, New Taipei (TW);
Eric Chichian Yu, New Taipei (TW)

Primary Examiner — Mark A Goodwin
(74) *Attorney, Agent, or Firm* — CKC & Partners Co., LLC

(73) Assignee: **AVER INFORMATION INC.**, New Taipei (TW)

(**) Term: **15 Years**

(57) **CLAIM**

The ornamental design for a fixed frame, as shown and described.

(21) Appl. No.: **29/627,204**

(22) Filed: **Nov. 23, 2017**

DESCRIPTION

(30) **Foreign Application Priority Data**

Oct. 25, 2017 (TW) 106306272

(51) **LOC (11) Cl.** **08-08**

(52) **U.S. Cl.**
USPC **D8/349**

(58) **Field of Classification Search**

USPC D8/16, 19, 349, 354, 364, 366, 499, 380,
D8/381, 371, 373, 355, 382, 383, 394,
D8/396; D14/238, 238.1, 136, 239, 451;
111/11; D13/118, 149, 154
CPC .. A01C 7/00; A01C 7/046; A01C 7/12; A01C
7/127; A01C 19/00; B65G 29/00; A47B
2220/0036; E04B 1/26; E04B 1/38; E04B
1/2608; E04B 2001/2415; E04B
2001/2644; E04B 2001/405; E04B 7/045;
H02G 3/32; H16M 1/02; H16M 1/025;

(Continued)

FIG. 1 is a perspective view of a fixed frame showing our new design;

FIG. 2 is a front elevational view thereof;

FIG. 3 is a rear elevational view thereof;

FIG. 4 is a left side elevational view thereof;

FIG. 5 is a right side elevational view thereof;

FIG. 6 is a top plan view thereof;

FIG. 7 is a bottom plan view thereof;

FIG. 8 is another perspective view thereof;

FIG. 9 is a reference perspective view that shows the fixed frame coupled to an auxiliary frame in environmental use;

FIG. 10 is an another reference perspective view that shows the fixed frame coupled to the auxiliary frame in an another position in environmental use;

FIG. 11 is a further another reference perspective view that shows the fixed frame coupled to the auxiliary frame in a further another position in environmental use; and,

FIG. 12 is a still another reference perspective view that shows the fixed frame coupled to the auxiliary frame in a still another position in environmental use.

The broken lines in the drawings illustrate portions of the fixed frame which form no part of the claimed design. The dot-dash lines in FIGS. 9-12 illustrate the auxiliary frame which is an environmental structure and forms no part of the claimed design.

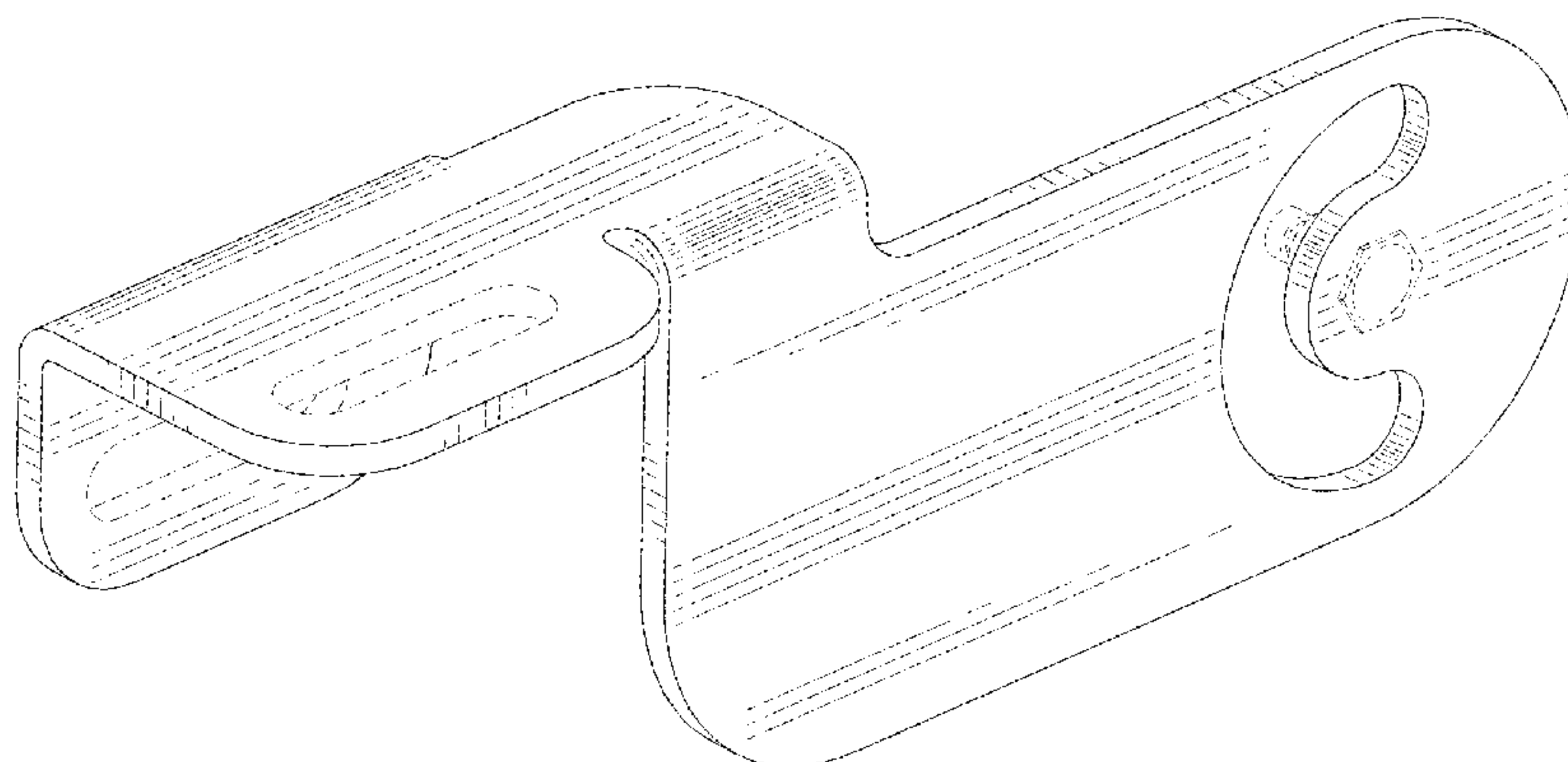
(56) **References Cited**

U.S. PATENT DOCUMENTS

D274,978 S * 8/1984 Preisler D8/349
4,714,219 A * 12/1987 Mayse F16L 3/08
248/65

(Continued)

1 Claim, 12 Drawing Sheets



(58) **Field of Classification Search**

CPC . B60P 7/0892; B63B 25/28; B63B 2025/285;
H05K 5/0204; F21V 21/02; F21S 8/00
See application file for complete search history.

(56) **References Cited**

U.S. PATENT DOCUMENTS

D324,990	S	*	3/1992	Gary	D26/138
D373,074	S	*	8/1996	Miyashita	D8/382
D373,075	S	*	8/1996	Miyashita	D8/382
D576,763	S	*	9/2008	Hartman	D26/138
D660,132	S	*	5/2012	Yoder	D8/354
D660,133	S	*	5/2012	Yoder	D8/354
D674,682	S	*	1/2013	Shea	D8/373
D752,954	S	*	4/2016	Lax	D8/354
D784,113	S	*	4/2017	Rago	D8/354
D784,114	S	*	4/2017	Rago	D8/354
D784,115	S	*	4/2017	Rago	D8/354
D796,938	S	*	9/2017	Rago	D8/354
D836,674	S	*	12/2018	Paddock	D15/5
2011/0226830	A1	*	9/2011	West, Jr.	B60R 19/48 224/539

* cited by examiner

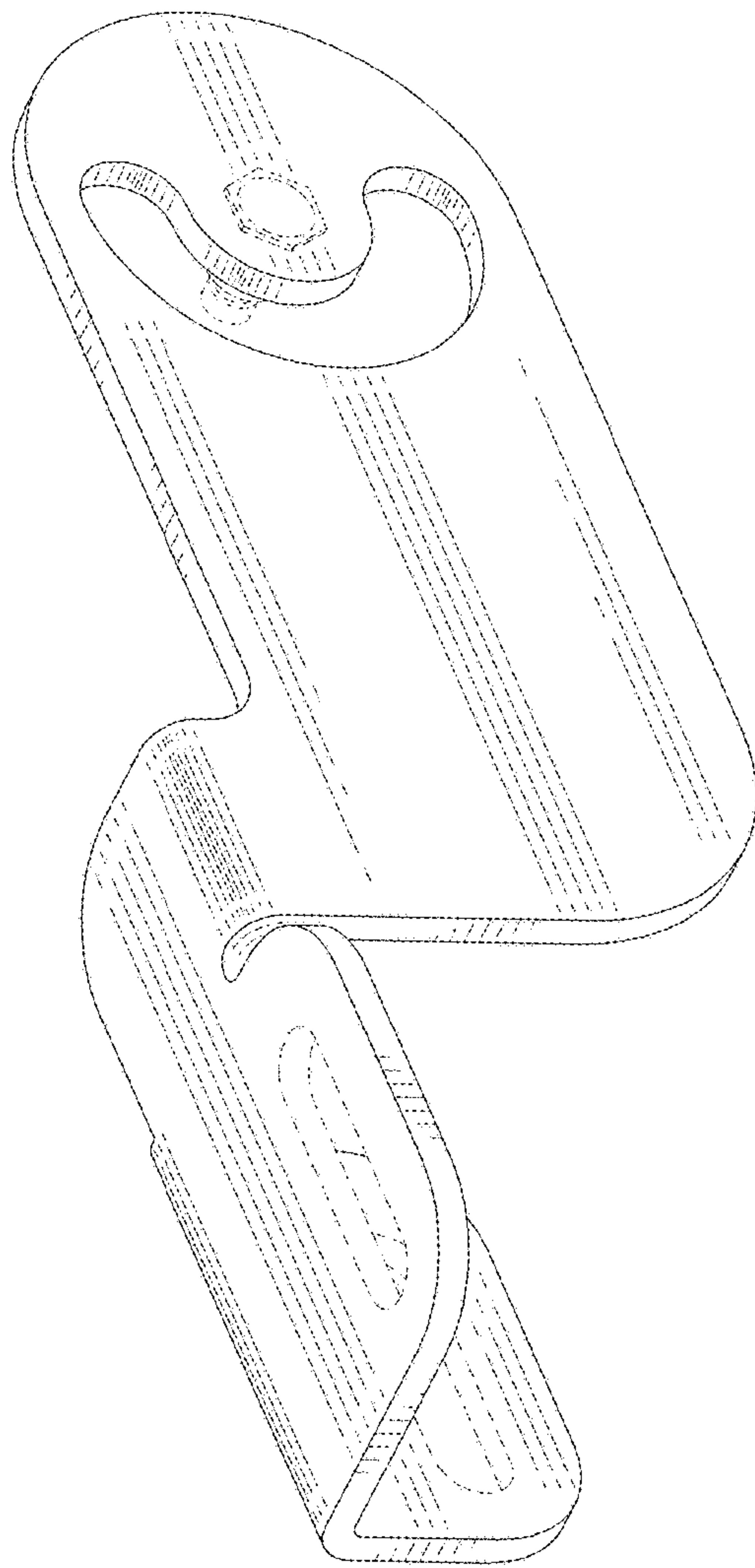


Fig. 1

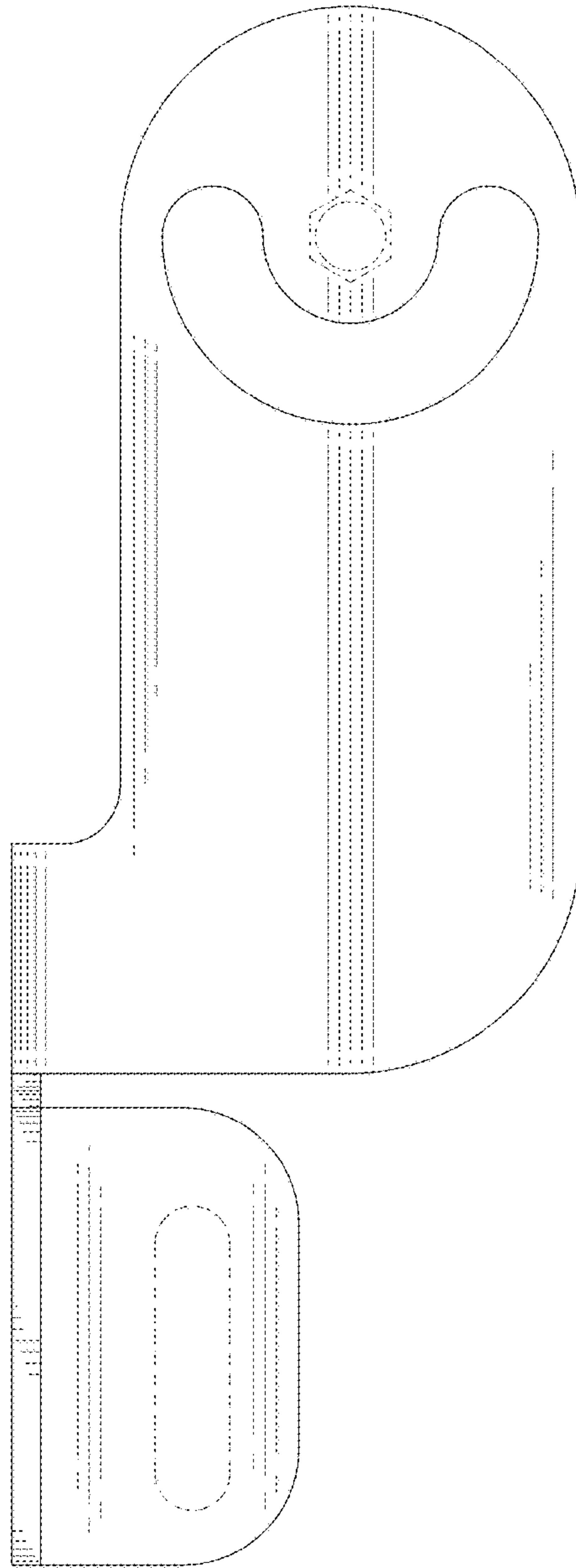


Fig. 2

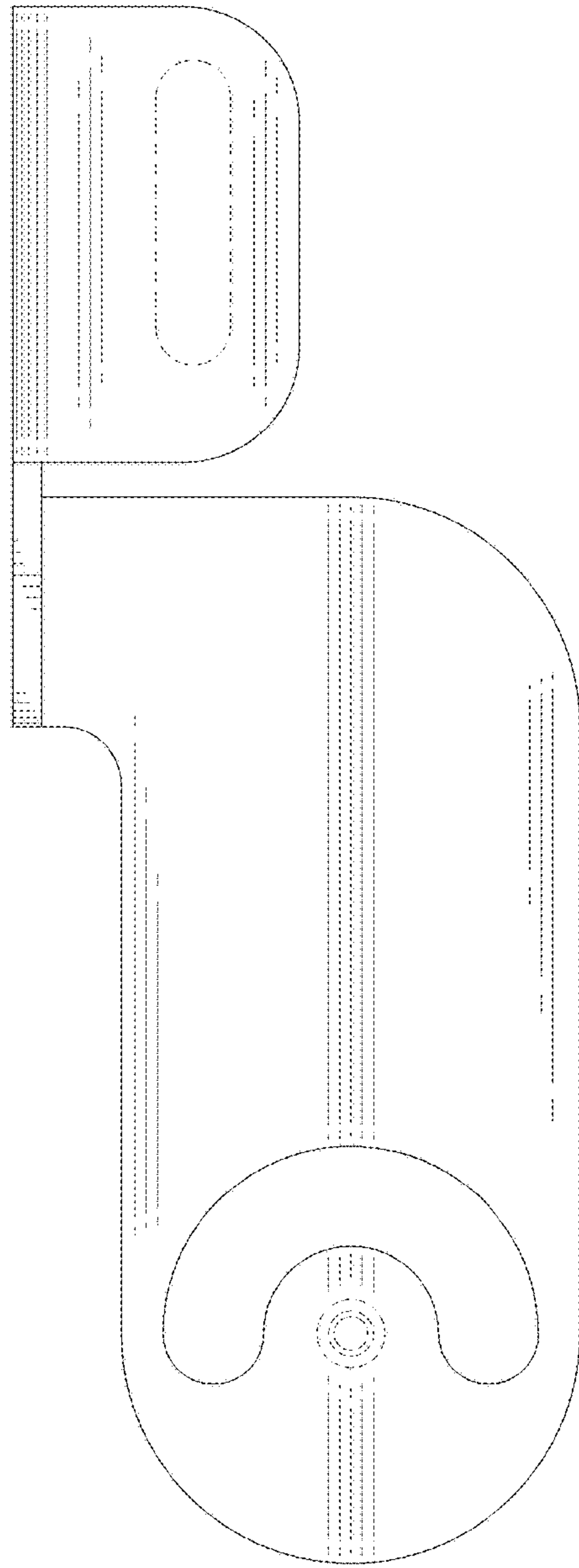


Fig. 3

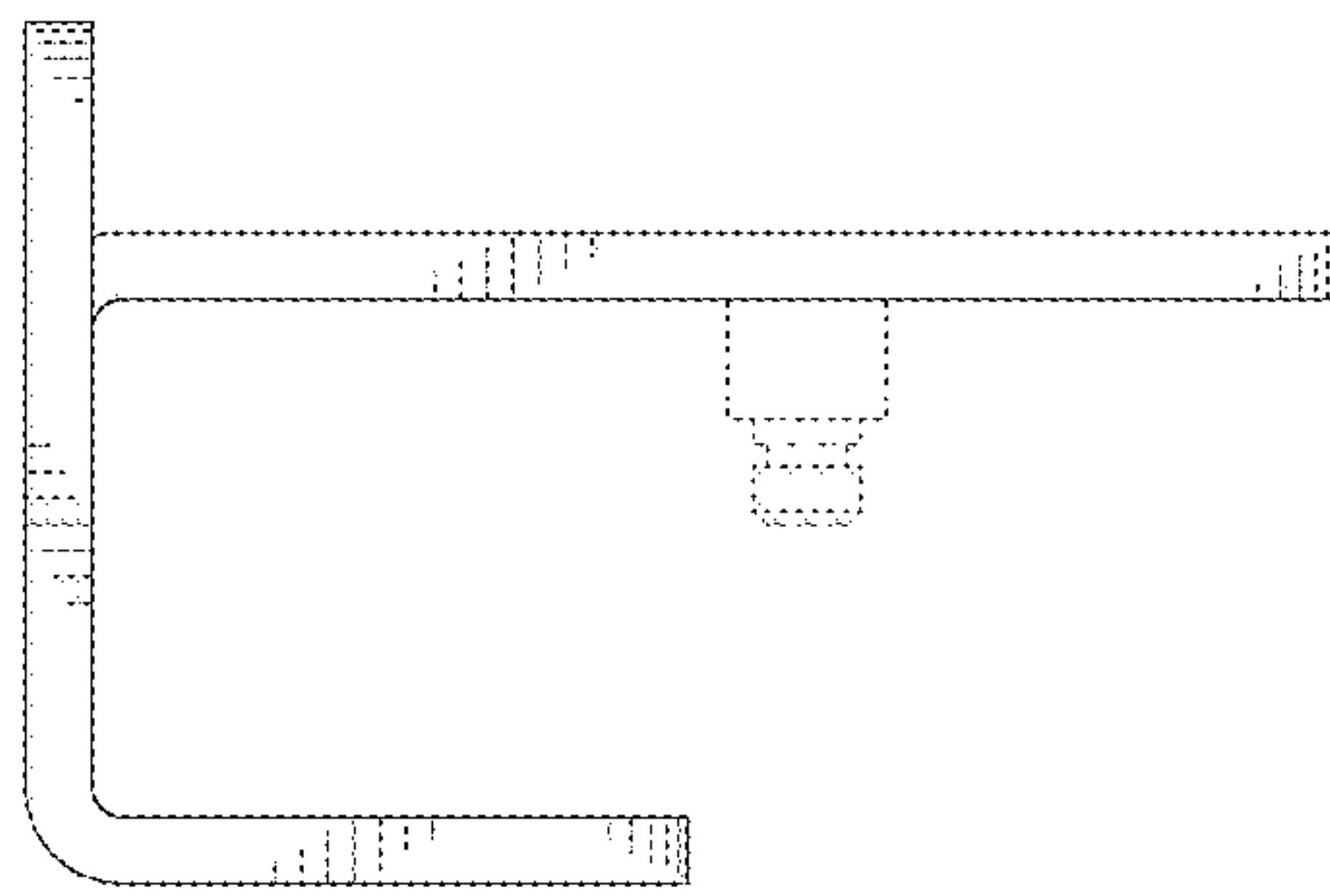


Fig. 4

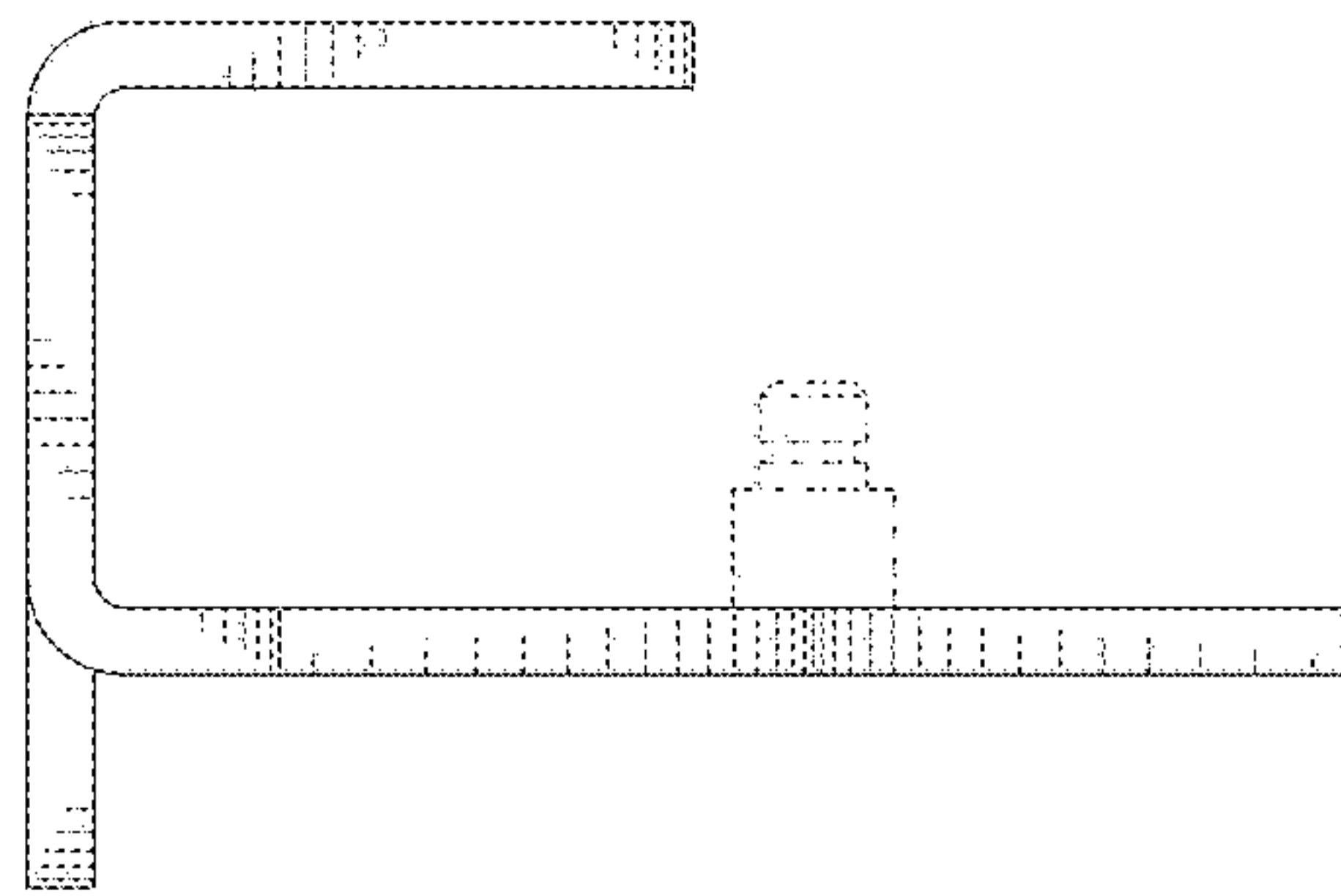


Fig. 5

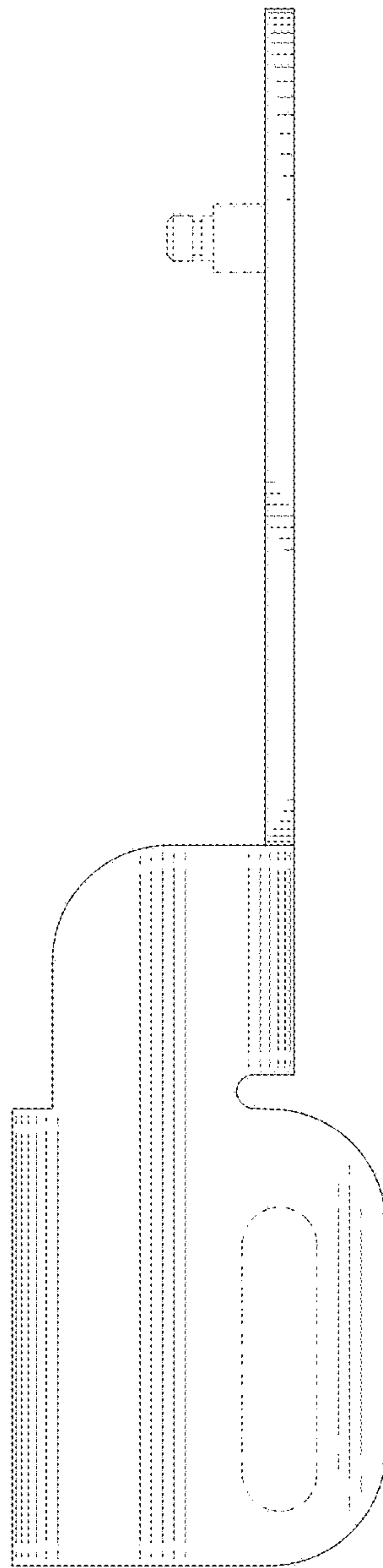


Fig. 6

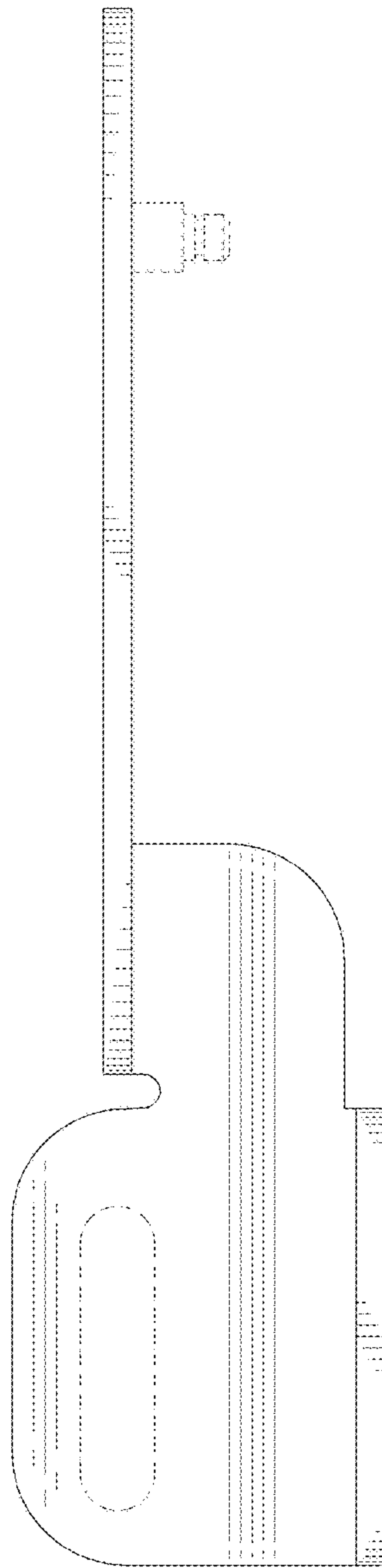


Fig. 7

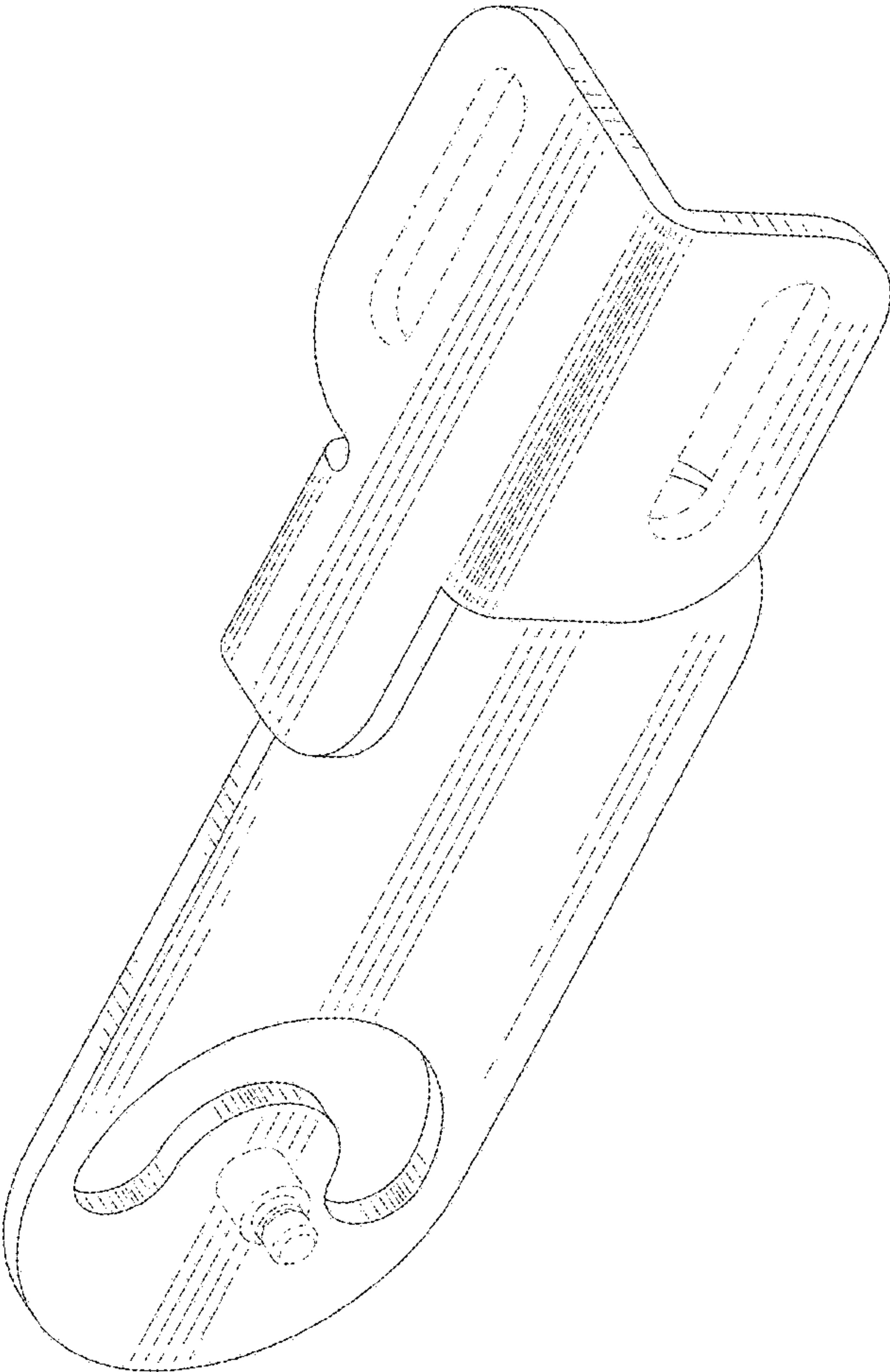


Fig. 8

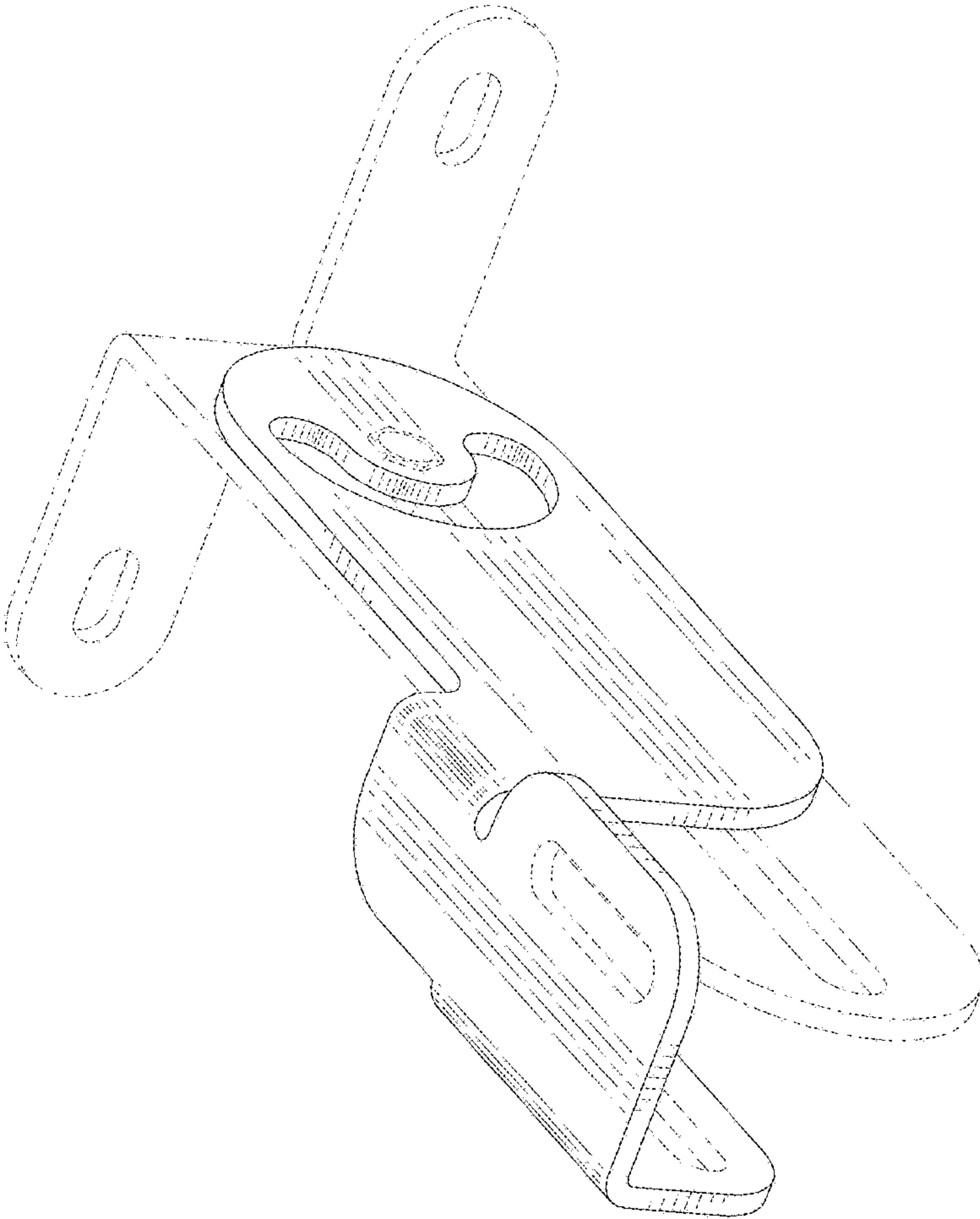


Fig. 9

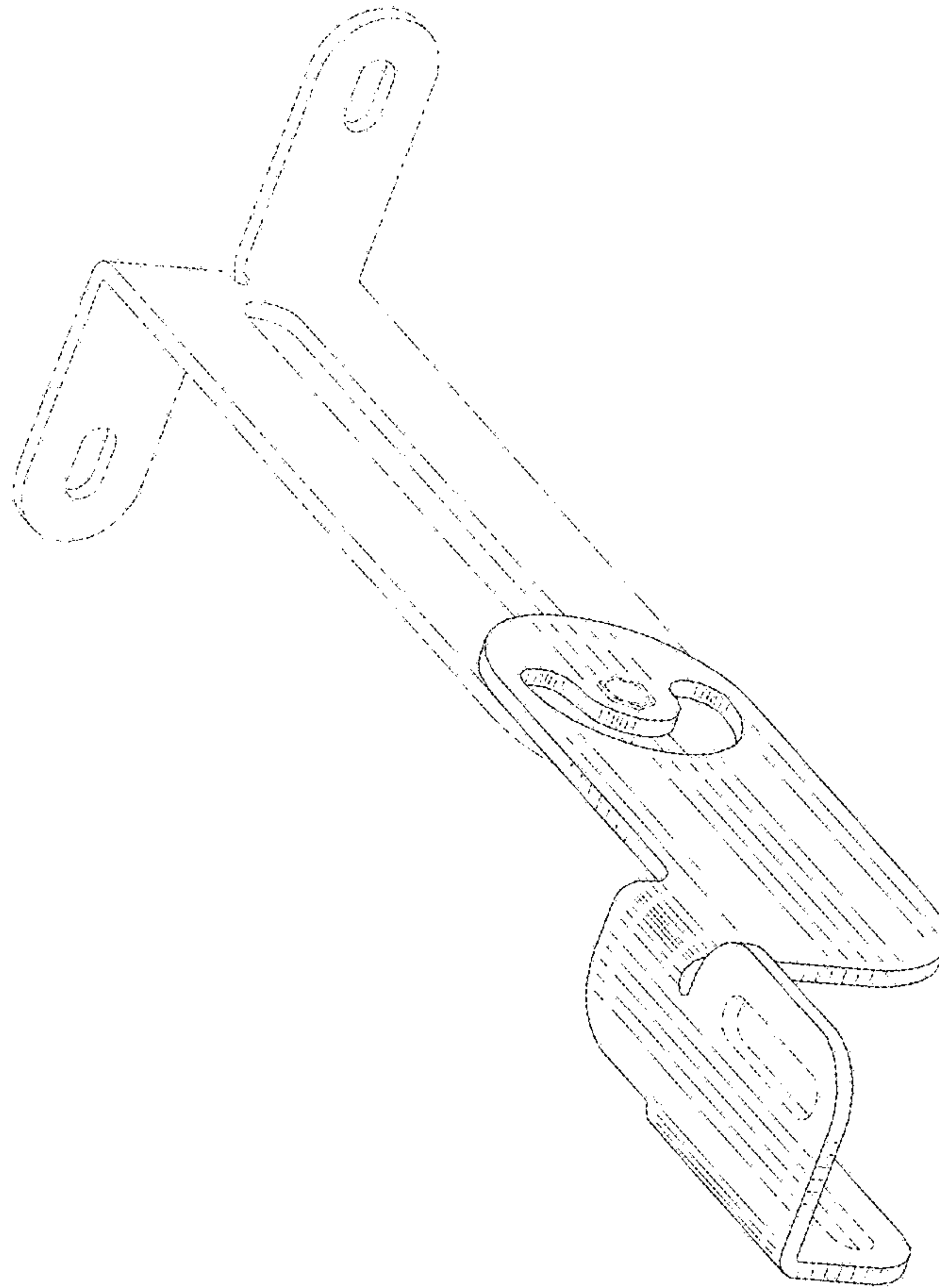


Fig. 10

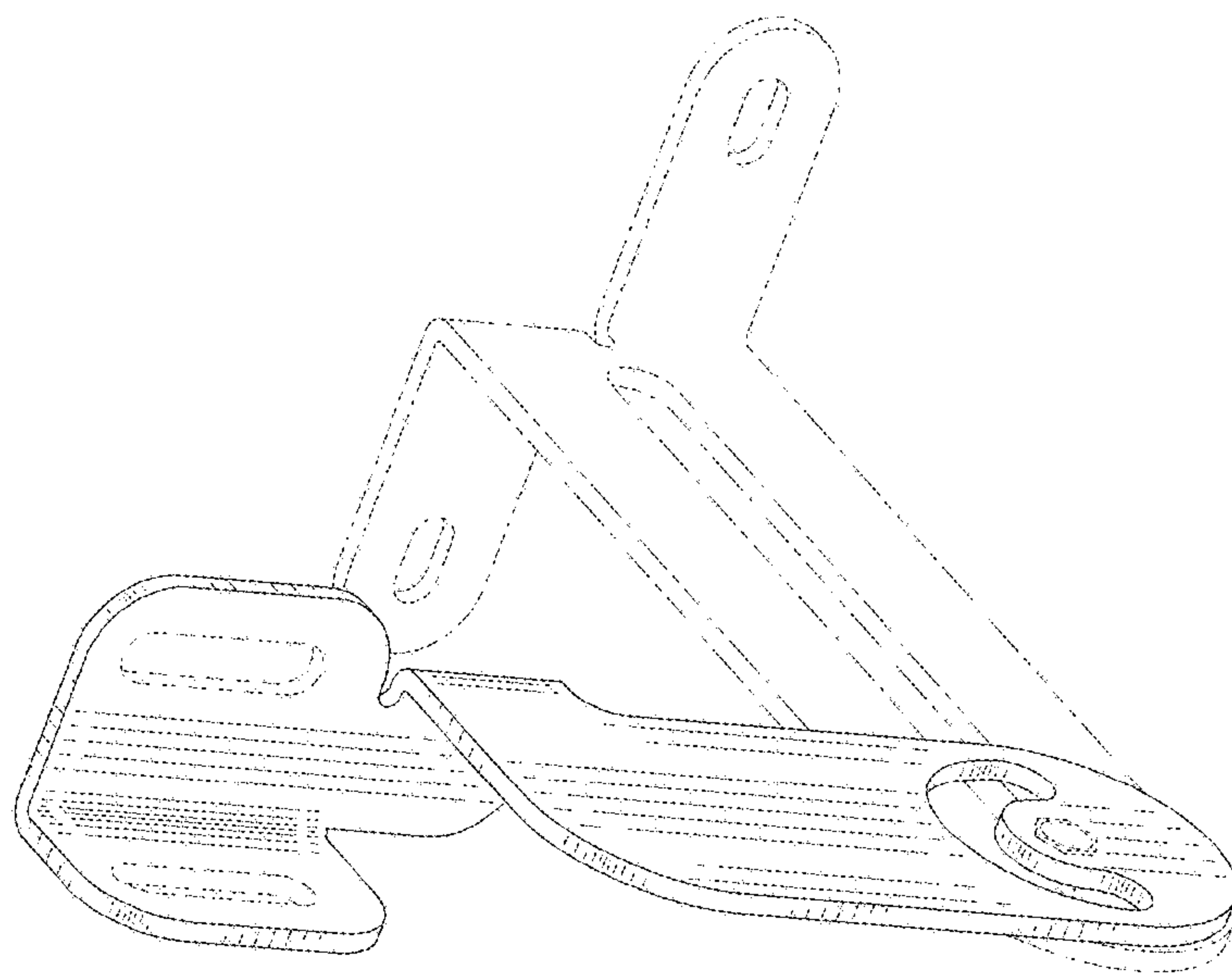


Fig. 11

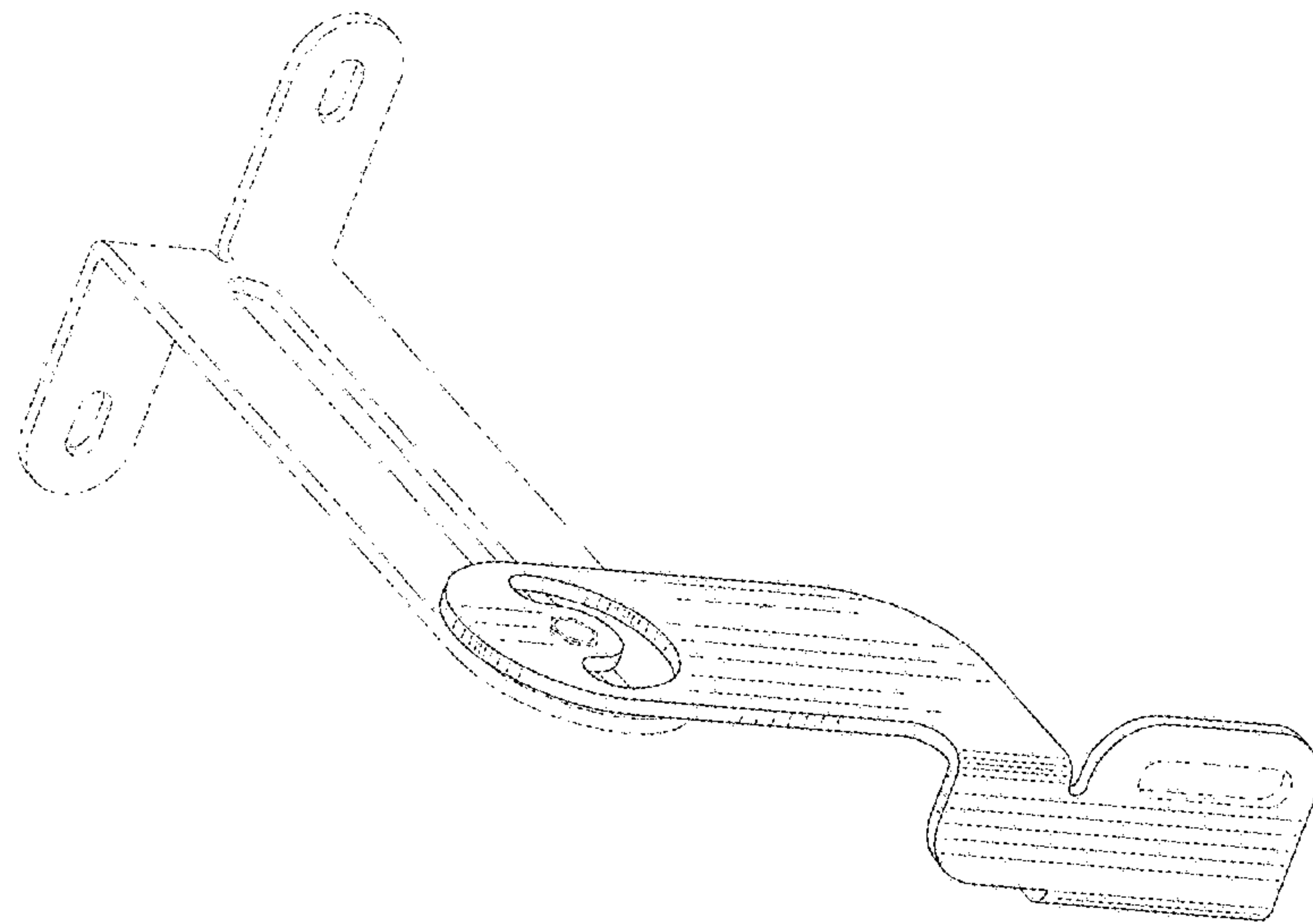


Fig. 12