



US00D854911S

(12) **United States Design Patent** (10) **Patent No.:** **US D854,911 S**
Kingsbury (45) **Date of Patent:** **** *Jul. 30, 2019**

- (54) **CUBE SAFETY LATCH LOCK**
- (71) Applicant: **Alan Kingsbury**, Campbellsville, KY (US)
- (72) Inventor: **Alan Kingsbury**, Campbellsville, KY (US)
- (*) Notice: This patent is subject to a terminal disclaimer.
- (**) Term: **15 Years**
- (21) Appl. No.: **29/624,191**
- (22) Filed: **Oct. 30, 2017**
- (51) **LOC (11) Cl.** **08-07**
- (52) **U.S. Cl.**
USPC **D8/331**
- (58) **Field of Classification Search**
USPC D8/300-302, 330, 331, 334, 343, 346, D8/350; 292/348, 350, 357, 262, 277; 70/20-22, 57, 57.1, 283-286, 314
CPC E05C 17/00; E05C 17/04; E05C 17/16; E05C 19/18; E05B 15/0205; E05B 17/2023; E05B 47/00; E05B 1/00; E05B 3/00
See application file for complete search history.

(56) **References Cited**

U.S. PATENT DOCUMENTS

D319,775 S *	9/1991	MacFarlane	D8/331
D600,999 S *	9/2009	Minnich	D8/341
9,309,702 B2 *	4/2016	Hwang	E05C 17/166
9,346,341 B2 *	5/2016	Ziegler	E05C 17/203
9,487,975 B2 *	11/2016	Daniels	E05B 13/04
D778,990 S *	2/2017	Kujawski	D14/401
D779,908 S *	2/2017	Le	D8/306
9,598,890 B1 *	3/2017	Hooton	E05F 5/06

D784,986 S *	4/2017	Kujawski	D14/401
D790,949 S *	7/2017	Aerts	D8/330
D824,024 S *	7/2018	Eaton	D24/128
2004/0007883 A1 *	1/2004	Laufer	E05B 19/20 292/262
2005/0052035 A1 *	3/2005	Yamashita	E05C 17/166 292/262
2014/0327251 A1 *	11/2014	Brinton	E05C 17/166 292/277
2015/0097381 A1 *	4/2015	Hwang	E05C 17/166 292/262
2017/0335599 A1 *	11/2017	Casternovia	E05B 17/2023

* cited by examiner

Primary Examiner — Ian Simmons
Assistant Examiner — Yolanda Robinson
(74) *Attorney, Agent, or Firm* — Francis Law Firm PLLC; James M. Francis

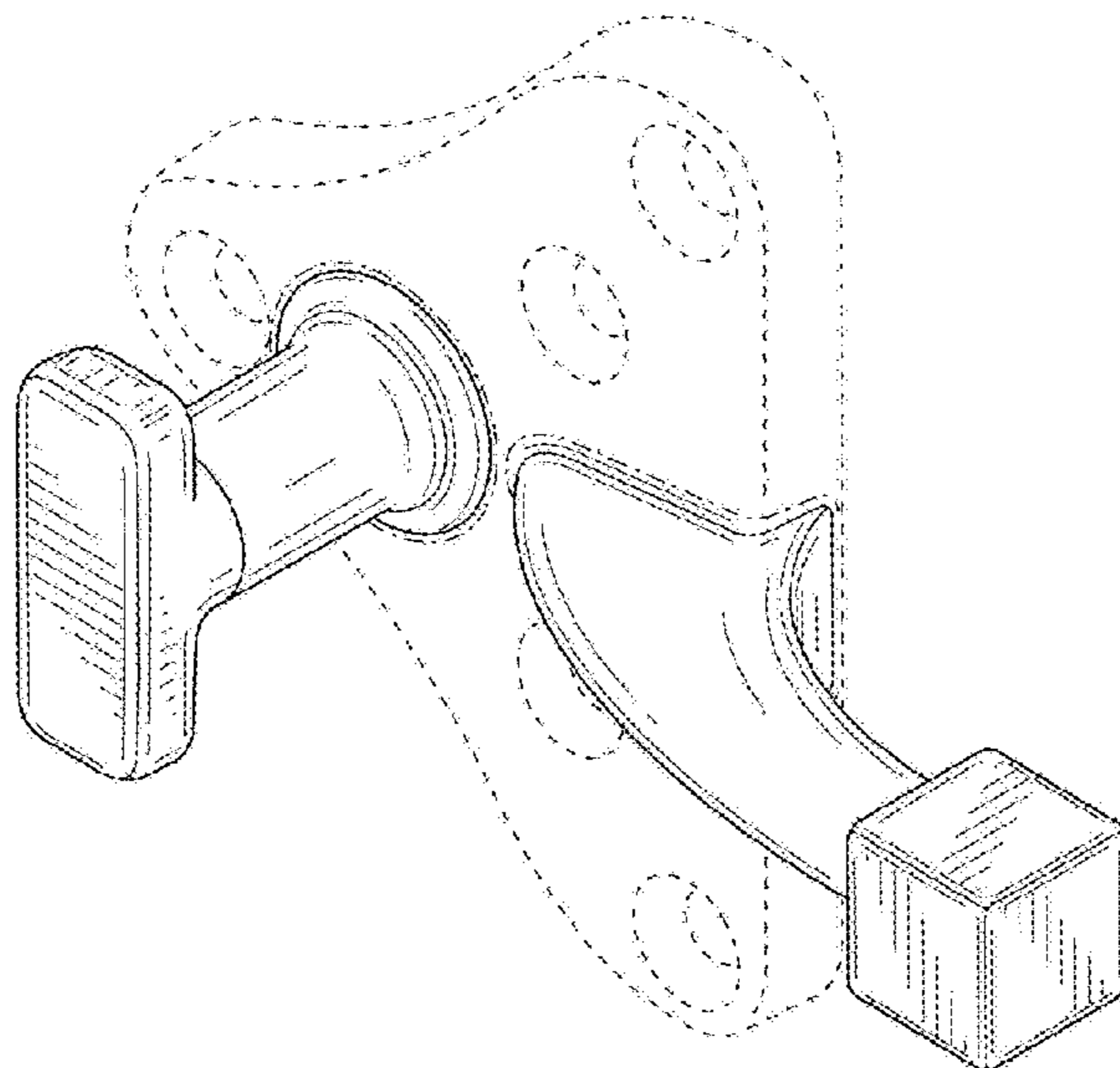
(57) **CLAIM**

I claim the ornamental design for a cube safety latch lock, as shown and described.

DESCRIPTION

FIG. 1 is a right side anterior perspective view of a cube safety latch lock.
FIG. 2 is an anterior view of a cube safety latch lock.
FIG. 3 is a posterior view of a cube safety latch lock.
FIG. 4 is top view of a cube safety latch lock.
FIG. 5 is a bottom view of a cube safety latch lock.
FIG. 6 is a left side view of a cube safety latch lock; and,
FIG. 7 is a right side view of a cube safety latch lock.
The dash dot dash lines shown in FIGS. 1-2 and 7 that are immediately adjacent to the shaded area are the boundary of the claimed design. The dash dash broken lines shown in FIGS. 1-7 are for the purpose of illustrating an environment. None of the broken lines form any part of the claimed design.

1 Claim, 6 Drawing Sheets



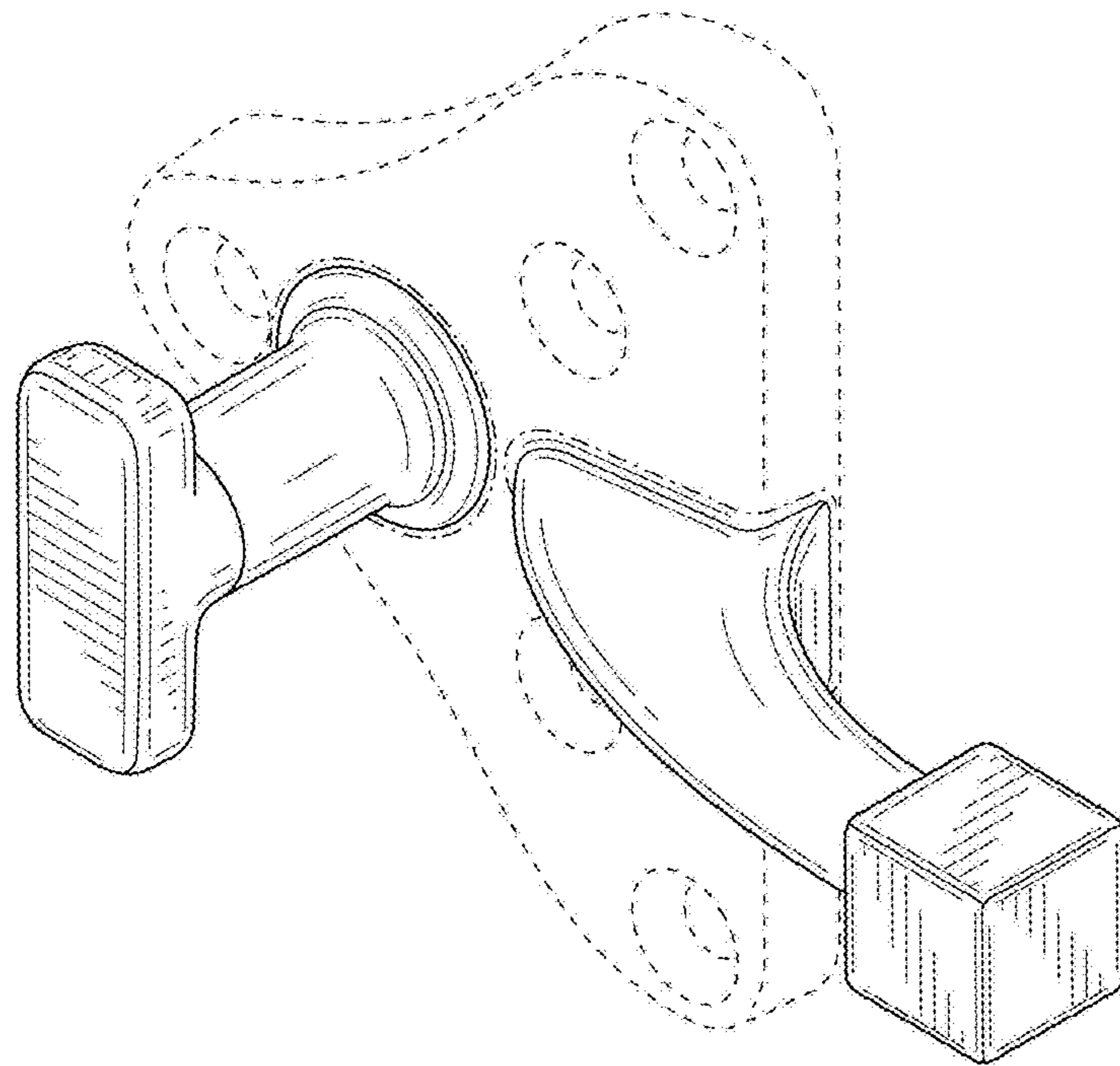


FIG. 1

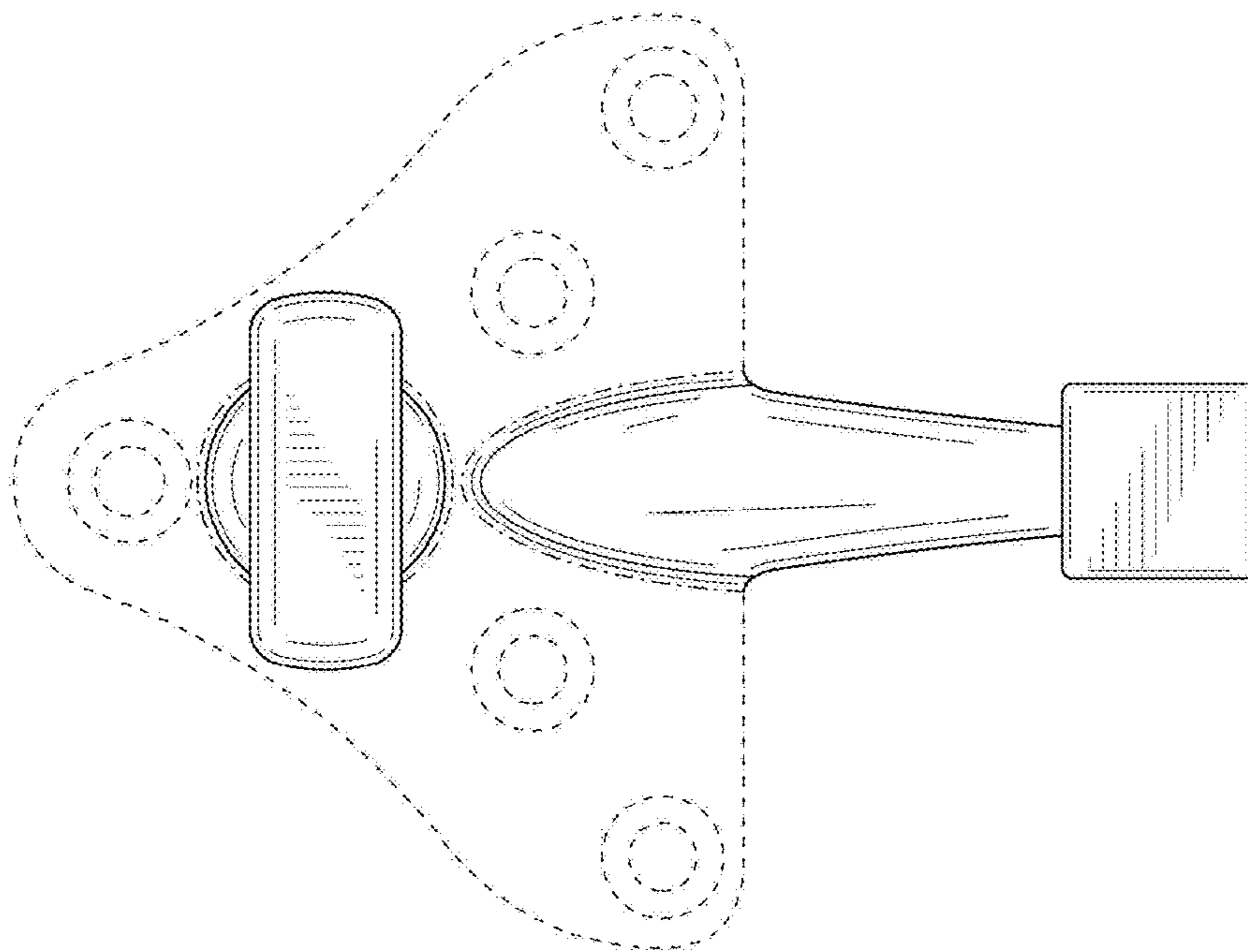


FIG. 2

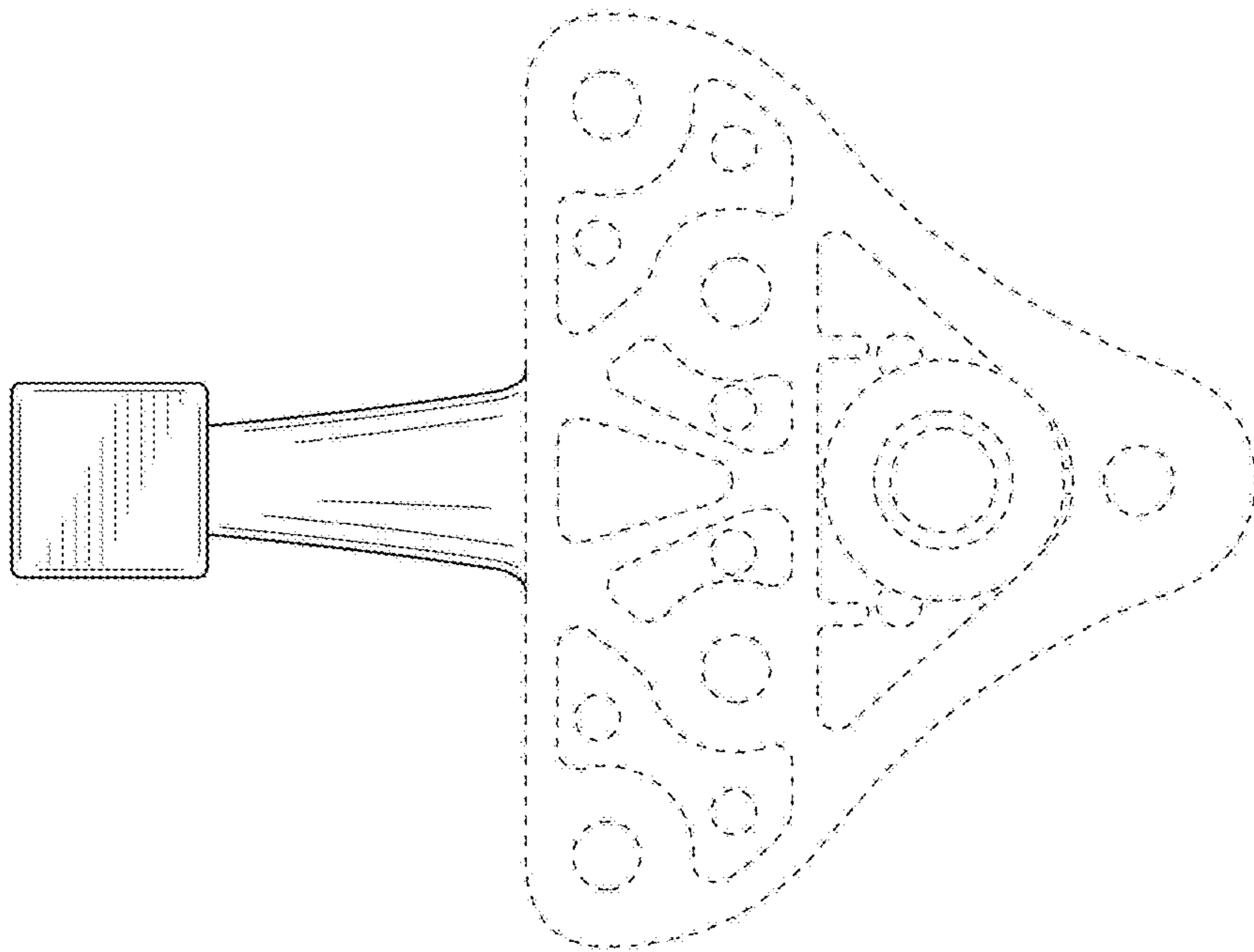


FIG. 3

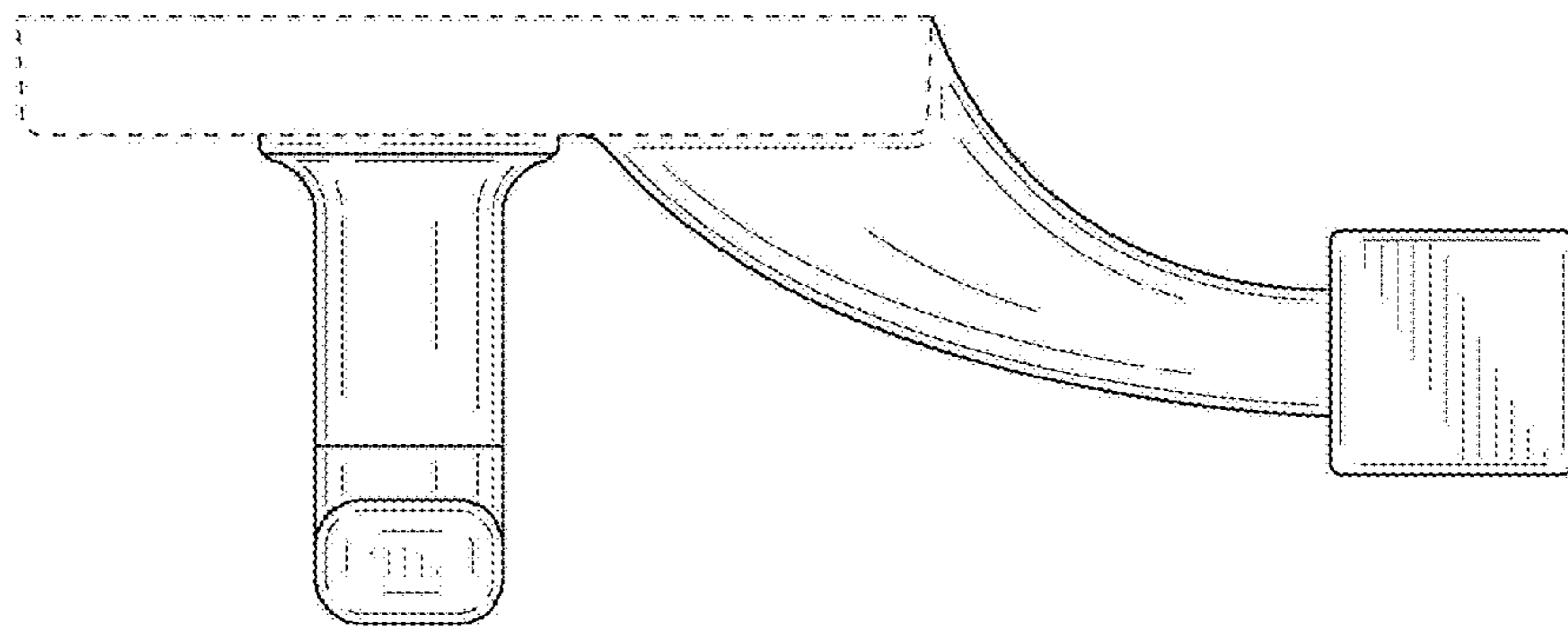


FIG. 4

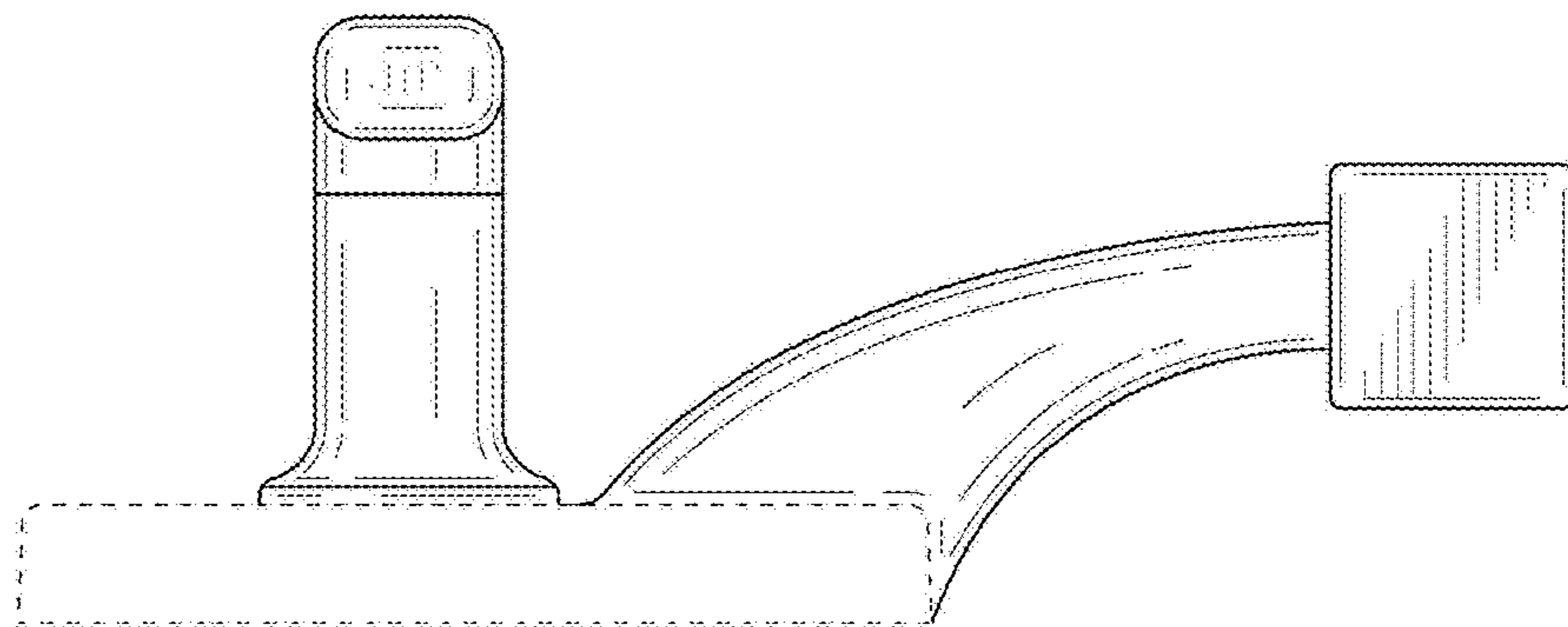


FIG. 5

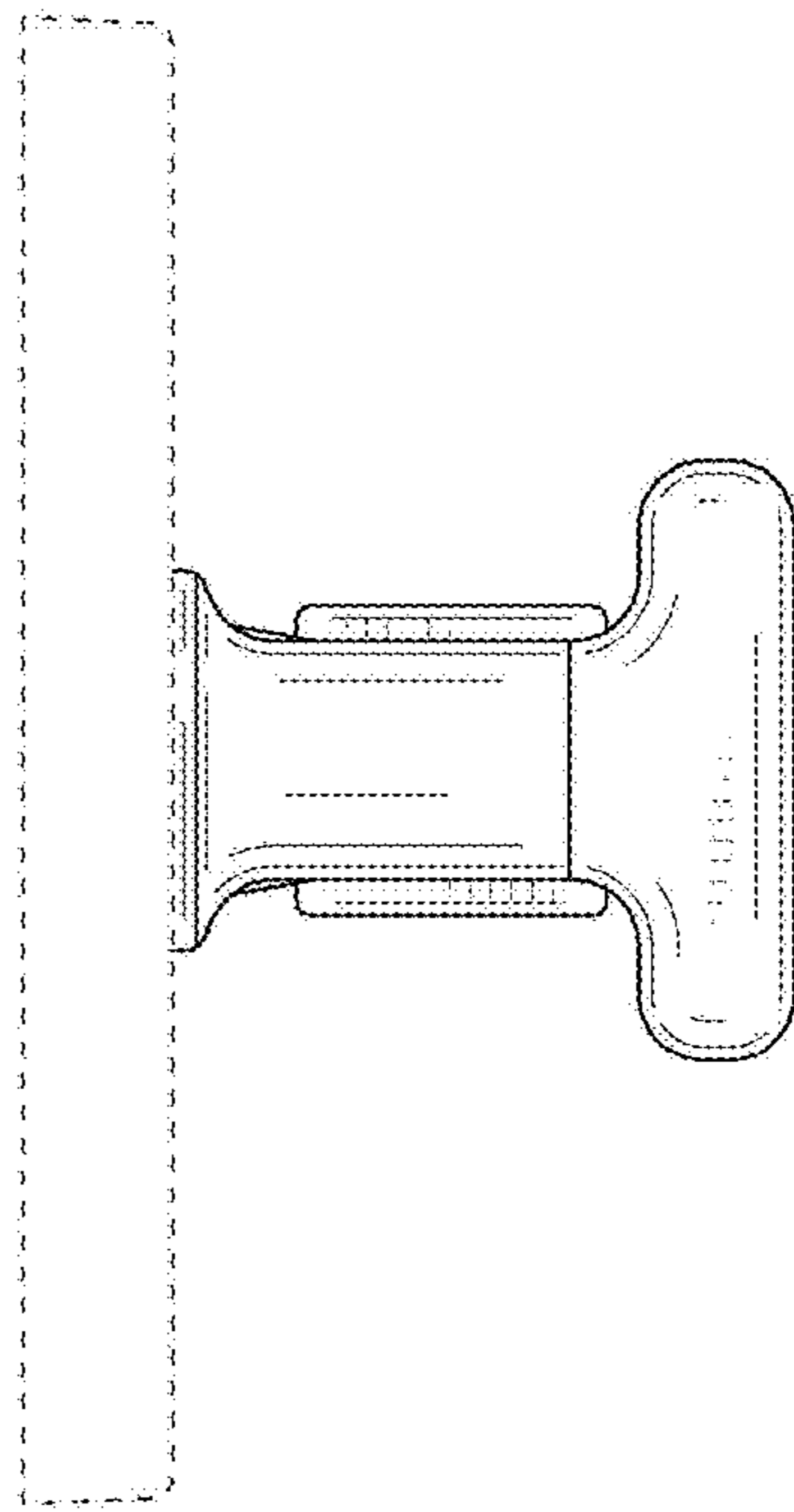


FIG. 6

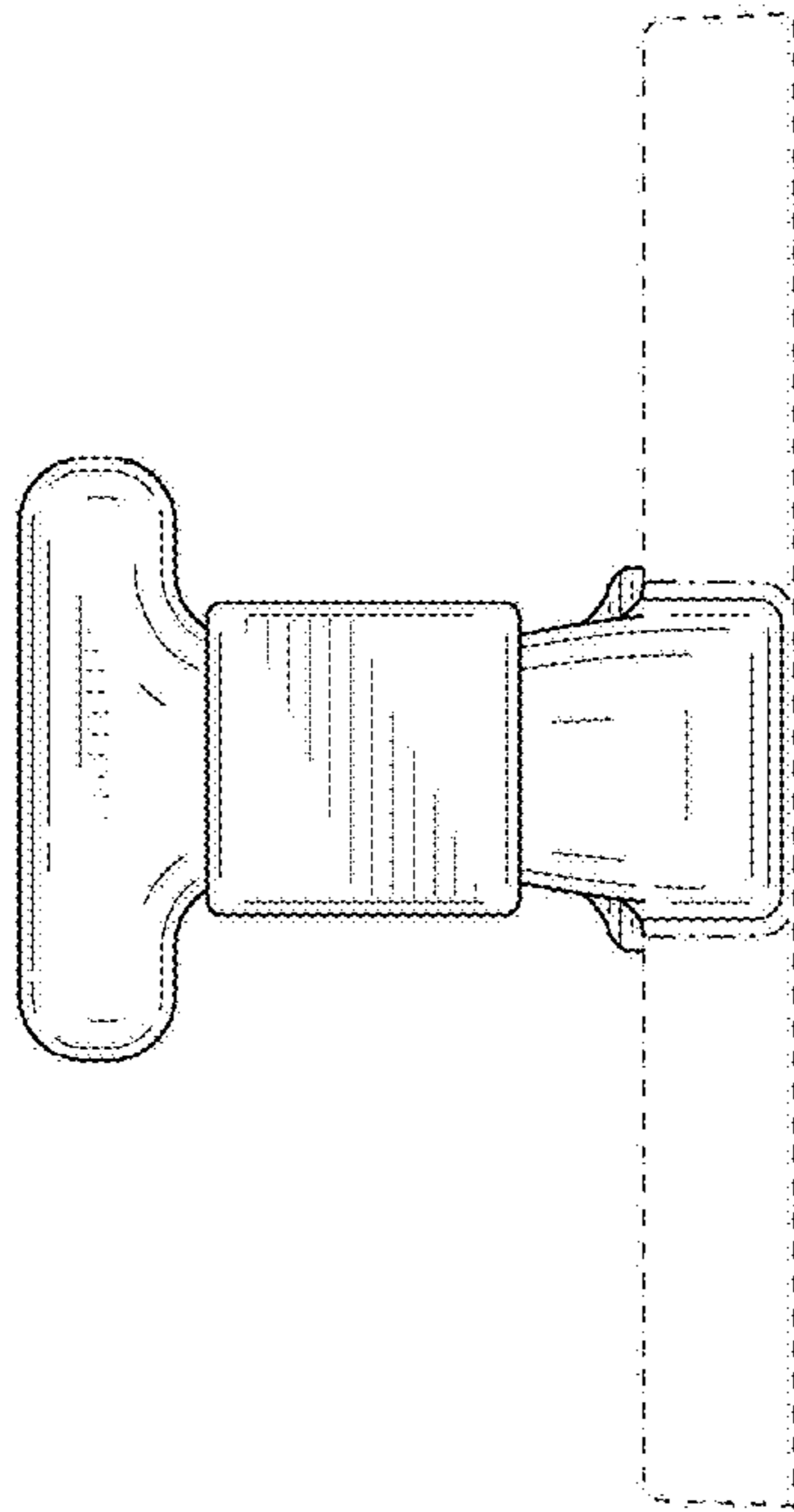


FIG. 7