



US00D854906S

(12) **United States Design Patent** (10) **Patent No.:** **US D854,906 S**
Magana et al. (45) **Date of Patent:** **** Jul. 30, 2019**

(54) **GARDEN TOOL HANDLE**

(56) **References Cited**

(71) Applicant: **CORONA CLIPPER, INC.**, Corona, CA (US)
(72) Inventors: **Anthony Magana**, Riverside, CA (US); **James J. Wolf**, Waconia, MN (US); **Kevin Michael Kroeger**, Anthem, AZ (US); **O’Ryan Lopez**, Fontana, CA (US); **Estevan Jose Silvas, Jr.**, Corona, CA (US); **Craig Steven Agney**, Minneapolis, MN (US); **Christopher Scott Daniels**, Columbus, OH (US); **Donald Collins Meves**, Columbus, OH (US)
(73) Assignee: **CORONA CLIPPER, INC.**, Corona, CA (US)

U.S. PATENT DOCUMENTS

D365,257 S *	12/1995	Huang	D8/10
D369,072 S *	4/1996	Huang	D8/107
D384,251 S *	9/1997	Yeh	D8/10
D387,649 S *	12/1997	Concari	D8/10
D397,021 S *	8/1998	Hortnagl	D8/107
D483,630 S *	12/2003	Choi	D8/10
D506,655 S *	6/2005	Lipscomb	D8/10
D522,342 S *	6/2006	Kwan	D8/107
D557,251 S *	12/2007	Nohara	D14/194
D614,010 S *	4/2010	Hyp	D8/10
D638,268 S *	5/2011	Renfu	D8/10
D724,379 S *	3/2015	Munari	D7/395
D730,686 S *	6/2015	Barberi	D7/395
D741,108 S *	10/2015	Munari	D7/395
D767,968 S *	10/2016	Jenkins	D8/107
D784,780 S *	4/2017	Jenkins	D8/1

* cited by examiner

Primary Examiner — Philip S Hyder

(**) Term: **15 Years**

(57) **CLAIM**

(21) Appl. No.: **29/613,471**

The ornamental design for a garden tool handle, as shown and described.

(22) Filed: **Aug. 10, 2017**

DESCRIPTION

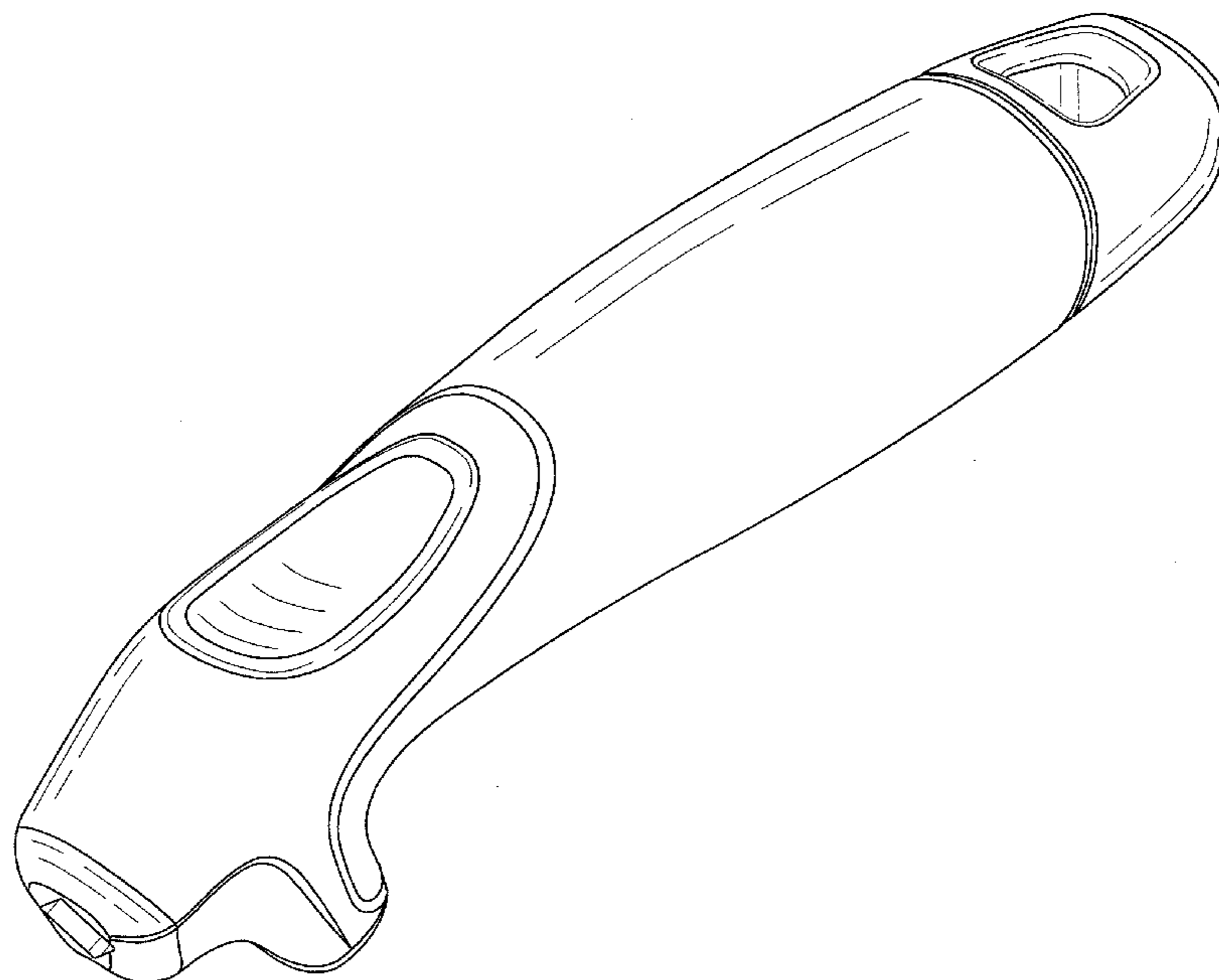
(51) **LOC (11) Cl.** **08-05**

(52) **U.S. Cl.**
USPC **D8/107**

(58) **Field of Classification Search**
USPC D8/10, 11, 107, 300, 303; D7/395; D4/138; D32/49, 72
CPC A01B 1/00; A01B 1/02; A01B 1/04; A01B 1/08; A01B 1/227; B25G 1/00
See application file for complete search history.

FIG. 1 is a front perspective view of the garden tool handle; FIG. 2 is a front view of the garden tool handle; FIG. 3 is a back view of the garden tool handle; FIG. 4 is a right side view of the garden tool handle; FIG. 5 is a left side view of the garden tool handle; FIG. 6 is a top view of the garden tool handle; and, FIG. 7 is a bottom view of the garden tool handle.

1 Claim, 5 Drawing Sheets



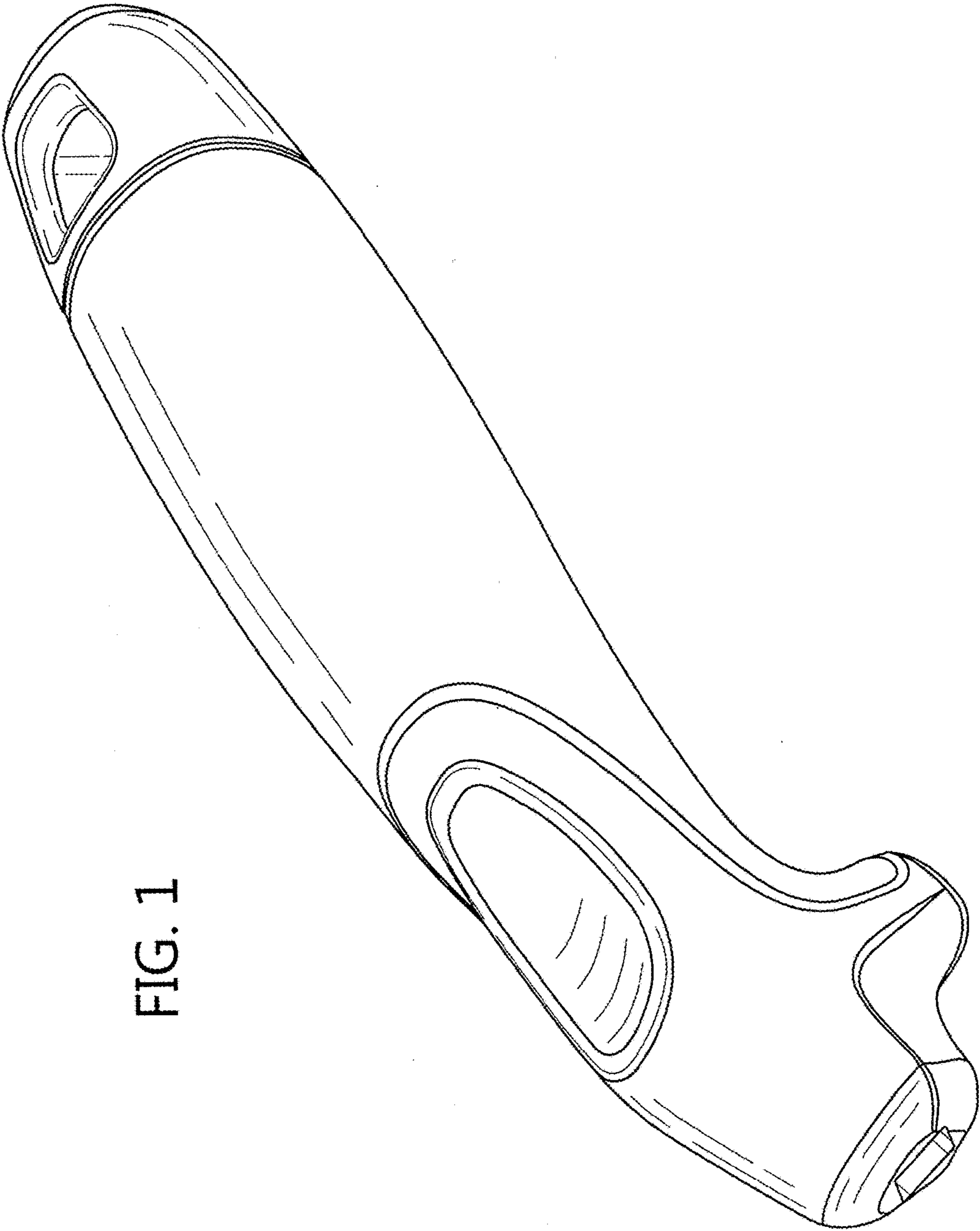


FIG. 1

FIG. 3

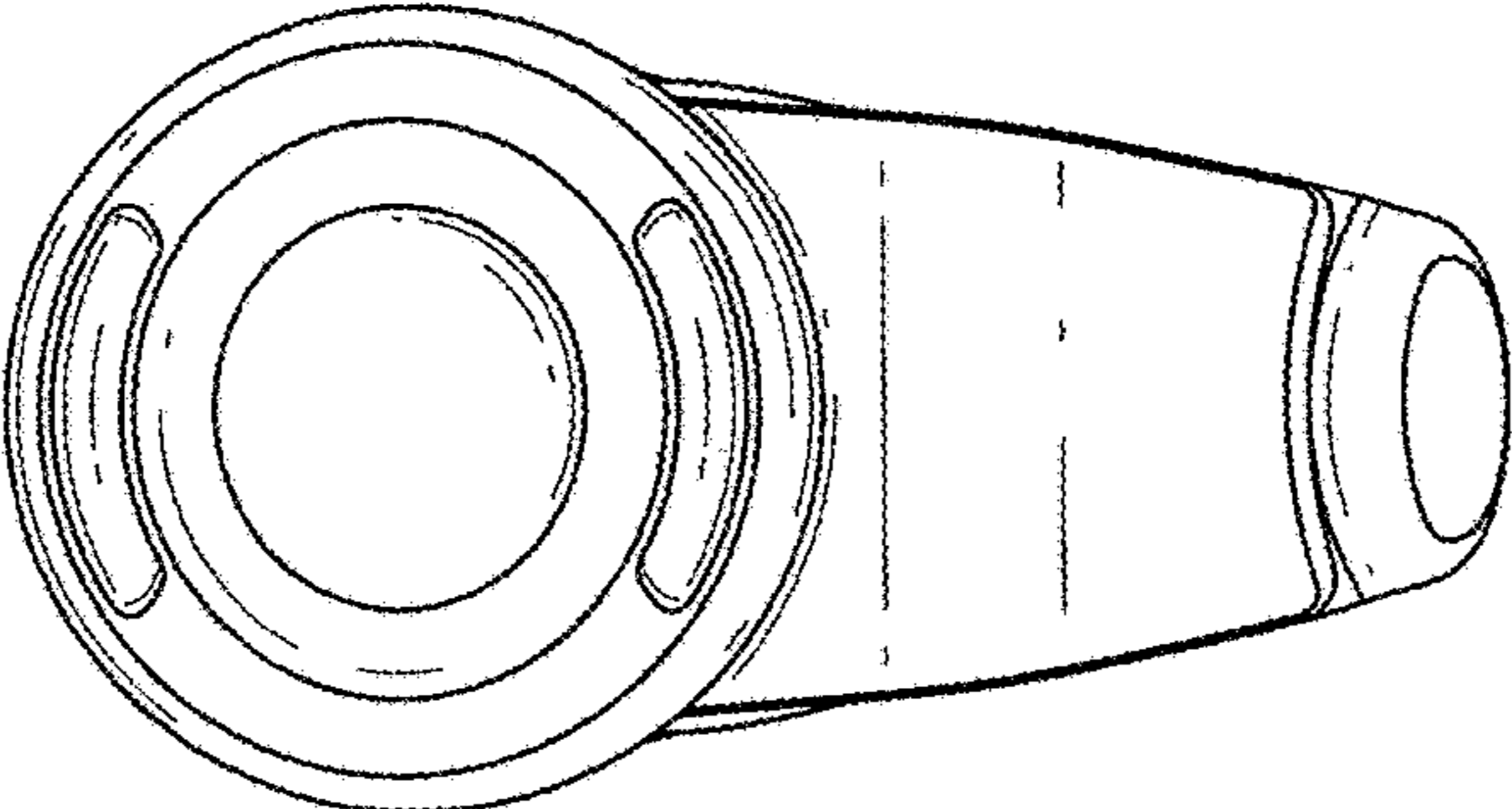


FIG. 2

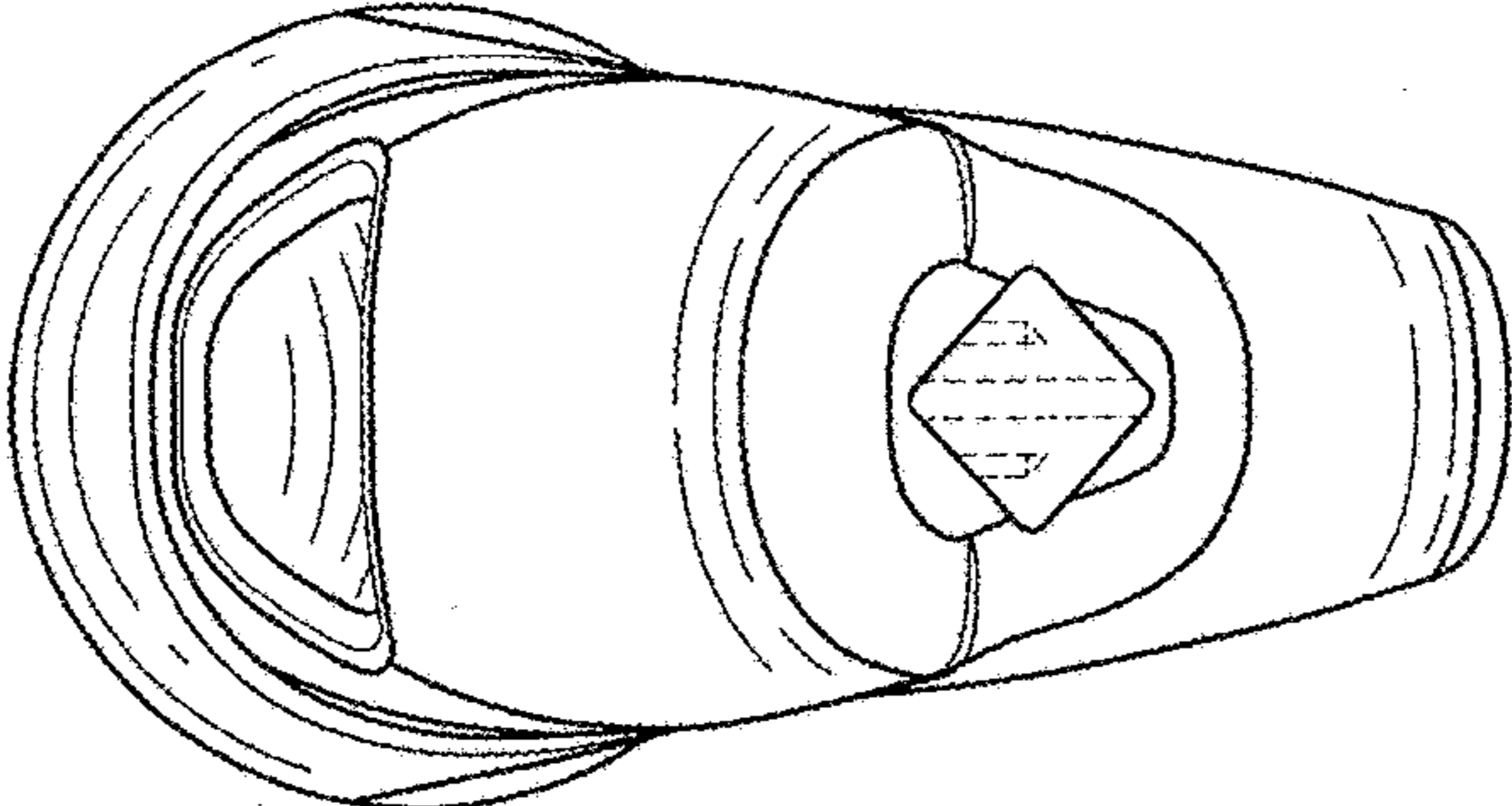


FIG. 4



FIG. 5

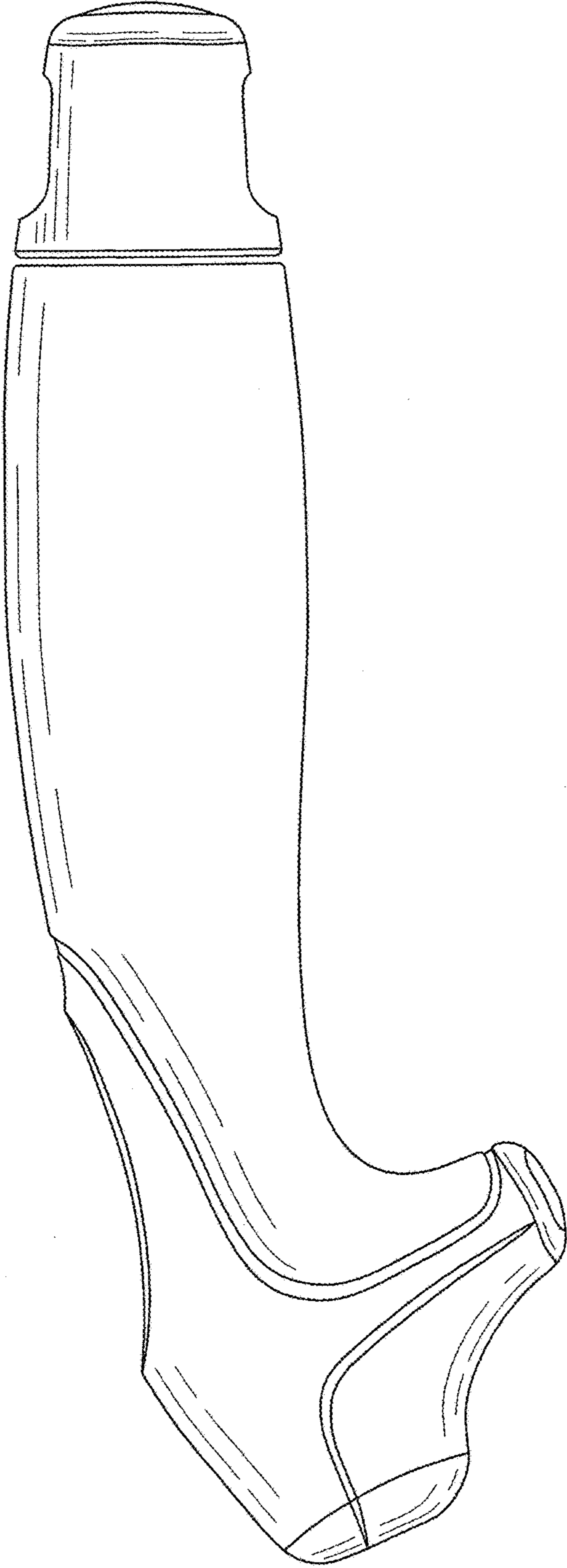


FIG. 6

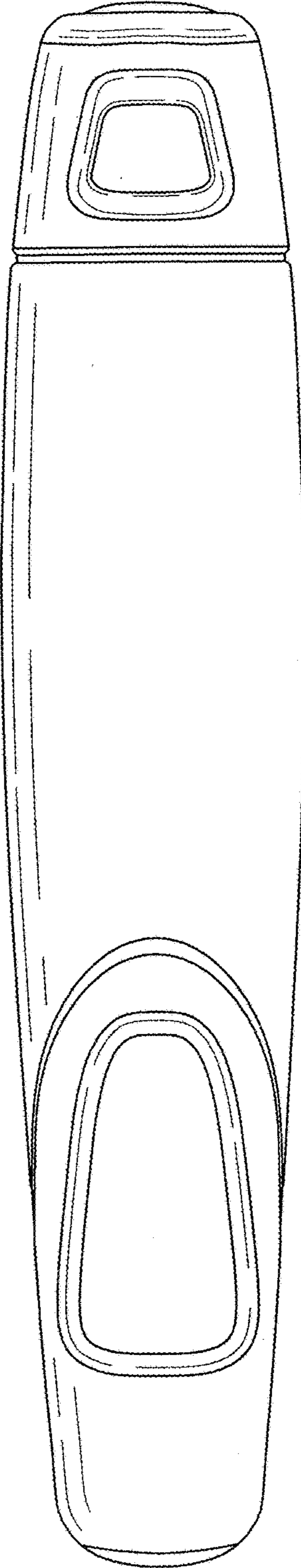


FIG. 7

