



US00D854905S

(12) **United States Design Patent**  
**Iwama**

(10) **Patent No.:** **US D854,905 S**

(45) **Date of Patent:** **\*\* Jul. 30, 2019**

(54) **WIRE STRIPPER**

(71) Applicant: **NAGAKI SEIKI CO., LTD.**, Daito-shi,  
Osaka (JP)

(72) Inventor: **Tamotsu Iwama**, Daito (JP)

(73) Assignee: **NAGAKI SEIKI CO., LTD.**,  
Daito-Shi, Osaka (JP)

(\*\*) Term: **15 Years**

(21) Appl. No.: **29/621,078**

(22) Filed: **Oct. 4, 2017**

(30) **Foreign Application Priority Data**

Jul. 12, 2017 (JP) ..... 2017-015022

(51) **LOC (11) Cl.** ..... **08-03**

(52) **U.S. Cl.**  
USPC ..... **D8/98; D8/14**

(58) **Field of Classification Search**

USPC ..... D8/14, 98, 51, 349, 354; D21/505  
CPC ..... H02G 1/12; H02G 1/1202; H02G 1/1204;  
H02G 1/1207; H02G 1/1214

See application file for complete search history.

(56) **References Cited**

**U.S. PATENT DOCUMENTS**

3,636,929 A \* 1/1972 Sanders ..... F22B 1/282  
122/460  
D356,033 S \* 3/1995 Horvat ..... D9/430

6,481,921 B1 \* 11/2002 Fenimore ..... G09F 19/22  
404/7  
D626,821 S \* 11/2010 Hikoyama ..... D8/380  
D684,464 S \* 6/2013 Swart ..... D9/430  
D692,393 S \* 10/2013 Hillman ..... D13/102  
D730,718 S \* 6/2015 Lin ..... D8/349  
D738,711 S \* 9/2015 Tally ..... D8/380  
D824,749 S \* 8/2018 Wright ..... D8/354

\* cited by examiner

*Primary Examiner* — Philip S Hyder

(74) *Attorney, Agent, or Firm* — Rabin & Berdo, P.C.

(57) **CLAIM**

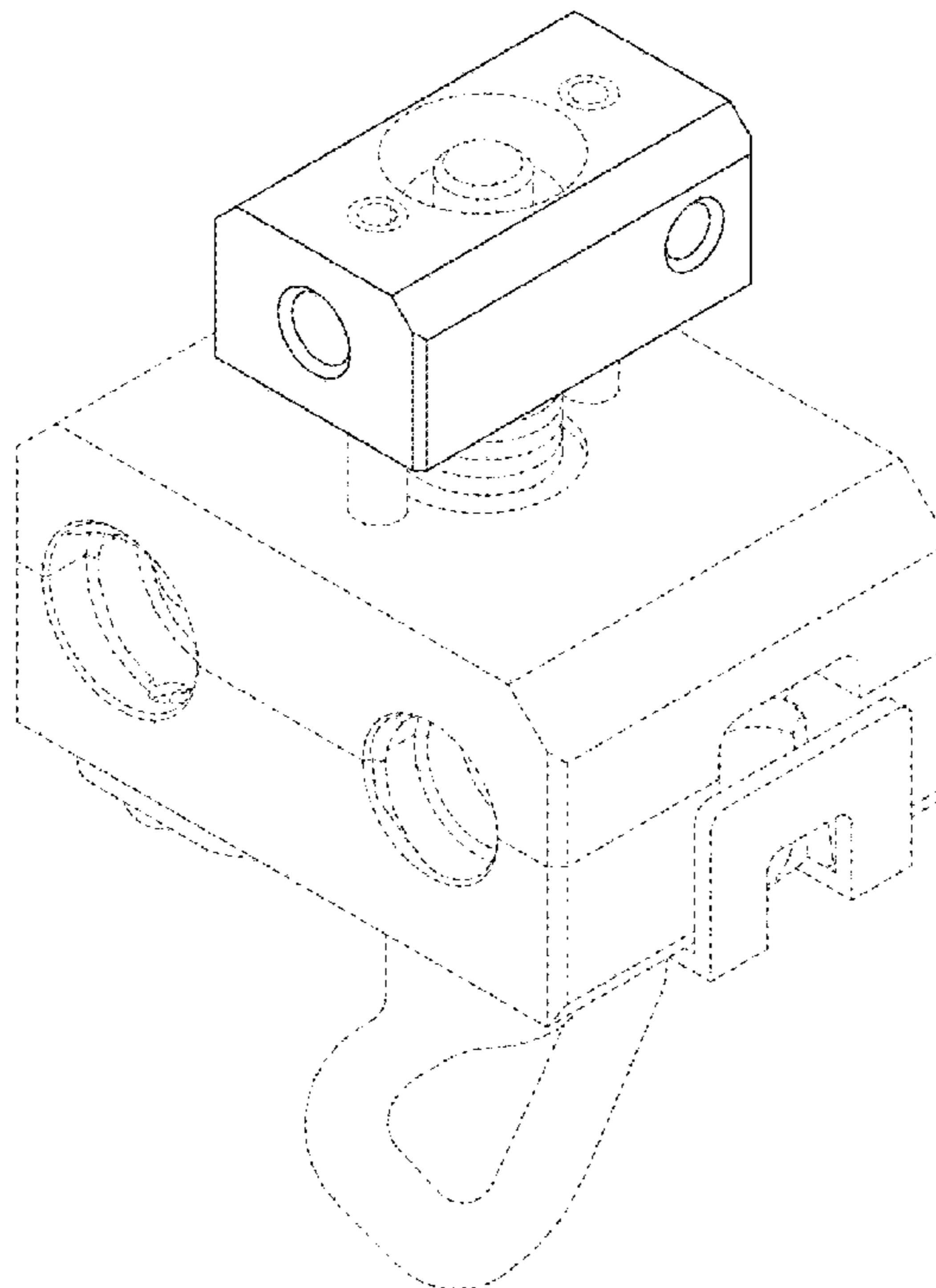
The ornamental design for a wire stripper, as shown and described.

**DESCRIPTION**

FIG. 1 is a front view of the wire stripper;  
FIG. 2 is a rear view thereof;  
FIG. 3 is a top view thereof;  
FIG. 4 is a bottom view thereof;  
FIG. 5 is a right side view thereof;  
FIG. 6 is a left side view thereof; and,  
FIG. 7 is a perspective view thereof.

The broken lines shown in the drawings illustrate portions of the wire stripper in which the design is embodied that form no part of the claimed design.

**1 Claim, 6 Drawing Sheets**



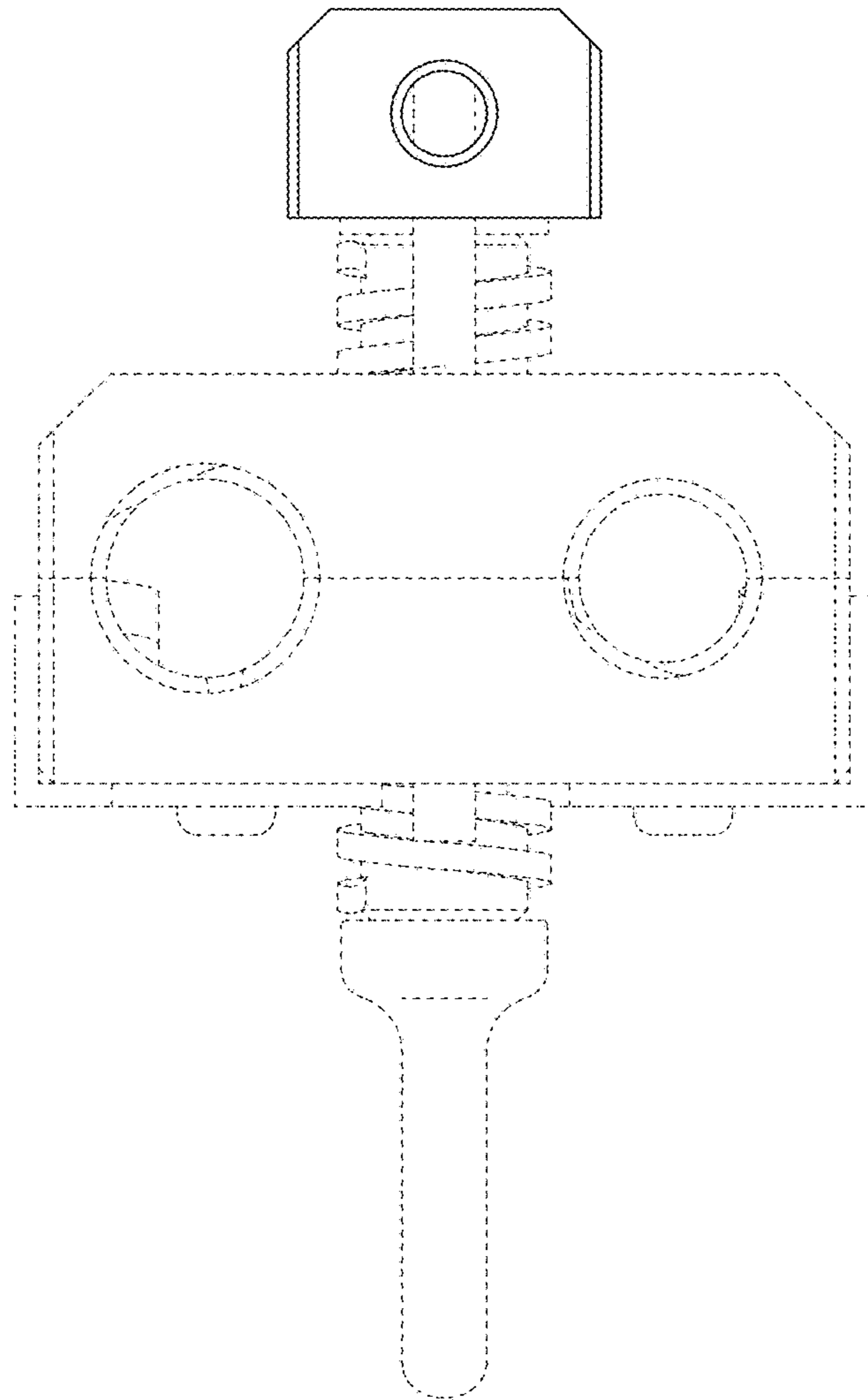


FIG. 1

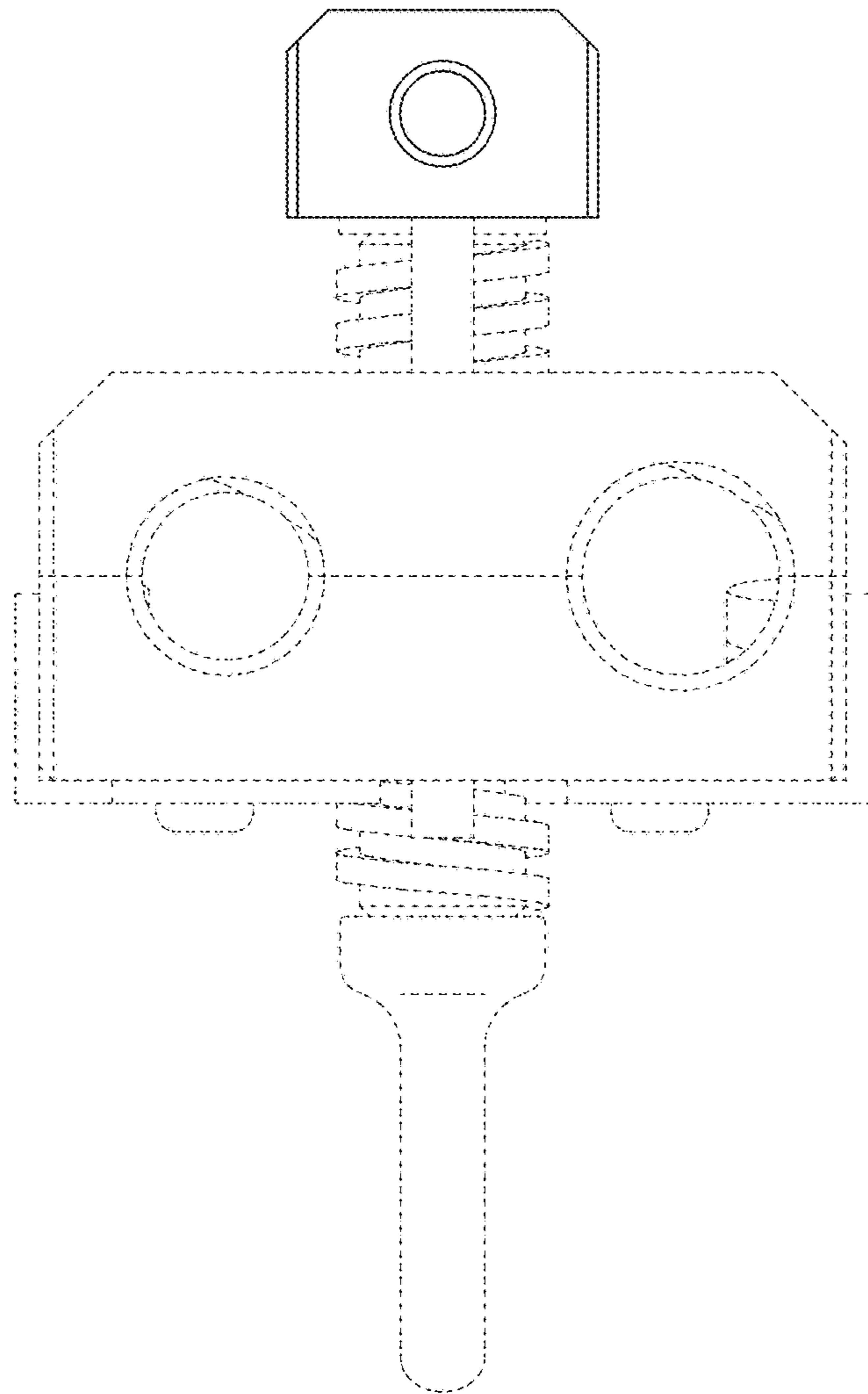


FIG. 2

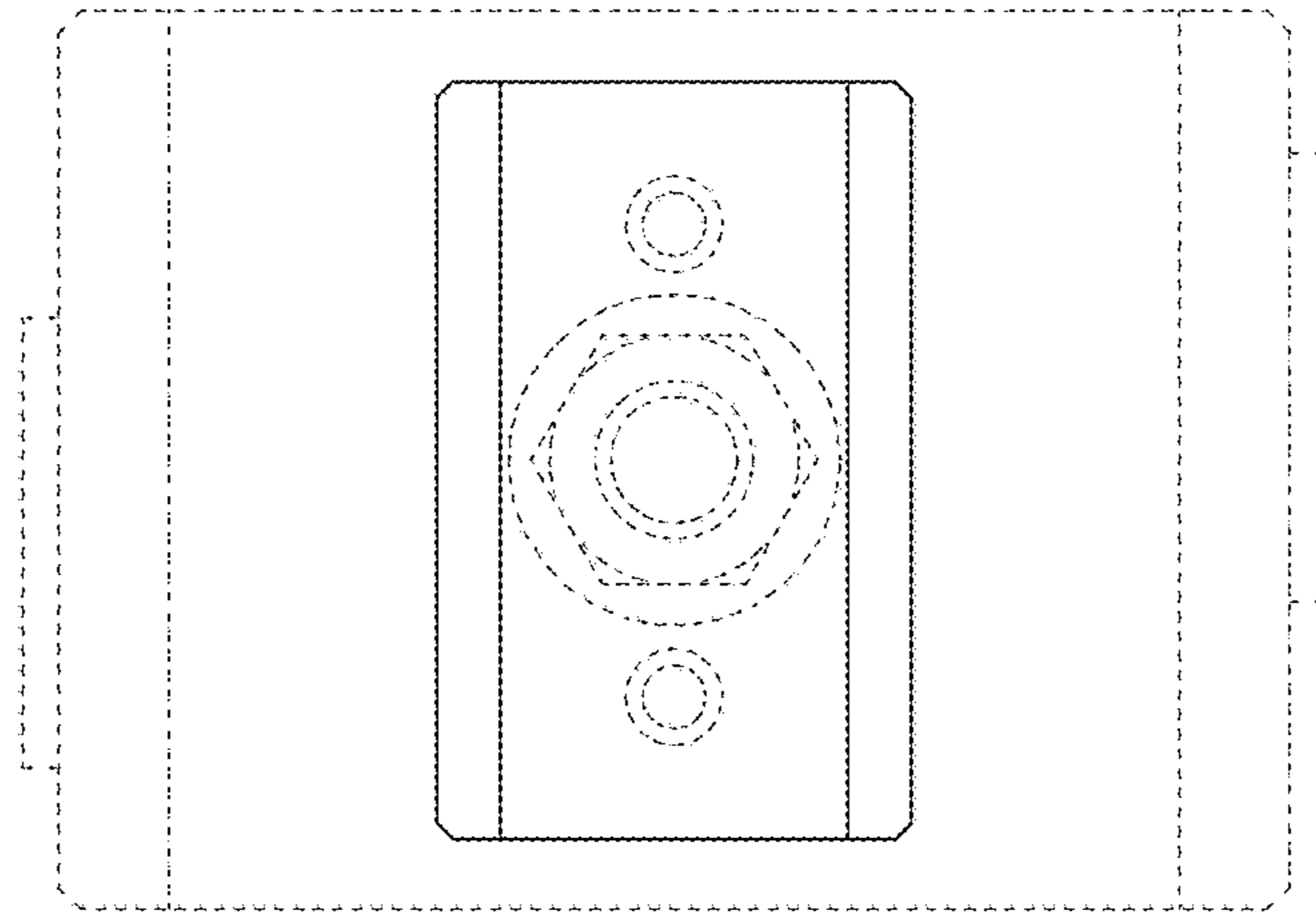


FIG. 3

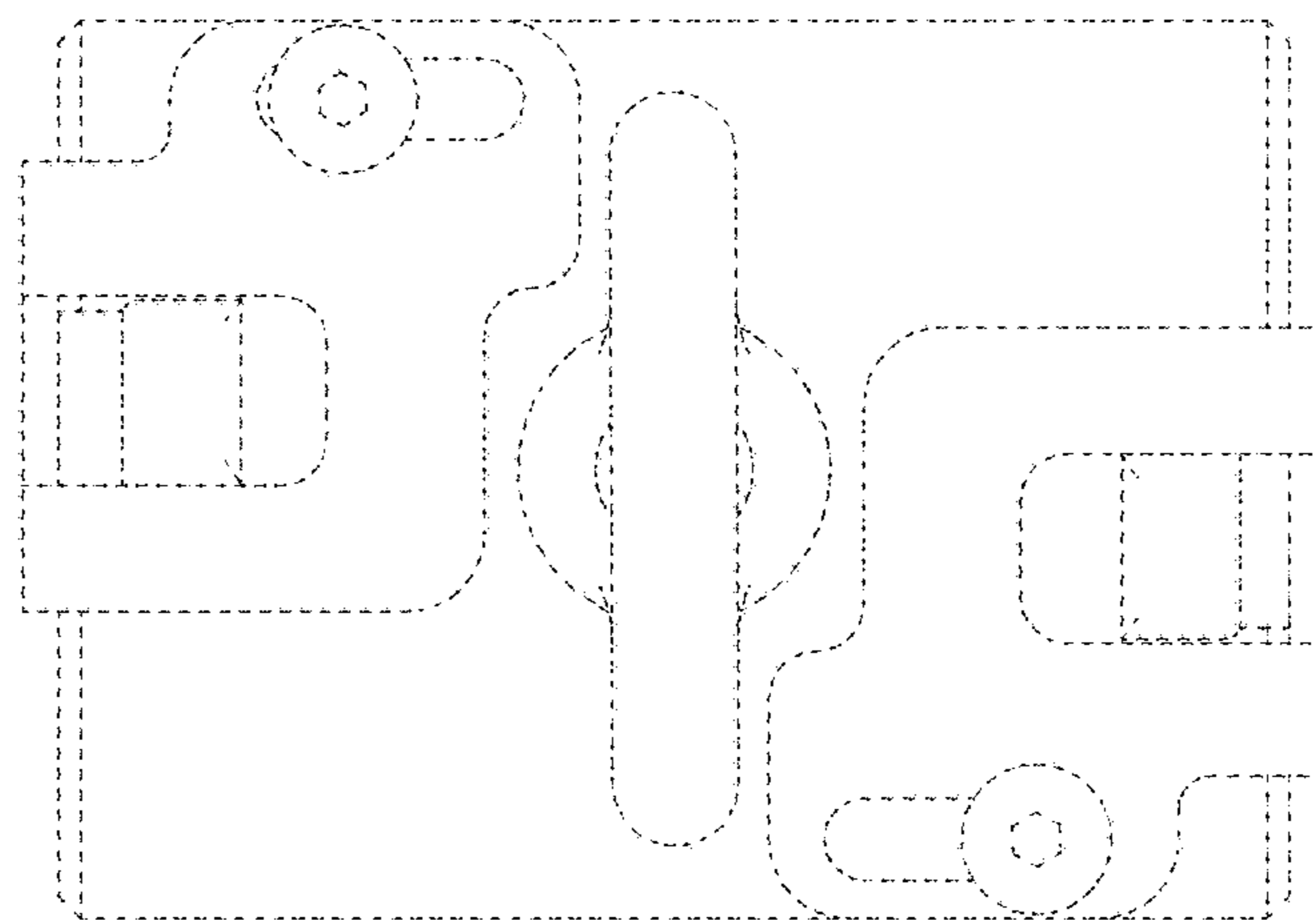


FIG. 4

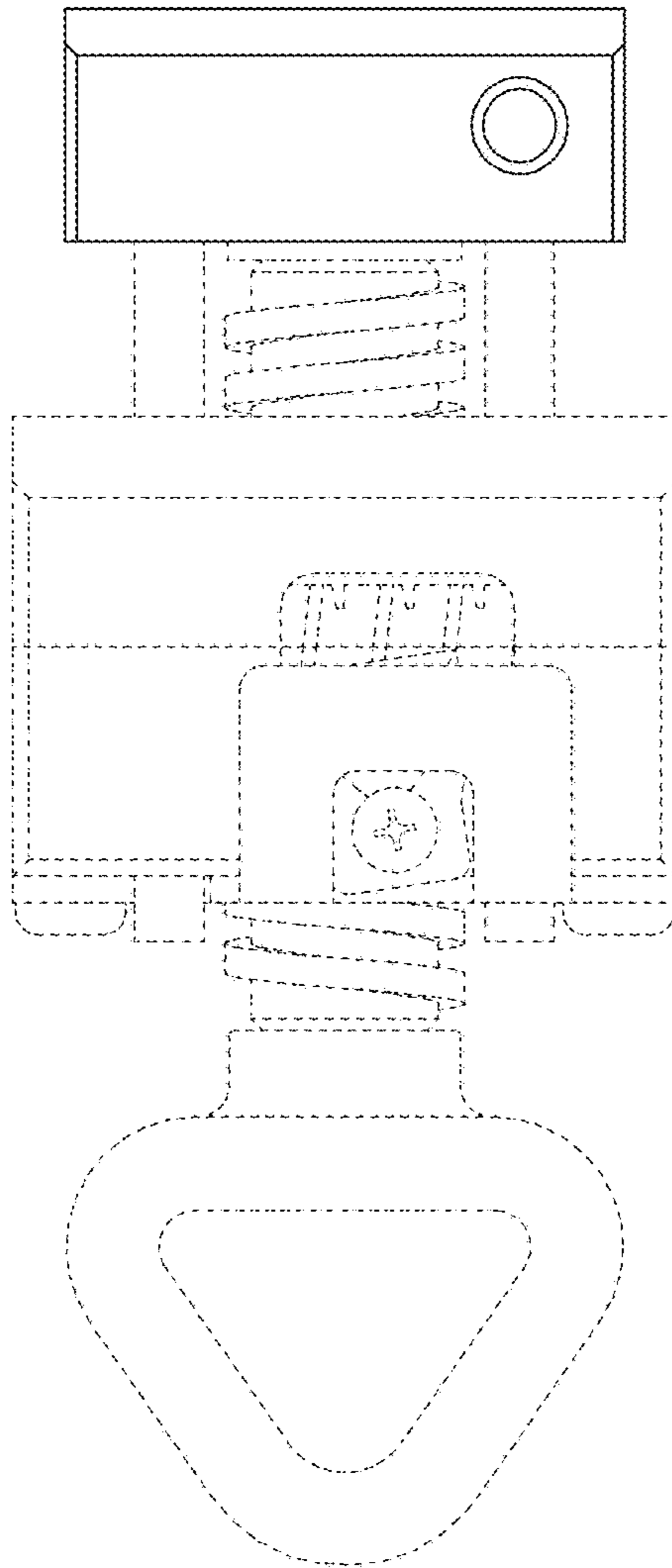


FIG. 5

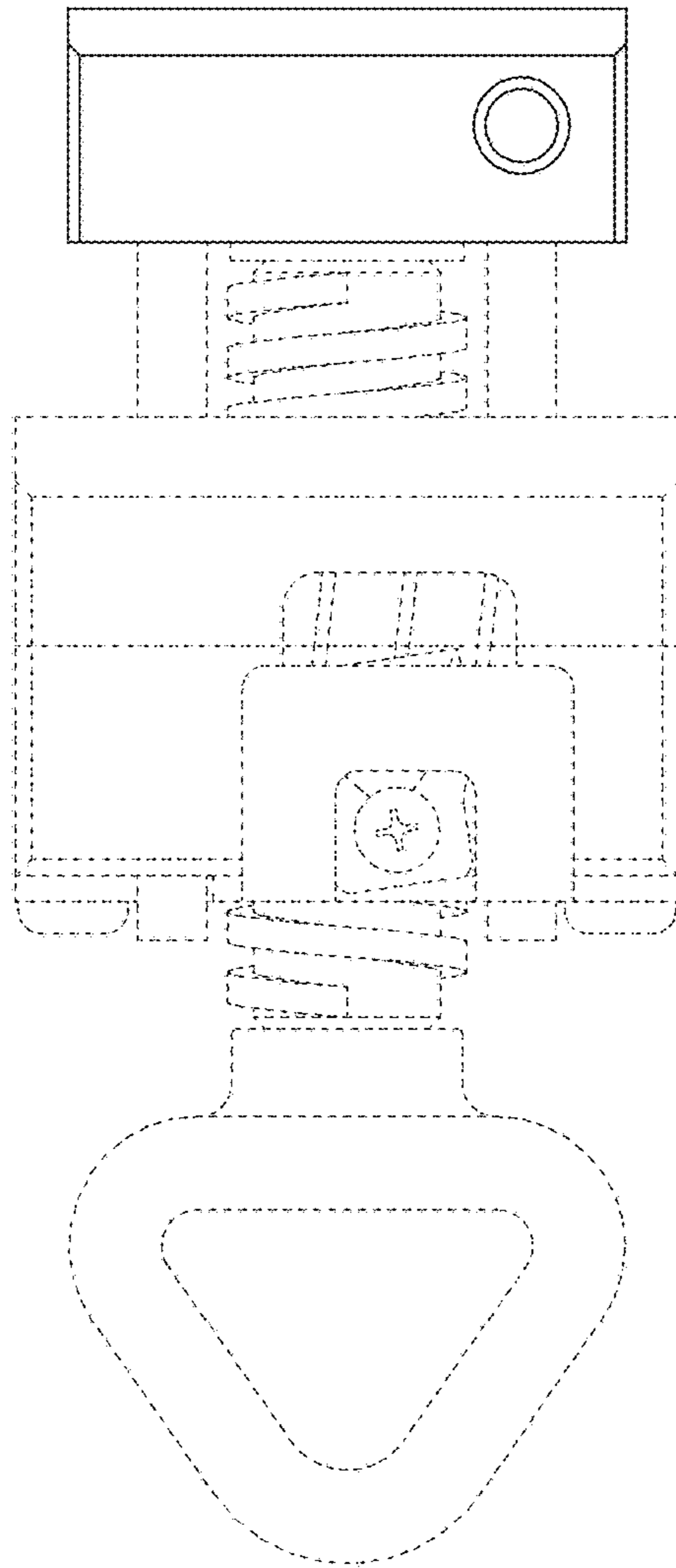


FIG. 6

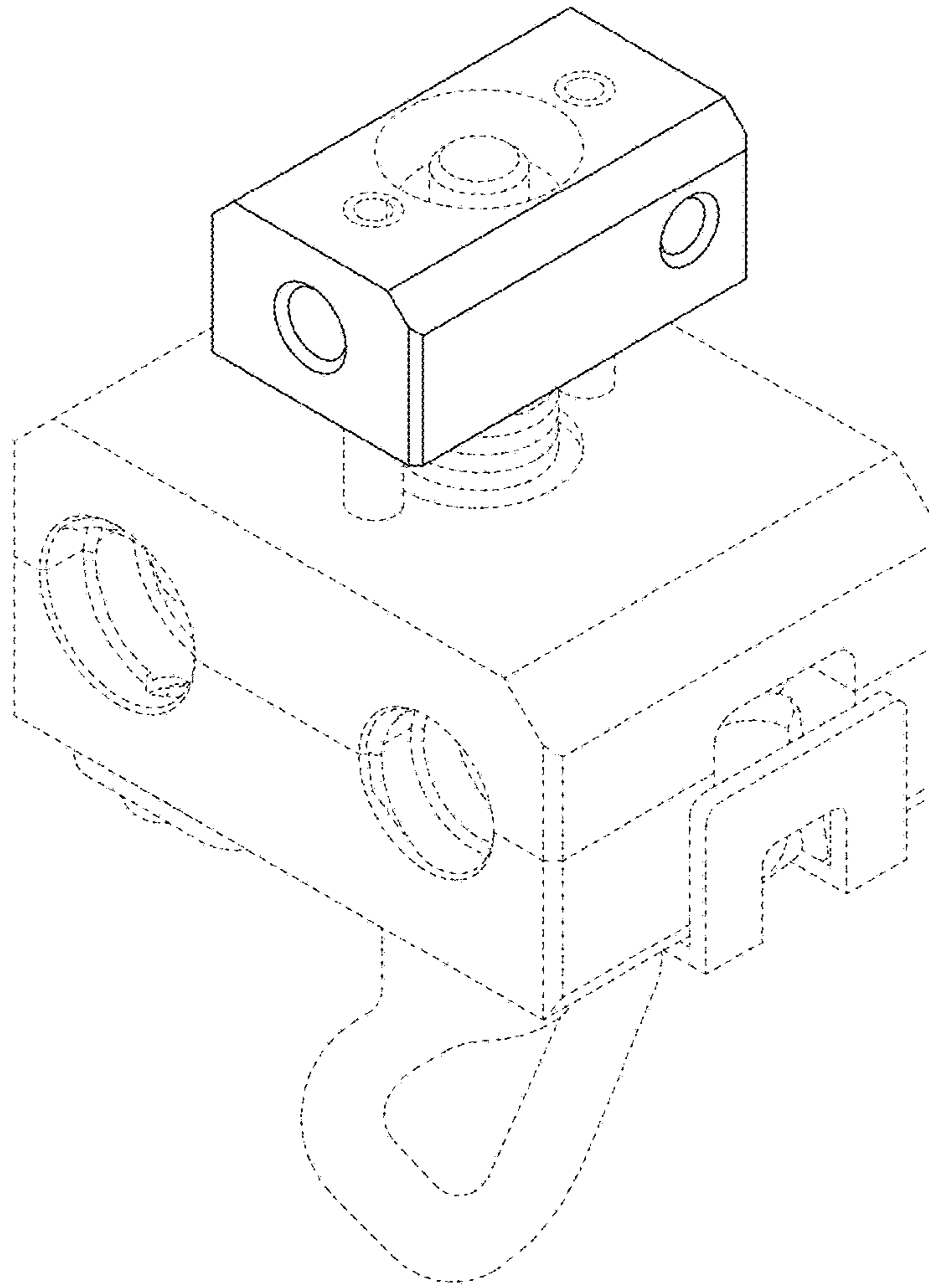


FIG. 7