



US00D854899S

(12) **United States Design Patent** (10) **Patent No.:** **US D854,899 S**
Su (45) **Date of Patent:** **** Jul. 30, 2019**

(54) **METALLIC LUSTER FACES OF A SOCKET**

(56) **References Cited**

(71) Applicant: **Hong Ann Tool Industries Co., Ltd.,**
Taichung (TW)

U.S. PATENT DOCUMENTS

(72) Inventor: **Cheng-Wei Su,** Taichung (TW)

D542,106 S * 5/2007 Alsobrook D8/29
D731,271 S * 6/2015 Su D8/29
D749,388 S * 2/2016 Lee D8/29

(73) Assignee: **Hong Ann Tool Industries Co., Ltd.,**
Taichung (TW)

* cited by examiner

(**) Term: **15 Years**

Primary Examiner — Randall H Gholson

(21) Appl. No.: **29/648,989**

(74) *Attorney, Agent, or Firm* — Alan D. Kamrath; Mayer & Williams PC

(22) Filed: **May 25, 2018**

(57) **CLAIM**

The ornamental design for metallic luster faces of a socket, as shown and described.

(30) **Foreign Application Priority Data**

DESCRIPTION

Feb. 13, 2018 (TW) 107300953

(51) **LOC (11) Cl.** **08-05**

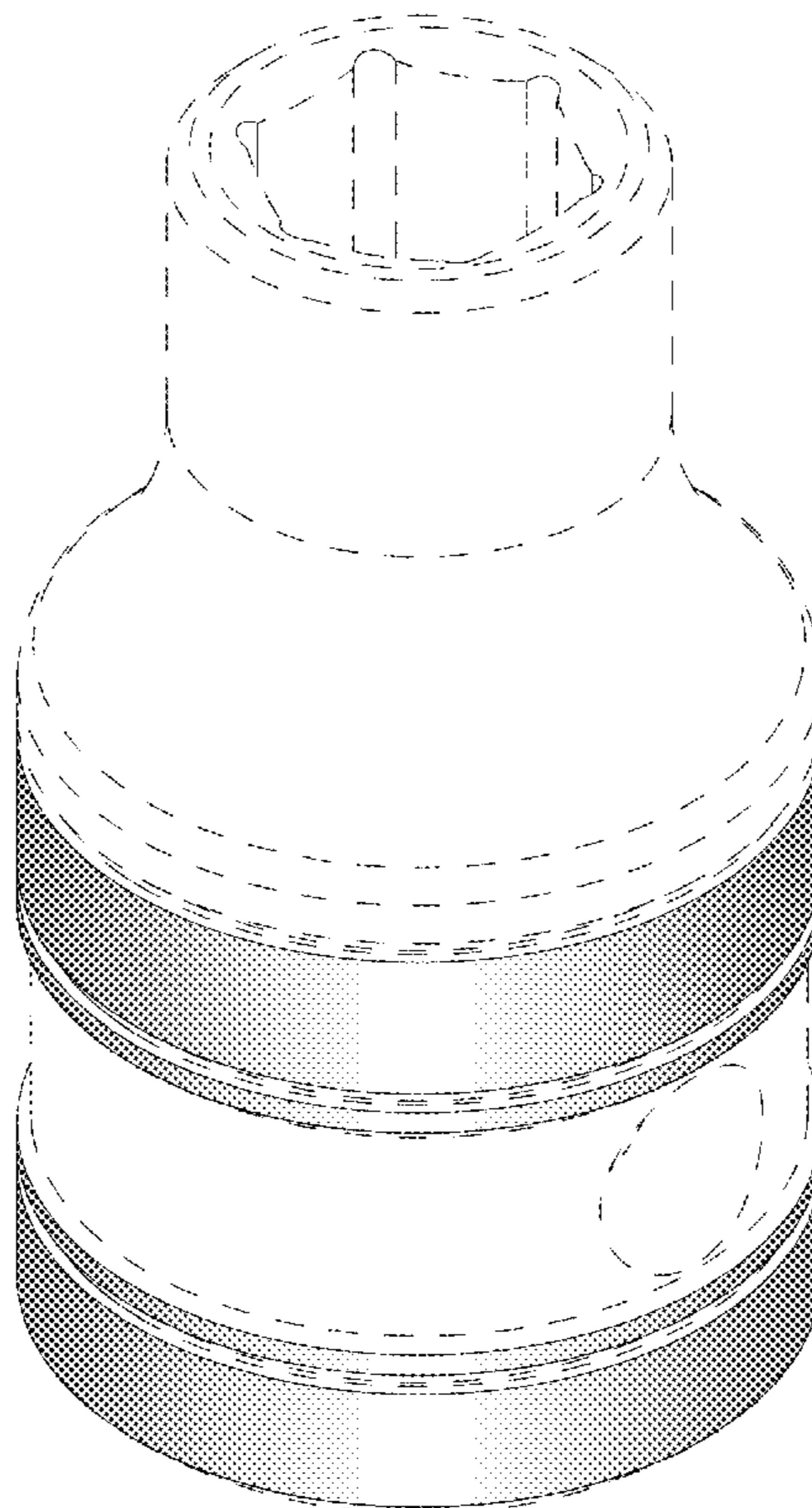
(52) **U.S. Cl.**
USPC **D8/29**

(58) **Field of Classification Search**
USPC D8/29; 81/60, 177.1, 177.85, 121.1,
81/124.3, 165-170, 110.1, 176.2, 124.6,
81/176.1, 176.15, 177.2, 186; 16/110.1
CPC B25B 13/06; B25B 13/065
See application file for complete search history.

FIG. 1 is a perspective view of metallic luster faces of a socket showing my new design;
FIG. 2 is a front view thereof;
FIG. 3 is a rear view thereof;
FIG. 4 is a left view thereof;
FIG. 5 is a top view thereof; and,
FIG. 6 is a bottom view thereof.

The broken lines depict portions of the metallic luster faces of a socket in which the design is embodied that are not considered part of the claimed design.

1 Claim, 6 Drawing Sheets



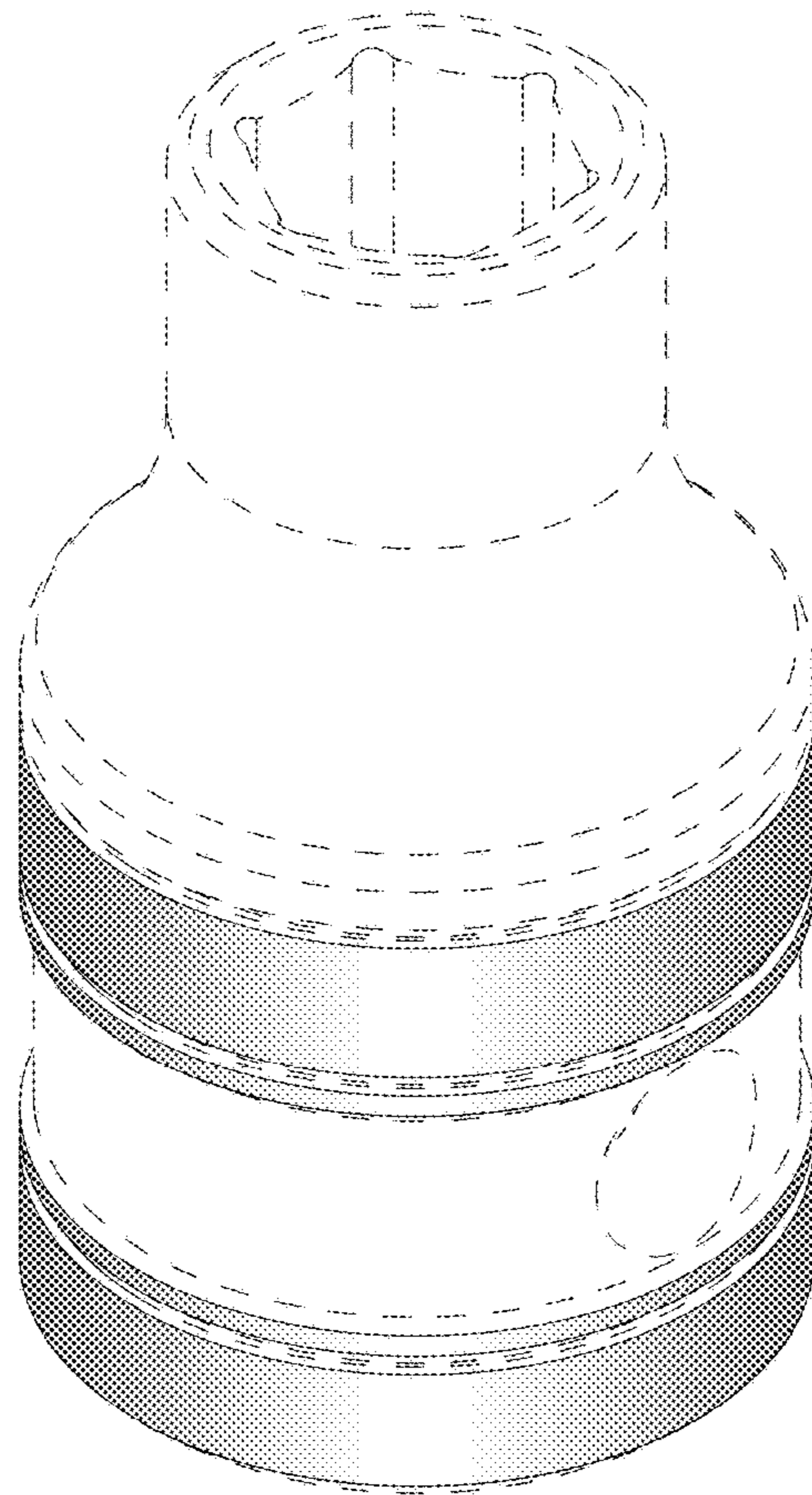


FIG. 1

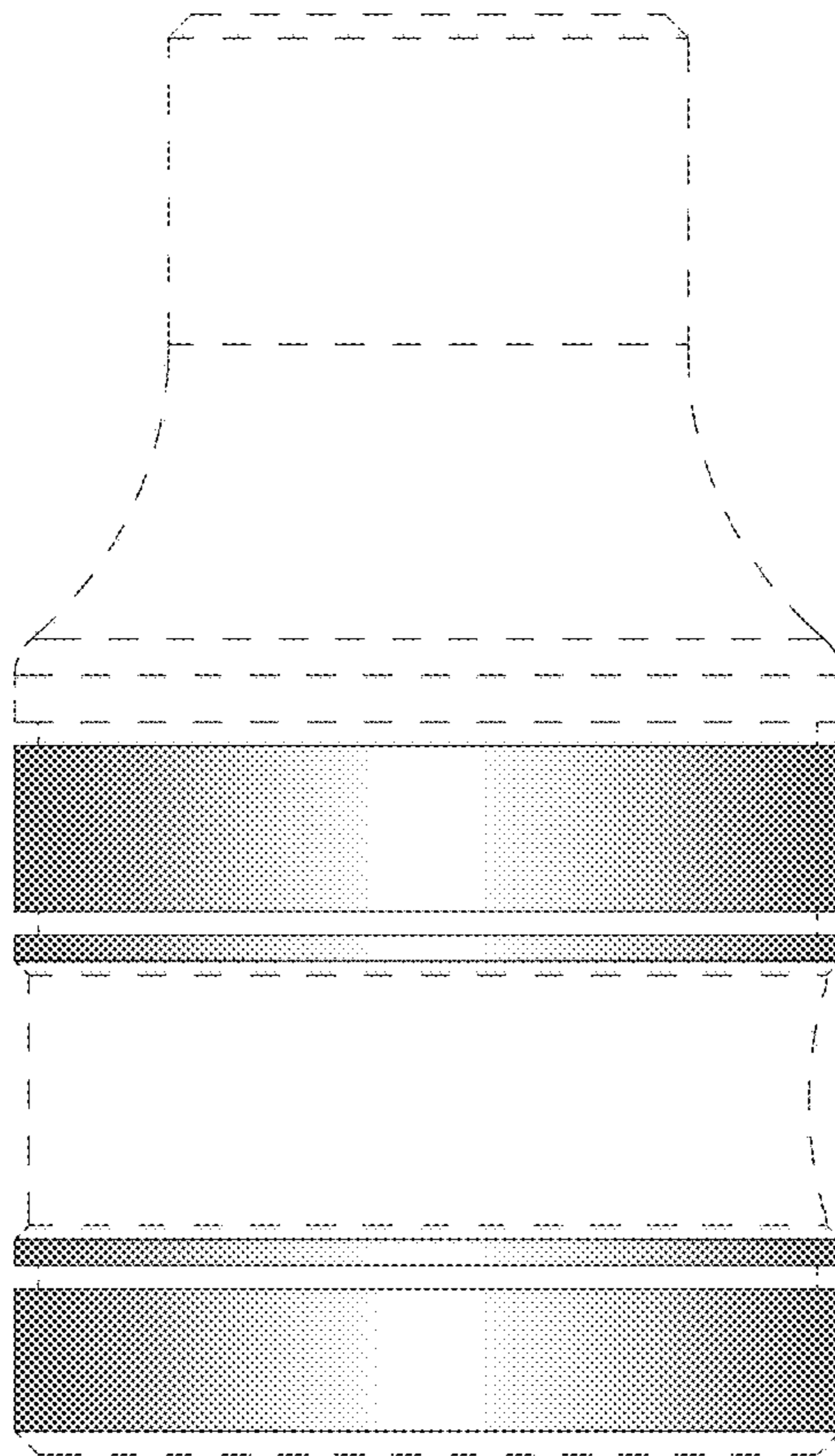


FIG. 2

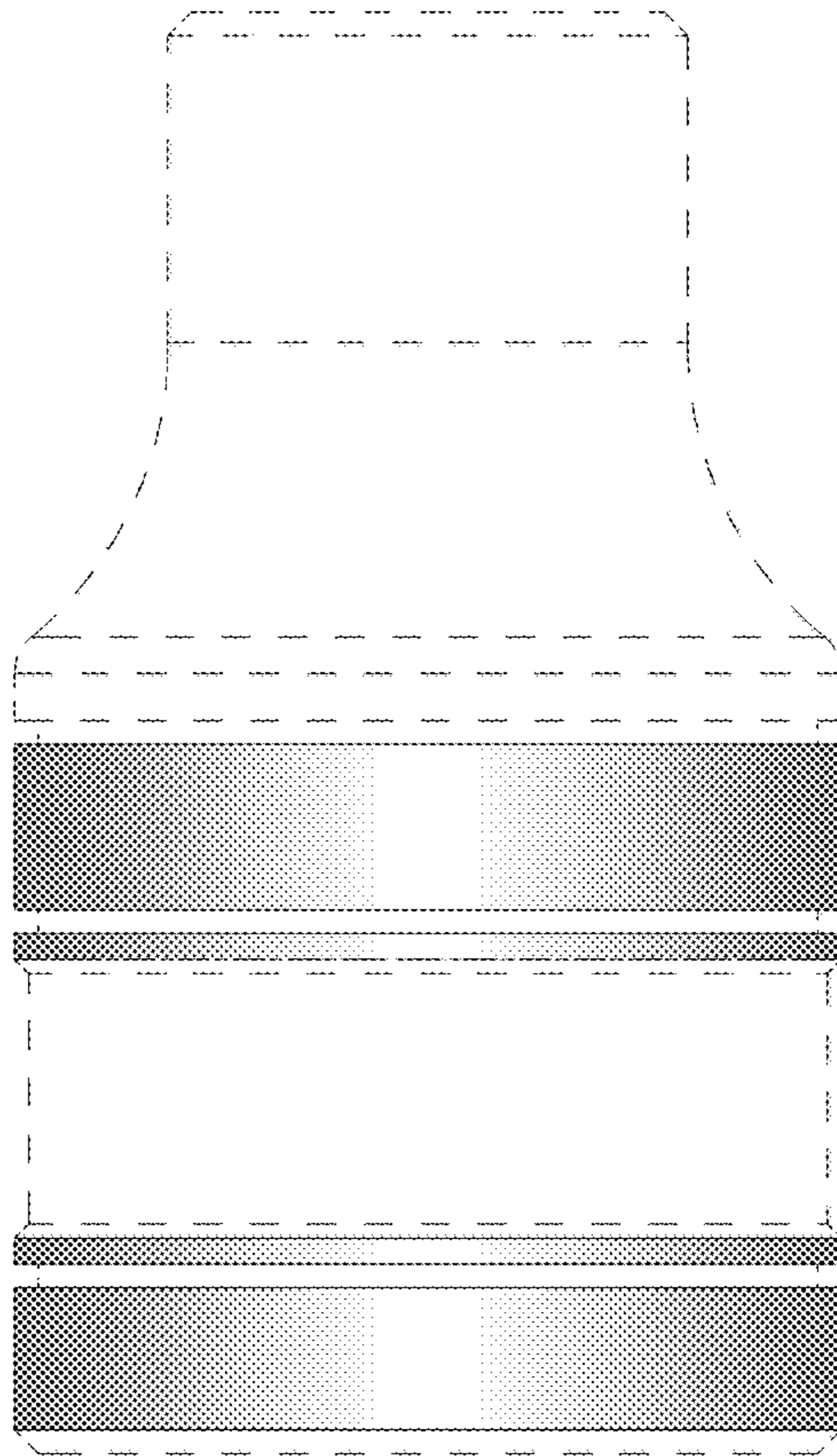


FIG.3

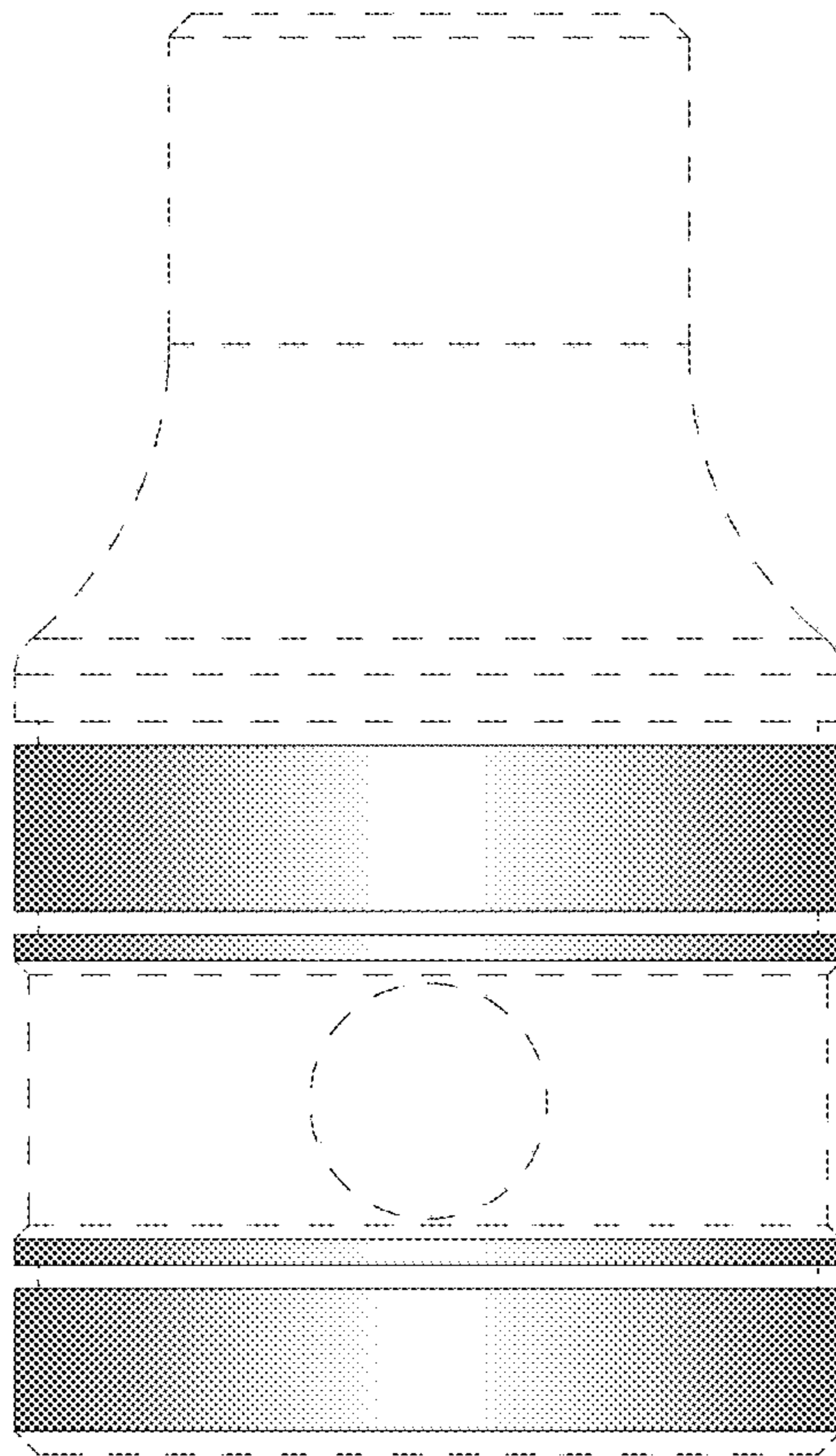


FIG.4

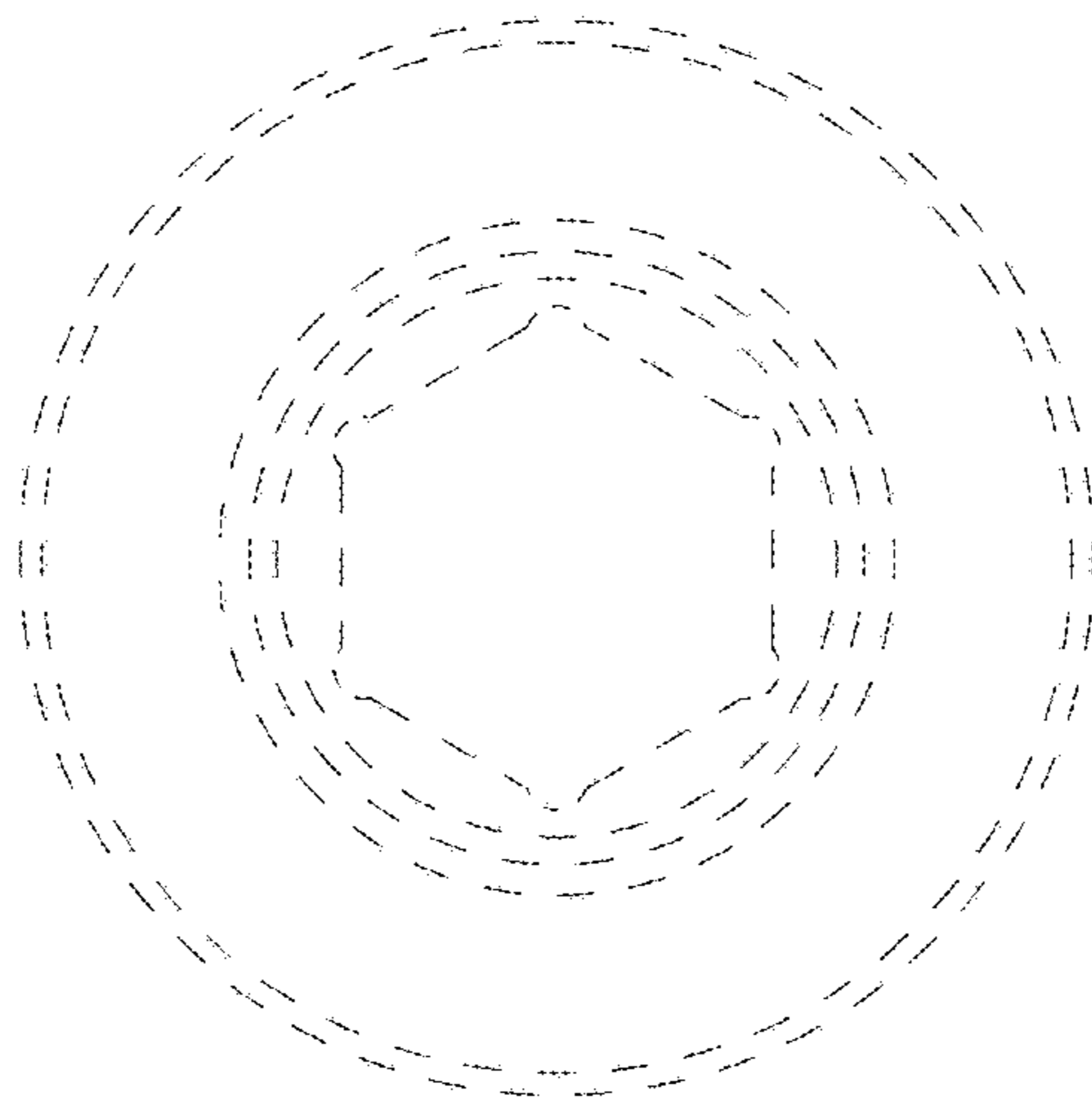


FIG.5

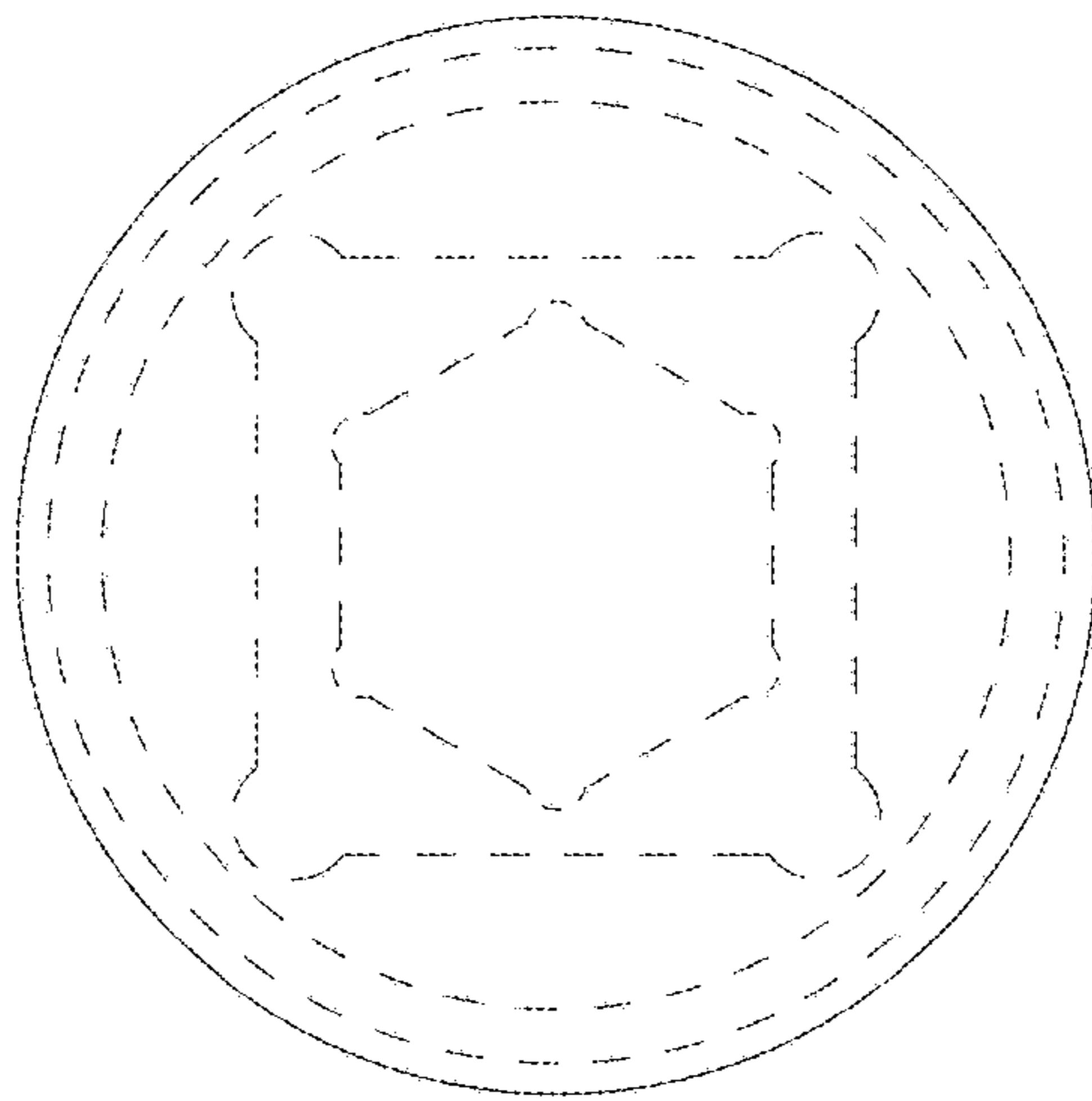


FIG.6