



US00D854898S

(12) **United States Design Patent** (10) **Patent No.:** **US D854,898 S**
Hyma et al. (45) **Date of Patent:** **** Jul. 30, 2019**

(54) **SOCKET**

(71) Applicant: **MILWAUKEE ELECTRIC TOOL CORPORATION**, Brookfield, WI (US)

(72) Inventors: **Steven W. Hyma**, Milwaukee, WI (US); **Jacob A. Krabbe**, Milwaukee, WI (US); **Jacob M. Stadler**, Wauwatosa, WI (US); **Smith C. Theiler**, Plymouth, WI (US)

(73) Assignee: **MILWAUKEE ELECTRIC TOOL CORPORATION**, Brookfield, WI (US)

(**) Term: **15 Years**

(21) Appl. No.: **29/614,671**

(22) Filed: **Aug. 22, 2017**

(51) **LOC (11) Cl.** **08-05**

(52) **U.S. Cl.**
USPC **D8/29**

(58) **Field of Classification Search**
USPC D8/29; 81/60, 177.1, 177.85, 121.1, 81/124.3, 165-170, 110.1, 176.2, 124.6, 81/176.1, 176.15, 177.2, 186; 16/110.1
CPC B25B 13/06; B25B 13/065
See application file for complete search history.

(56) **References Cited**

U.S. PATENT DOCUMENTS

3,405,377 A	10/1968	Pierce	
D256,425 S	8/1980	Hayes	
D436,513 S *	1/2001	Yamakawa D8/29
6,598,498 B1 *	7/2003	Pigford B25B 13/065
			81/121.1
D506,908 S *	7/2005	Hsien D8/29

(Continued)

Primary Examiner — Randall H Gholson

(74) *Attorney, Agent, or Firm* — Michael Best & Friedrich LLP

(57) **CLAIM**

We claim the ornamental design for a socket, as shown and described.

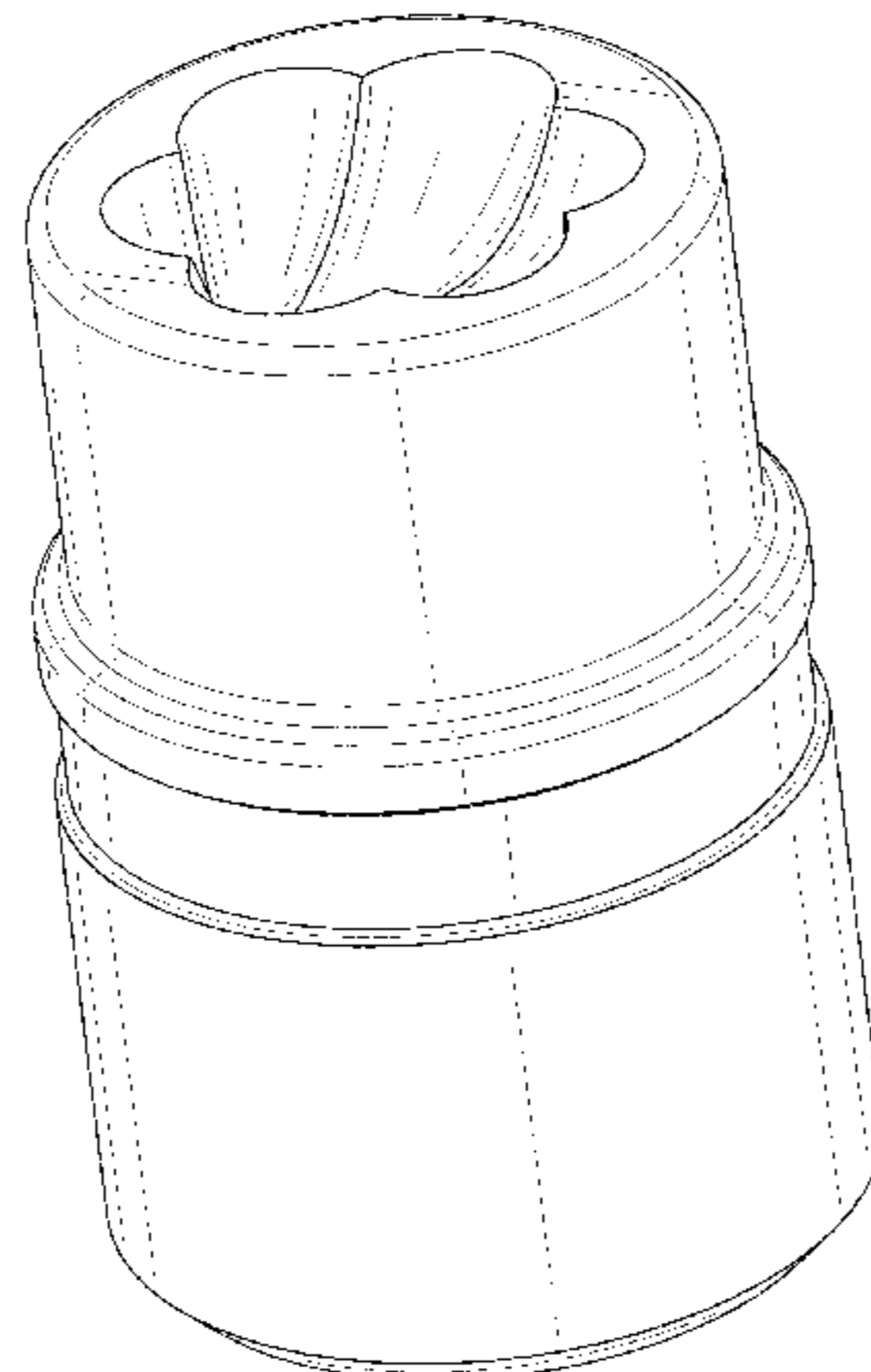
DESCRIPTION

FIG. 1 is a perspective view of a socket embodying the invention;
 FIG. 2 is a first side view of the socket of FIG. 1;
 FIG. 3 is a second side view of the socket of FIG. 1;
 FIG. 4 is a third side view of the socket of FIG. 1;
 FIG. 5 is a fourth side view of the socket of FIG. 1;
 FIG. 6 is a top view of the socket of FIG. 1; and
 FIG. 7 is a bottom view of the socket of FIG. 1.
 FIG. 8 is a perspective view of a socket embodying the invention;
 FIG. 9 is a first side view of the socket of FIG. 8;
 FIG. 10 is a second side view of the socket of FIG. 8;
 FIG. 11 is a third side view of the socket of FIG. 8;
 FIG. 12 is a fourth side view of the socket of FIG. 8;
 FIG. 13 is a top view of the socket of FIG. 8; and
 FIG. 14 is a bottom view of the socket of FIG. 8.
 FIG. 15 is a perspective view of a socket embodying the invention;
 FIG. 16 is a first side view of the socket of FIG. 15;
 FIG. 17 is a second side view of the socket of FIG. 15;
 FIG. 18 is a third side view of the socket of FIG. 15;
 FIG. 19 is a fourth side view of the socket of FIG. 15;
 FIG. 20 is a top view of the socket of FIG. 15; and
 FIG. 21 is a bottom view of the socket of FIG. 15.

The portions of the socket shown in broken lines are included for the purpose of illustrating environment and form no part of the claimed design. The portions of the socket shown in broken lines having unequal length segments illustrate the boundary of the claimed design and form no part of the claimed design.

The surface in FIGS. 8-12 that is stippled illustrates a surface with a first color and the unstippled surfaces illustrate surfaces with a color different than the first color.

1 Claim, 21 Drawing Sheets



(56)

References Cited

U.S. PATENT DOCUMENTS

D544,322 S * 6/2007 Horobec D8/29
7,424,953 B2 9/2008 McCarty et al.
D588,880 S 3/2009 Chou
D596,758 S 7/2009 Constable
D618,969 S 7/2010 Di Bitonto et al.
D632,651 S 2/2011 Foreman et al.
D645,779 S 9/2011 Bradley et al.
D661,902 S 6/2012 Italiano
D666,419 S 9/2012 Riedesel et al.
8,607,670 B2 * 12/2013 Stawarski B25B 27/18
81/121.1
D709,744 S * 7/2014 Kluhsman, Jr. D8/29
D714,062 S 9/2014 Chen
8,955,698 B2 2/2015 Hsieh
D747,103 S 1/2016 Amash
D753,767 S 4/2016 Blette
D755,028 S * 5/2016 Yu D8/29
D789,217 S 6/2017 Anions
D792,178 S * 7/2017 Lee D8/29
D816,163 S 4/2018 Franklin
D837,624 S 1/2019 Tang
D839,030 S 1/2019 Diorio
2013/0193030 A1 8/2013 Kroupa
2015/0034572 A1 2/2015 Kao
2015/0060308 A1 3/2015 Abbott et al.

* cited by examiner

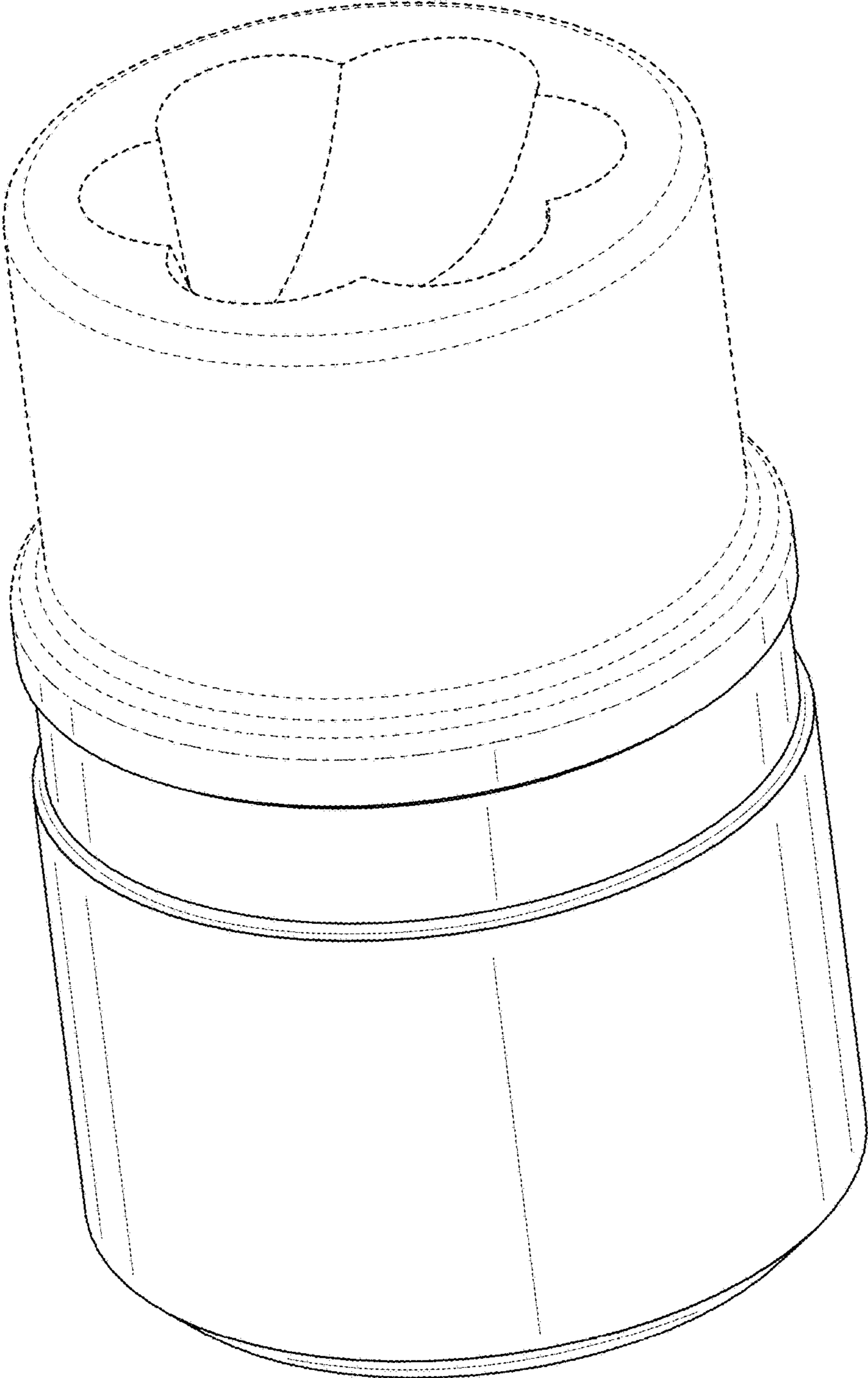


FIG. 1

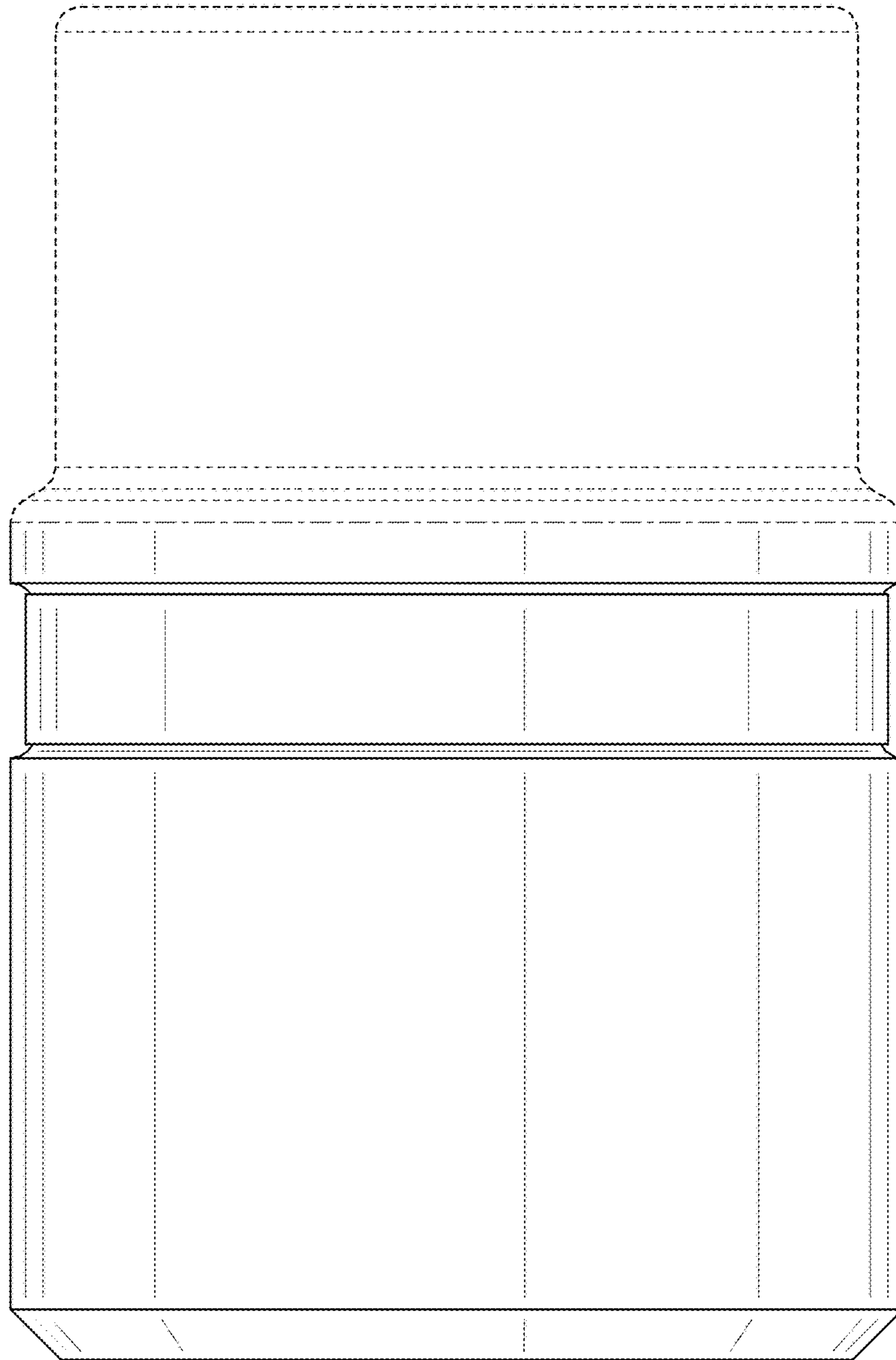


FIG. 2

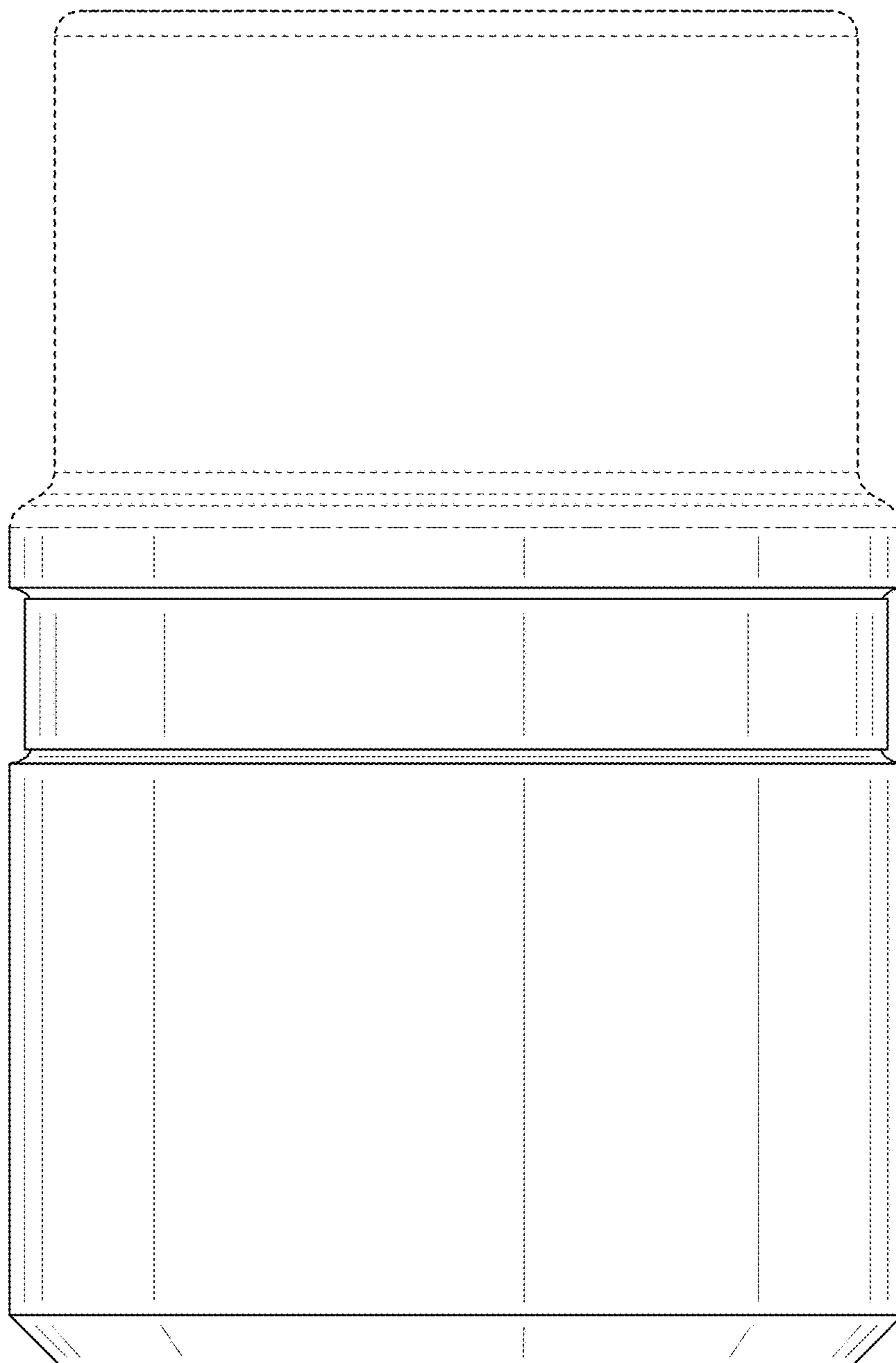


FIG. 3

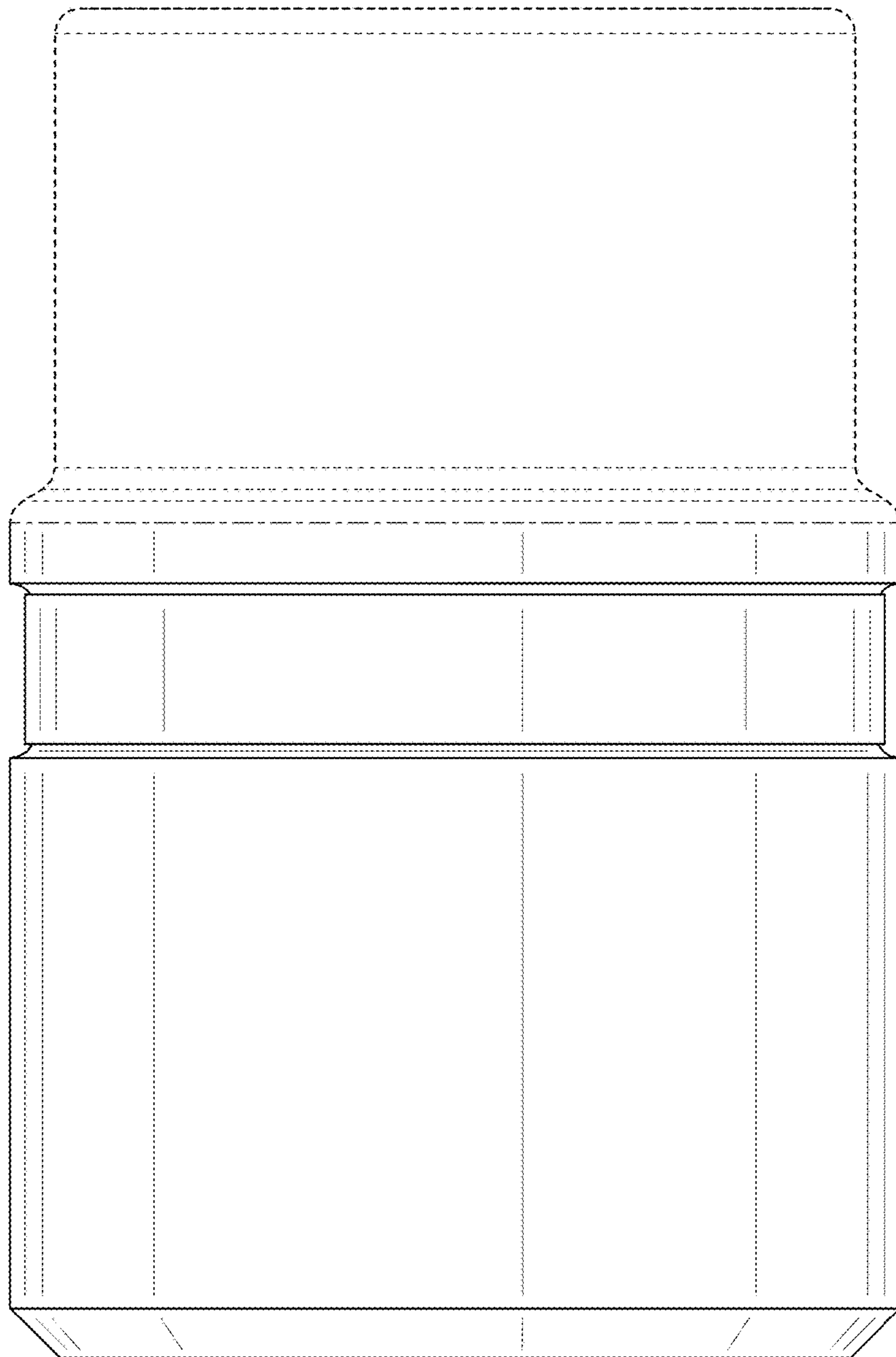


FIG. 4

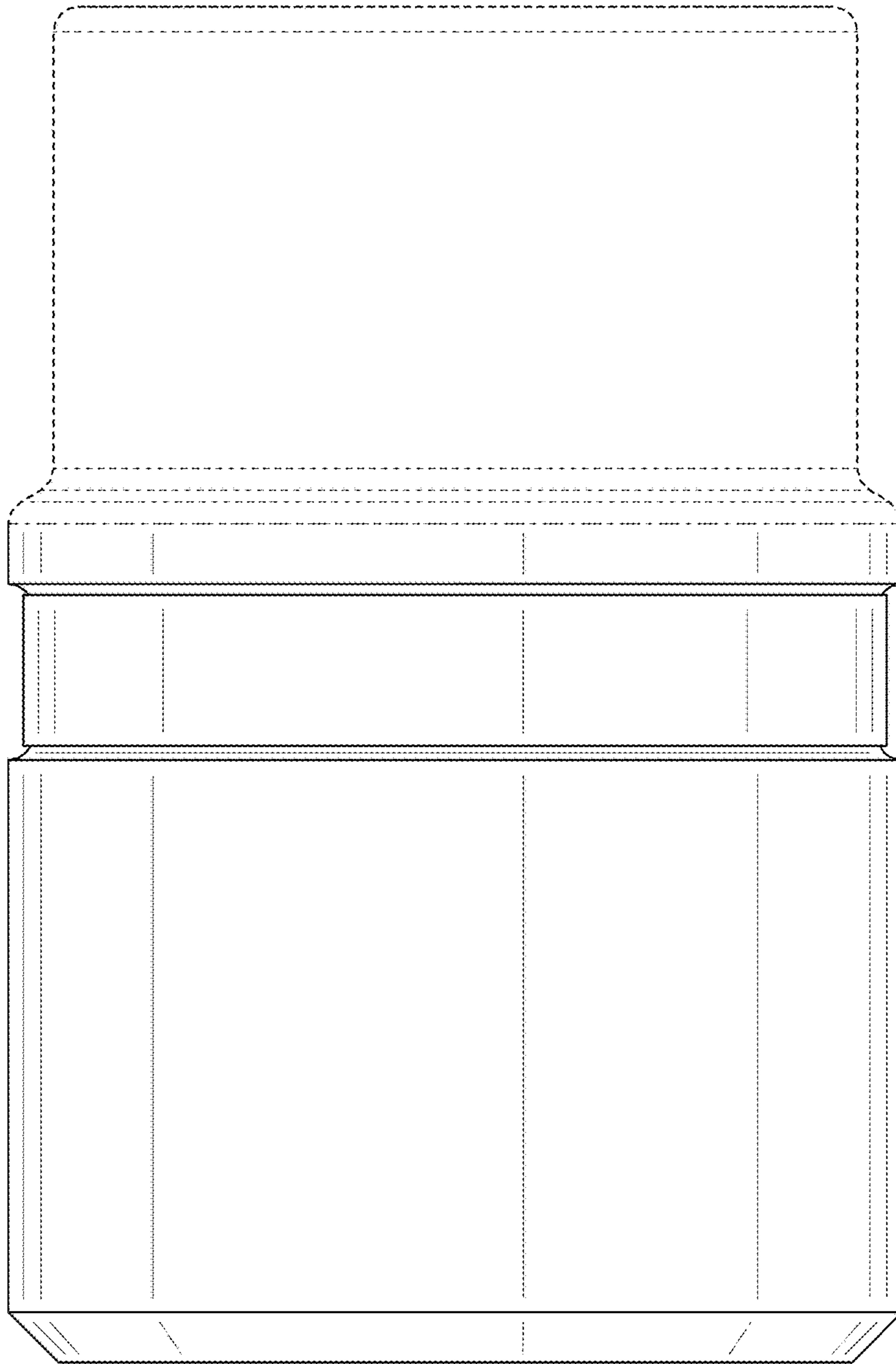


FIG. 5

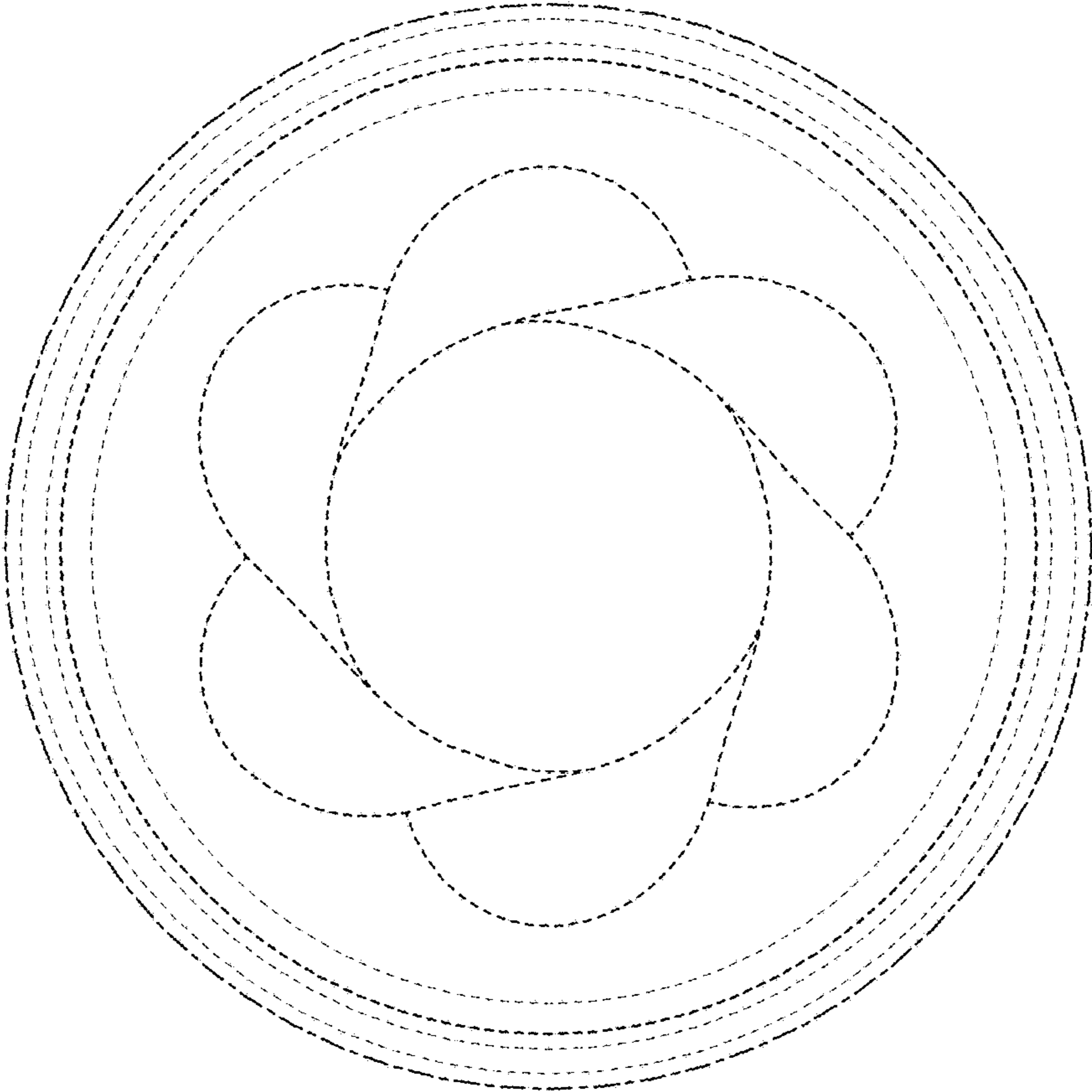


FIG. 6

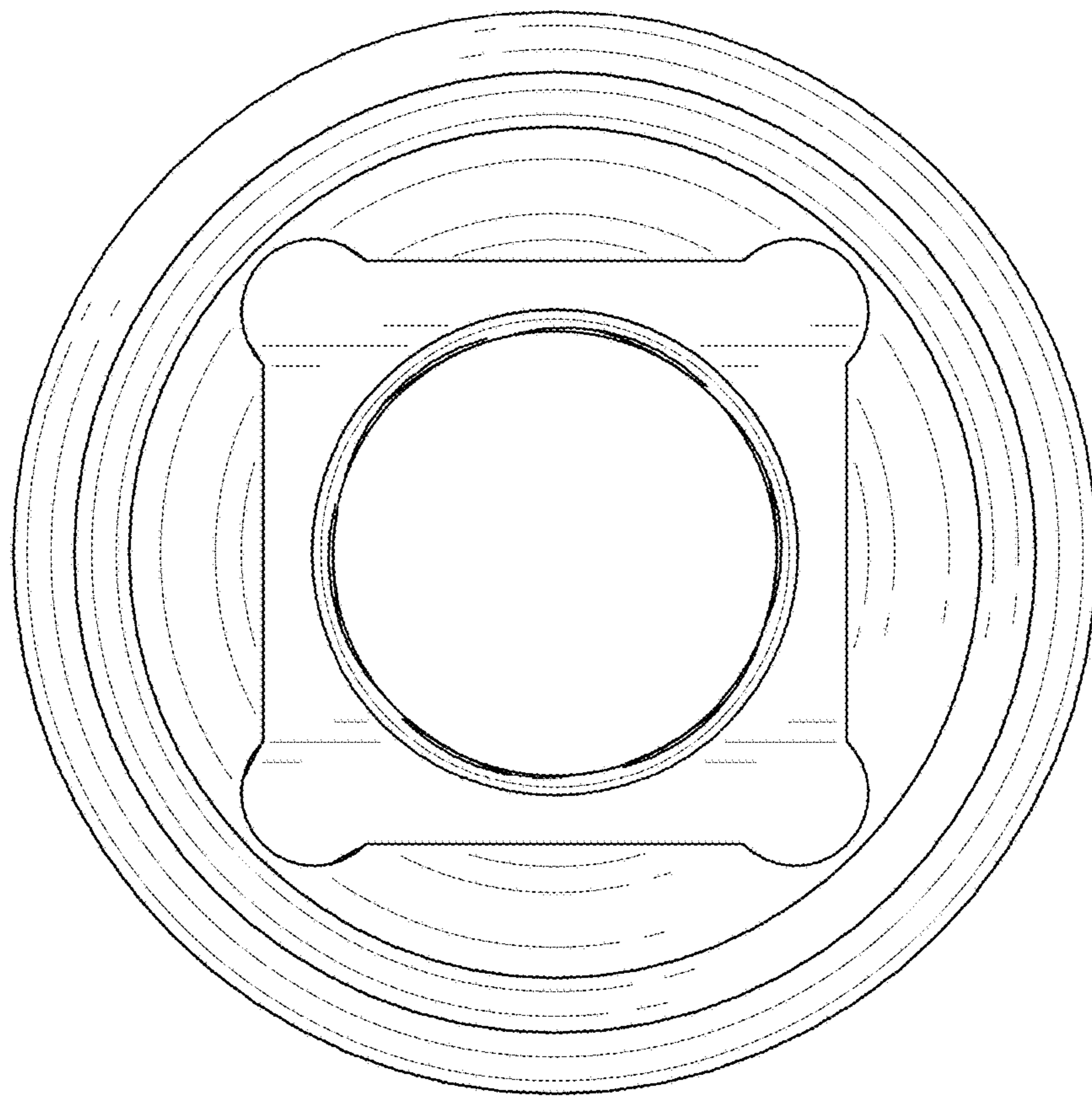


FIG. 7

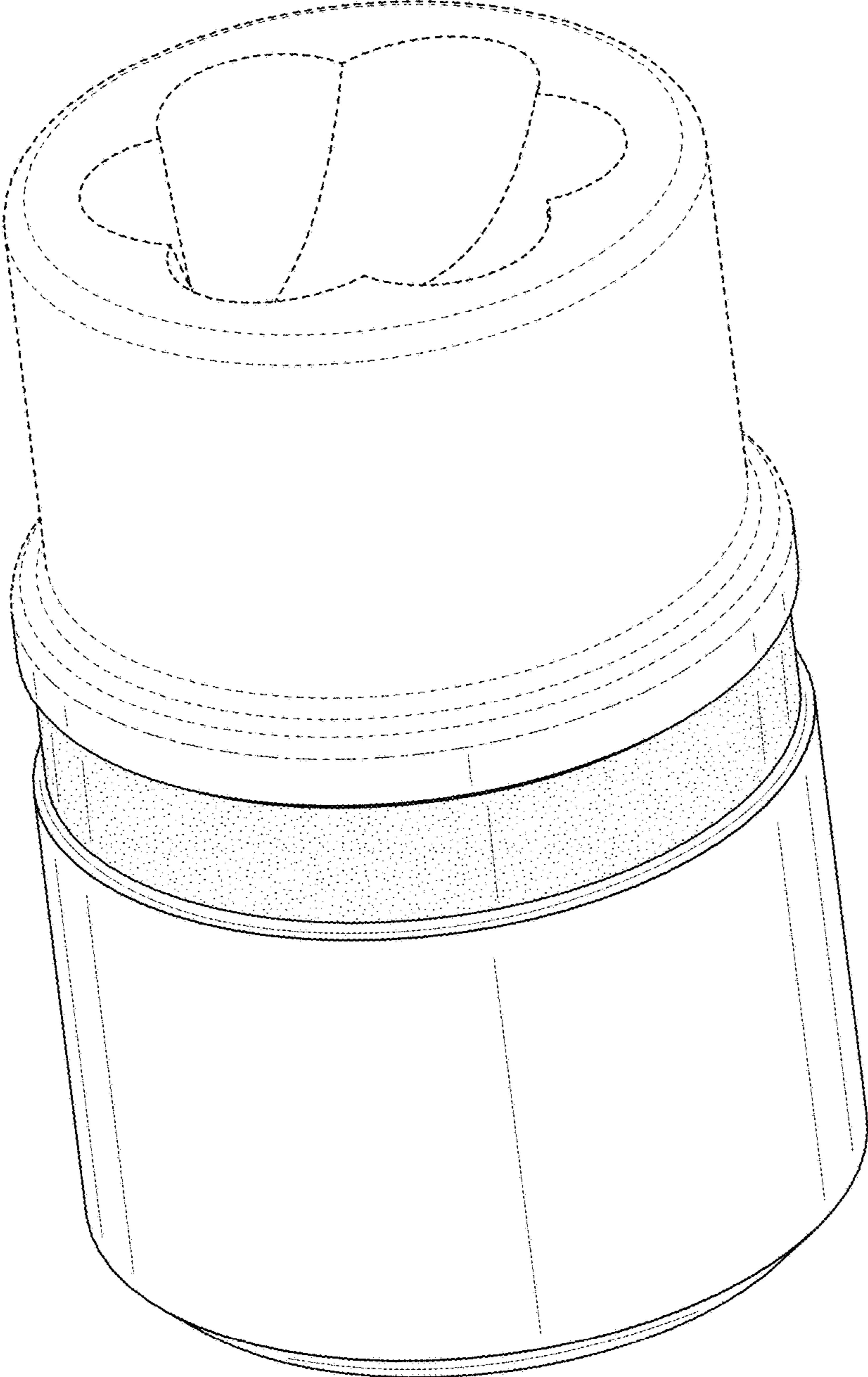


FIG. 8

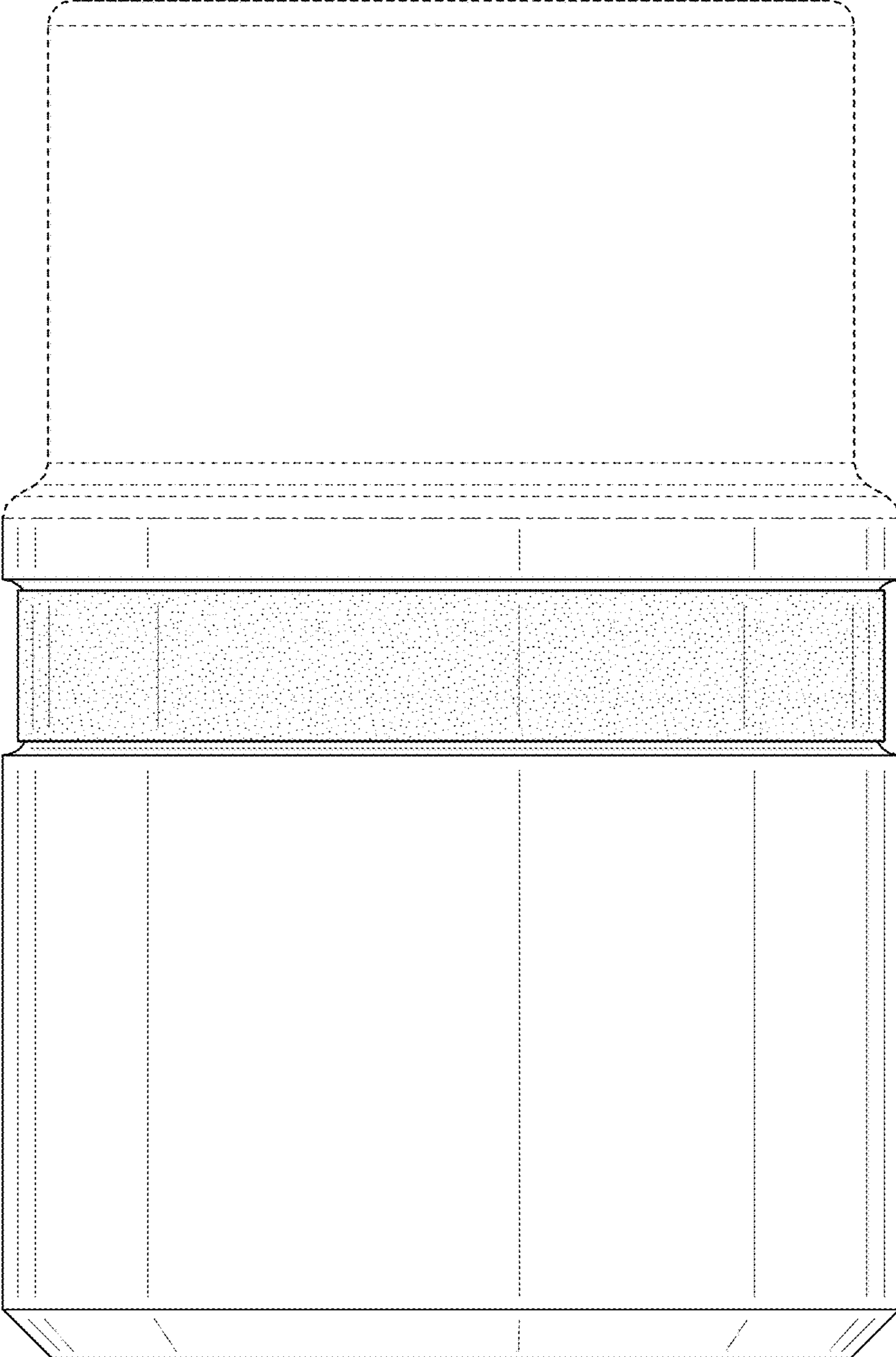


FIG. 9

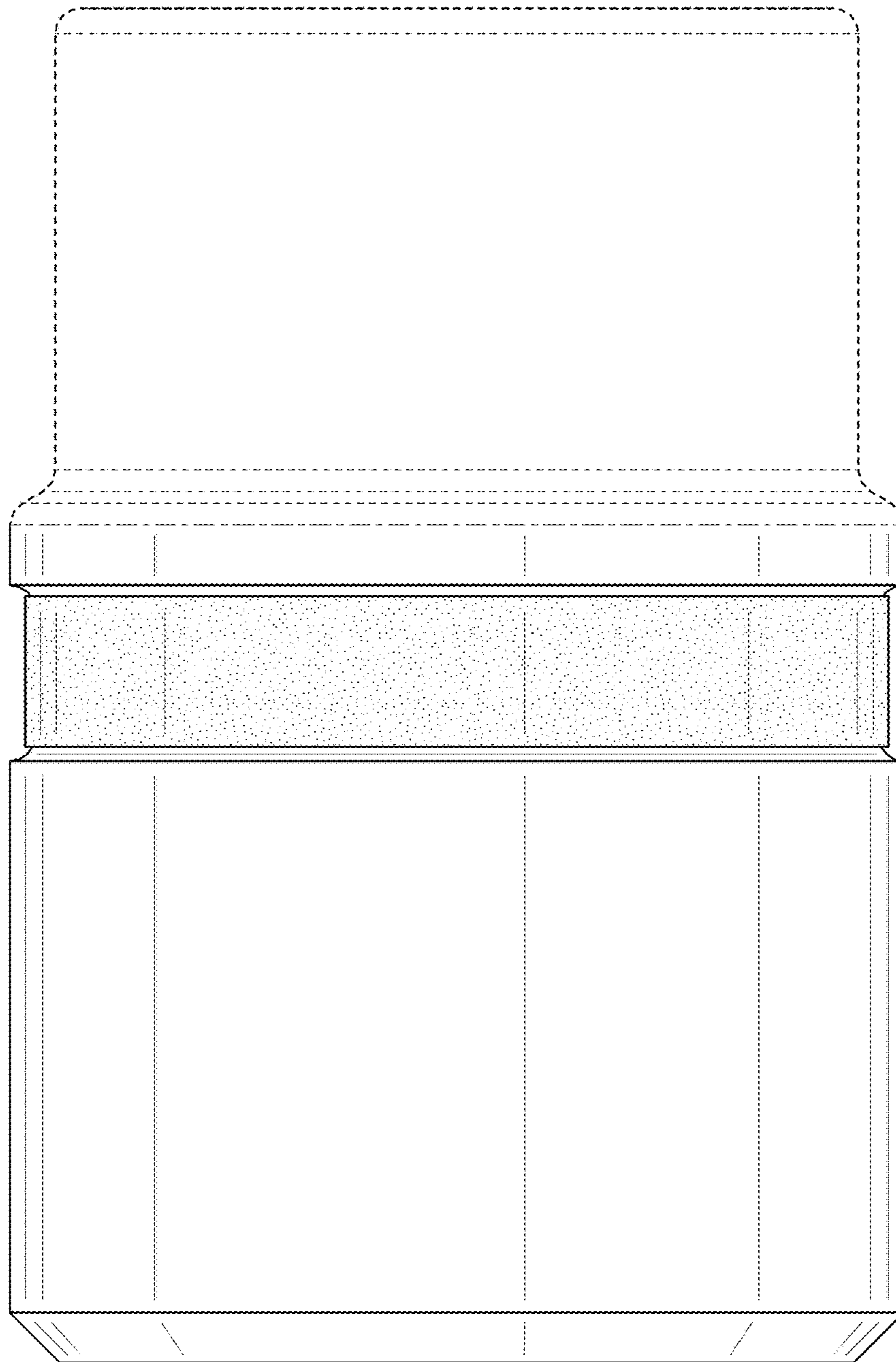


FIG. 10

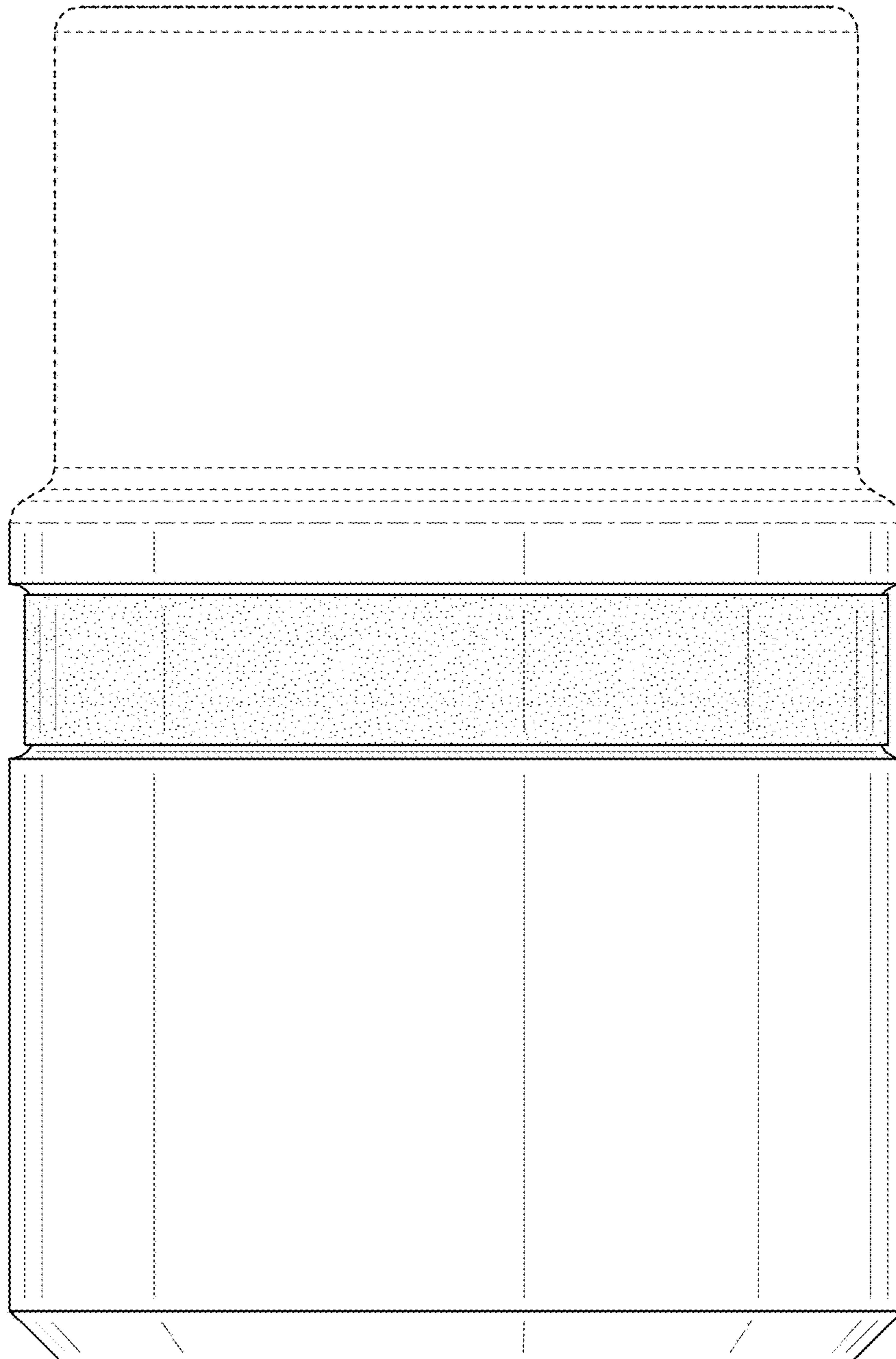


FIG. 11

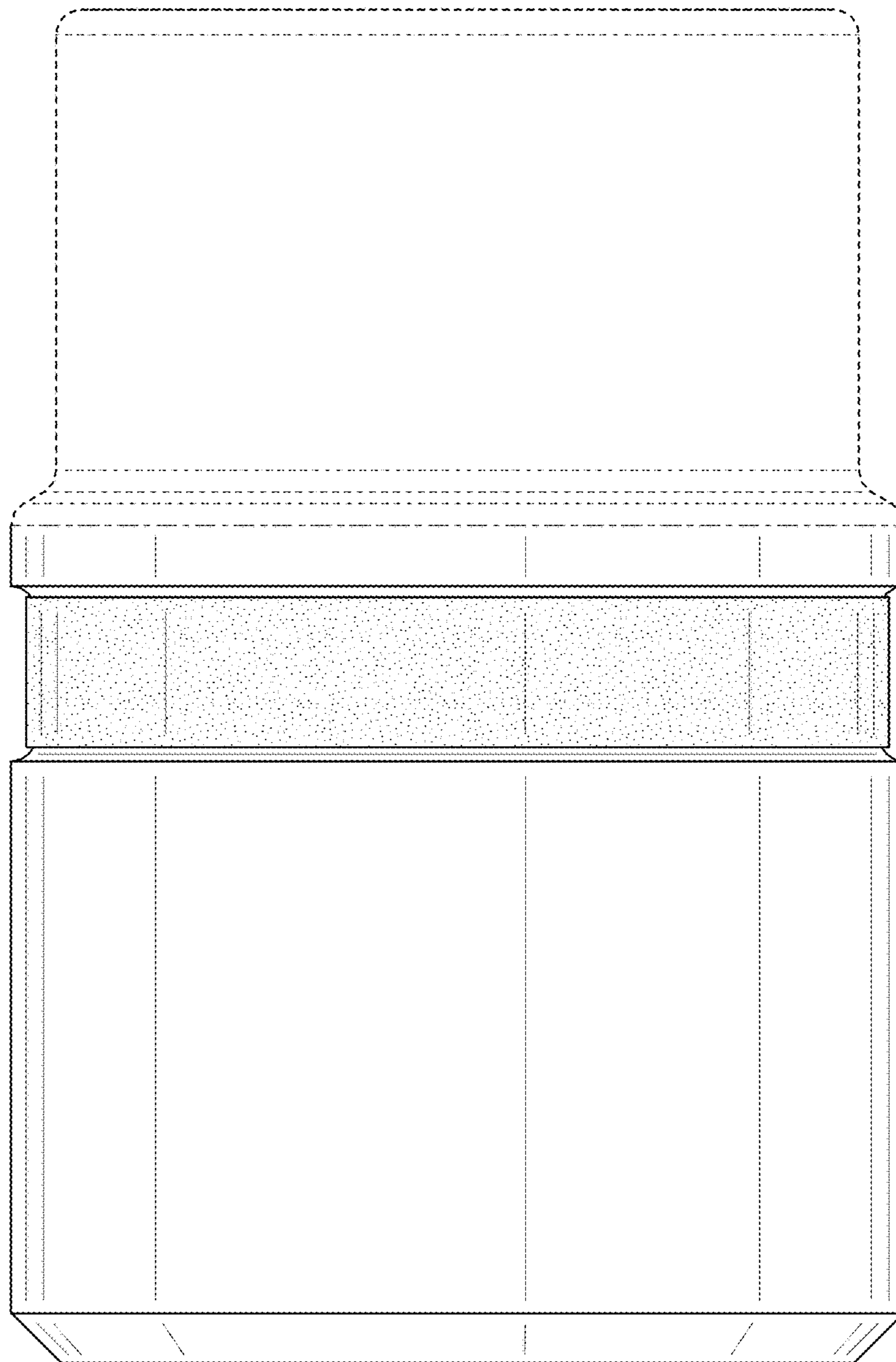


FIG. 12

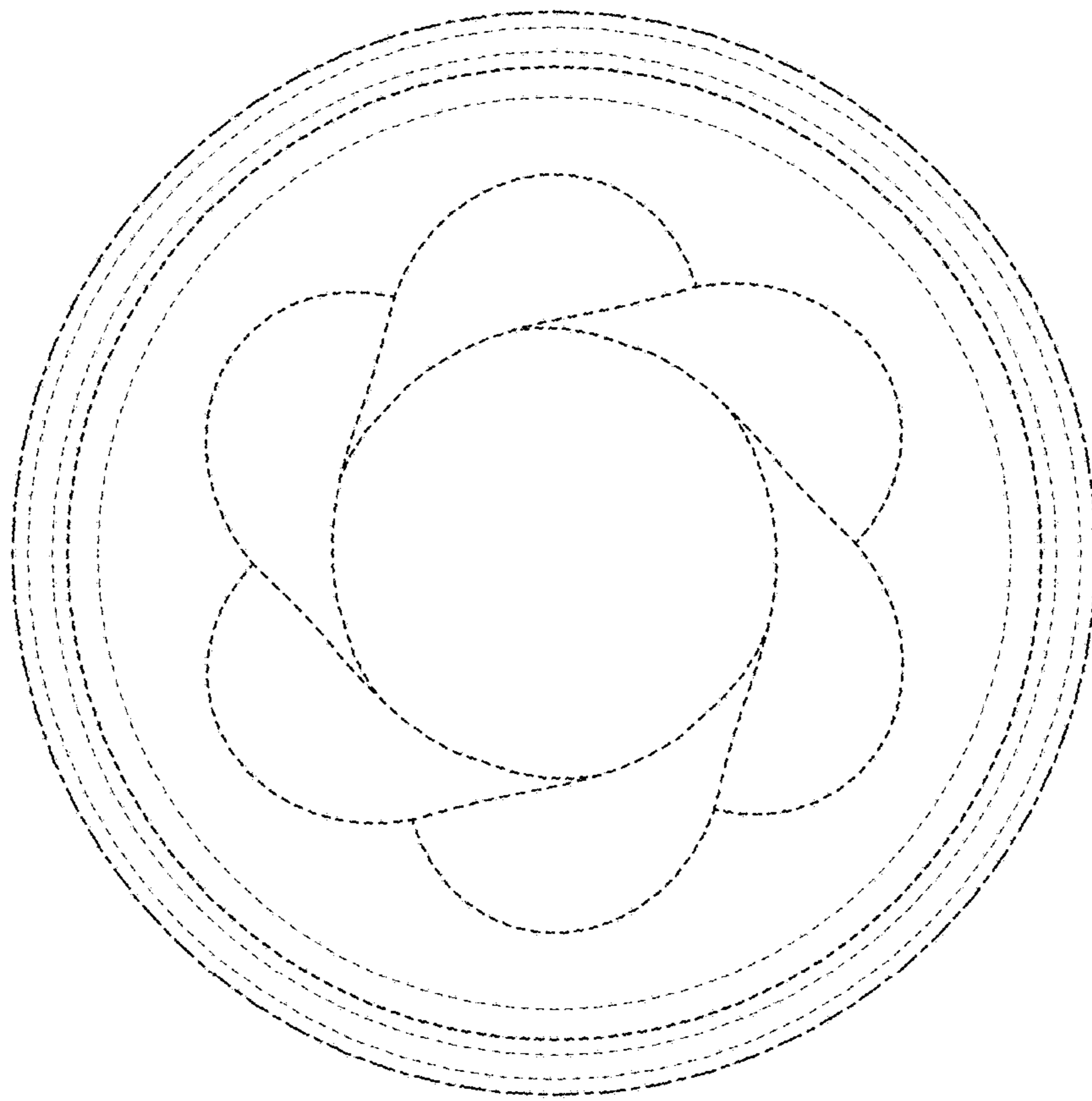


FIG. 13

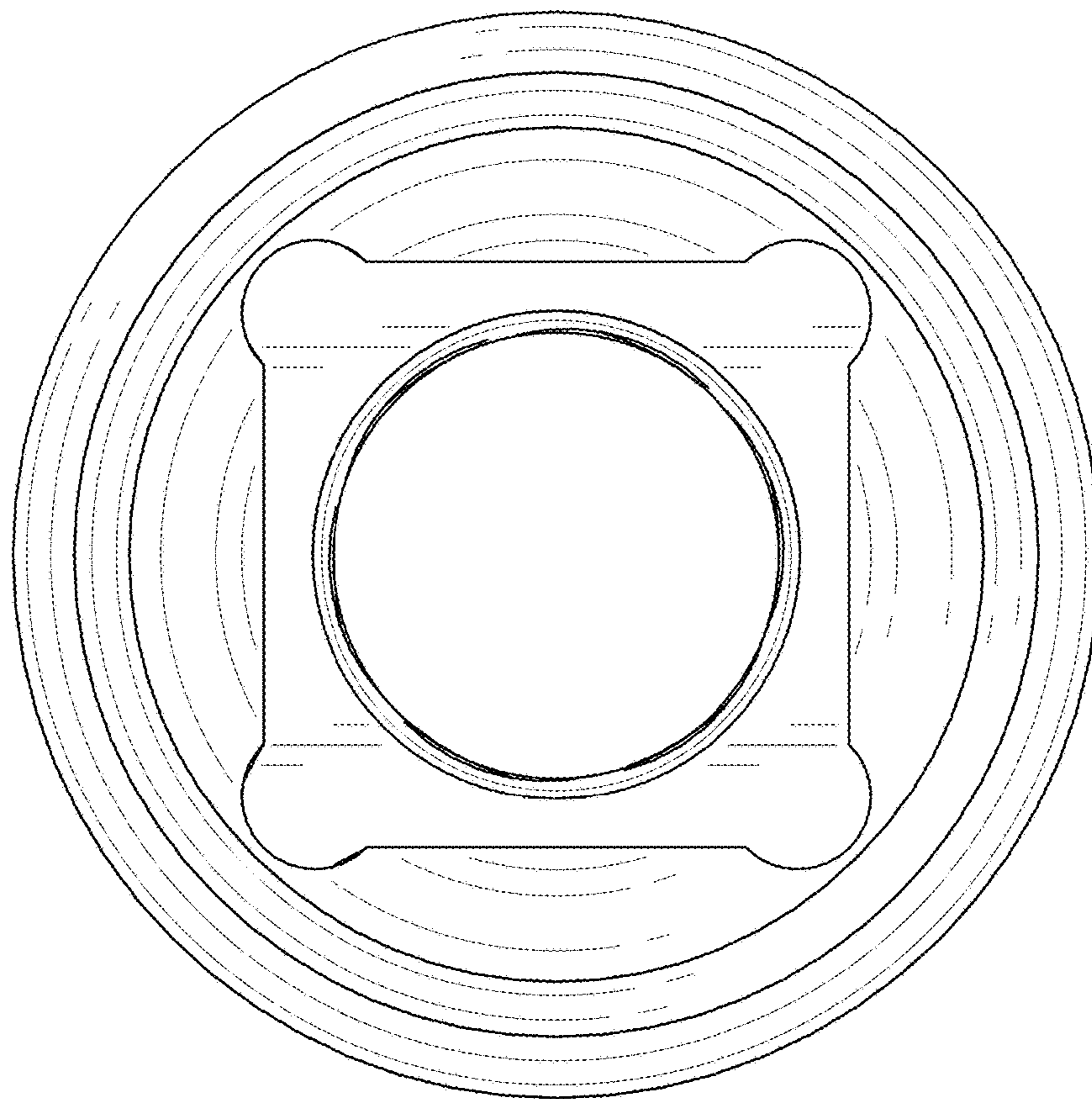


FIG. 14

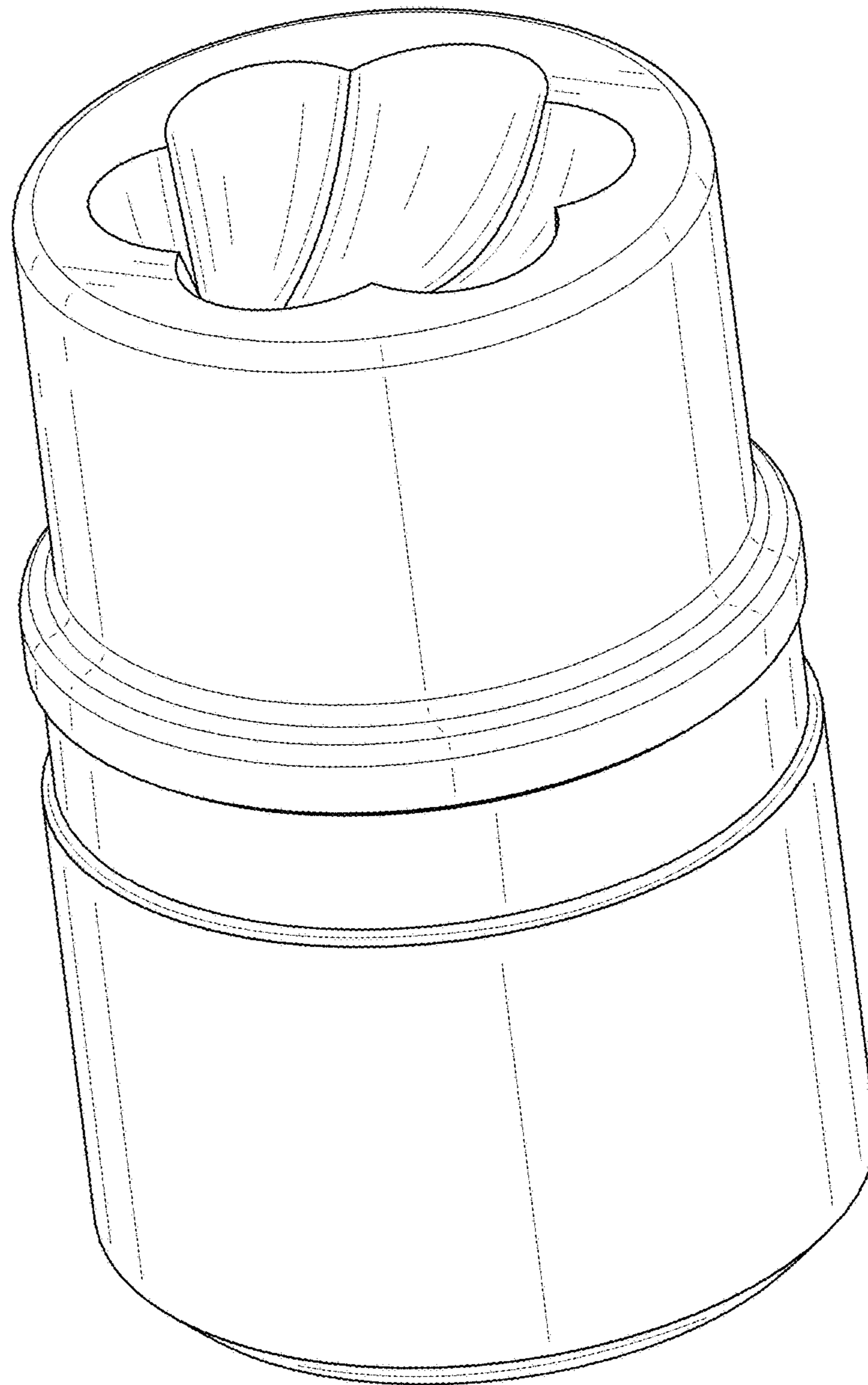


FIG. 15

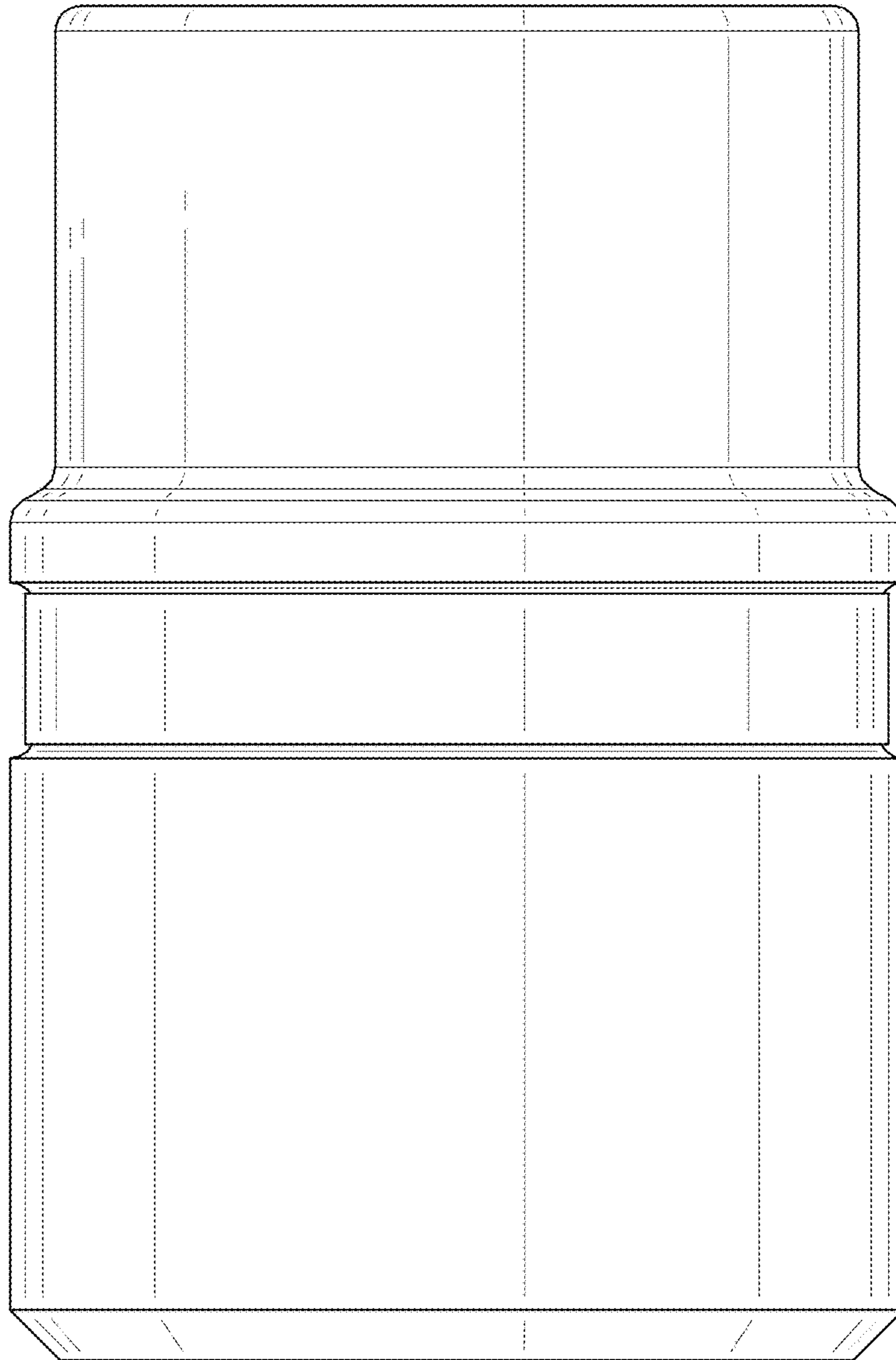


FIG. 16

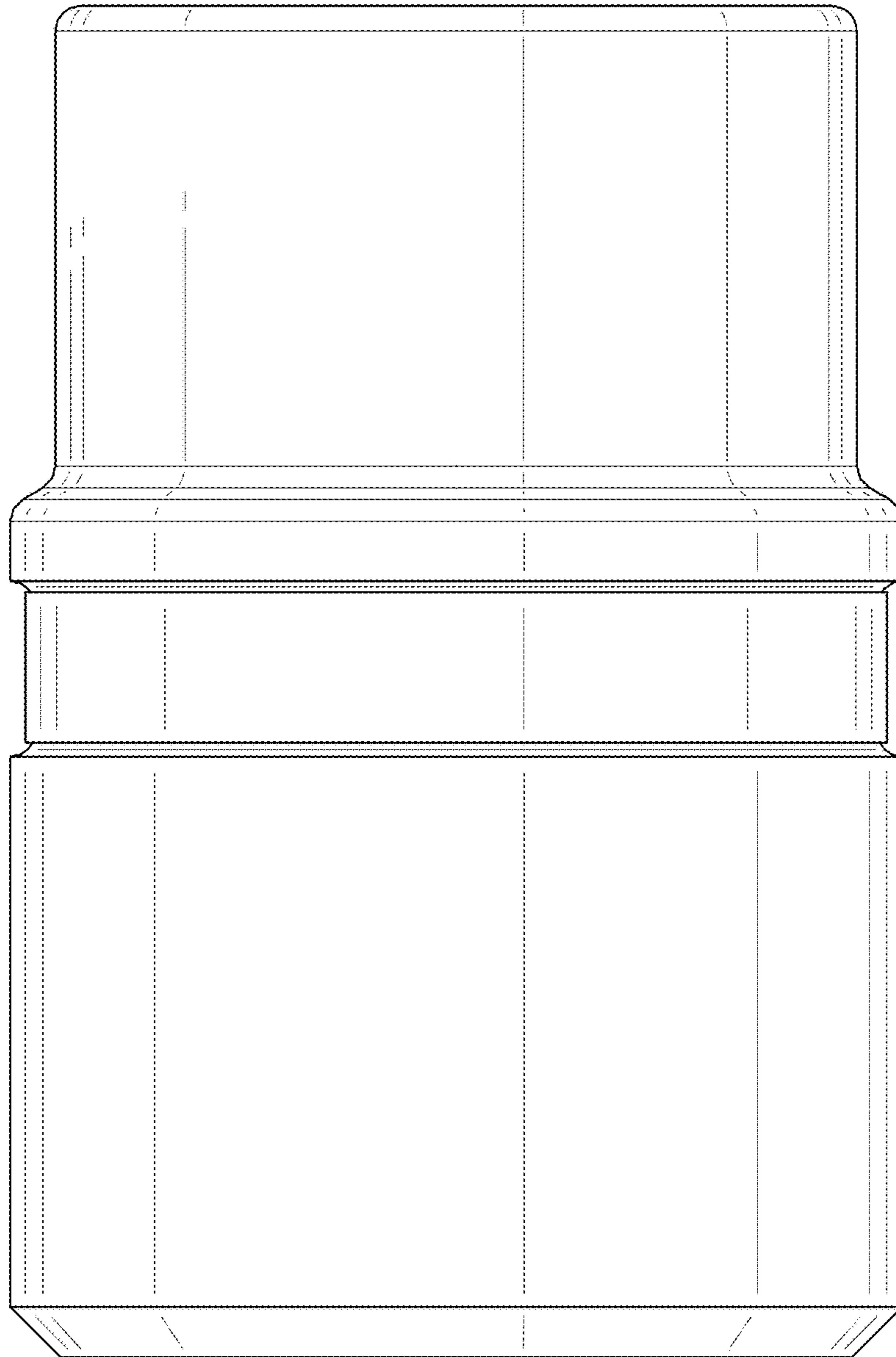


FIG. 17

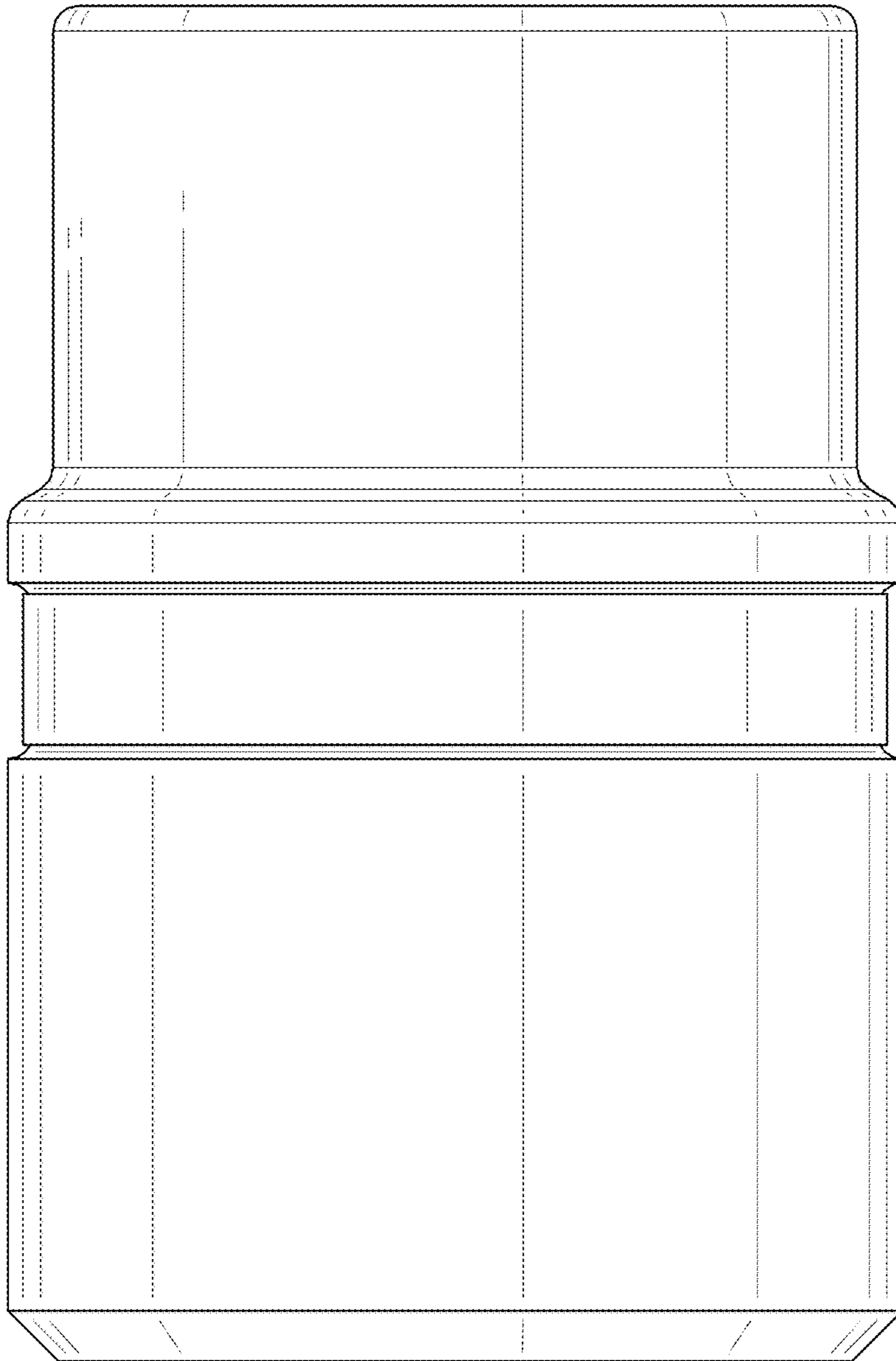


FIG. 18

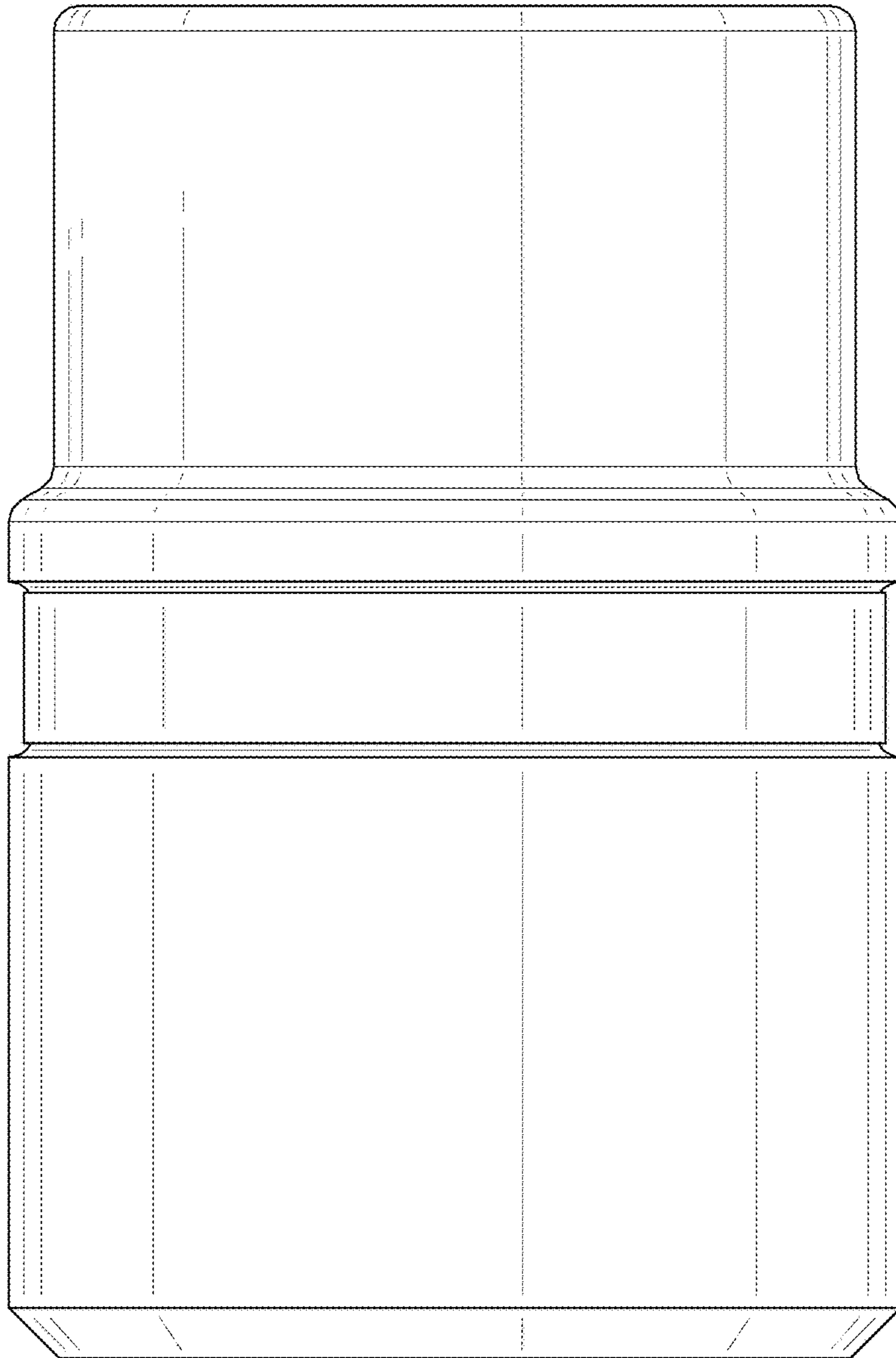


FIG. 19

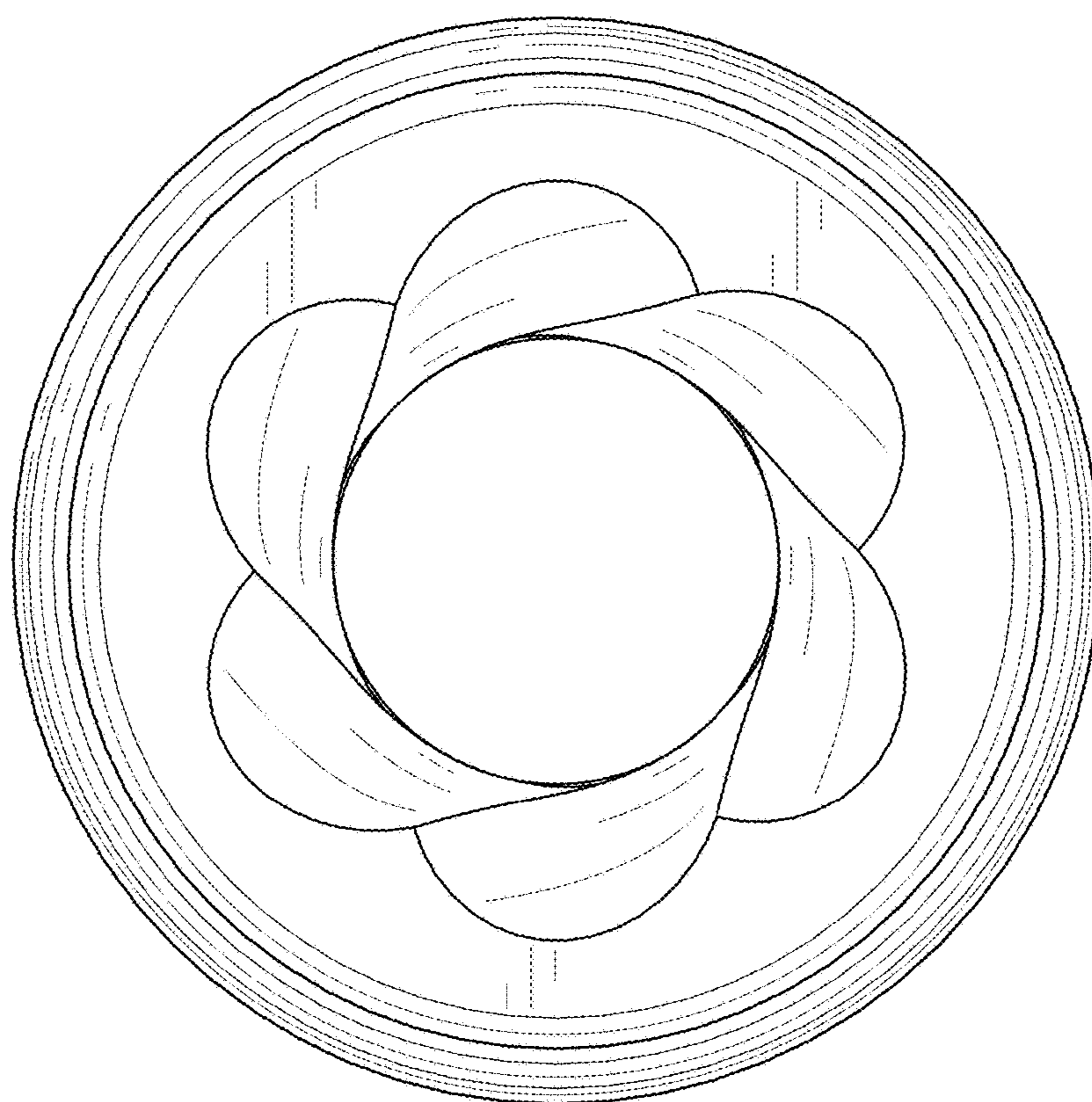


FIG. 20

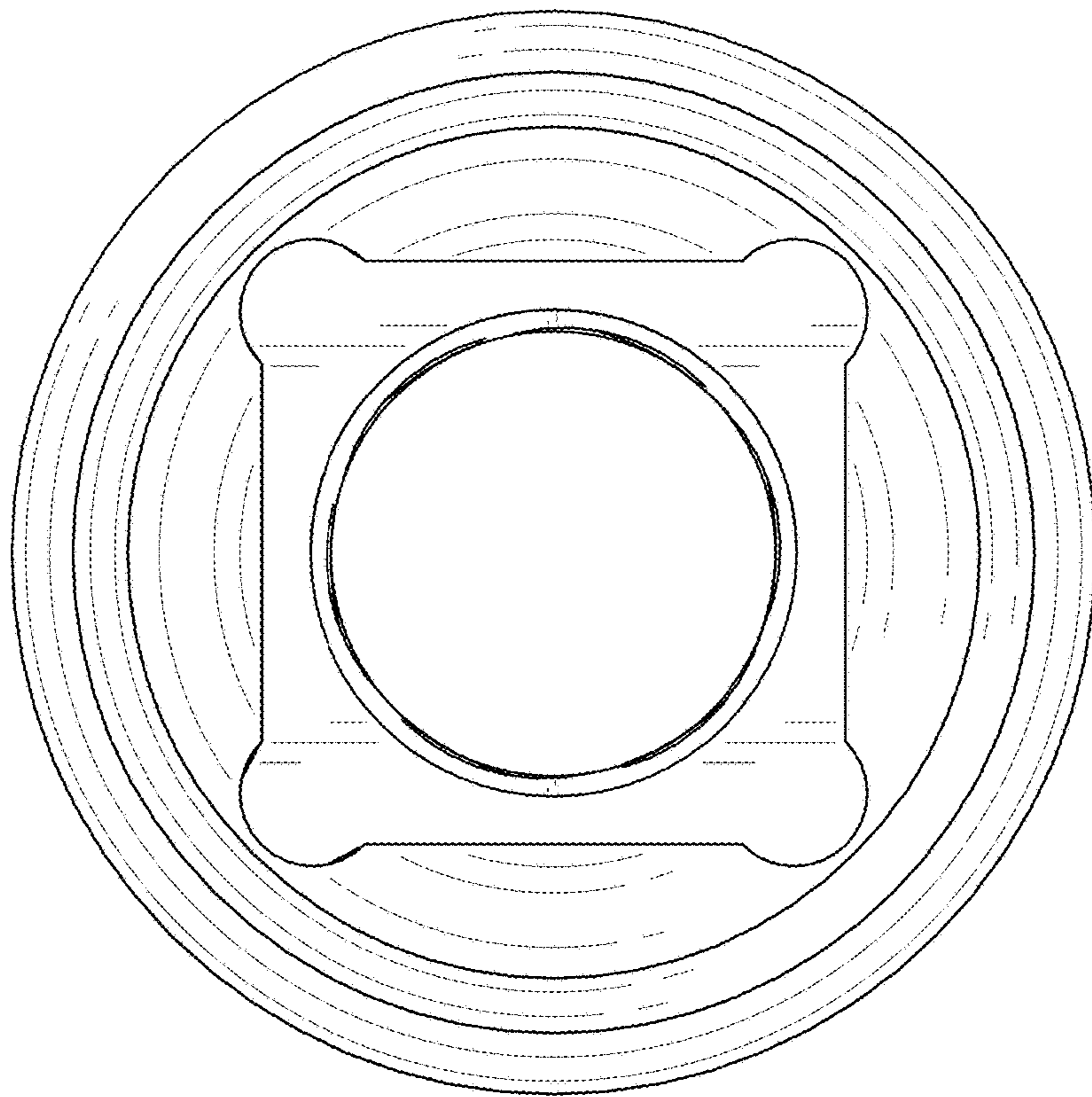


FIG. 21