



US00D854895S

(12) **United States Design Patent** (10) **Patent No.:** **US D854,895 S**
Cigarini (45) **Date of Patent:** **** Jul. 30, 2019**

(54) **HEAD TRIMMER**
(71) Applicant: **TECOMEC S.R.L.**, Reggio Emilia (IT)
(72) Inventor: **Enrico Cigarini**, Reggio Emilia (IT)
(73) Assignee: **TECOMEC S.R.L.**, Reggio Emilia (IT)
(**) Term: **15 Years**
(21) Appl. No.: **29/626,595**
(22) Filed: **Nov. 17, 2017**
(30) **Foreign Application Priority Data**

D479,961 S 9/2003 Iacona
D482,581 S 11/2003 Nystrom
D482,941 S 12/2003 Nystrom
D502,368 S 3/2005 Nystrom et al.
D532,263 S 11/2006 Iacona
D560,107 S 1/2008 Grey
D584,581 S 1/2009 Bradford
D597,804 S 8/2009 Alliss
D598,254 S 8/2009 Alliss
D598,255 S 8/2009 Alliss
7,640,668 B2 1/2010 Iacona
D630,068 S 1/2011 Proulx
7,882,642 B2 2/2011 Proulx
7,913,401 B2 3/2011 Iacona
D638,678 S 5/2011 Proulx
D638,679 S 5/2011 Proulx
D653,920 S 2/2012 Cigarini

(Continued)

Jun. 28, 2017 (EM) 004071454
(51) **LOC (11) Cl.** **08-01**
(52) **U.S. Cl.**
USPC **D8/8**
(58) **Field of Classification Search**
USPC D8/1, 8; D11/139
CPC A01D 34/416; A01D 34/4161; A01D
34/4165; A01D 34/4162; A01D 34/733
See application file for complete search history.

FOREIGN PATENT DOCUMENTS

WO 2013179318 A1 12/2013
Primary Examiner — Sheryl Lane
(74) *Attorney, Agent, or Firm* — Pearne & Gordon LLP

(56) **References Cited**

U.S. PATENT DOCUMENTS

4,152,832 A 5/1979 Akaike et al.
D254,173 S 2/1980 Proulx
4,195,408 A 4/1980 Palmieri et al.
4,276,691 A 7/1981 Palmieri et al.
4,349,962 A 9/1982 Itagaki et al.
D346,727 S 5/1994 Eriksson
D347,773 S 6/1994 Nash
D362,600 S 9/1995 Kiyooka et al.
D370,489 S 6/1996 Taggett et al.
D376,741 S 12/1996 Sadlowski
5,979,064 A 11/1999 Kitz et al.
6,108,914 A 8/2000 Sheldon
D460,904 S 7/2002 Riley et al.
D465,975 S 11/2002 Iacona

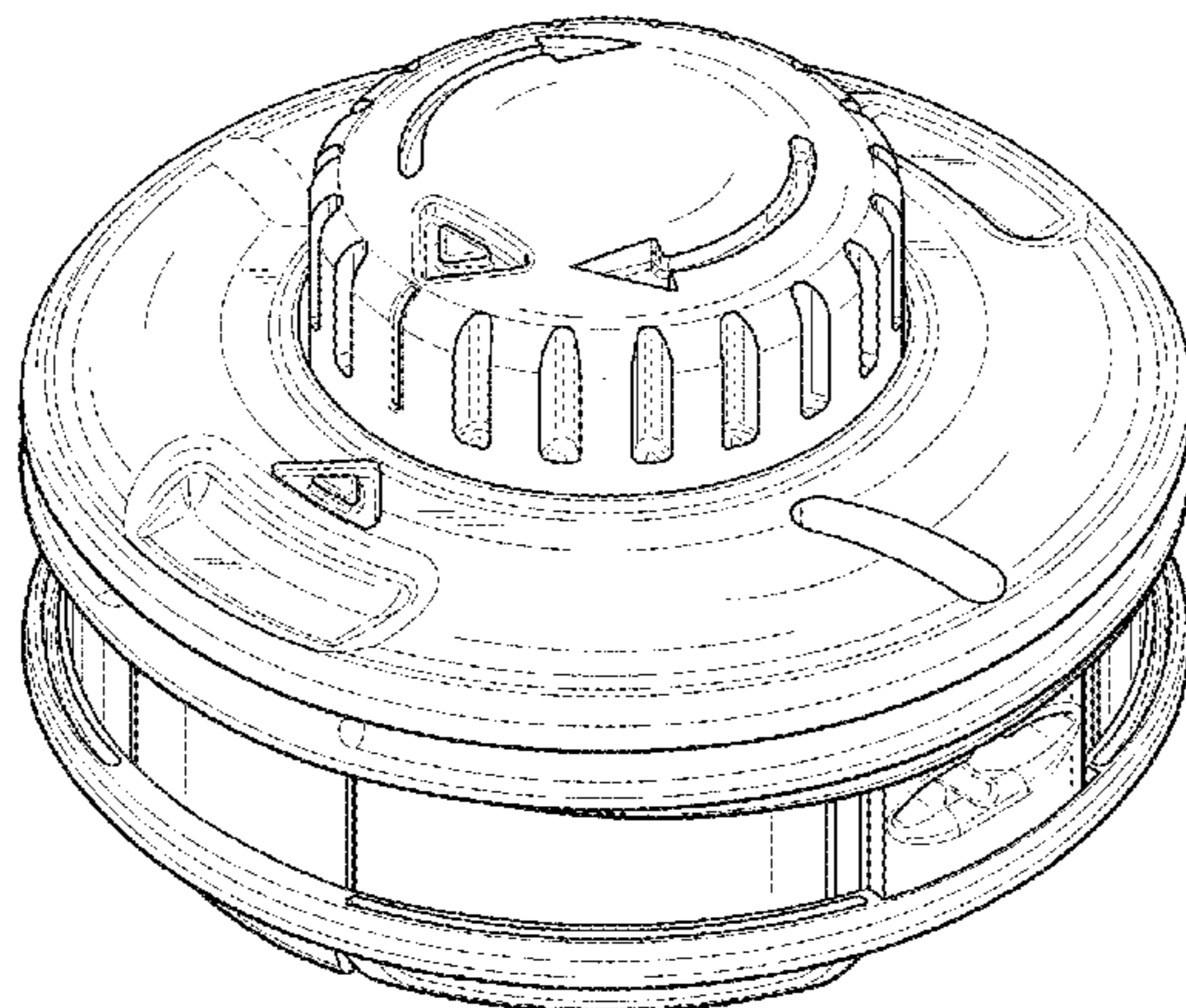
(57) **CLAIM**

The ornamental design for a head trimmer, as shown and described.

DESCRIPTION

FIG. 1 is a perspective view of a head trimmer, showing my new design;
FIG. 2 is a top view thereof;
FIG. 3 is a left side view thereof;
FIG. 4 is a front view thereof;
FIG. 5 is a back view thereof;
FIG. 6 is a right side view thereof; and,
FIG. 7 is a bottom view thereof.
The broken lines in the drawings represent unclaimed subject matter and form no part of the claimed design.

1 Claim, 4 Drawing Sheets



(56)

References Cited

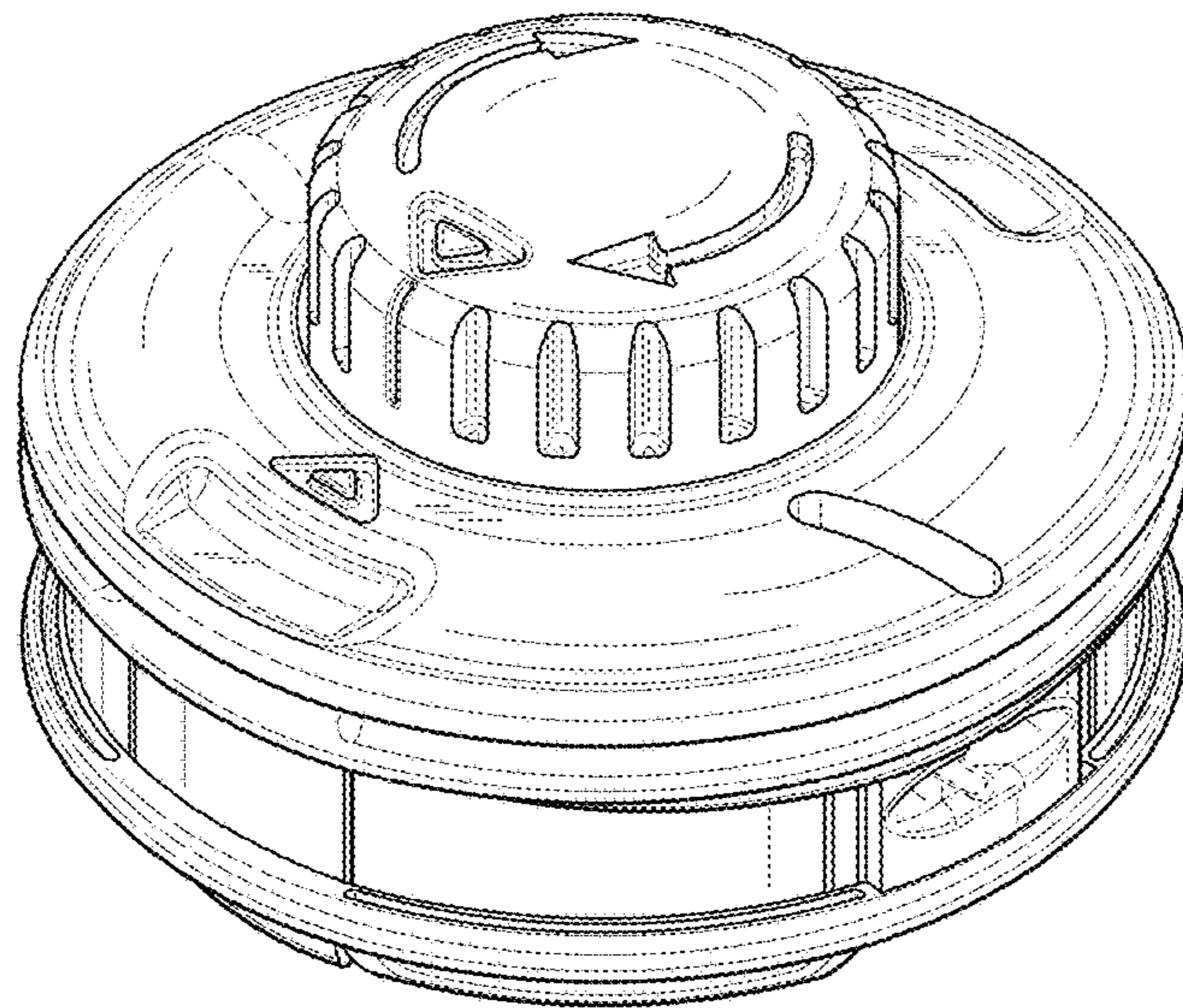
U.S. PATENT DOCUMENTS

D668,517 S 10/2012 Landberg
 8,510,960 B2 8/2013 Pfaltzgraff et al.
 8,567,073 B2 10/2013 Proulx
 8,689,451 B2 4/2014 Cigarini
 D715,608 S 10/2014 Cigarini
 8,869,405 B2 10/2014 Codeluppi et al.
 D720,970 S 1/2015 Hermann
 8,925,206 B2 1/2015 Cigarini
 D727,116 S 4/2015 Tinius
 D727,695 S 4/2015 Tinius
 D759,445 S 6/2016 Tinius
 D763,640 S 8/2016 Cigarini et al.
 D776,995 S 1/2017 Schoch
 D776,997 S 1/2017 Tinius
 D796,293 S 9/2017 Alliss
 9,750,181 B2 9/2017 Cigarini
 D823,080 S * 7/2018 Cigarini D8/8
 2002/0189107 A1 12/2002 Arnetoli
 2007/0214655 A1 9/2007 Arnetoli
 2008/0053052 A1 3/2008 Cigarini
 2009/0172955 A1 7/2009 Morris et al.
 2010/0154229 A1 6/2010 Iacona
 2010/0180451 A1 7/2010 Reynolds et al.
 2011/0000091 A1 1/2011 Proulx

2011/0119932 A1 5/2011 Pfaltzgraff et al.
 2011/0214295 A1 9/2011 Proulx
 2011/0225832 A1 9/2011 Alliss
 2011/0289785 A1 12/2011 Jerez
 2011/0302791 A1 12/2011 Proulx et al.
 2011/0302793 A1 12/2011 Alliss
 2012/0131804 A1 5/2012 Cigarini
 2012/0260508 A1 10/2012 Duvall
 2014/0033546 A1 2/2014 Arnetoli
 2014/0215835 A1 8/2014 Racov et al.
 2014/0250699 A1 9/2014 Weimer et al.
 2014/0259692 A1 9/2014 Racov et al.
 2015/0010199 A1 1/2015 Kim et al.
 2015/0101199 A1 4/2015 Cigarini
 2015/0223395 A1 8/2015 Pellenc et al.
 2015/0289446 A1 10/2015 Duvall
 2015/0327436 A1 11/2015 Skinner et al.
 2015/0366131 A1 12/2015 Skinner
 2016/0106032 A1 4/2016 Cigarini et al.
 2016/0106033 A1 4/2016 Longo et al.
 2016/0106034 A1 4/2016 Arnetoli
 2016/0106035 A1 4/2016 Longo et al.
 2016/0143219 A1 5/2016 Yuan et al.
 2016/0235001 A1 8/2016 Cigarini et al.
 2016/0330903 A1 11/2016 Miller et al.
 2017/0094900 A1 4/2017 Arnetoli
 2017/0208739 A1 7/2017 Arnetoli

* cited by examiner

FIG. 1



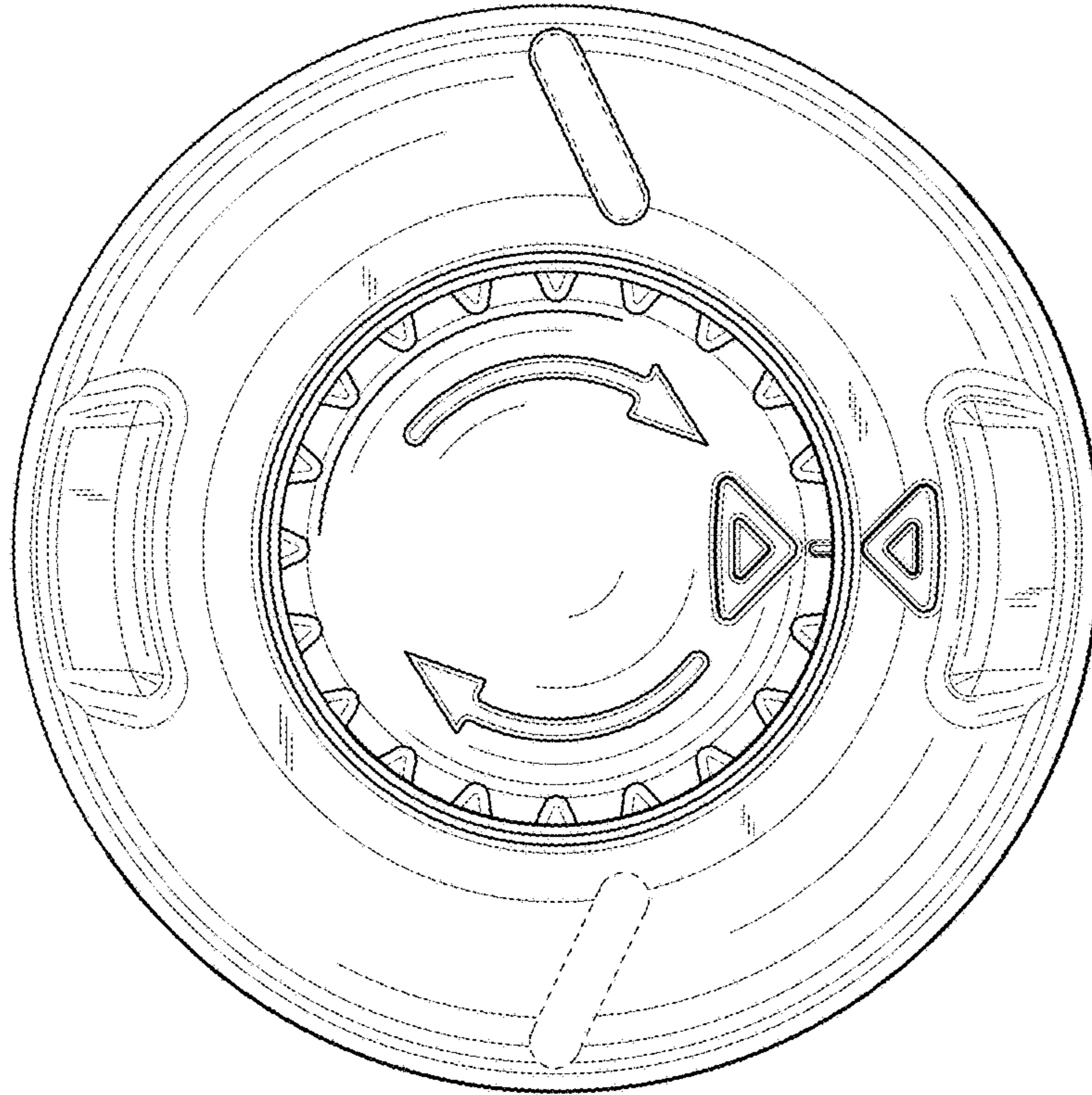


FIG. 2

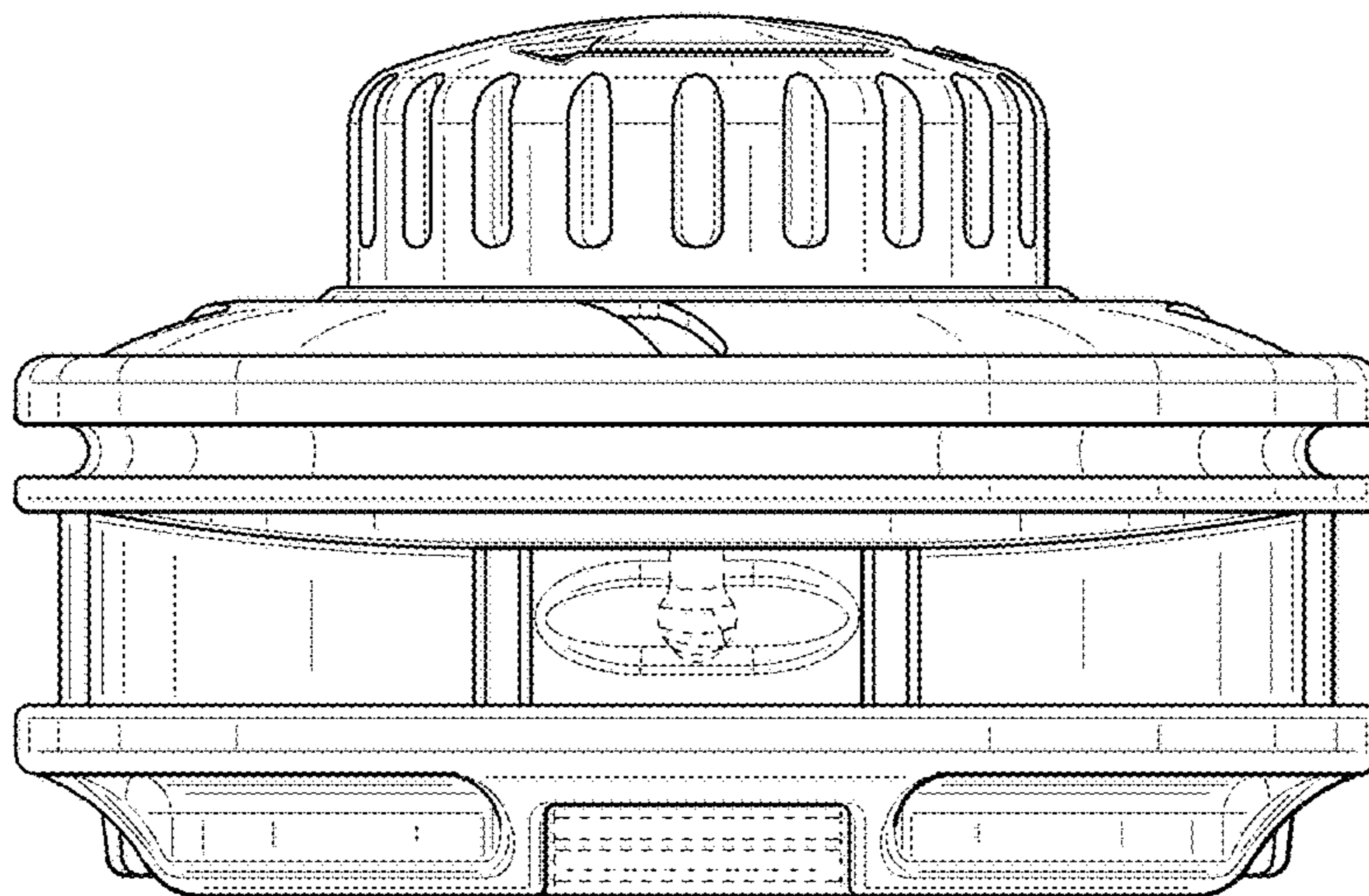


FIG. 3

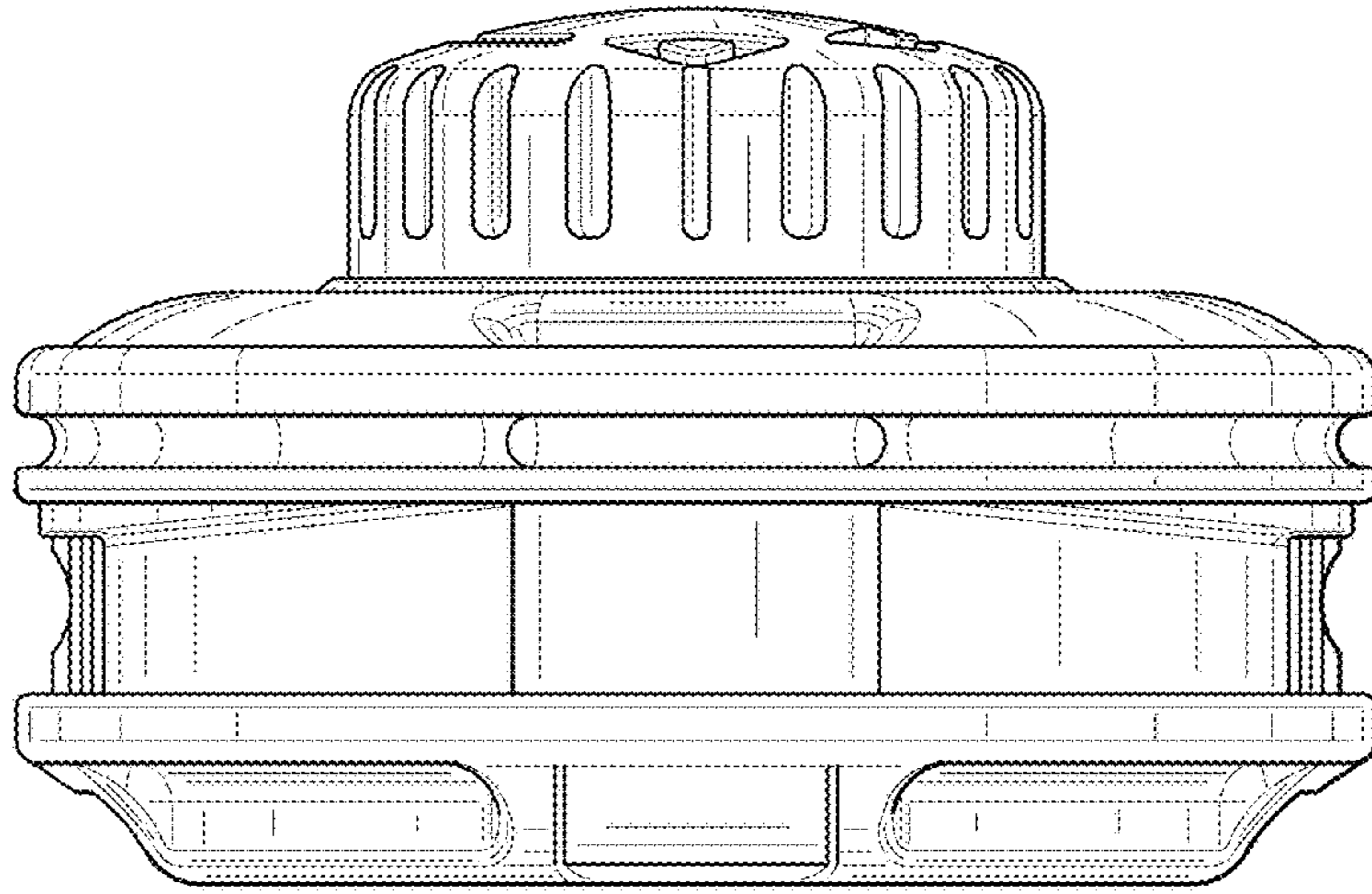


FIG. 4

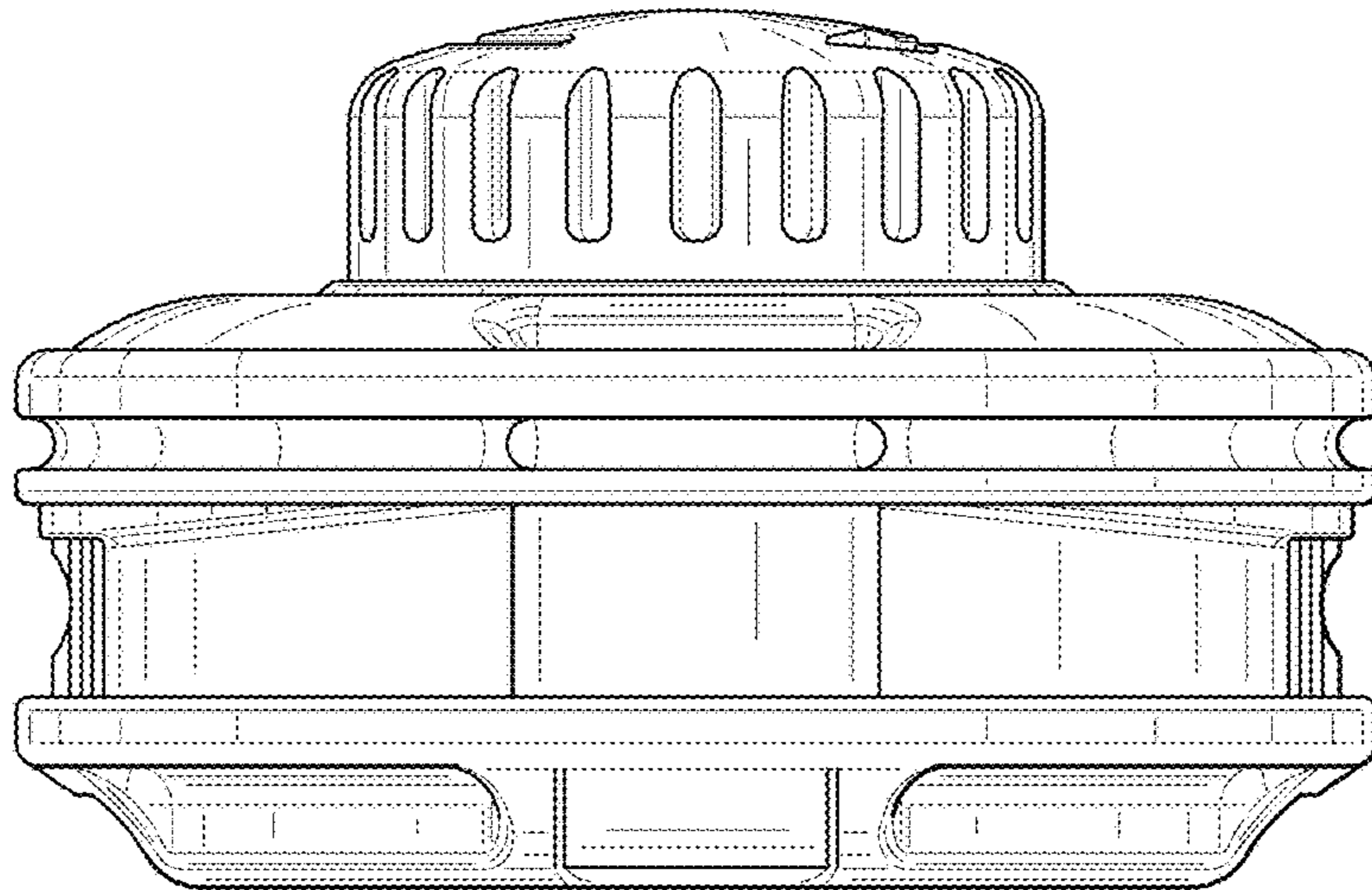


FIG. 5

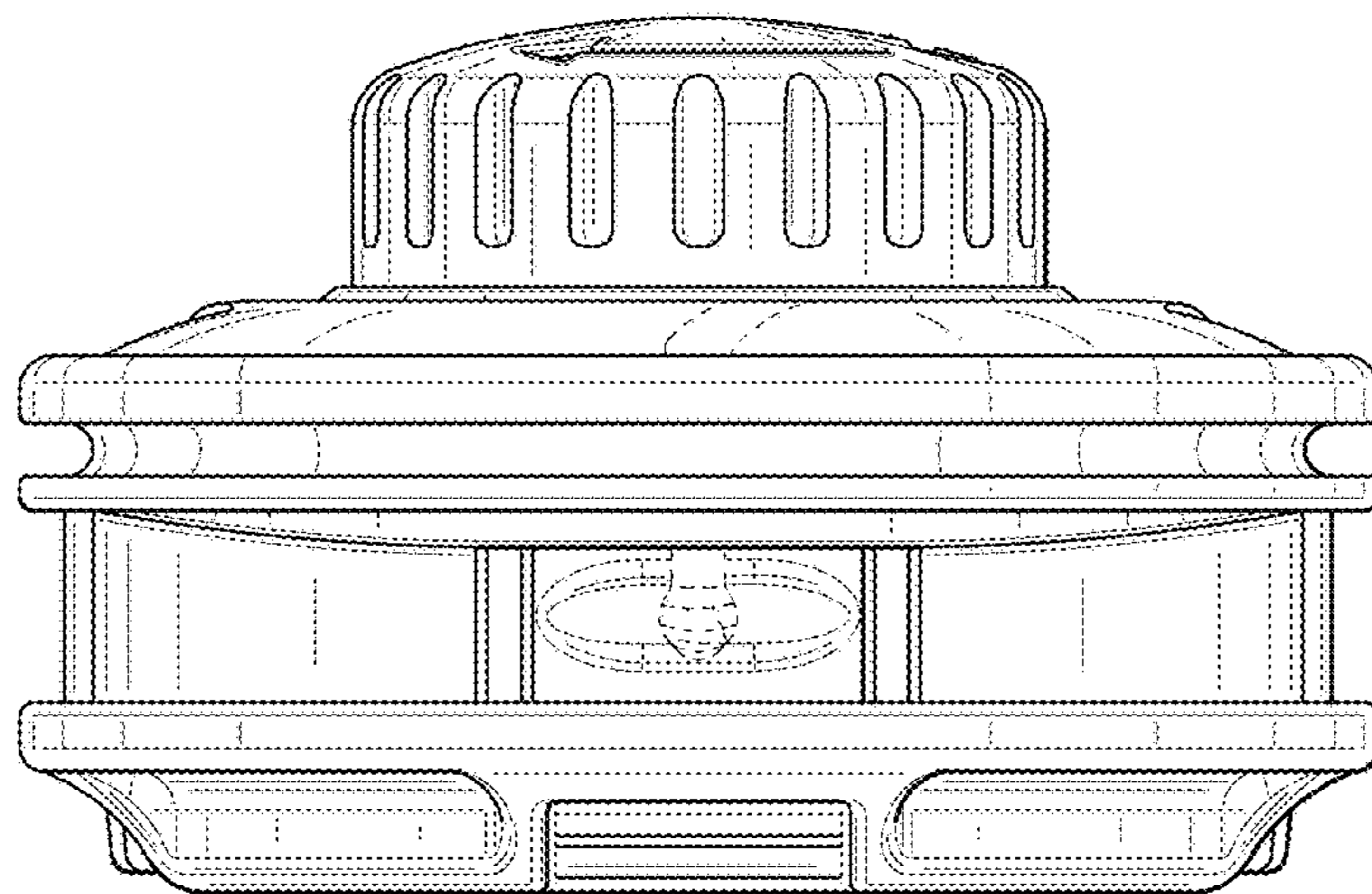


FIG. 6

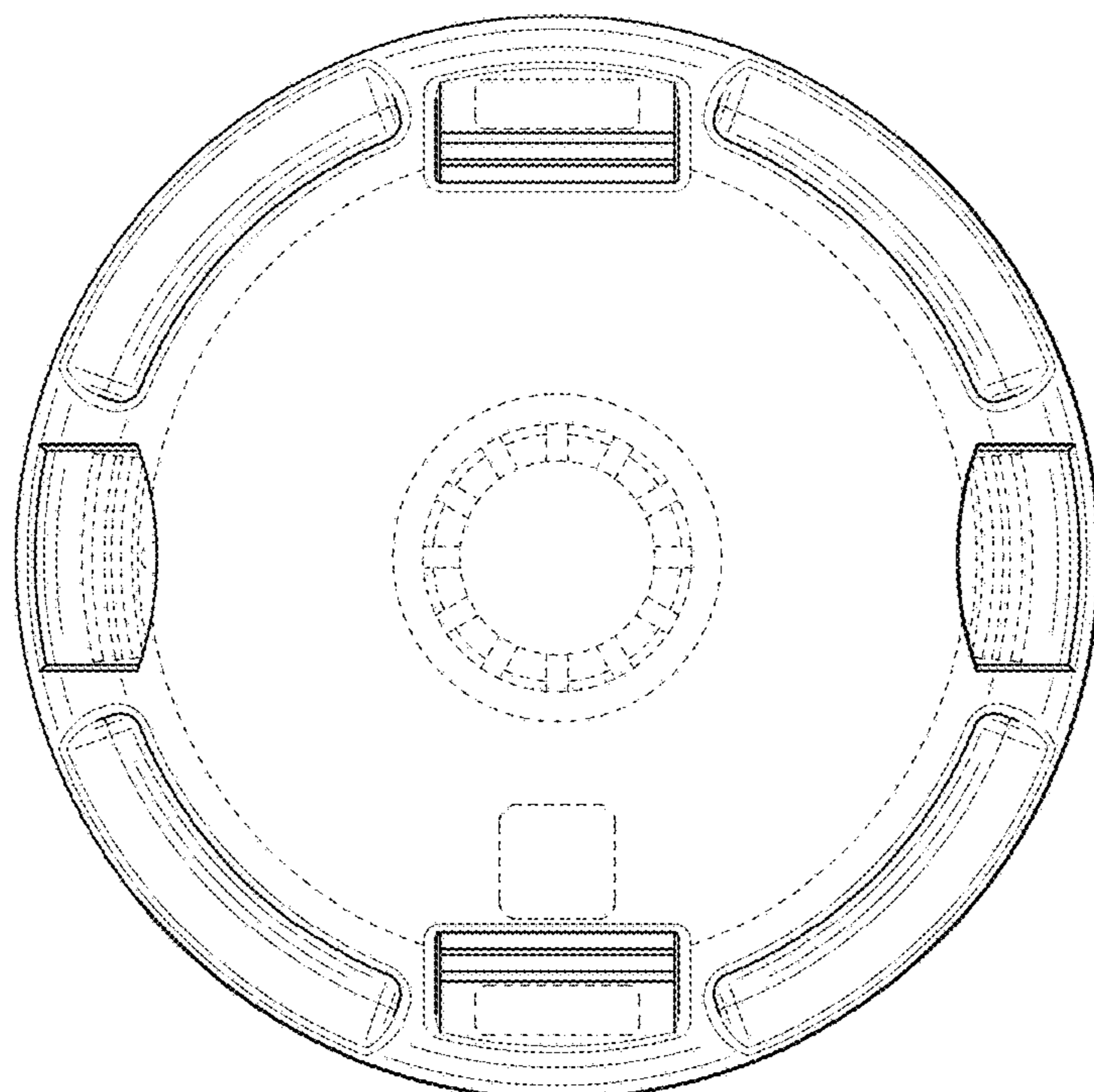


FIG. 7