



US00D854894S

(12) **United States Design Patent**
Saubert et al.

(10) **Patent No.:** **US D854,894 S**
(45) **Date of Patent:** **** Jul. 30, 2019**

- (54) **GRATER**
- (71) Applicant: **TRANSFORM SR BRANDS LLC**,
Hoffman Estates, IL (US)
- (72) Inventors: **Michael Saubert**, Hoffman Estates, IL
(US); **Michael Seskauskas**, Lemont, IL
(US); **Lori Wood**, Cary, IL (US)
- (73) Assignee: **Transform SR Brands LLC**, Hoffman
Estates, IL (US)
- (**) Term: **15 Years**
- (21) Appl. No.: **29/648,579**
- (22) Filed: **May 22, 2018**
- (51) **LOC (11) Cl.** **07-04**
- (52) **U.S. Cl.**
USPC **D7/678**
- (58) **Field of Classification Search**
USPC D7/680–696, 393, 395, 669
CPC B26B 11/006; A47J 19/04; A47J 17/02;
A47J 17/04; B26D 1/30; B26D 7/18;
B26D 9/00
See application file for complete search history.

- 7,293,502 B2 * 11/2007 So A47J 19/04
100/126
- 7,648,092 B2 * 1/2010 Wong A47J 43/25
100/234
- D648,988 S * 11/2011 Ablo D7/666
- D693,653 S * 11/2013 Jalet D7/678

* cited by examiner

Primary Examiner — Terry A Wallace

(74) *Attorney, Agent, or Firm* — McAndrews, Held &
Malloy, Ltd.

(57) **CLAIM**

The ornamental design for a grater, as shown and described.

DESCRIPTION

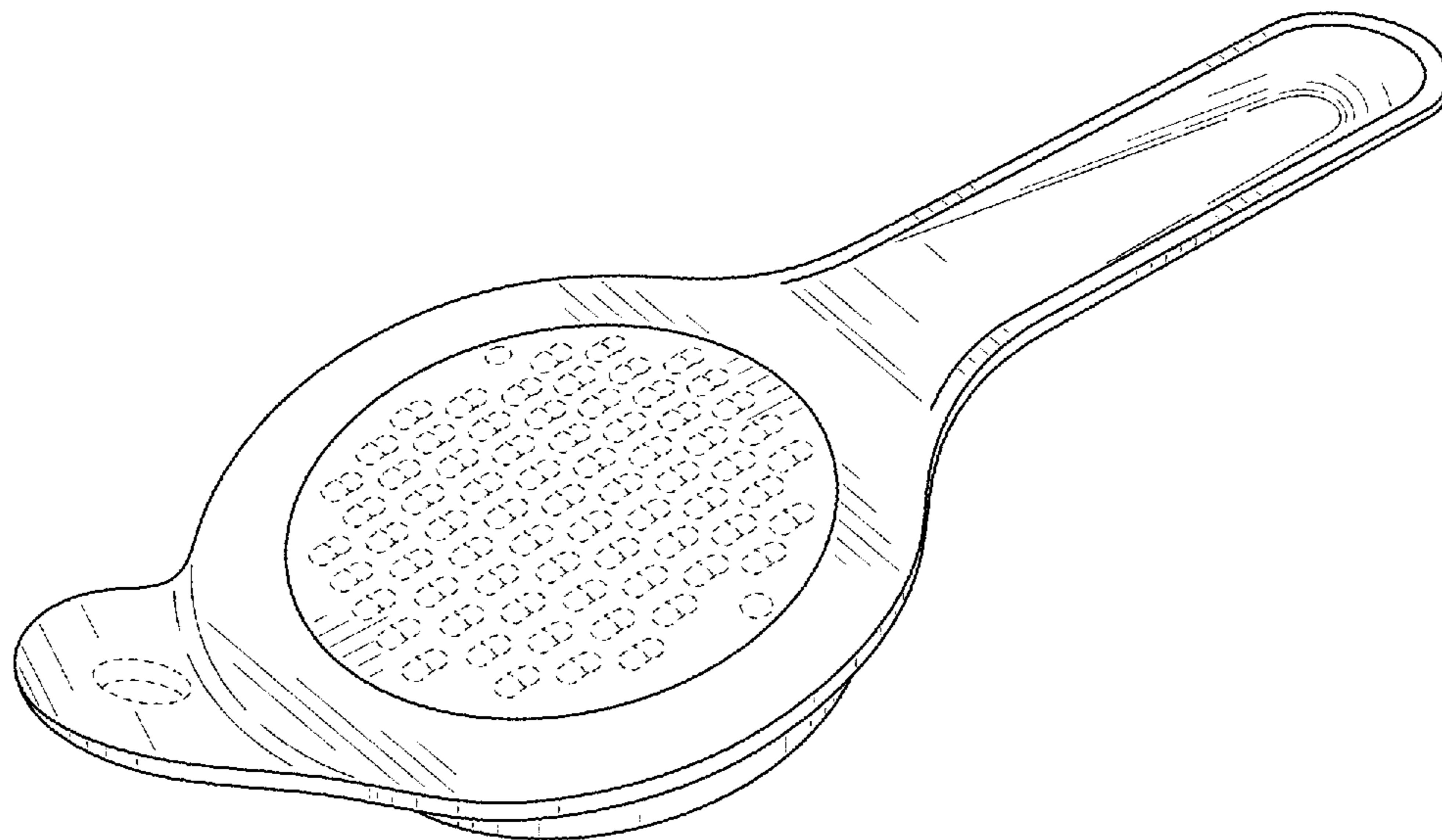
FIG. 1 is a top-front perspective view of a grater showing our new design;
 FIG. 2 is a top plan view thereof;
 FIG. 3 is a bottom plan view thereof;
 FIG. 4 is a right side elevation view thereof;
 FIG. 5 is a left side elevation thereof;
 FIG. 6 is a front elevation view thereof;
 FIG. 7 is a rear elevation view thereof; and,
 FIG. 8 is a bottom-rear perspective view thereof.
 The broken lines are for illustrative purposes only and form no part of the claimed design.

(56) **References Cited**

U.S. PATENT DOCUMENTS

- D419,399 S * 1/2000 Couto D7/678
- D528,377 S * 9/2006 Pippel D7/678

1 Claim, 5 Drawing Sheets



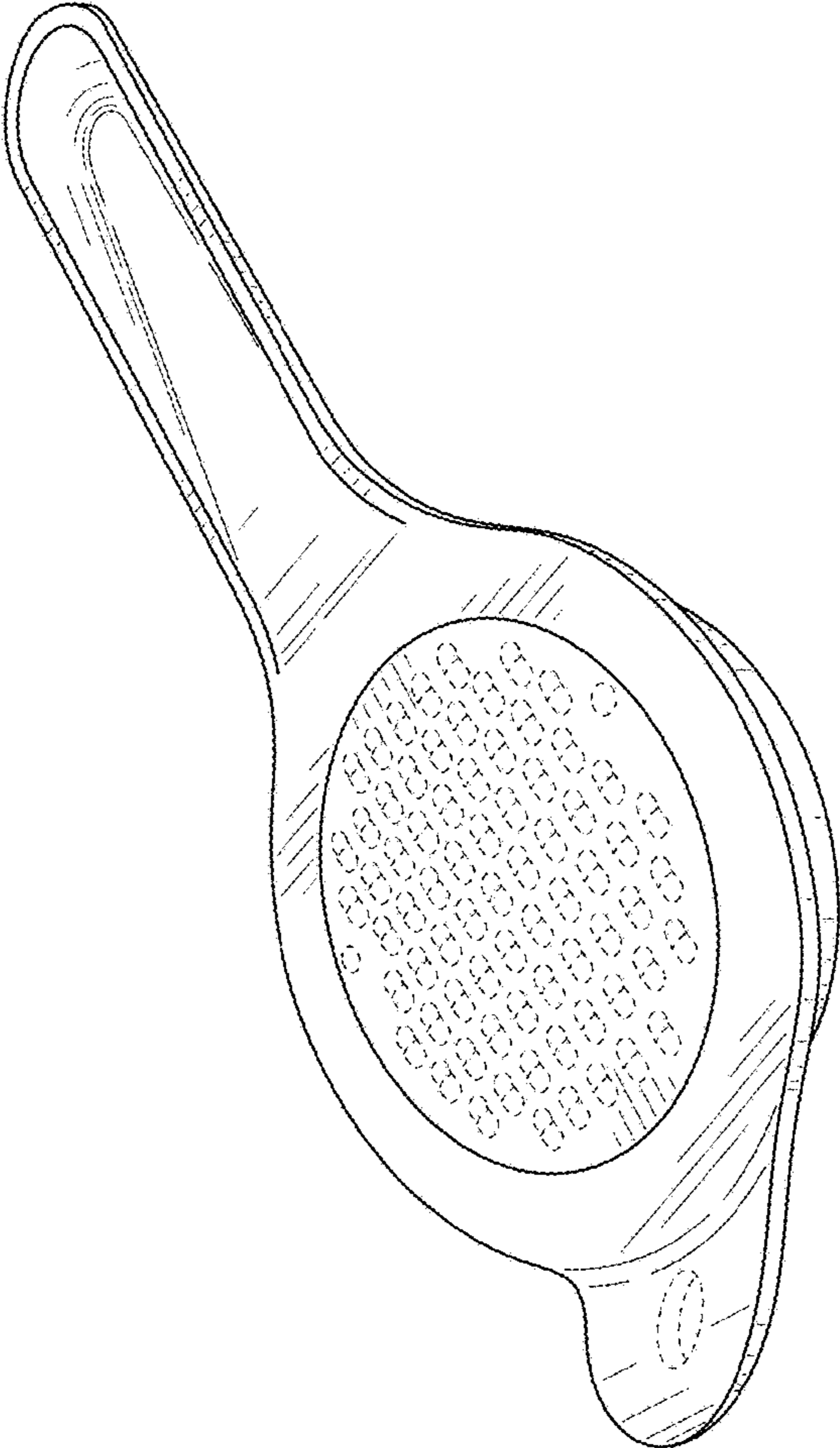


FIG. 1

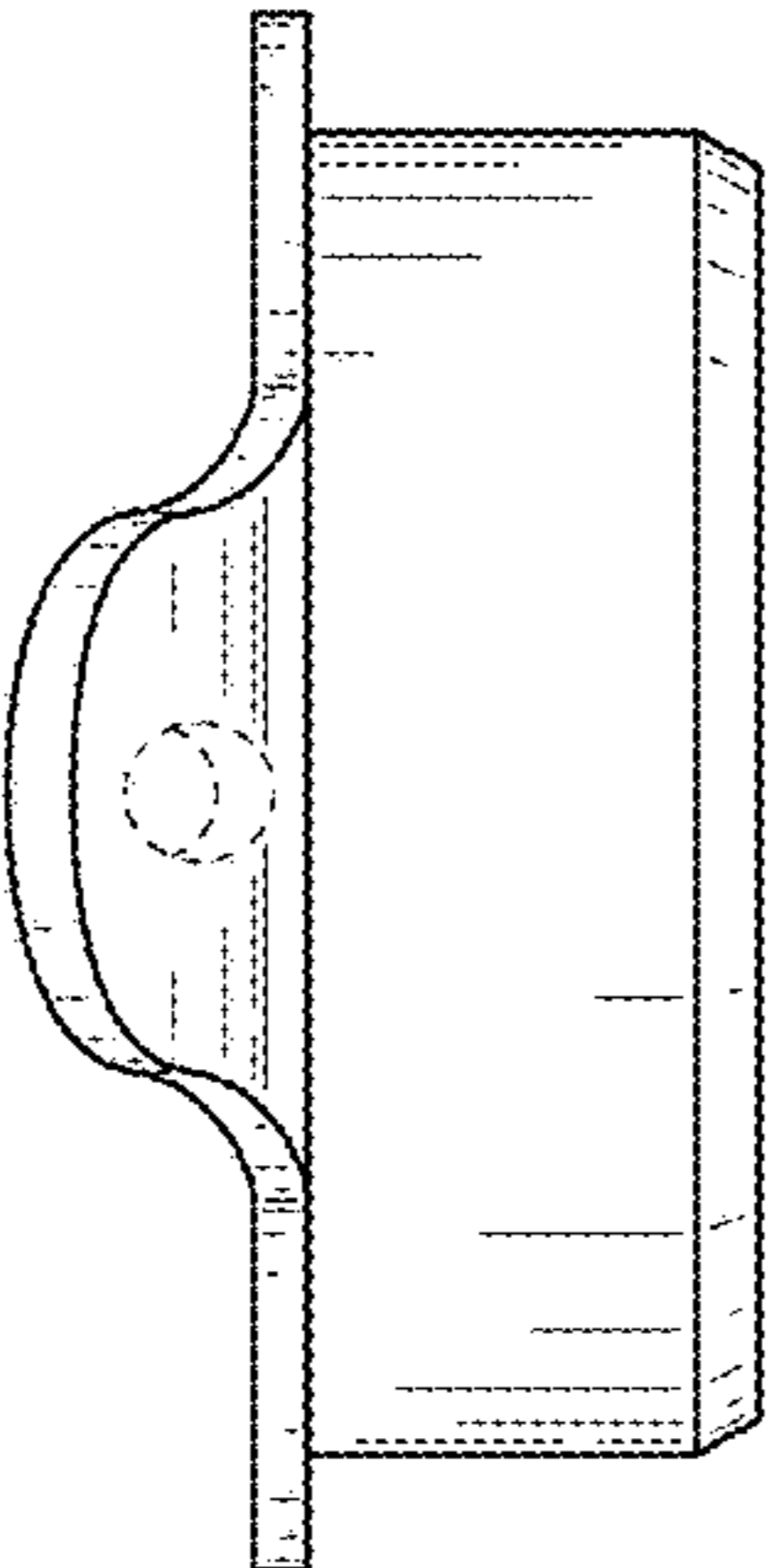


FIG. 2

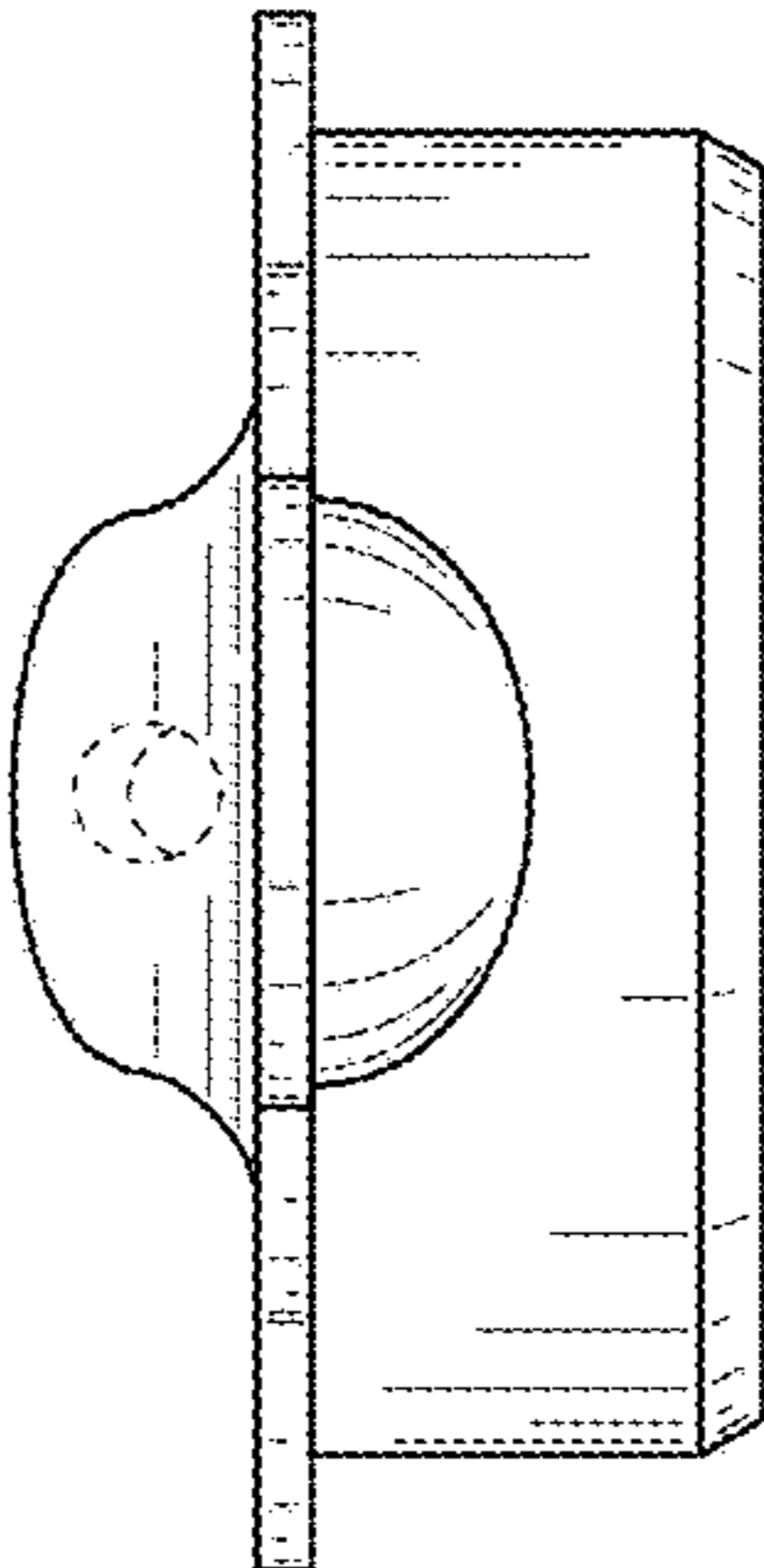


FIG. 3

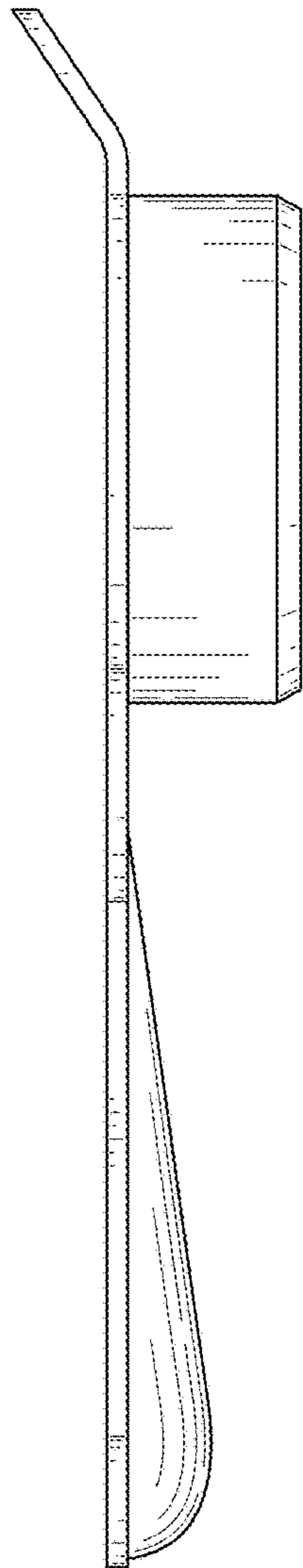


FIG. 4

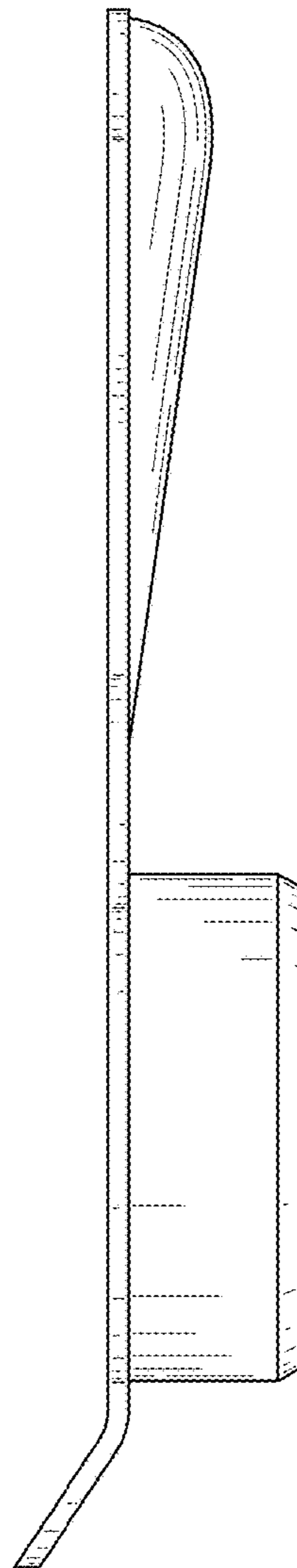


FIG. 5

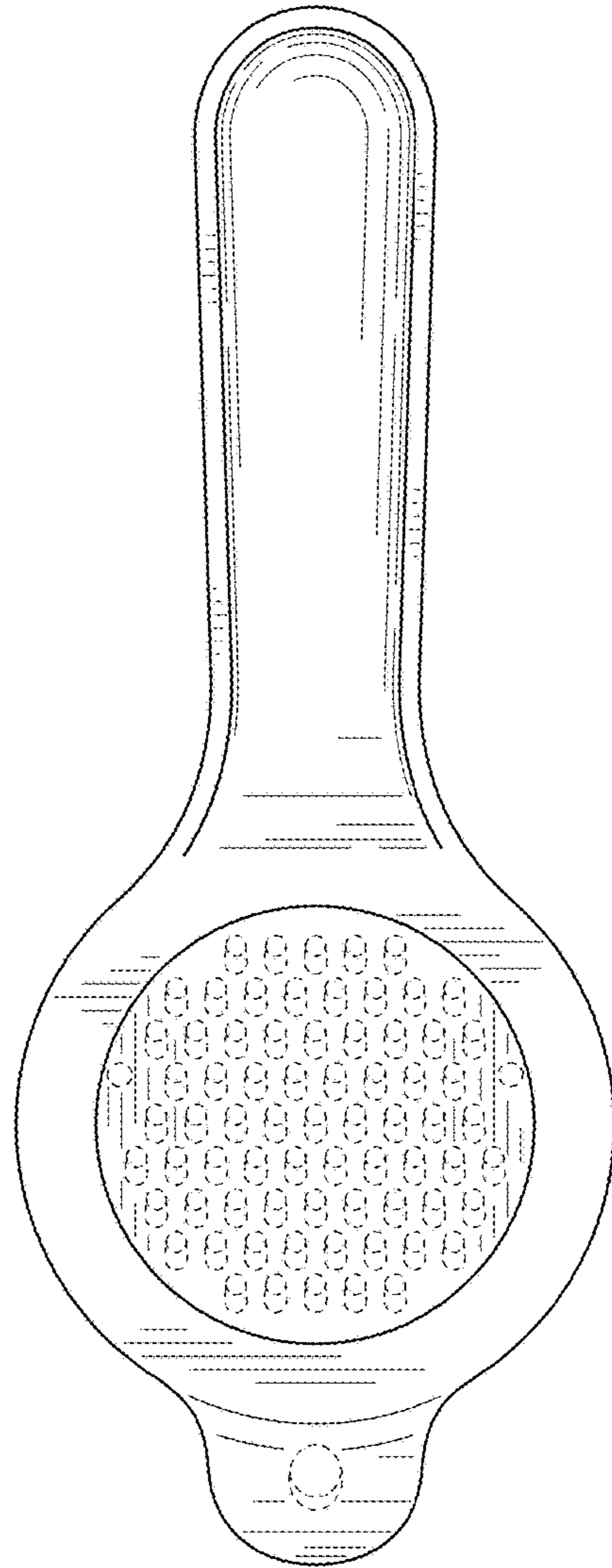


FIG. 6

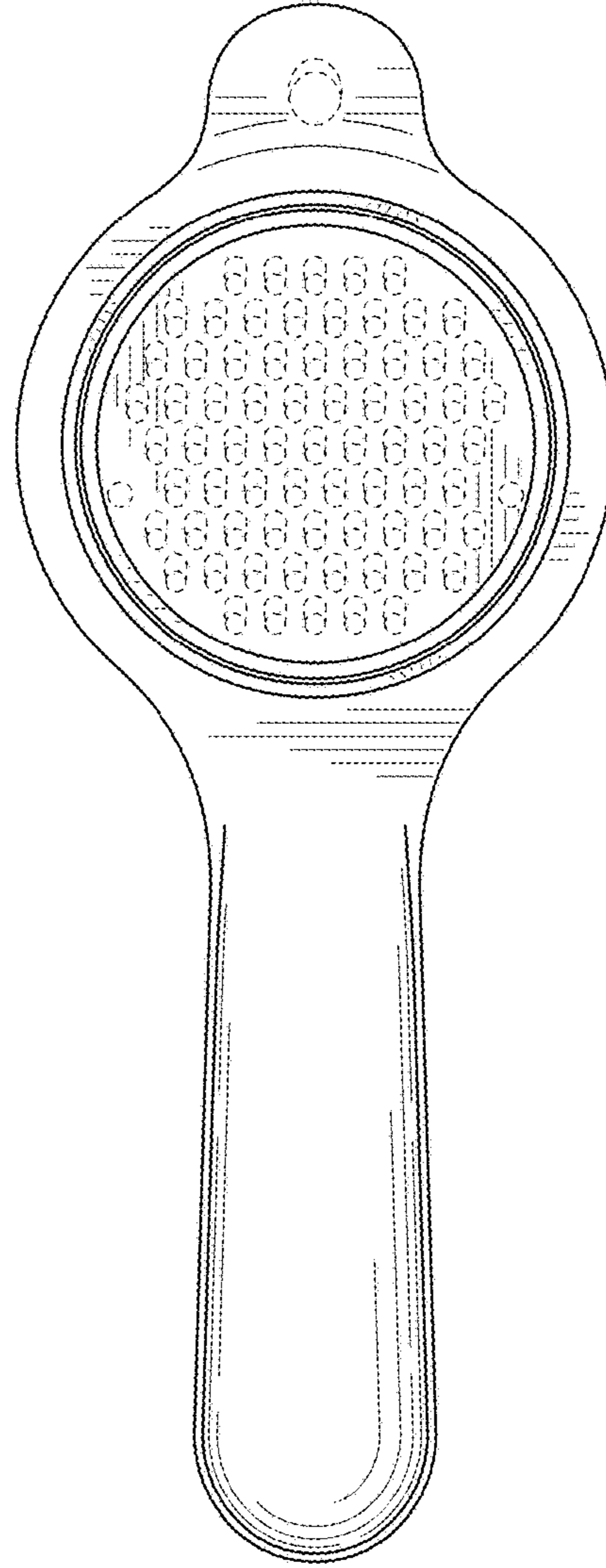


FIG. 7

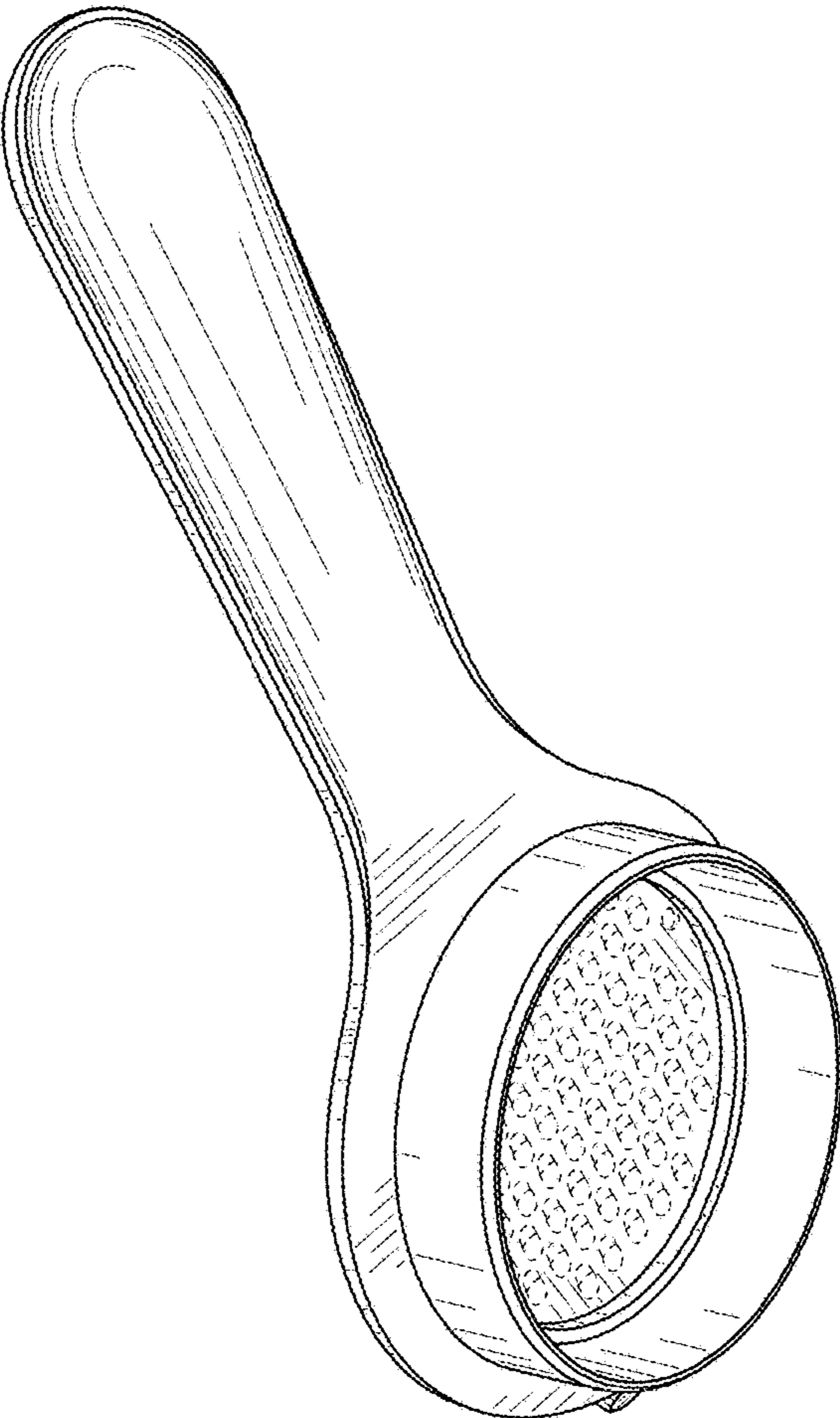


FIG. 8