



US00D854893S

(12) **United States Design Patent** (10) **Patent No.:** **US D854,893 S**
Donald et al. (45) **Date of Patent:** **** Jul. 30, 2019**

(54) **GRATER WITH COLLECTING BASE**

2008/0029631 A1* 2/2008 Boerner A47J 43/25
241/273.1

(71) Applicant: **JOSEPH JOSEPH, LTD.**, London (GB)

2016/0158956 A1* 6/2016 Repac A47J 43/25
241/95

(72) Inventors: **Simon Donald**, London (GB); **Joe Wentworth**, London (GB)

* cited by examiner

(73) Assignee: **Joseph Joseph, Ltd.**, London (GB)

Primary Examiner — Terry A Wallace

(**) Term: **15 Years**

(74) *Attorney, Agent, or Firm* — Millen, White, Zelano & Branigan, PC

(21) Appl. No.: **29/633,997**

(57) **CLAIM**

(22) Filed: **Jan. 17, 2018**

The ornamental design for a grater with collecting base, as shown and described.

(30) **Foreign Application Priority Data**

Jul. 17, 2017 (EM) 004107217-0013

(51) **LOC (11) Cl.** **07-04**

(52) **U.S. Cl.**

USPC **D7/678**

(58) **Field of Classification Search**

USPC D7/678, 693, 672-677, 381

CPC ... B26D 1/30; B26D 3/20; B26D 3/26; B26D 3/185; B26D 3/283; B26D 5/00; B26D 7/00; B26D 7/18; B26D 7/01; A47J 45/063; A47J 43/25; A47J 43/00; A47J 43/255; A47J 19/04; A47J 17/02; A47J 17/04

See application file for complete search history.

(56) **References Cited**

U.S. PATENT DOCUMENTS

D455,323 S * 4/2002 Mistretta D7/678
D715,603 S * 10/2014 McGuyer D7/678

DESCRIPTION

FIG. 1 is a perspective view of the grater with collecting base showing my new design.

FIG. 2 is a side view thereof.

FIG. 3 is another side view thereof.

FIG. 4 is a top view thereof.

FIG. 5 is a bottom view thereof.

FIG. 6 is another side view thereof.

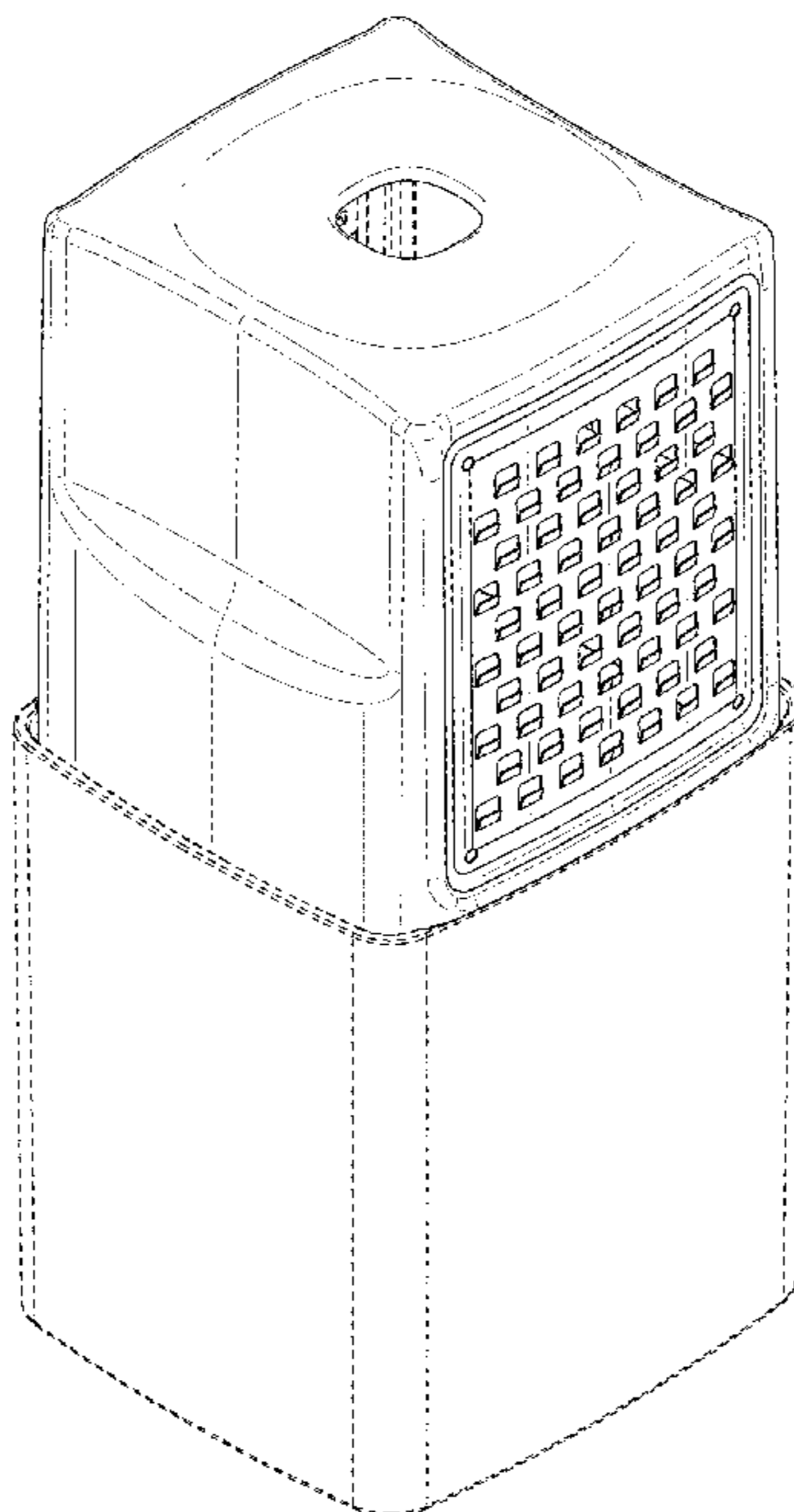
FIG. 7 is another bottom view thereof.

FIG. 8 is an exploded perspective view thereof; and,

FIG. 9 is a perspective view of grater portion contained within the base portion thereof.

The broken lines in the drawings illustrate portions of the grater with collecting base which form no part of the claimed design.

1 Claim, 9 Drawing Sheets



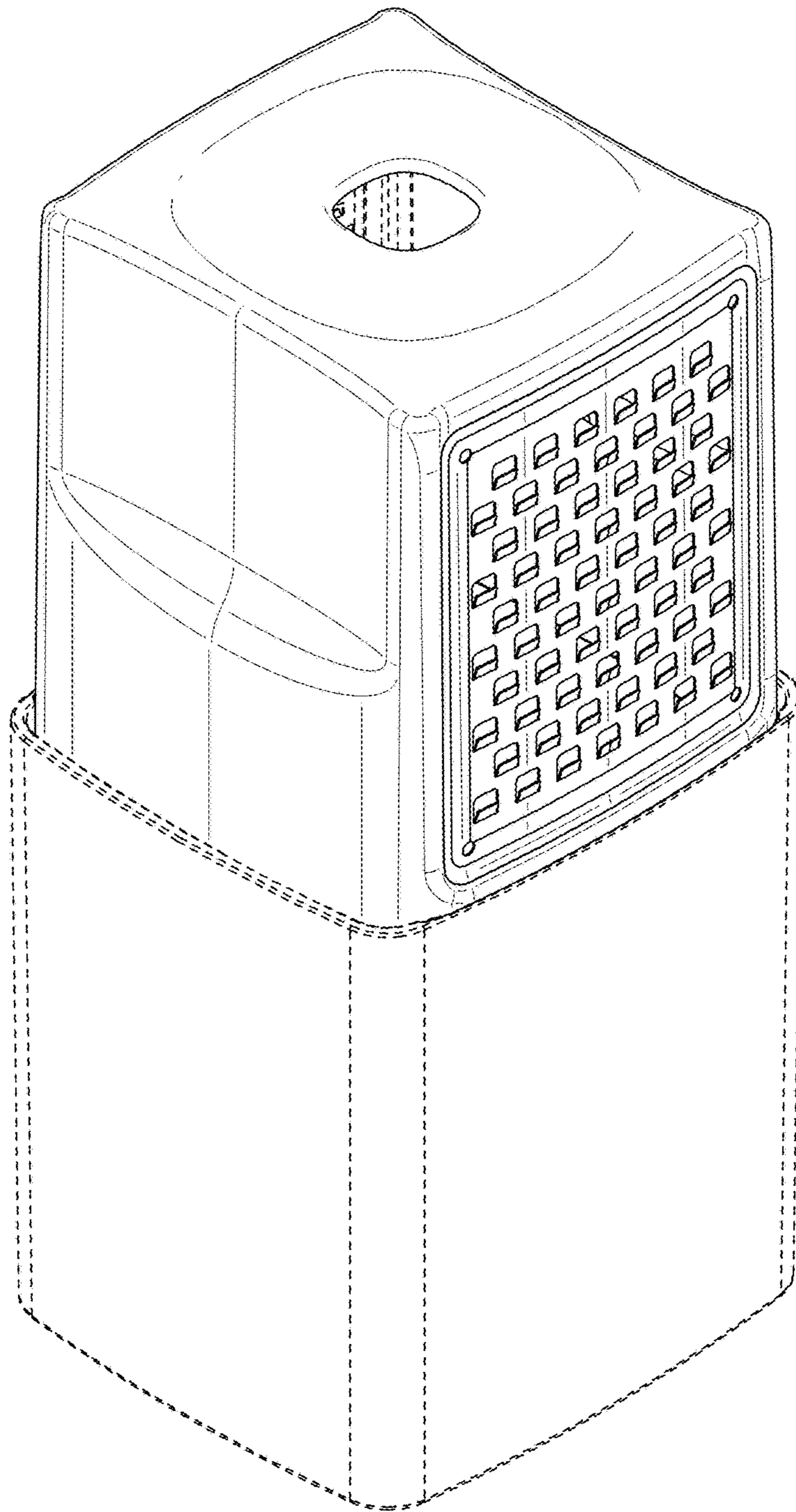


FIG. 1

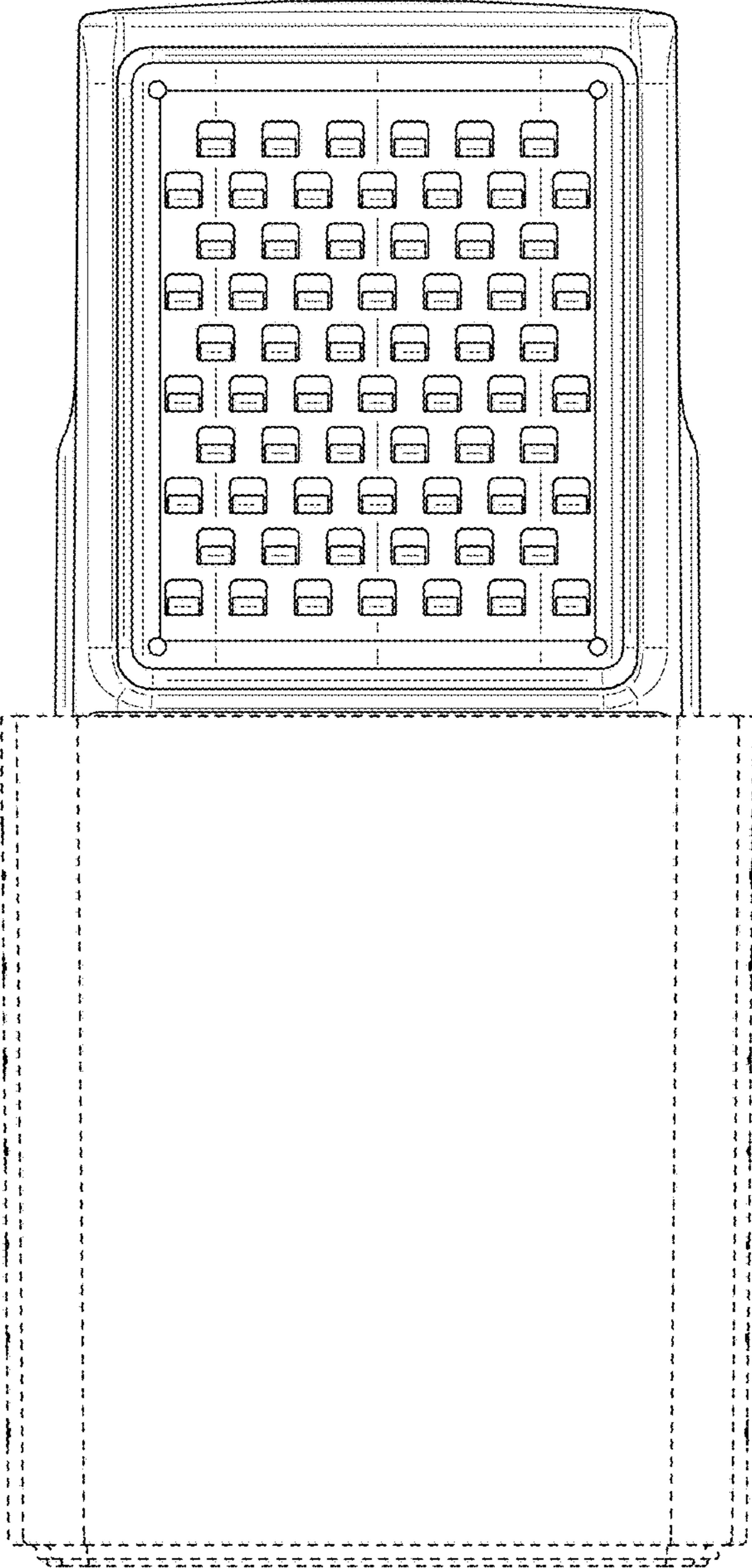


FIG. 2

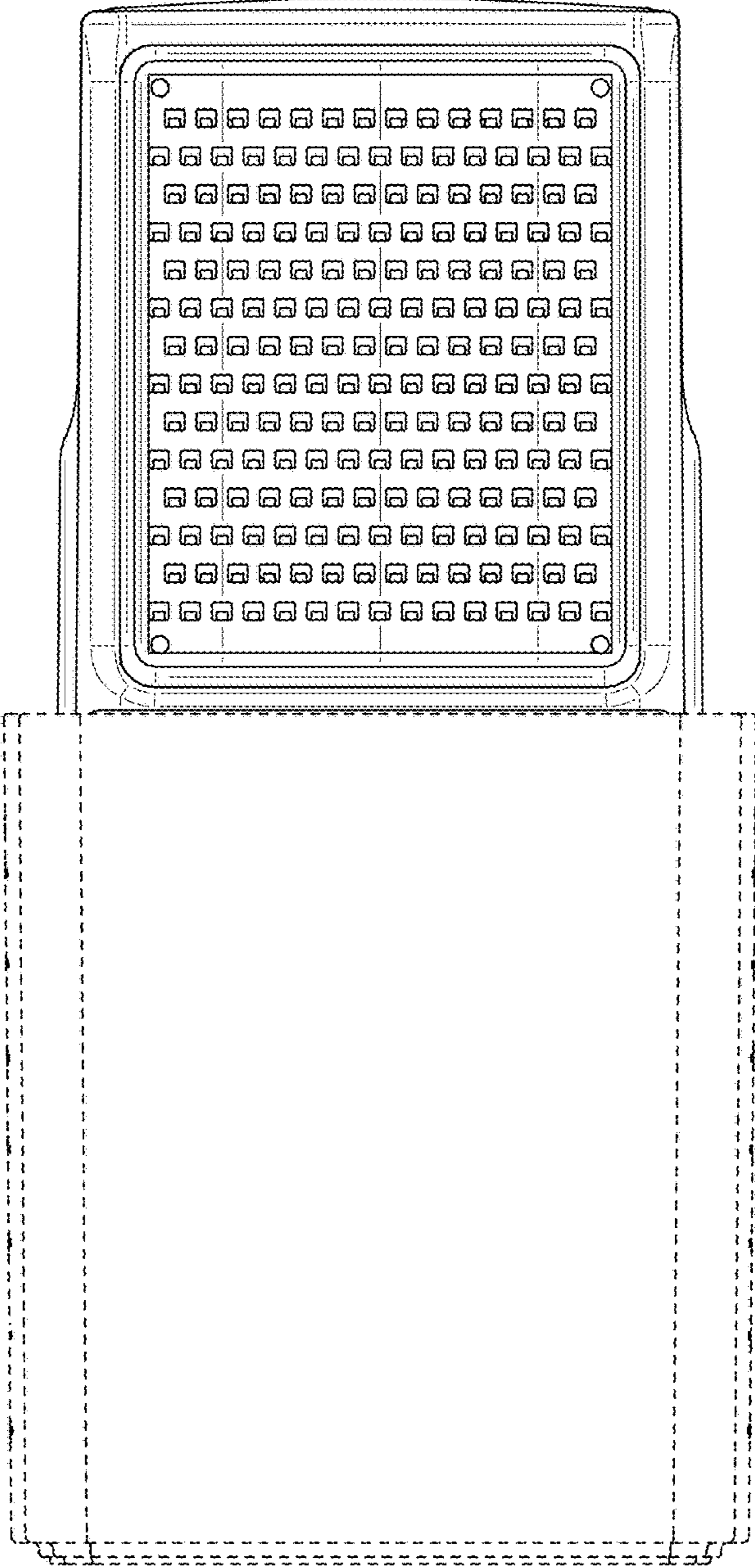


FIG. 3

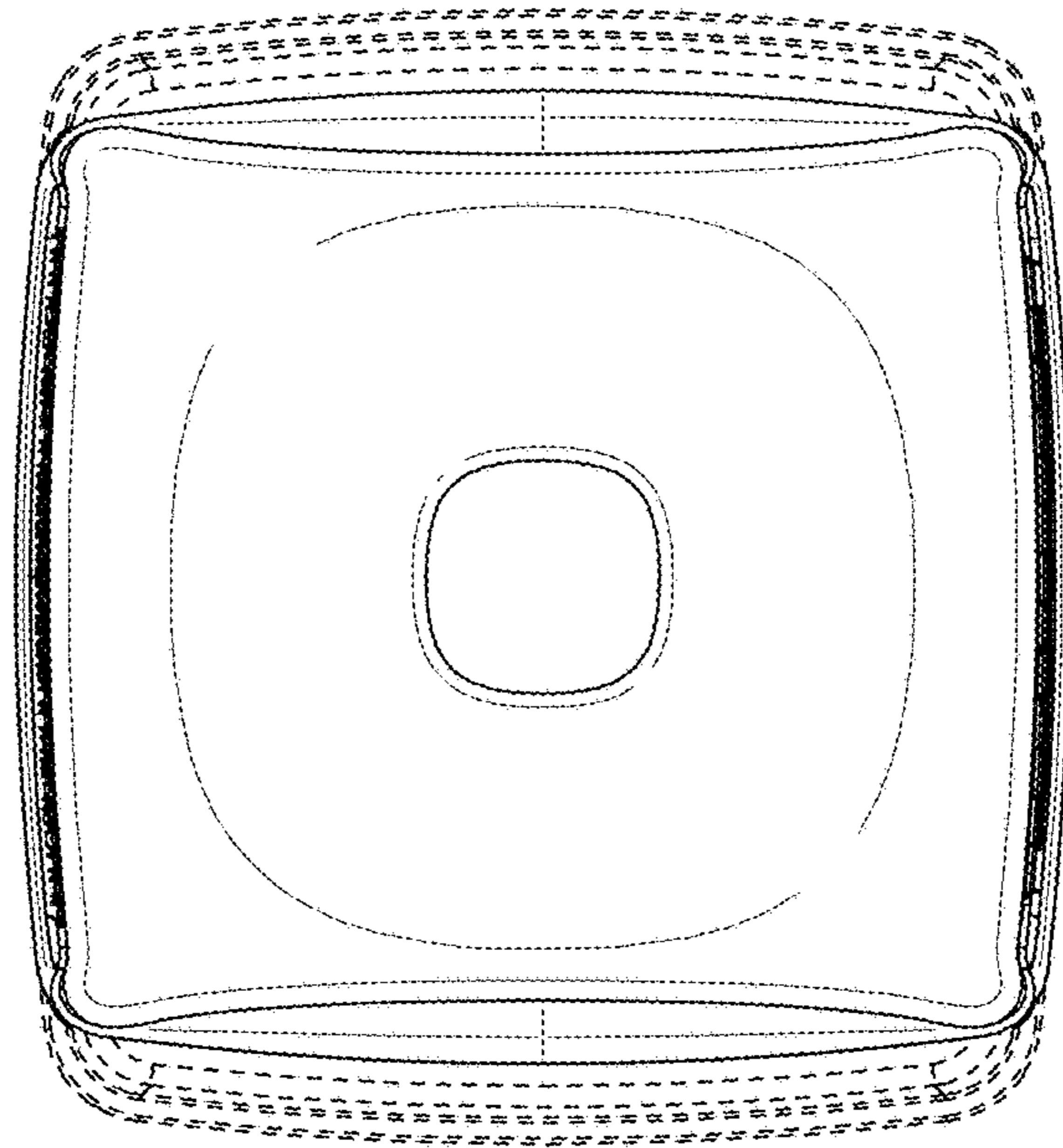


FIG. 4

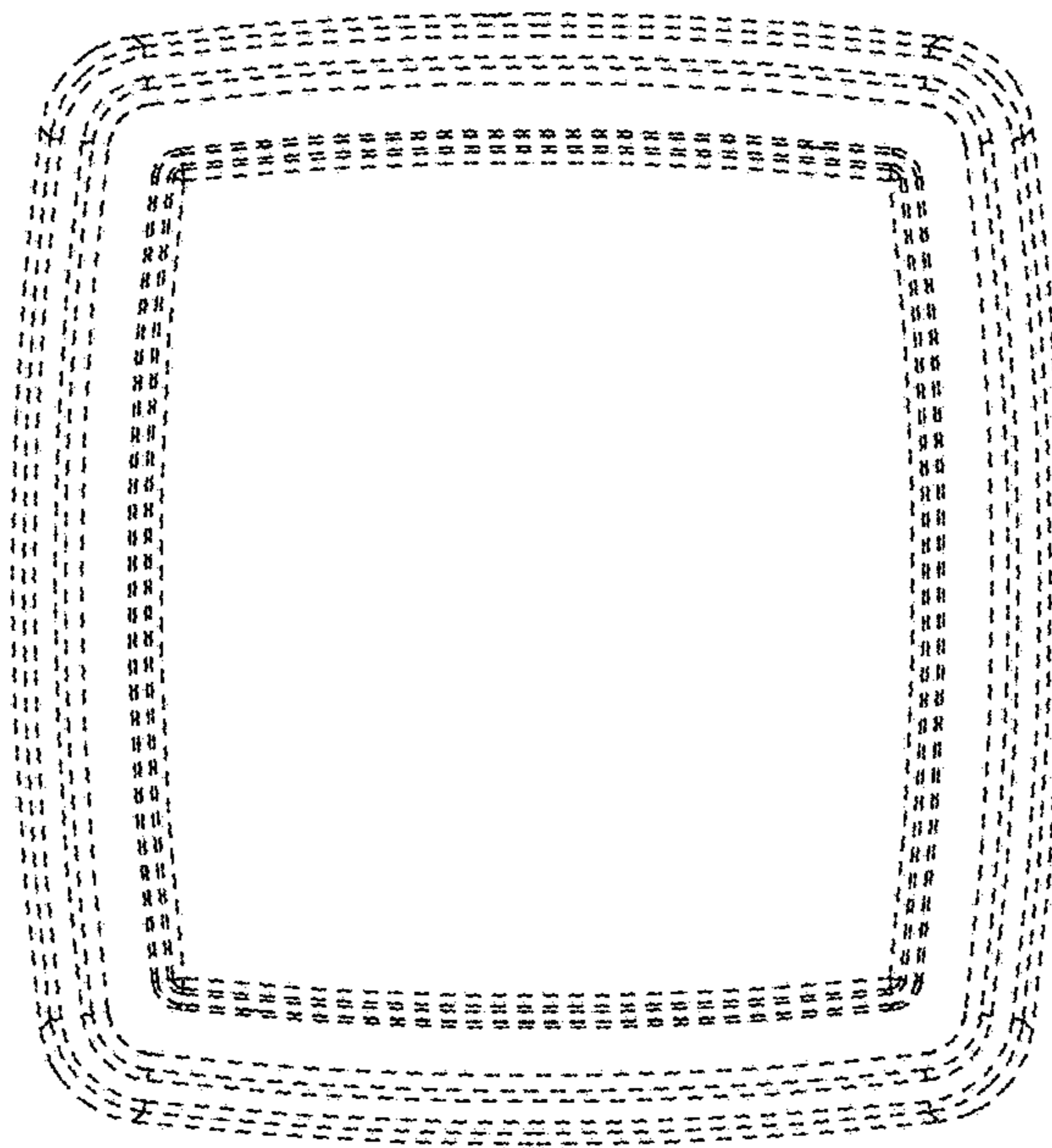


FIG. 5

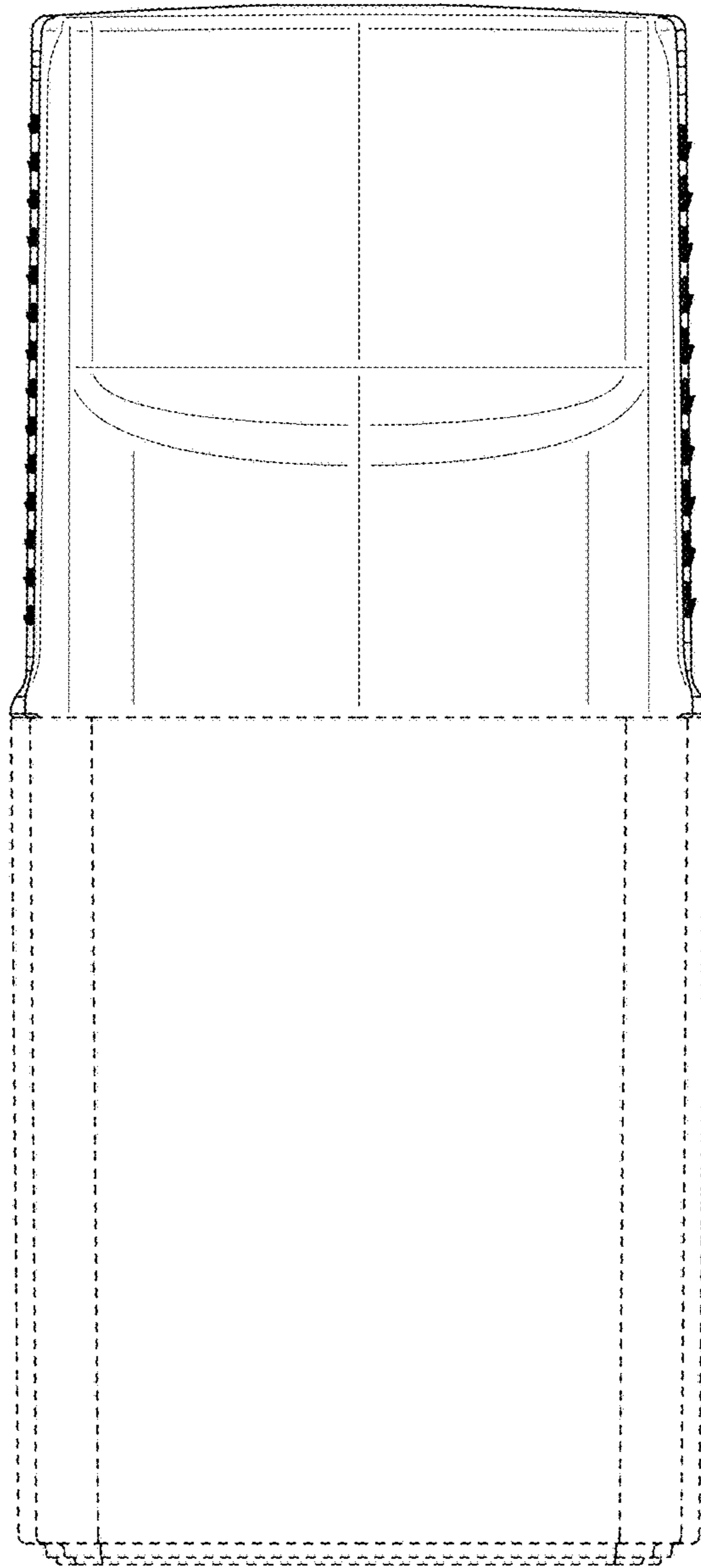


FIG. 6

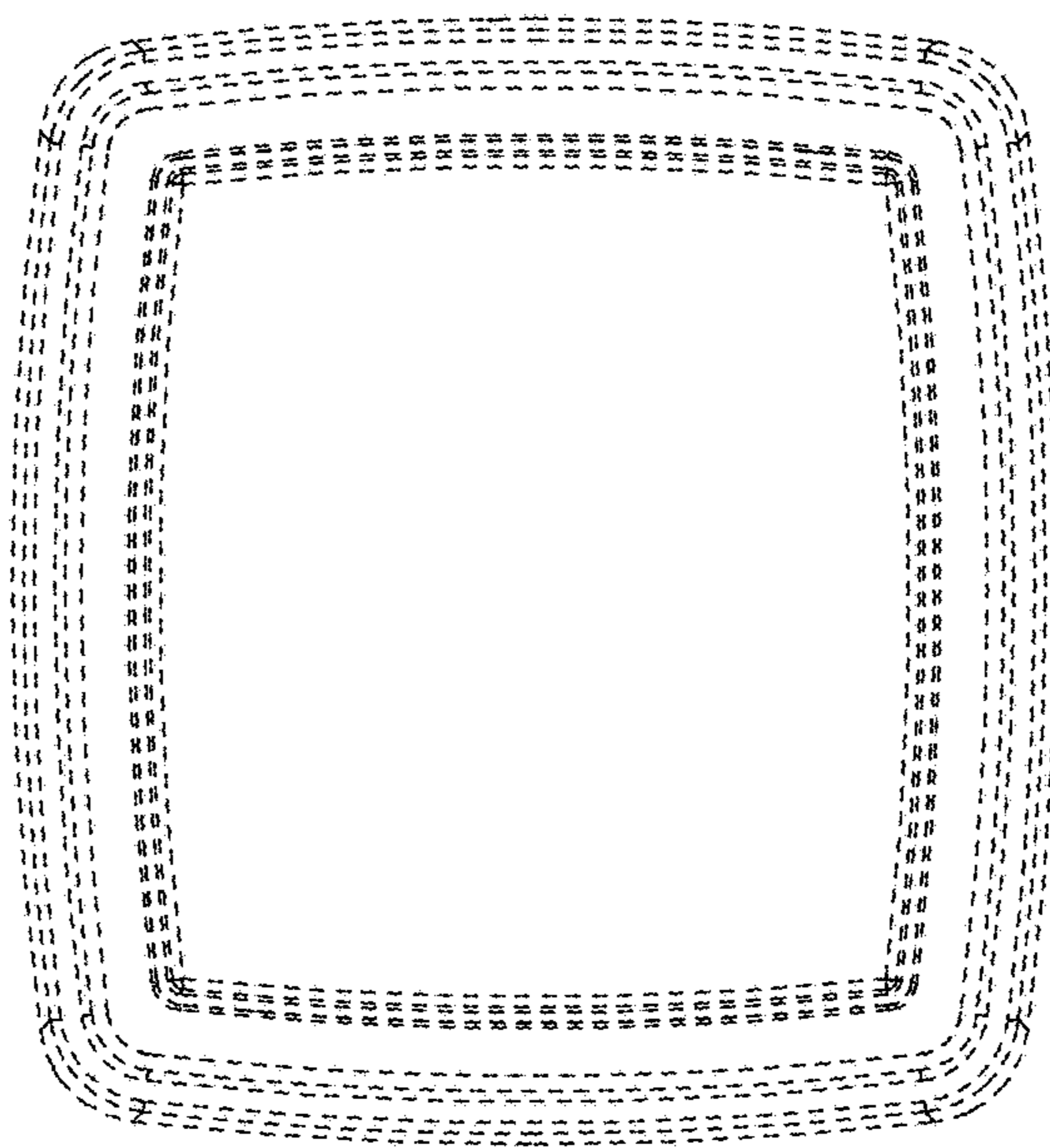


FIG. 7

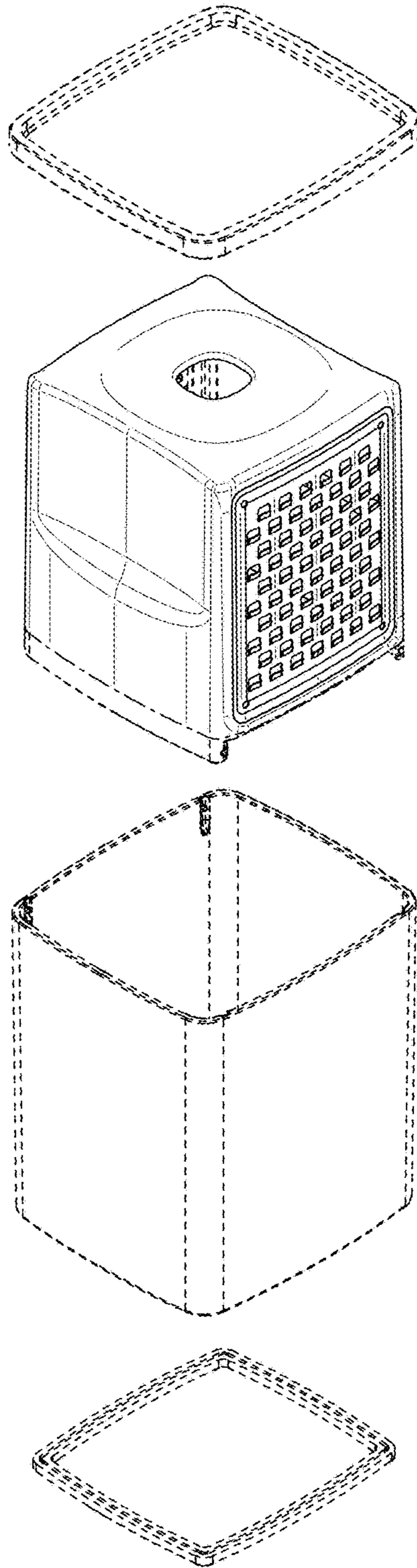


FIG. 8

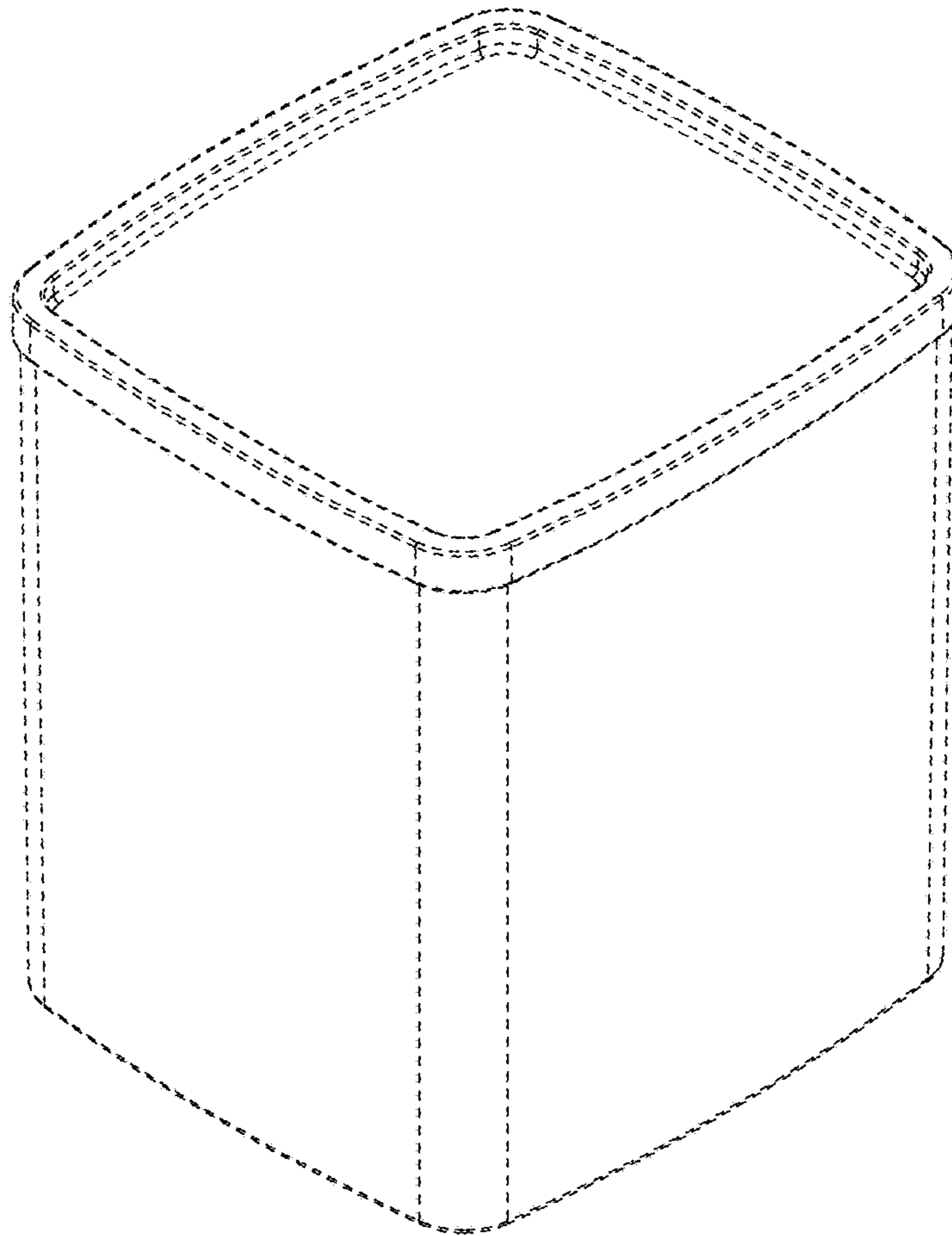


FIG. 9