



US00D854892S

(12) **United States Design Patent** (10) **Patent No.:** **US D854,892 S**
Bacher et al. (45) **Date of Patent:** **** Jul. 30, 2019**

(54) **FERMENTATION WEIGHT**
(71) Applicant: **MASONTOPS, INC.**, Toronto (CA)
(72) Inventors: **Michael Bacher**, Toronto (CA); **Philip Baron**, Toronto (CA); **Brett Molnar**, Toronto (CA)
(73) Assignee: **Masontops, Inc.**, Toronto, Ontario (CA)
(**) Term: **15 Years**
(21) Appl. No.: **29/659,997**
(22) Filed: **Aug. 14, 2018**
(51) **LOC (11) Cl.** **07-04**
(52) **U.S. Cl.**
USPC **D7/669**
(58) **Field of Classification Search**
USPC D7/669, 368, 387, 213
CPC A23B 7/105; A23B 7/12; B65D 41/02;
B65D 1/10; B65D 81/245; B26D 7/00;
B26D 7/01; B26D 2210/02; B26D 1/553;
B26D 29/063; A47J 25/00; A47J 47/10;
A47J 43/00; A47J 43/18; A47J 43/25;
A47J 37/108
See application file for complete search history.

JP D1200149 3/2004
JP D1371082 10/2009
JP D1483702 11/2013
KR 3005080660000 10/2008

* cited by examiner

Primary Examiner — Terry A Wallace
(74) *Attorney, Agent, or Firm* — McAndrews, Held & Malloy, Ltd.

(57) **CLAIM**

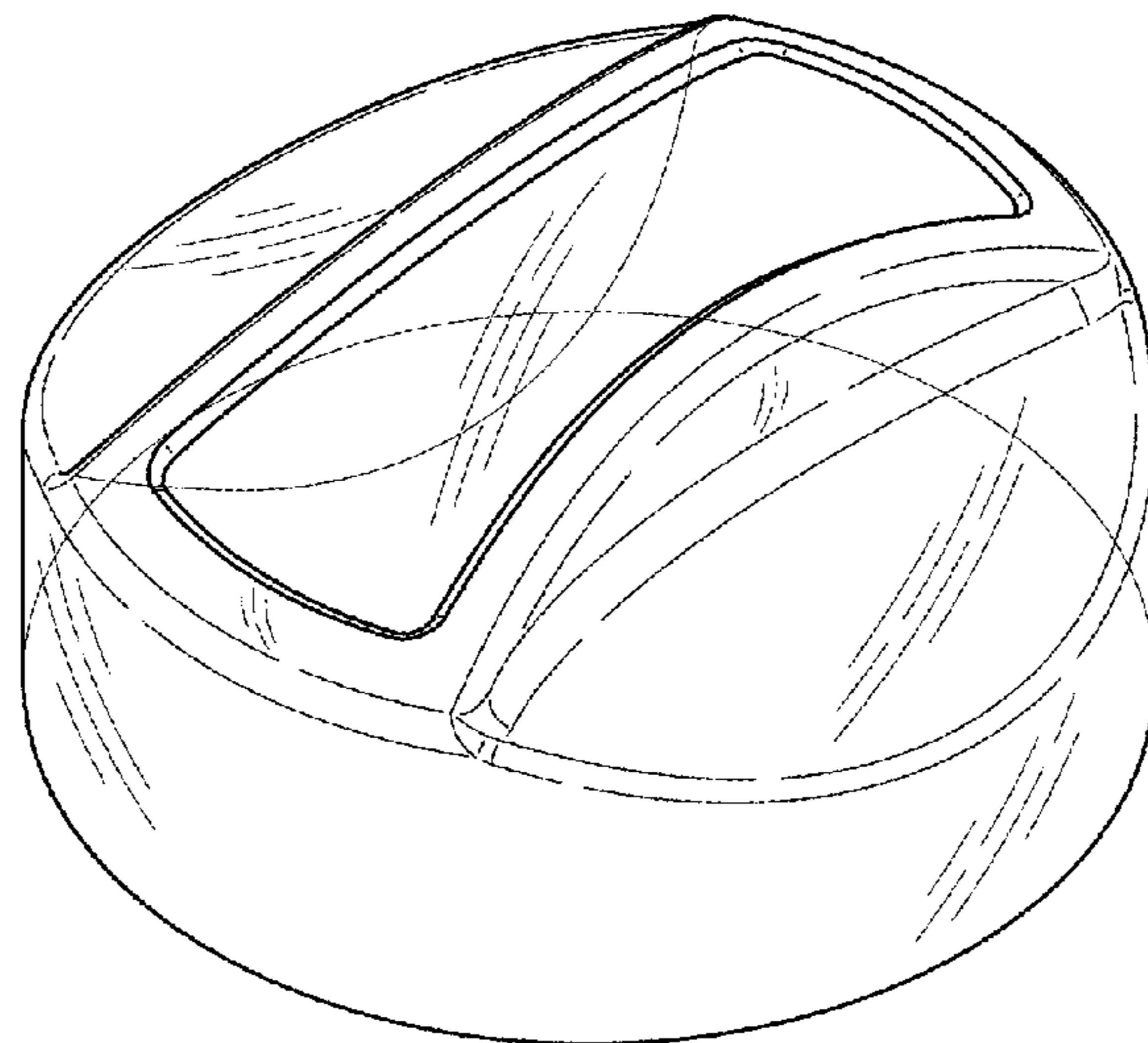
The ornamental design for a fermentation weight, as shown and described.

DESCRIPTION

FIG. 1 is a top perspective view of a fermentation weight showing our new design according to a first embodiment; FIG. 2 is a front elevation view thereof; FIG. 3 is a rear elevation view thereof; FIG. 4 is a right side elevation view thereof; FIG. 5 is a left side elevation view thereof; FIG. 6 is a top plan view thereof; FIG. 7 is a bottom plan view thereof; FIG. 8 is a cross-sectional view taken along the line 8-8 of FIG. 4; FIG. 9 is a top perspective view of a fermentation weight showing our new design according to a second embodiment; FIG. 10 is a front elevation view thereof; FIG. 11 is a rear elevation view thereof; FIG. 12 is a right side elevation view thereof; FIG. 13 is a left side elevation view thereof; FIG. 14 is a top plan view thereof; FIG. 15 is a bottom plan view thereof; and, FIG. 16 is a cross-sectional view taken along the line 16-16 of FIG. 12.
In FIGS. 2-7 and 10-15, the details of the opposing sides as seen through the fermentation weight have not been shown for ease of illustration and understanding.

(56) **References Cited**
U.S. PATENT DOCUMENTS
D787,263 S 5/2017 Baron et al.
D836,972 S 1/2019 Baron et al.
2016/0113301 A1* 4/2016 Kociolek B65D 43/0216
215/316
FOREIGN PATENT DOCUMENTS
CN 303517116 12/2015
CN 304745415 7/2018

1 Claim, 8 Drawing Sheets



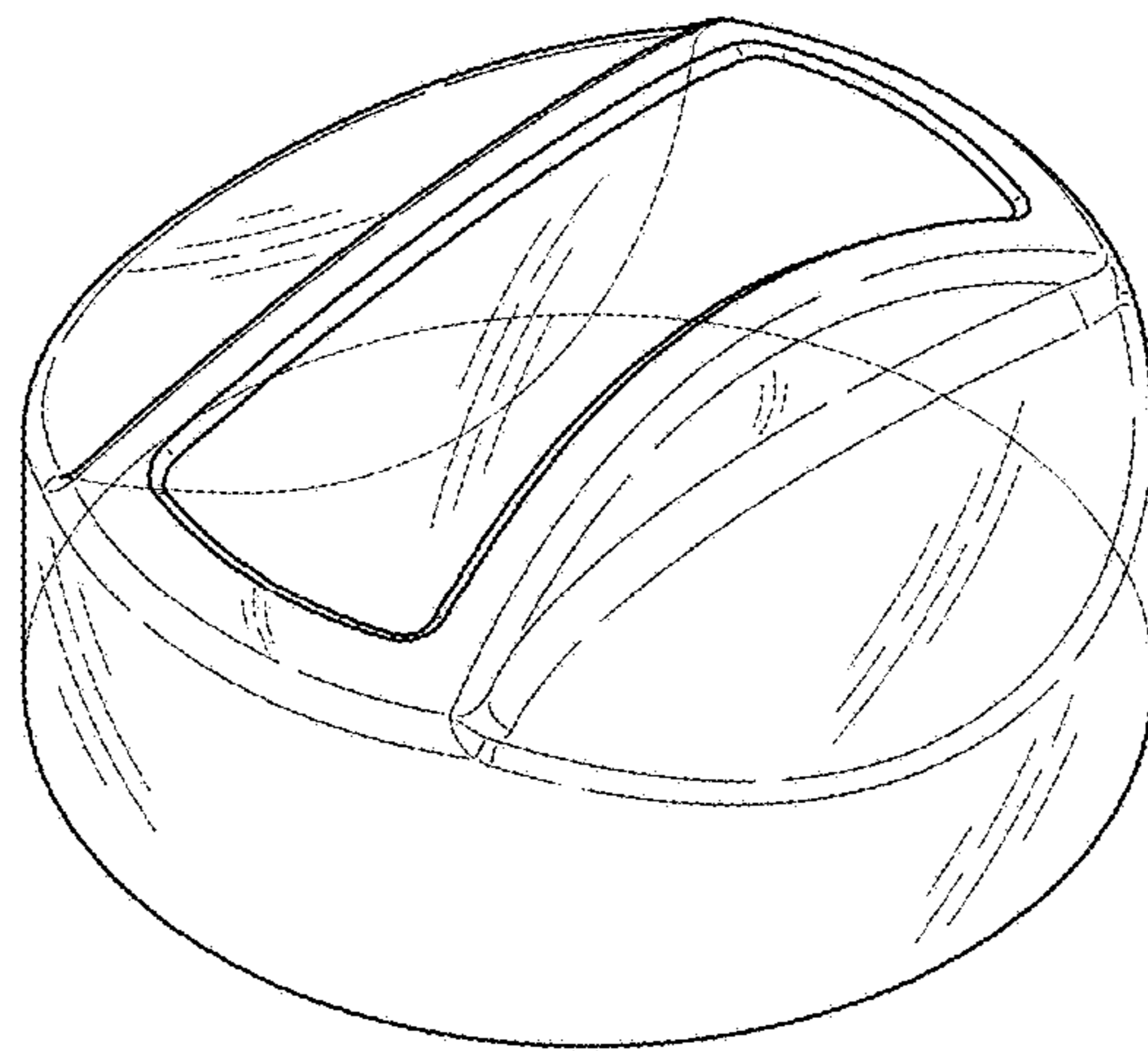


FIG. 1

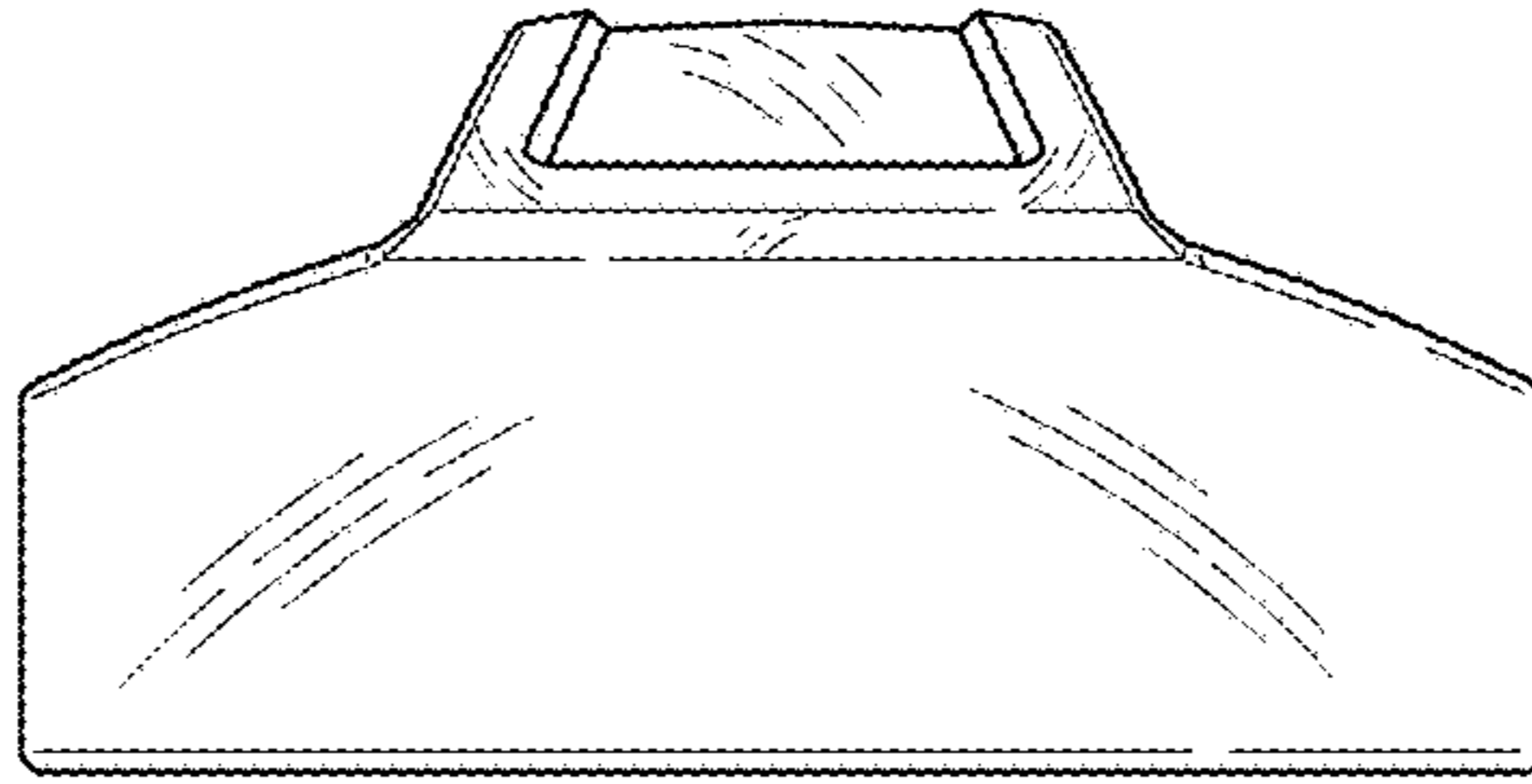


FIG. 2

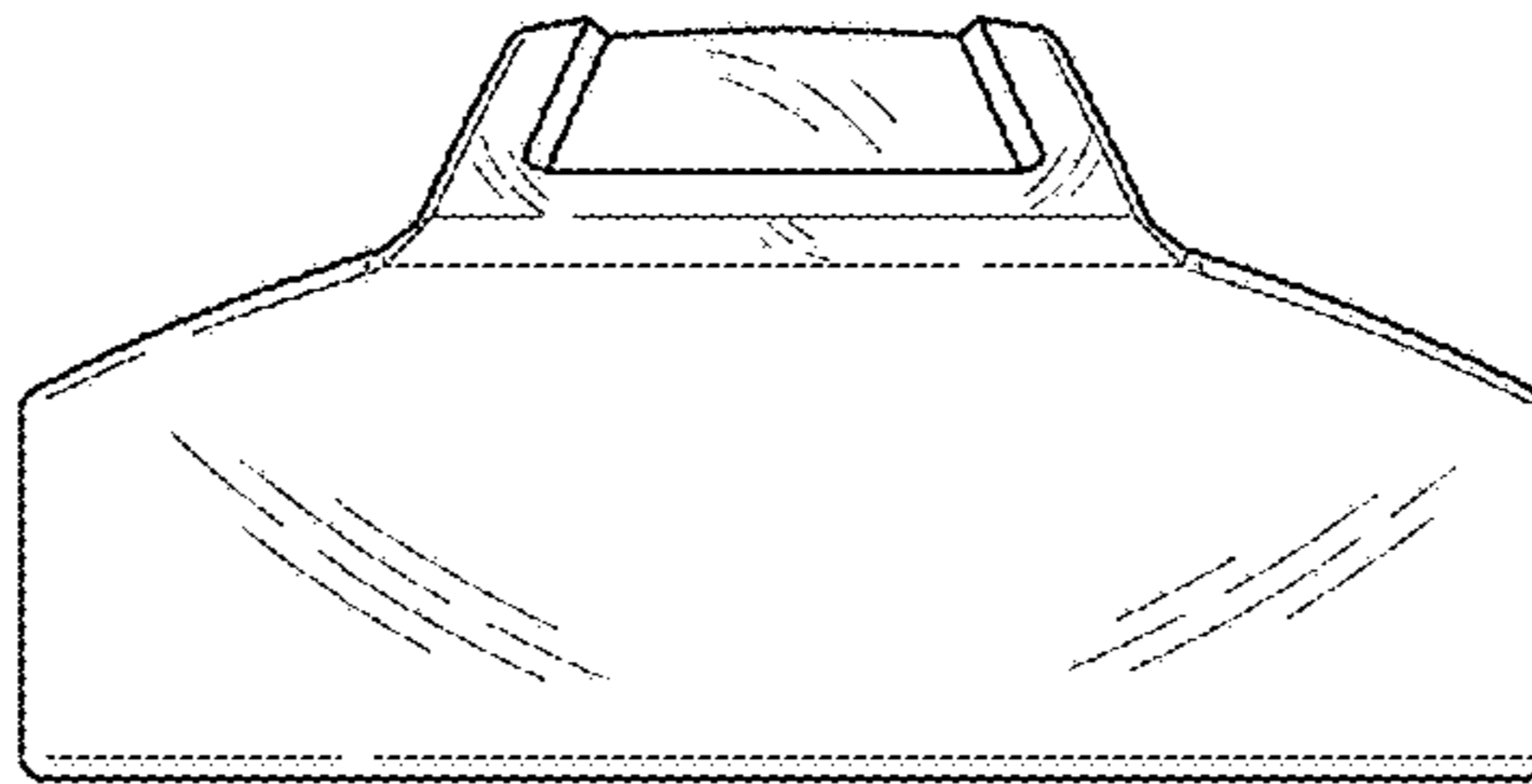


FIG. 3

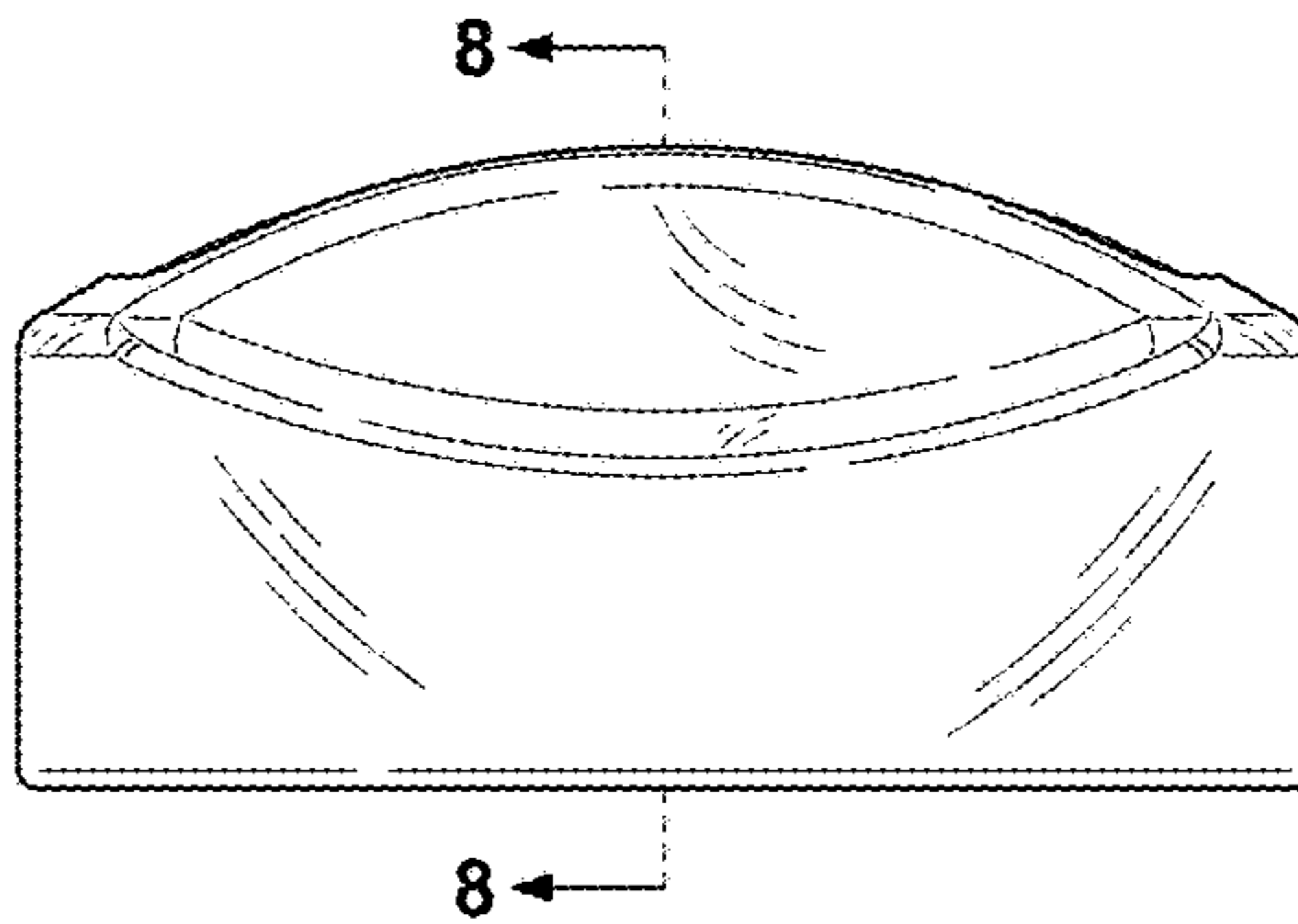


FIG. 4

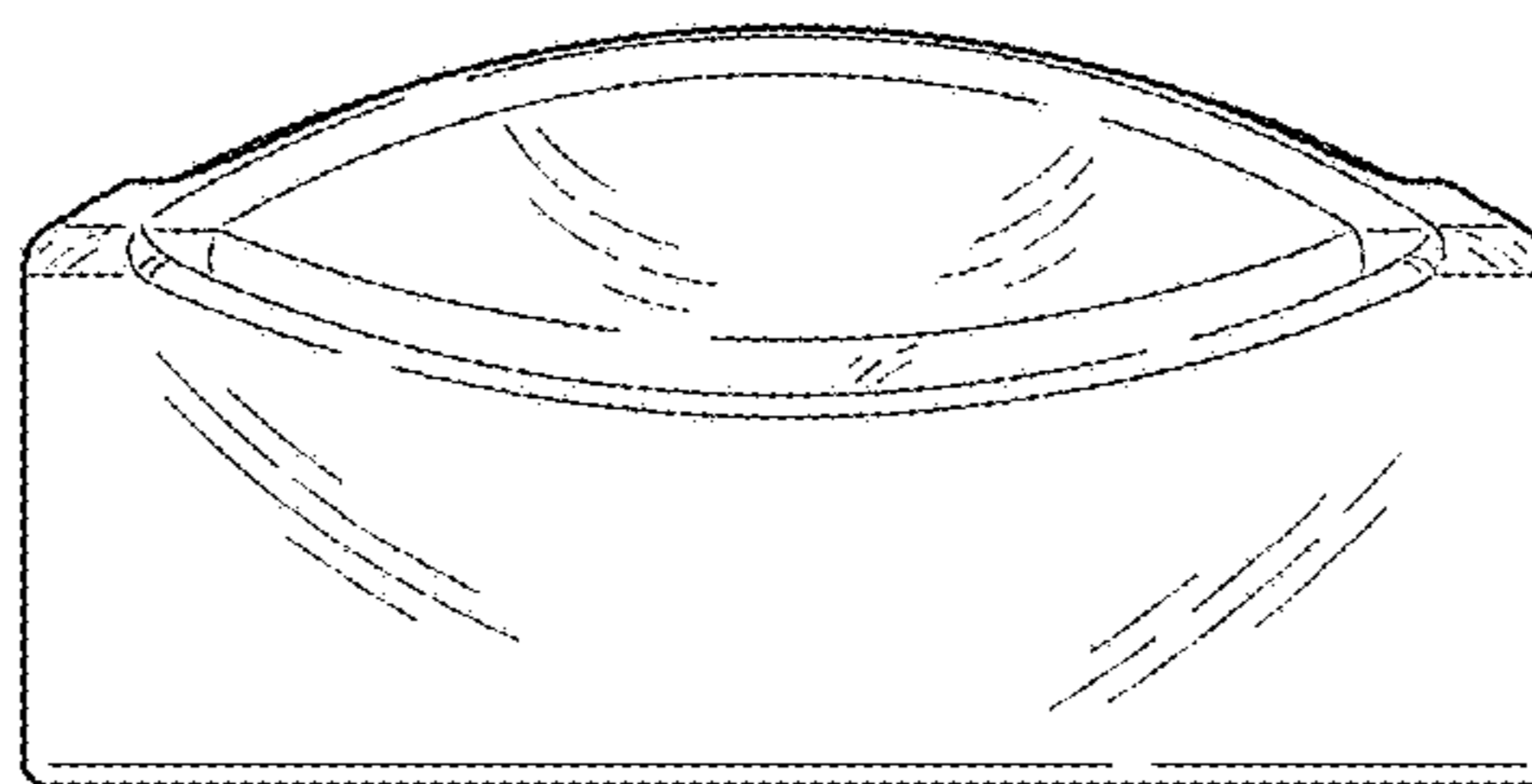


FIG. 5

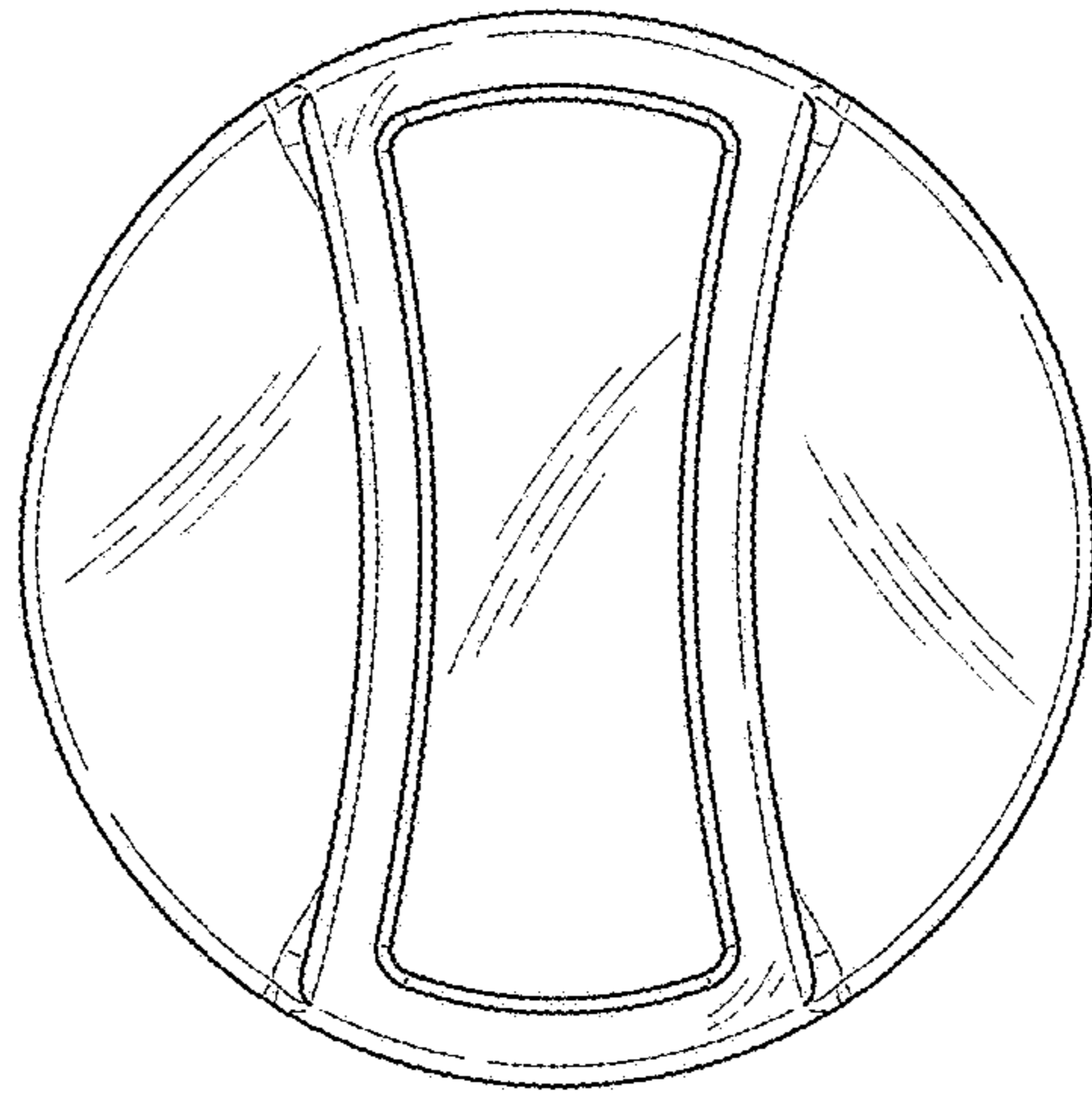


FIG. 6

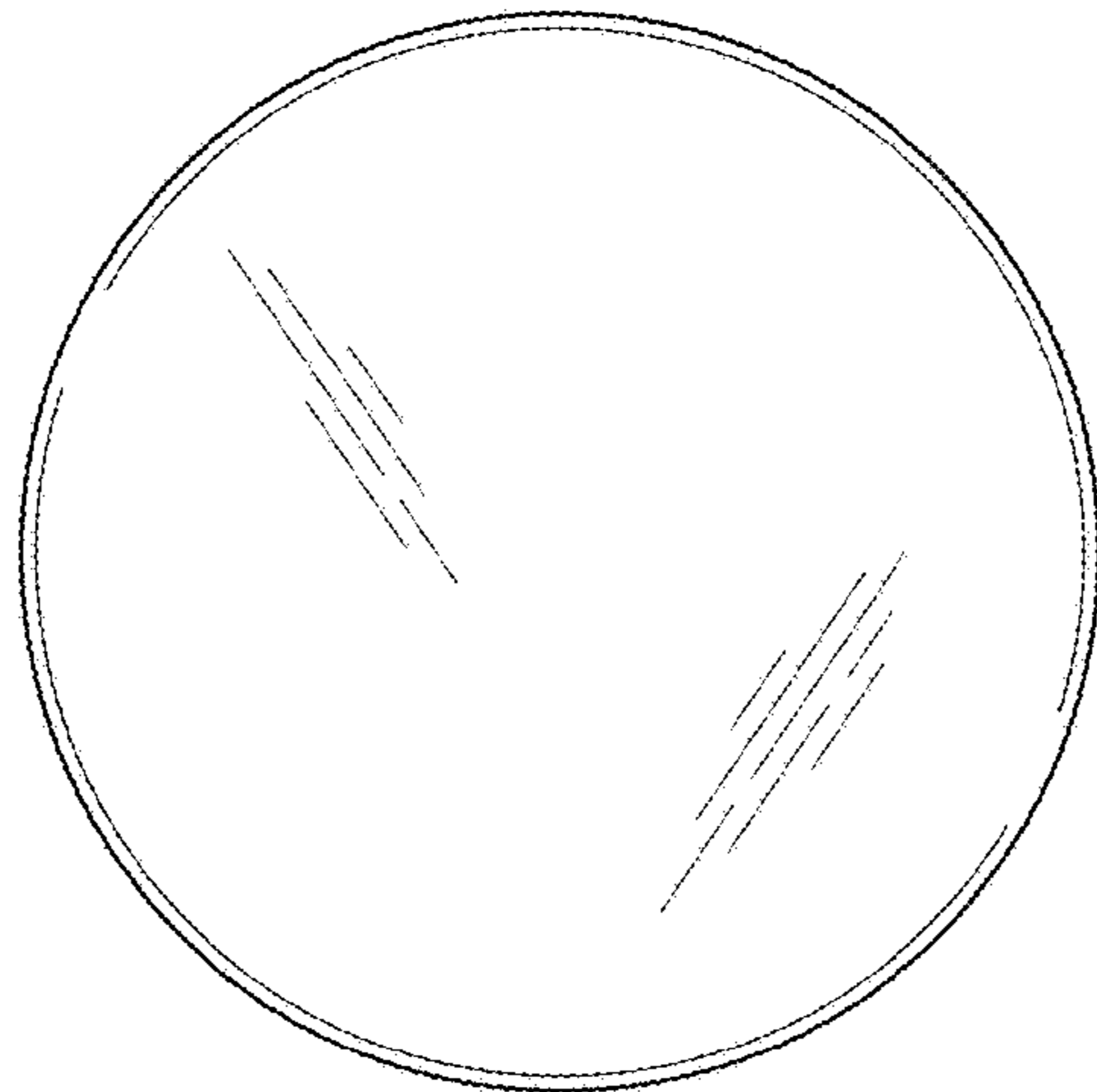


FIG. 7

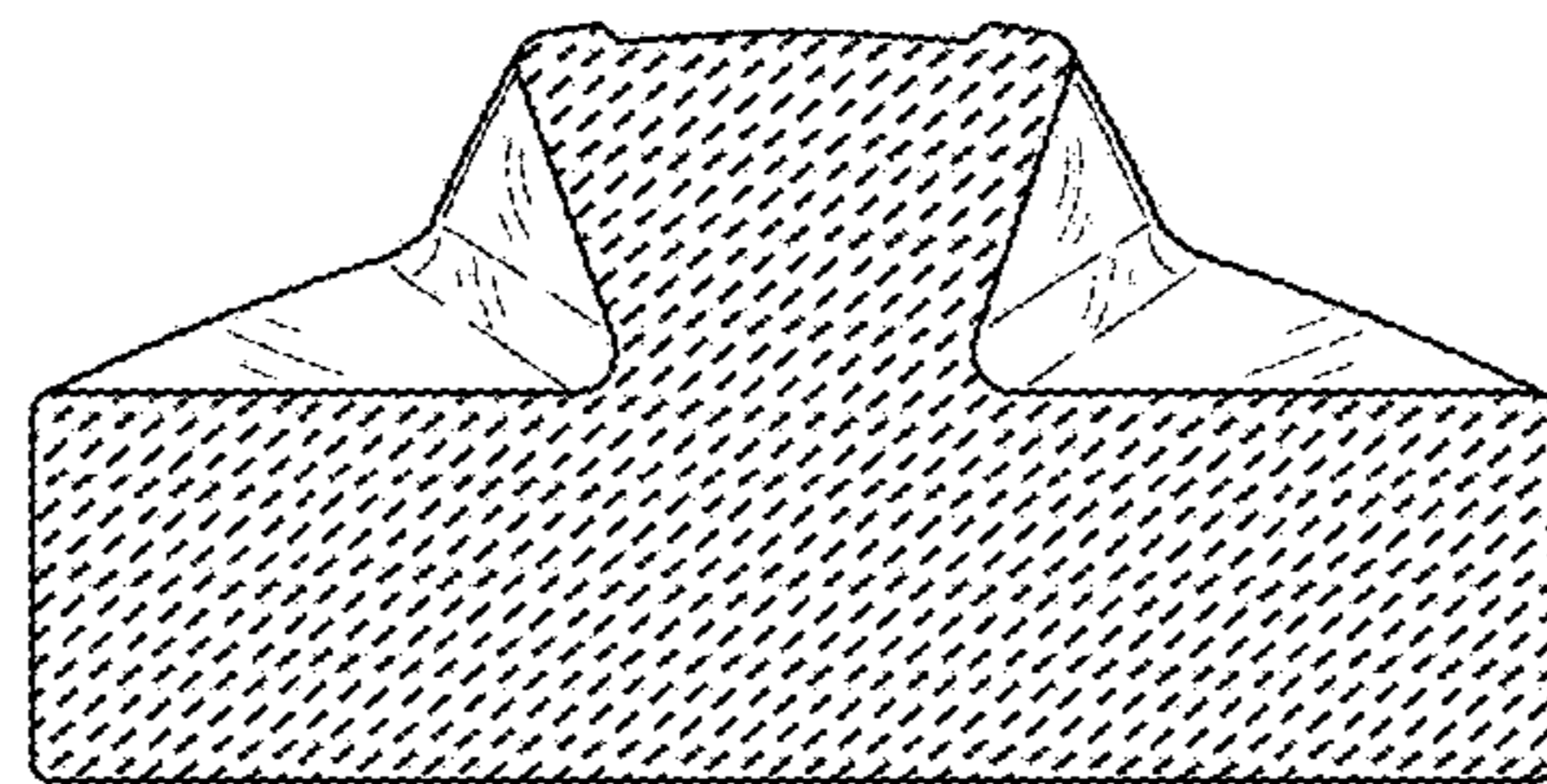


FIG. 8

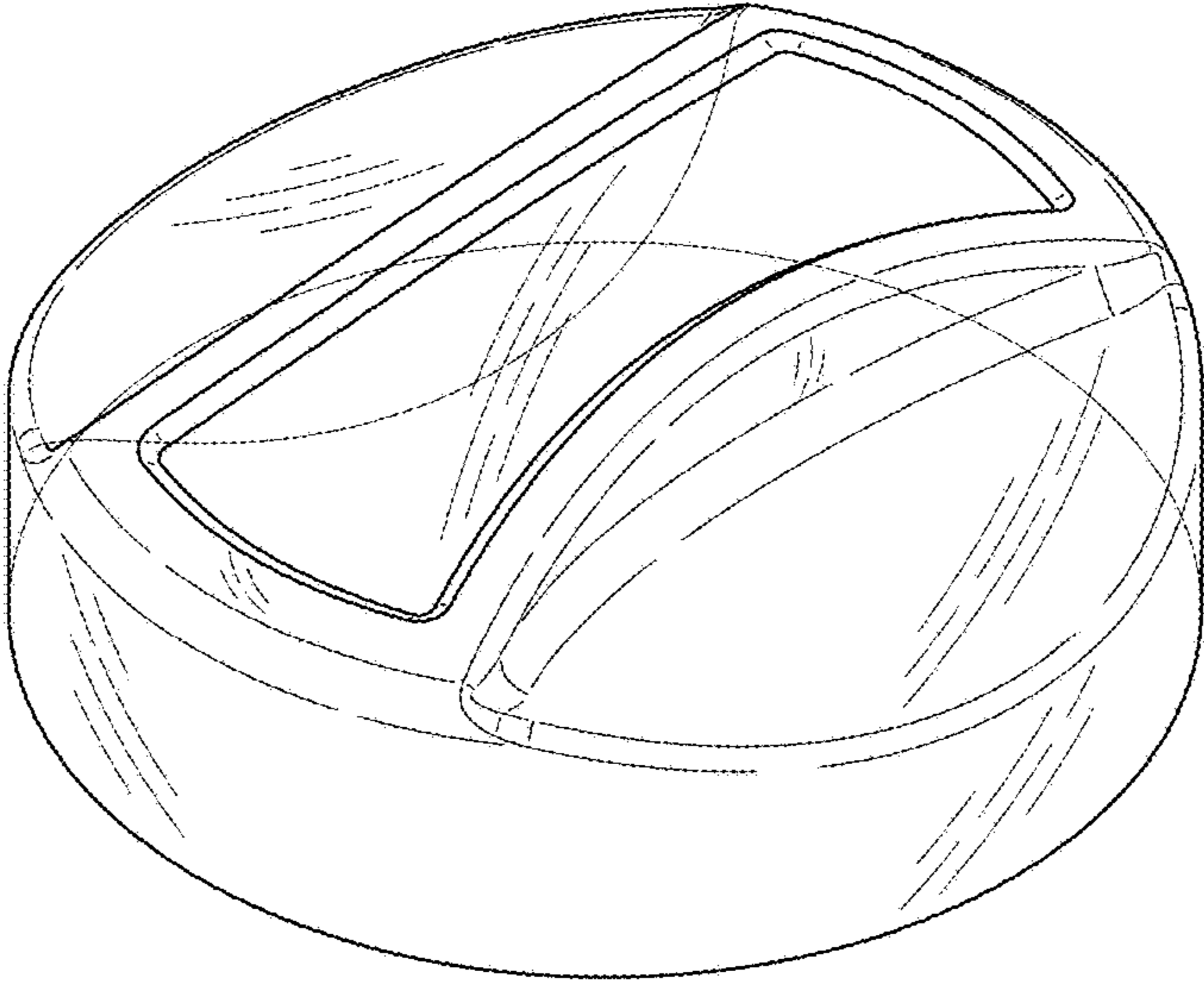


FIG. 9

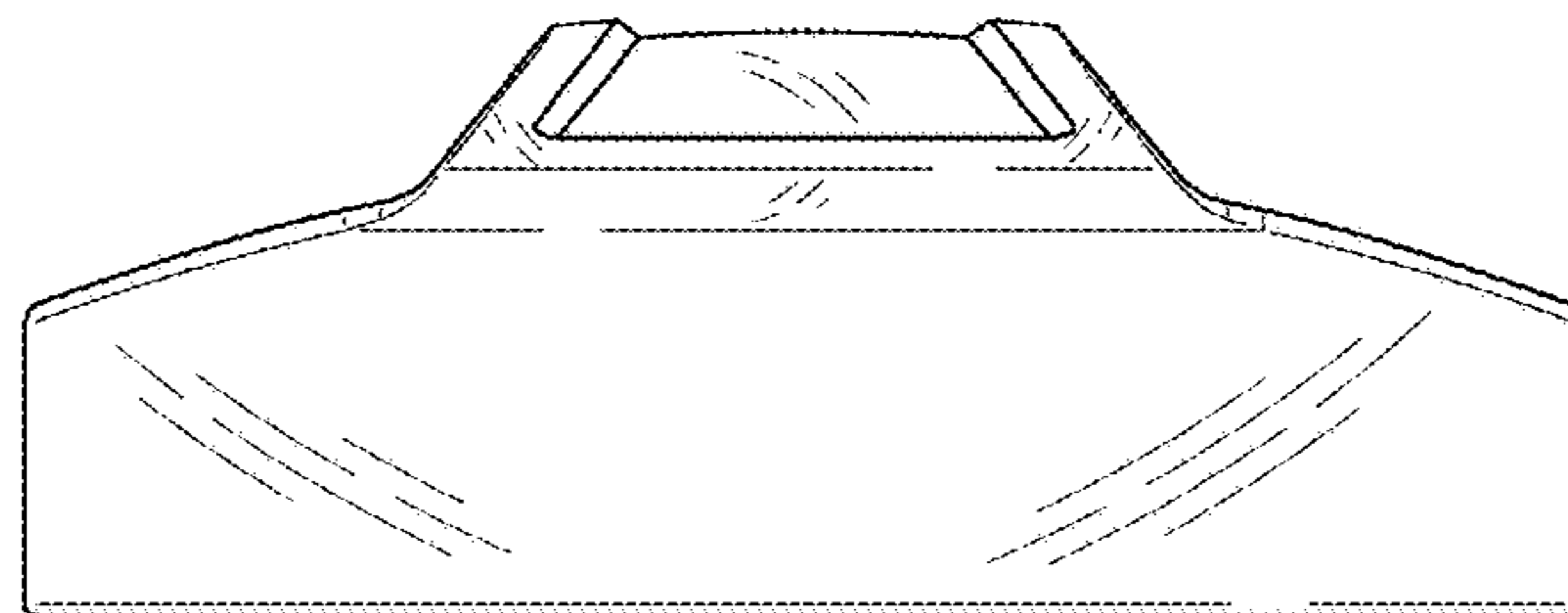


FIG. 10

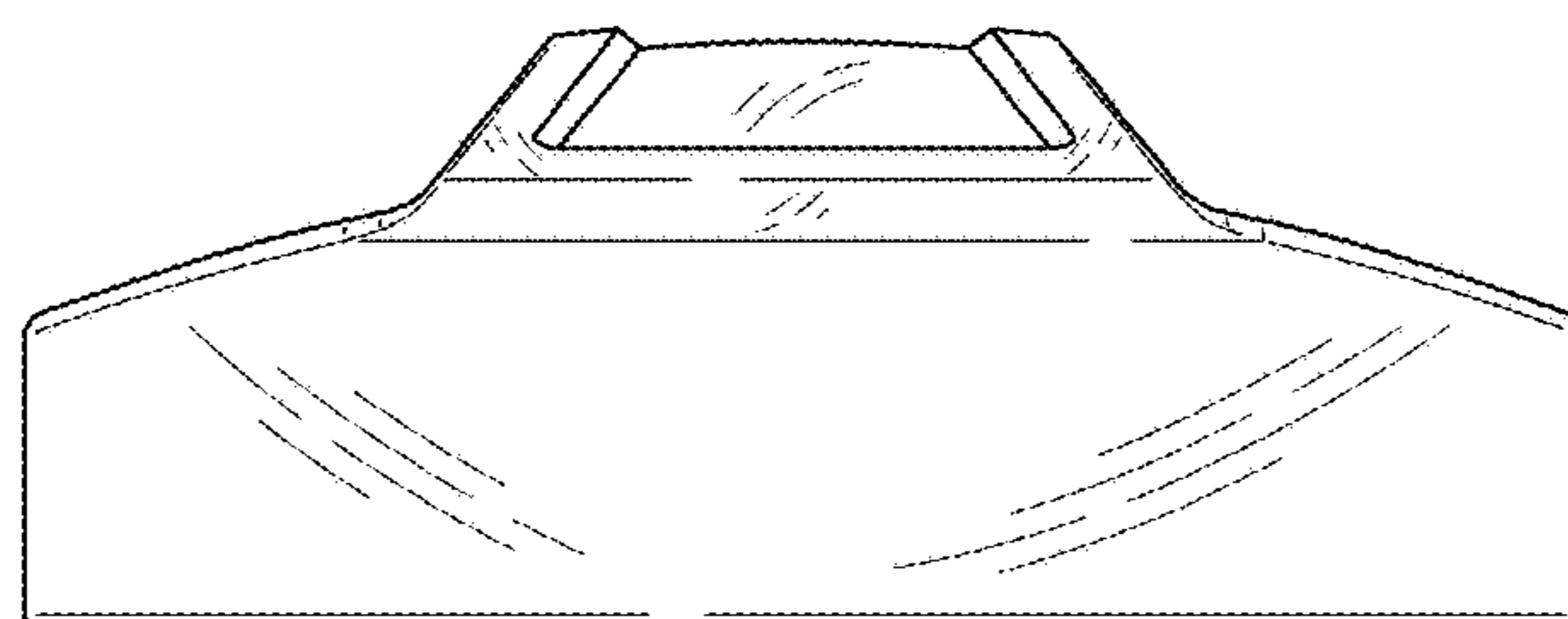


FIG. 11

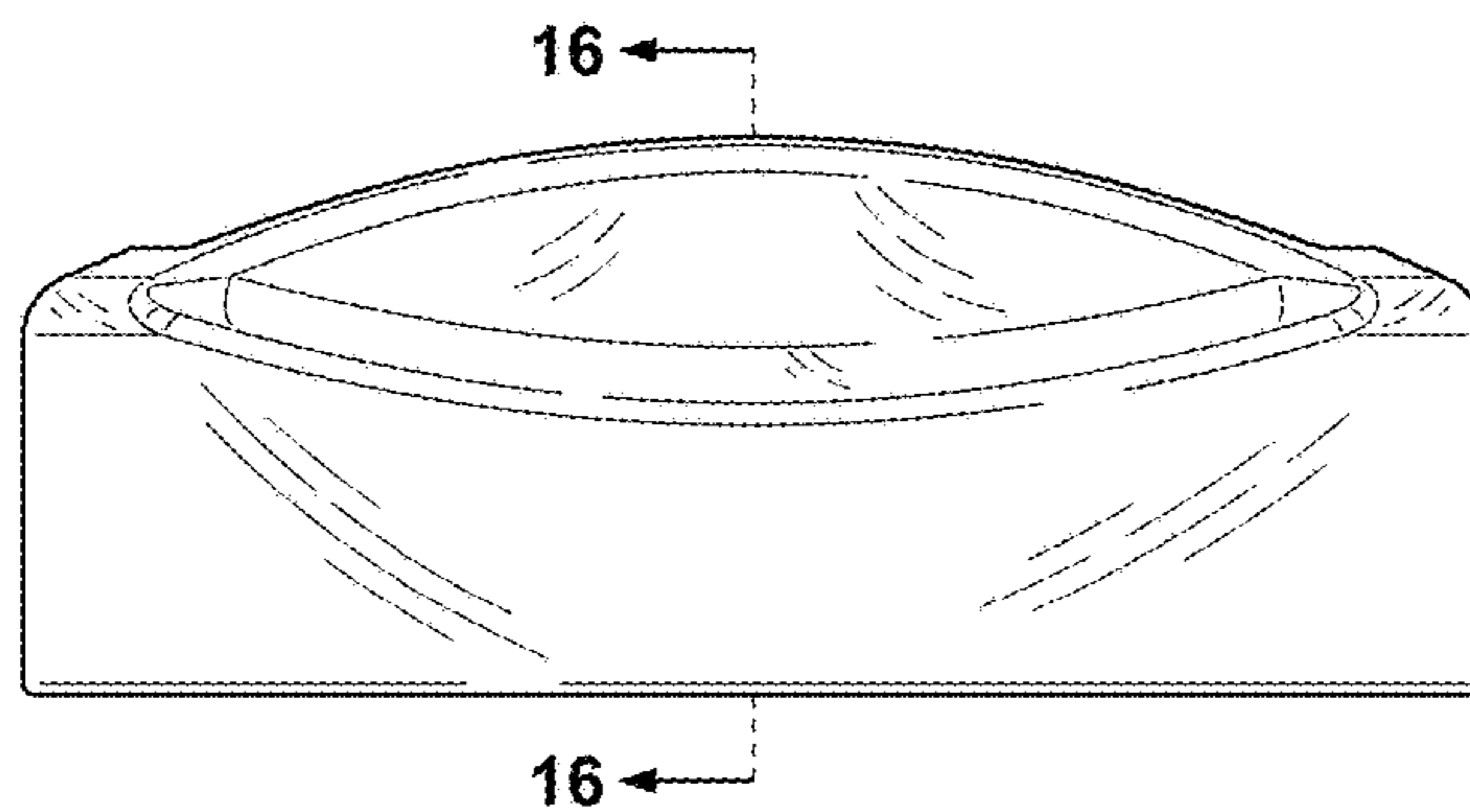


FIG. 12

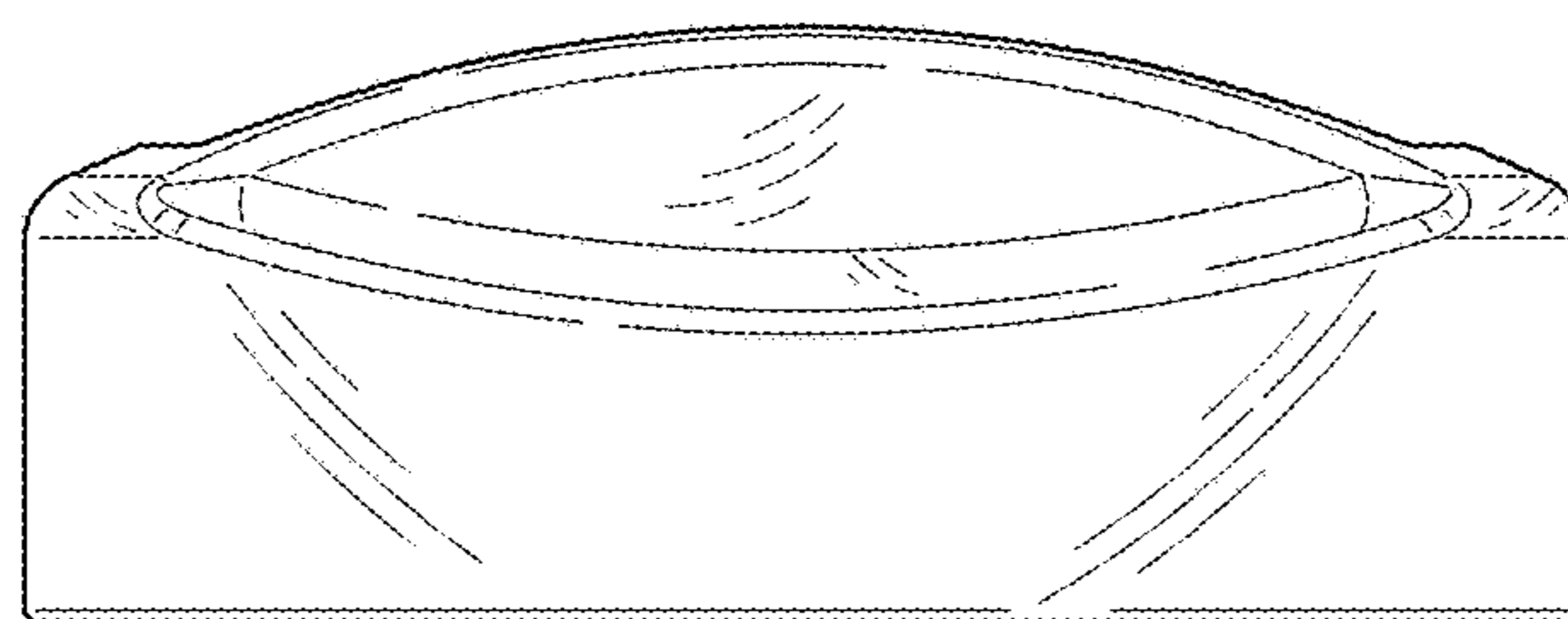


FIG. 13

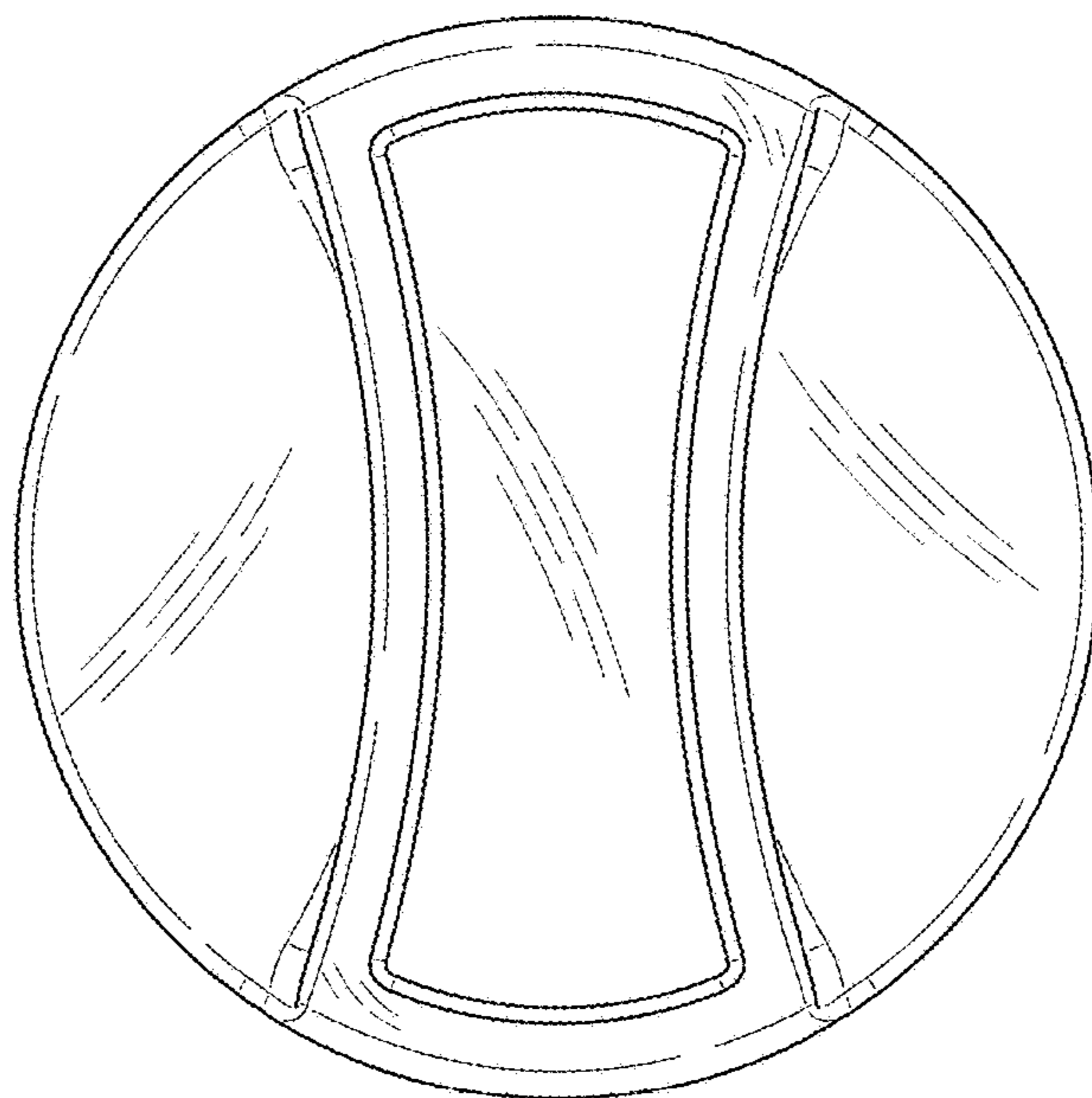


FIG. 14

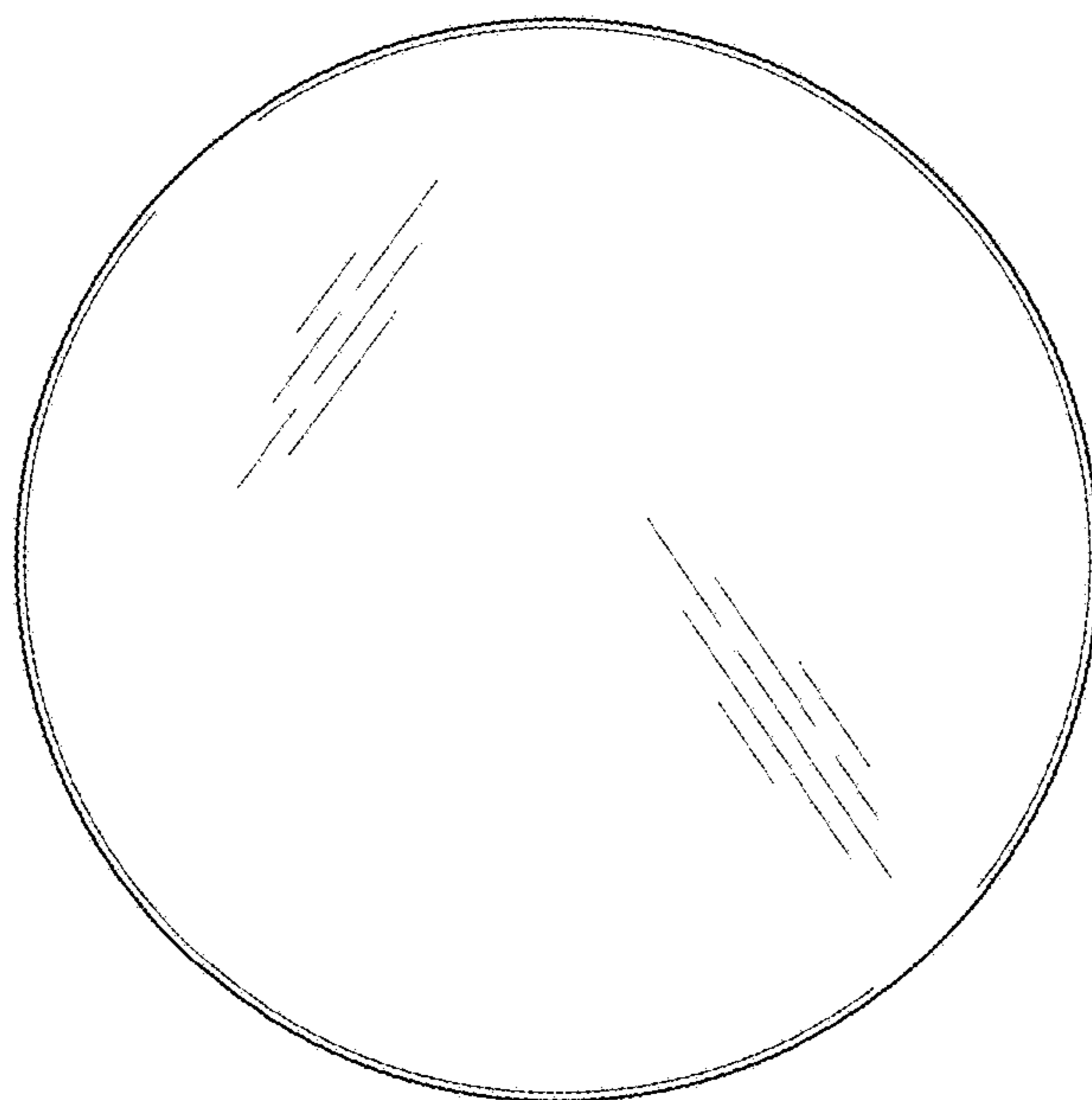


FIG. 15

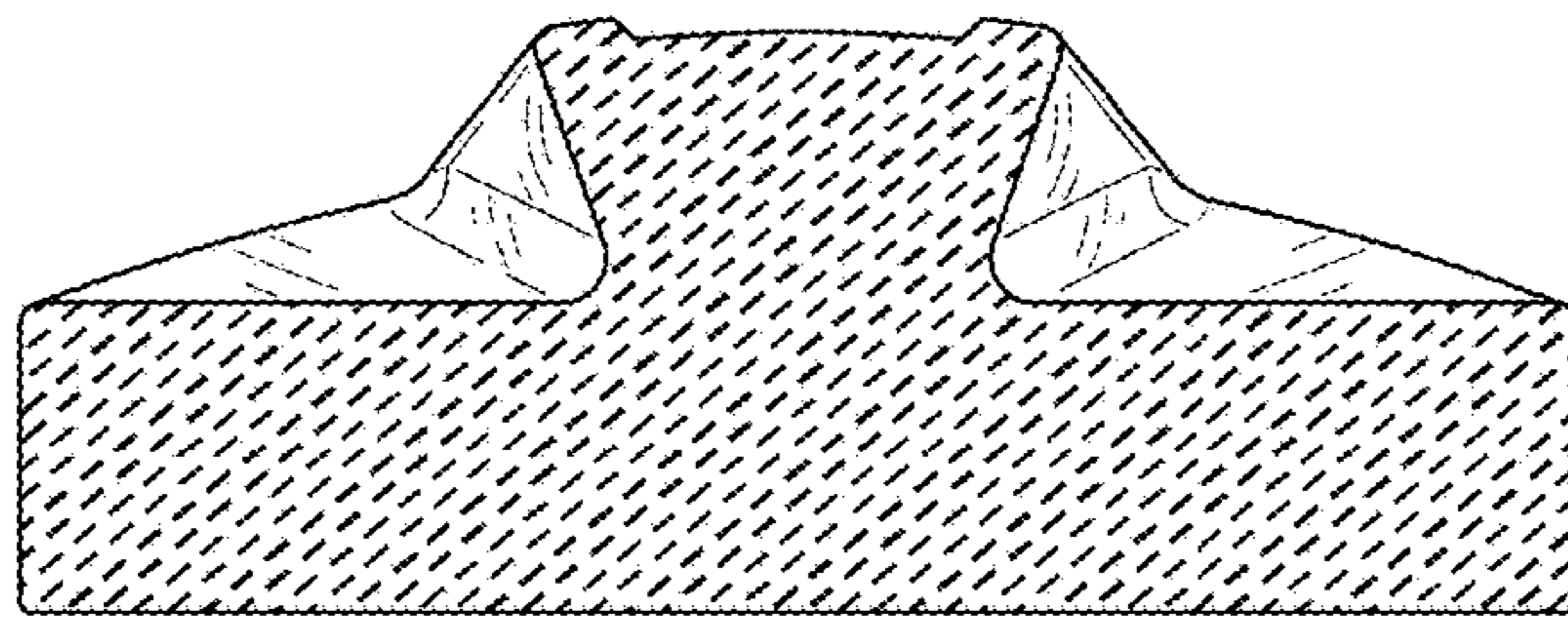


FIG. 16