



US00D854887S

(12) **United States Design Patent**
Boroski

(10) **Patent No.:** **US D854,887 S**
(45) **Date of Patent:** **** Jul. 30, 2019**

(54) **BEVERAGE CONTAINER**

(71) Applicant: **THERMOS L.L.C.**, Schaumburg, IL
(US)

(72) Inventor: **Dwayne Boroski**, Lake in the Hills, IL
(US)

(73) Assignee: **THERMOS L.L.C.**, Schaumburg, IL
(US)

(**) Term: **15 Years**

(21) Appl. No.: **29/623,149**

(22) Filed: **Oct. 23, 2017**

Related U.S. Application Data

(62) Division of application No. 29/587,502, filed on Dec. 13, 2016, now Pat. No. Des. 821,137.

(51) **LOC (11) Cl.** **07-01**

(52) **U.S. Cl.**
USPC **D7/523**; D7/532; D9/502

(58) **Field of Classification Search**
USPC D7/507, 509, 510, 511, 523, 527, 529,
D7/531, 532, 533, 534, 535, 536, 608,
D7/300, 300.1, 300.2, 552.1, 319, 393,
D7/394, 387, 391, 392.1, 396.2; D34/39;
D9/503, 907, 531, 435, 436, 454, 449,
D9/443, 502, 538, 545, 559, 904;
220/592.16, 592.17, 495.03, 705-710
CPC A47G 19/22; A47G 19/2205; A47G
19/2222; A45F 3/16; A45F 3/20; B67D
7/06; B67D 1/0004; B65D 25/14
See application file for complete search history.

(56) **References Cited**

U.S. PATENT DOCUMENTS

D219,898 S * 2/1971 Buckley D7/300.1
D289,484 S * 4/1987 Forquer D7/532

D321,623 S * 11/1991 Sun D7/317
D521,802 S * 5/2006 Sands D7/396.2
D565,902 S * 4/2008 Bodum D7/500
D683,575 S * 6/2013 Devlin D7/300.1
D688,521 S * 8/2013 Lees D7/510
D688,523 S * 8/2013 Lees D7/510
D726,499 S * 4/2015 Kim D7/510
D730,696 S * 6/2015 Nemeth D7/523
D742,699 S * 11/2015 Boroski D7/608
D747,136 S * 1/2016 Lane D7/396.2
D754,485 S * 4/2016 Lapsker D7/523
D767,930 S * 10/2016 Gamelli D7/300.1
D768,507 S * 10/2016 Hotell D9/738
D788,530 S * 6/2017 Kestenbaum D7/509
D793,166 S * 8/2017 Karussi D7/510
D812,976 S * 3/2018 Schlesinger D7/510
D821,137 S * 6/2018 Boroski D7/392.1
D827,381 S * 9/2018 Boroski D7/536

(Continued)

Primary Examiner — Marianne N Pandozzi

Assistant Examiner — Jae Liang

(74) *Attorney, Agent, or Firm* — Polsinelli PC

(57) **CLAIM**

The ornamental design for a beverage container, as shown and described.

DESCRIPTION

FIG. 1 is a perspective view of a beverage container showing my new design;

FIG. 2 is a front view of the beverage container;

FIG. 3 is a rear view of the beverage container;

FIG. 4 is a right side view of the beverage container;

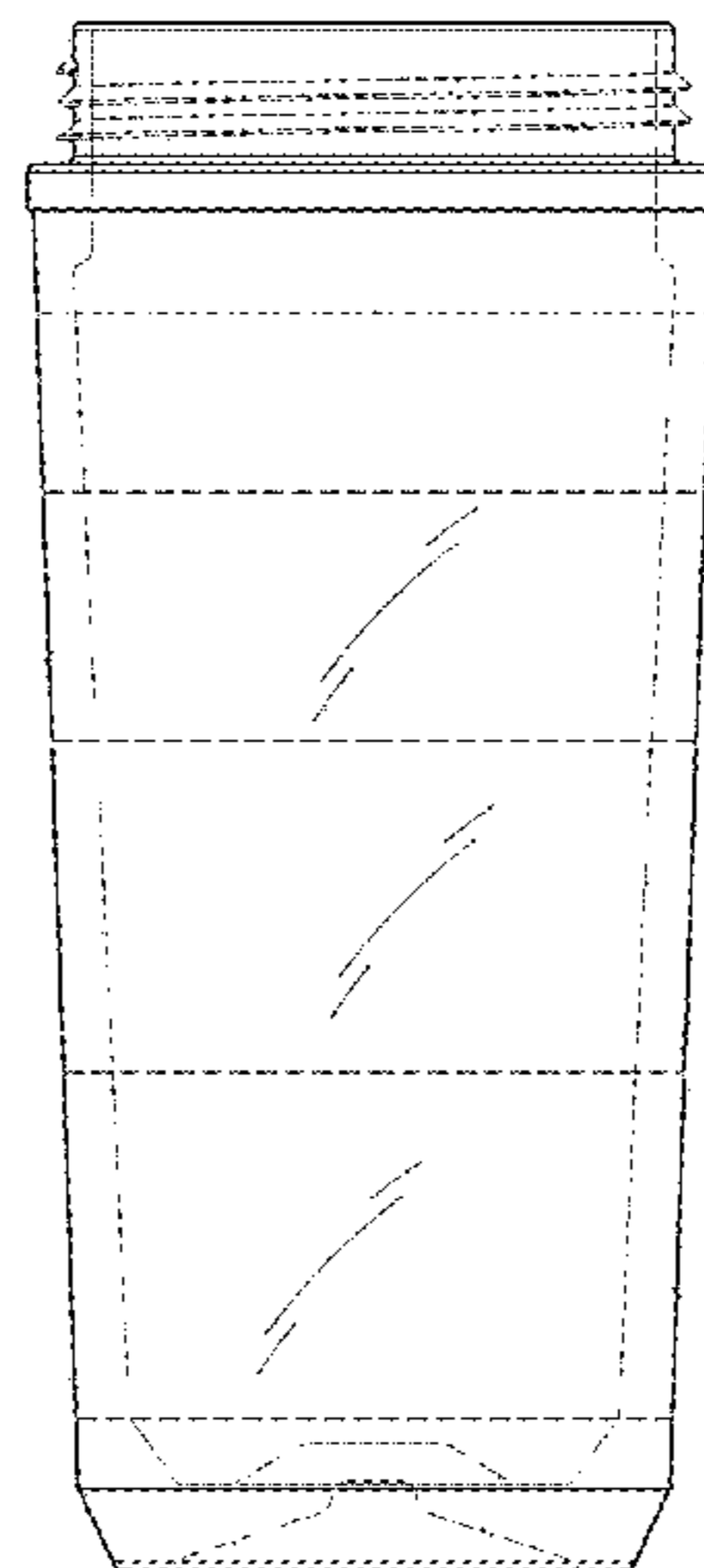
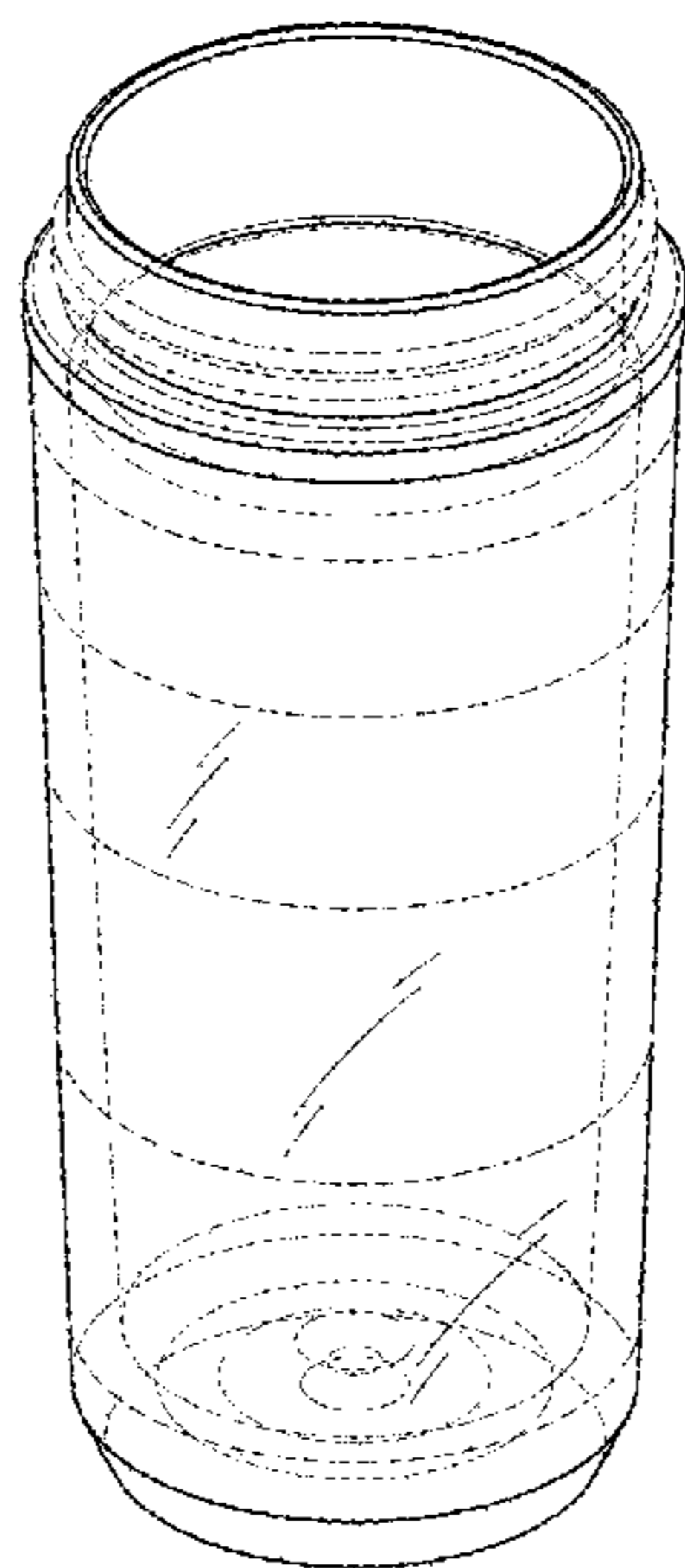
FIG. 5 is a left side view of the beverage container;

FIG. 6 is a top view of the beverage container; and,

FIG. 7 is a bottom view of the beverage container.

The broken lines showing in the figures are included for the purpose of illustrating portions of the beverage container that form no part of the claimed design.

1 Claim, 4 Drawing Sheets



(56)

References Cited

U.S. PATENT DOCUMENTS

2005/0045643 A1 * 3/2005 Ghanem A47G 19/2227
220/592.17

* cited by examiner

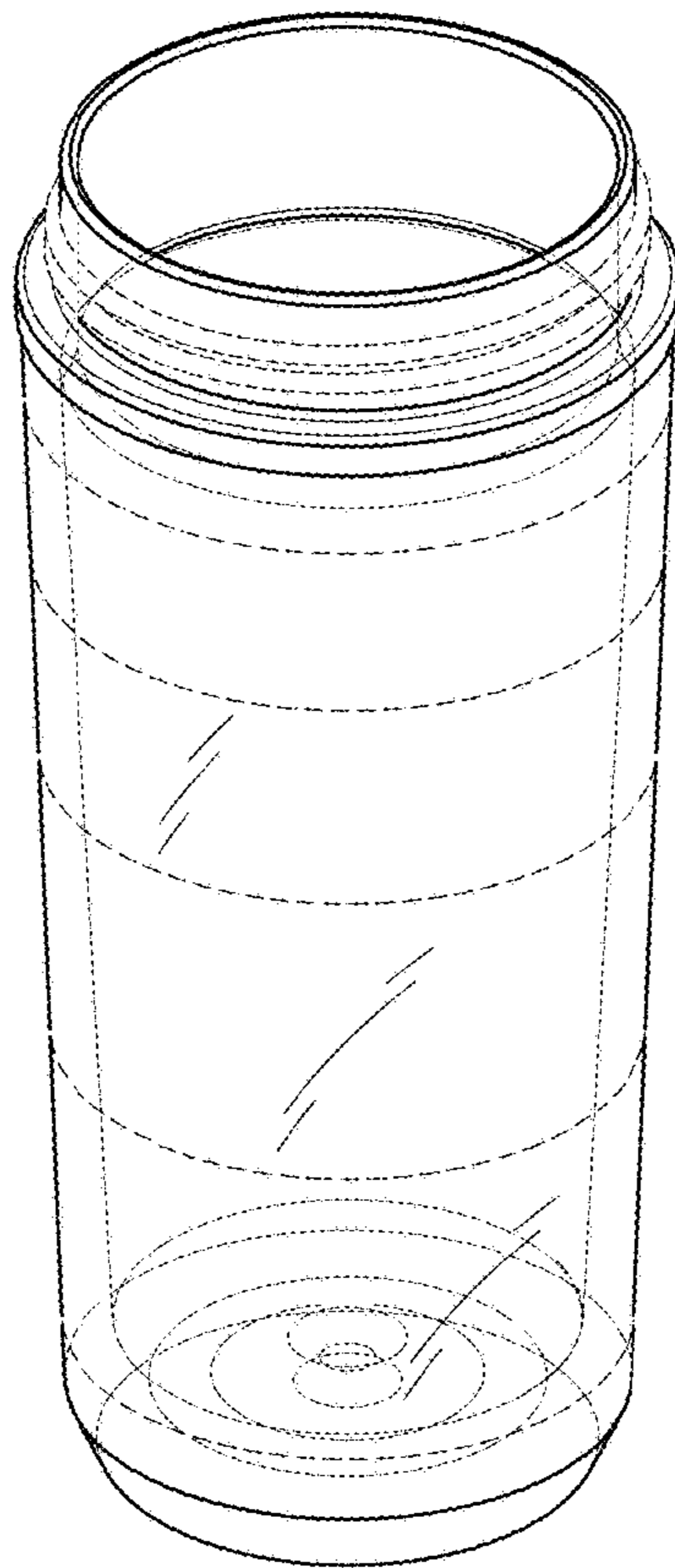


FIG. 1

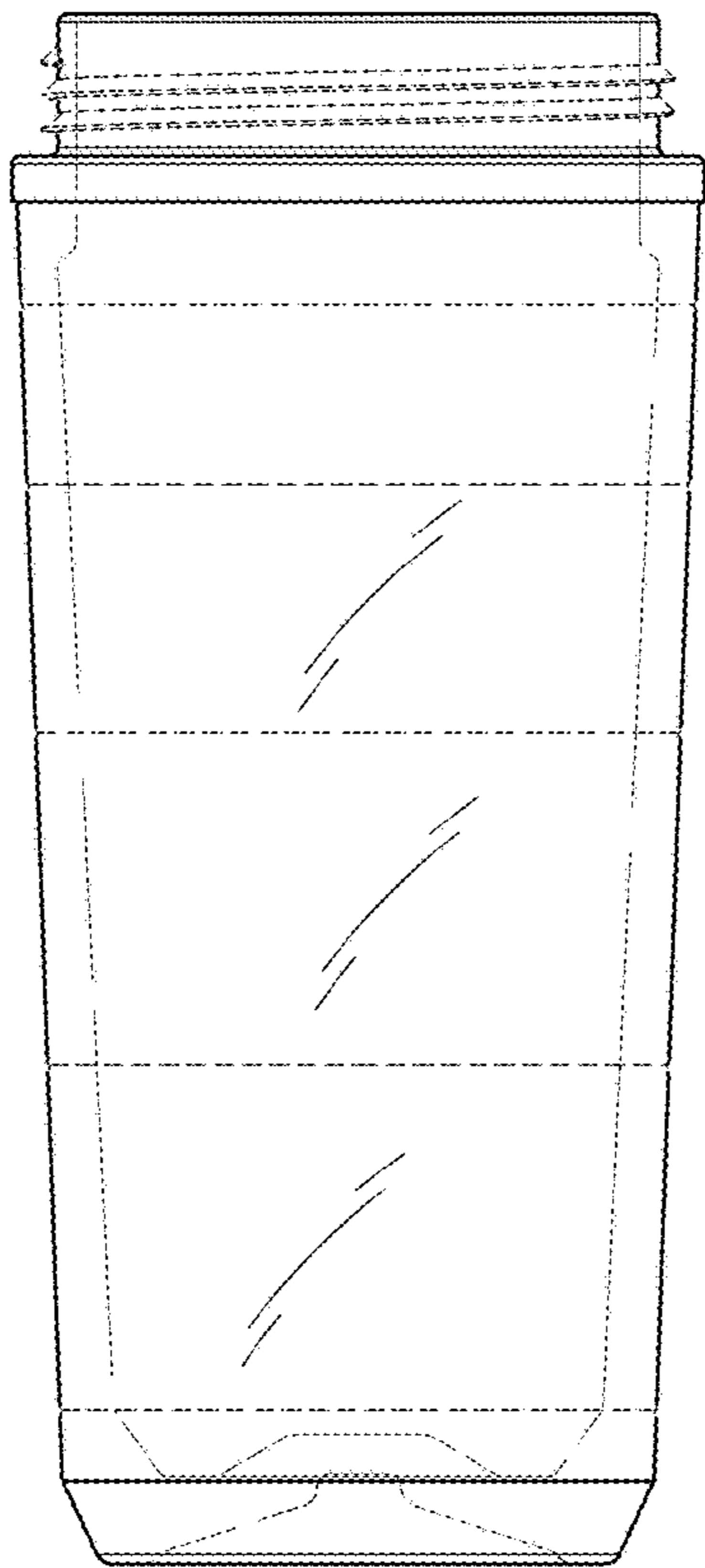


FIG. 2

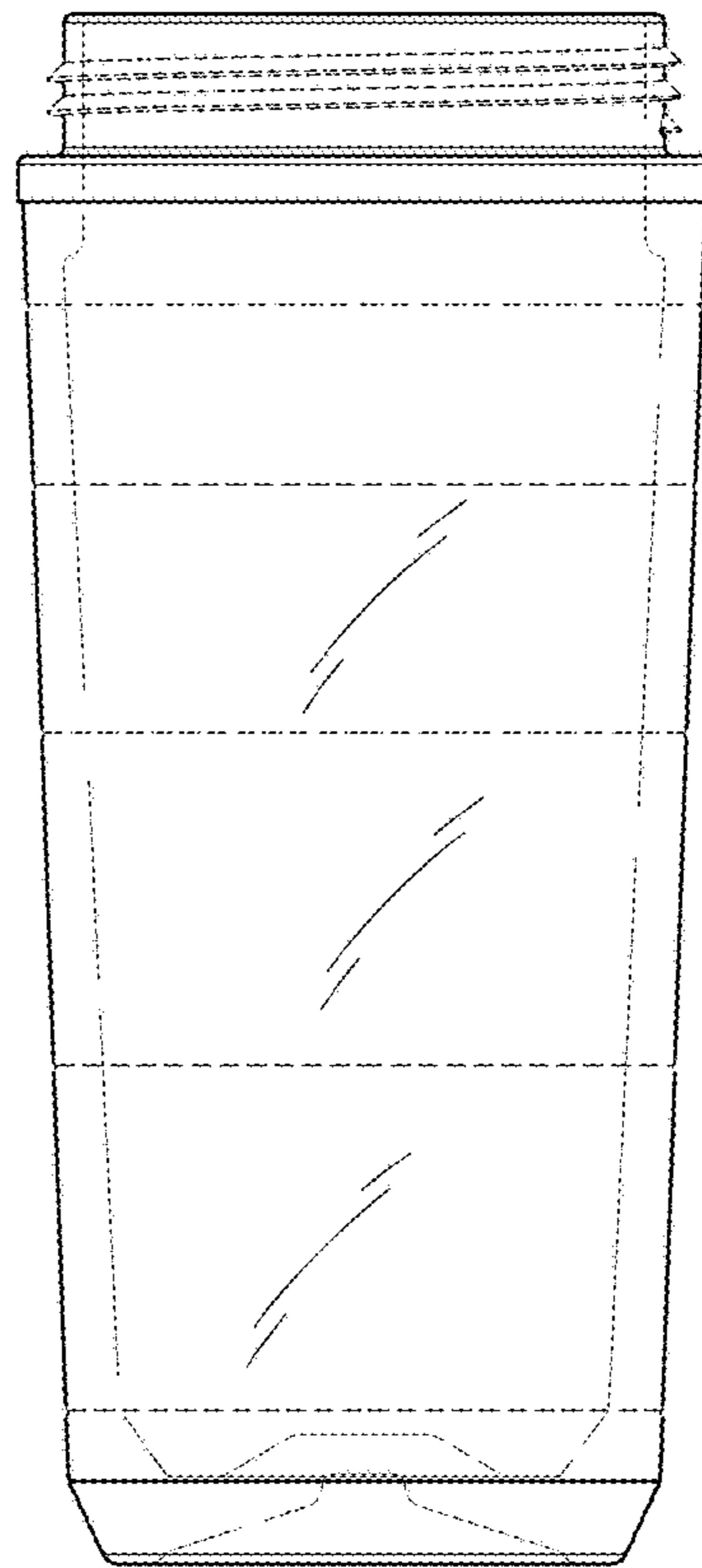


FIG. 3

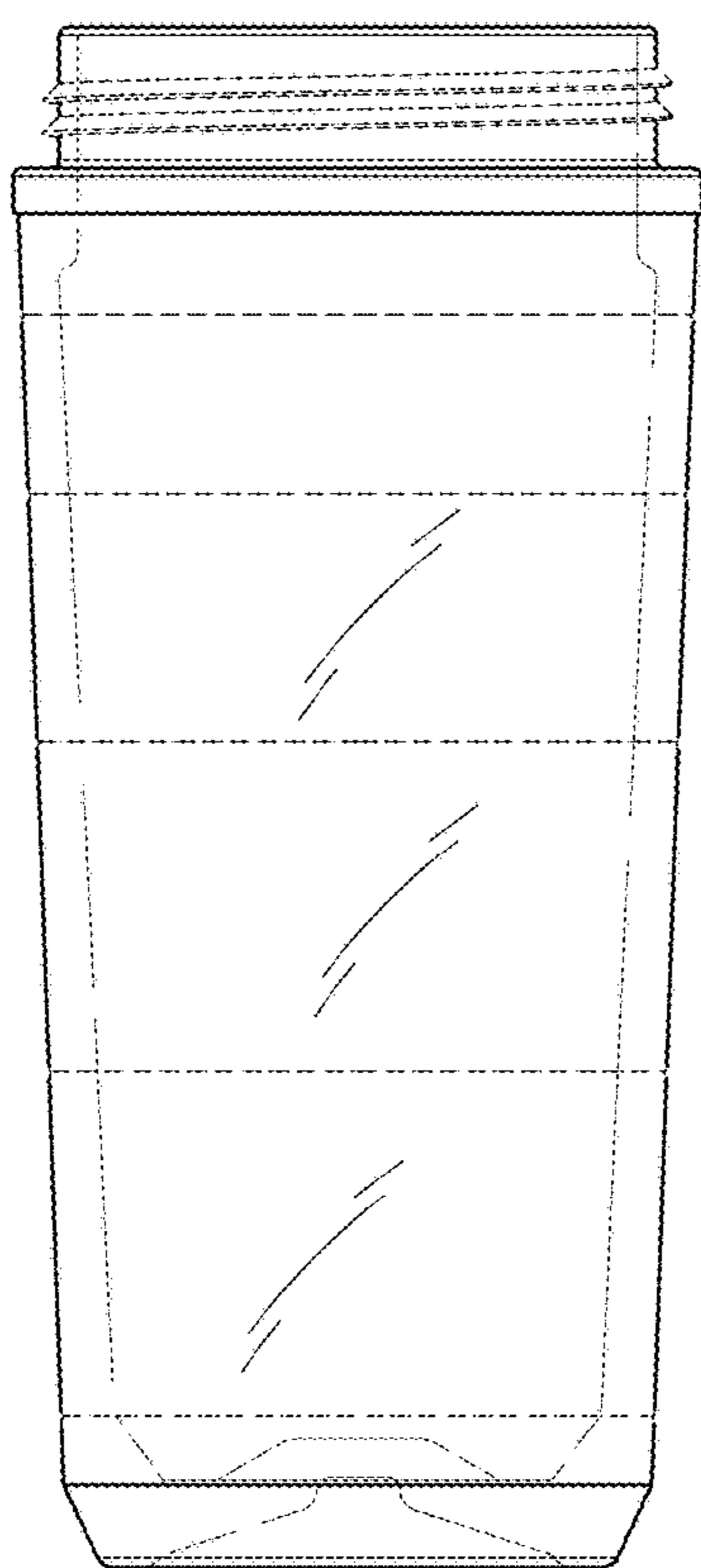


FIG. 4

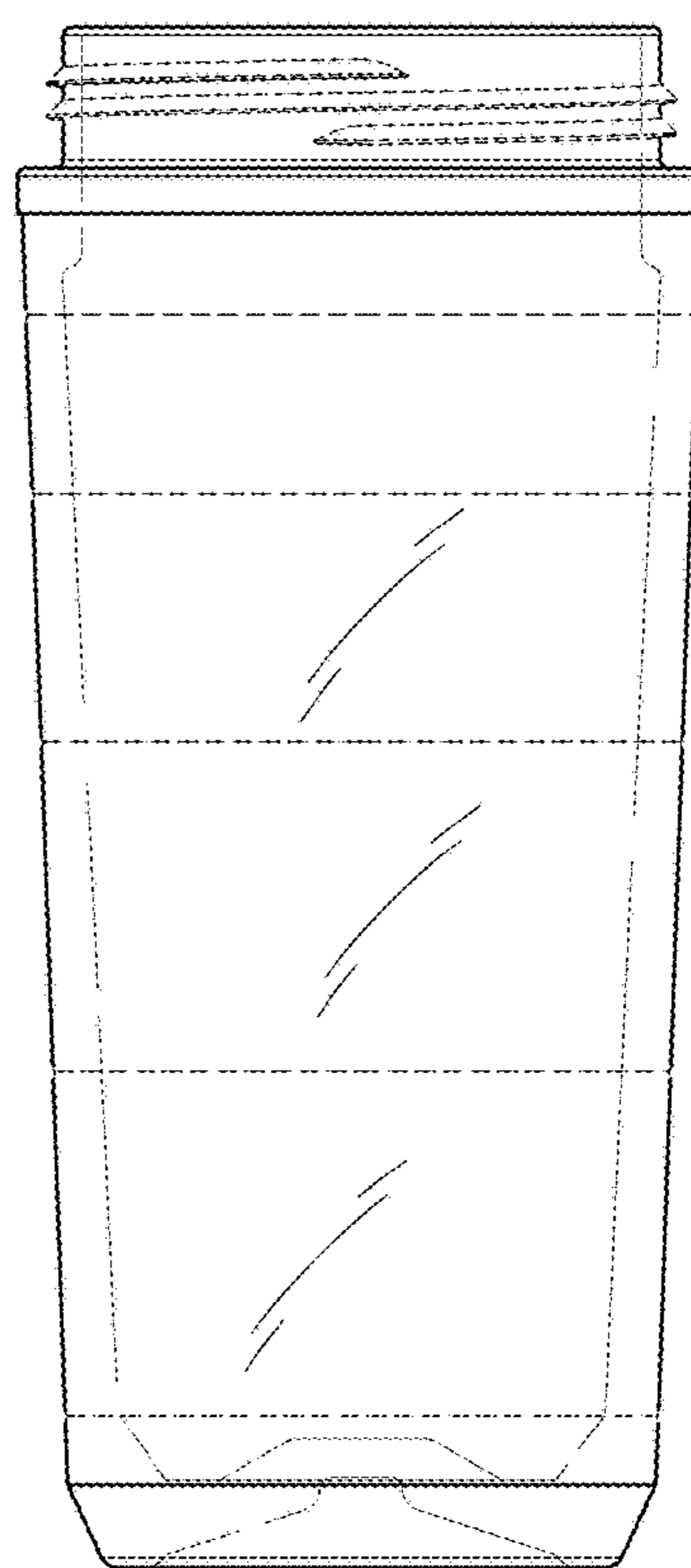


FIG. 5

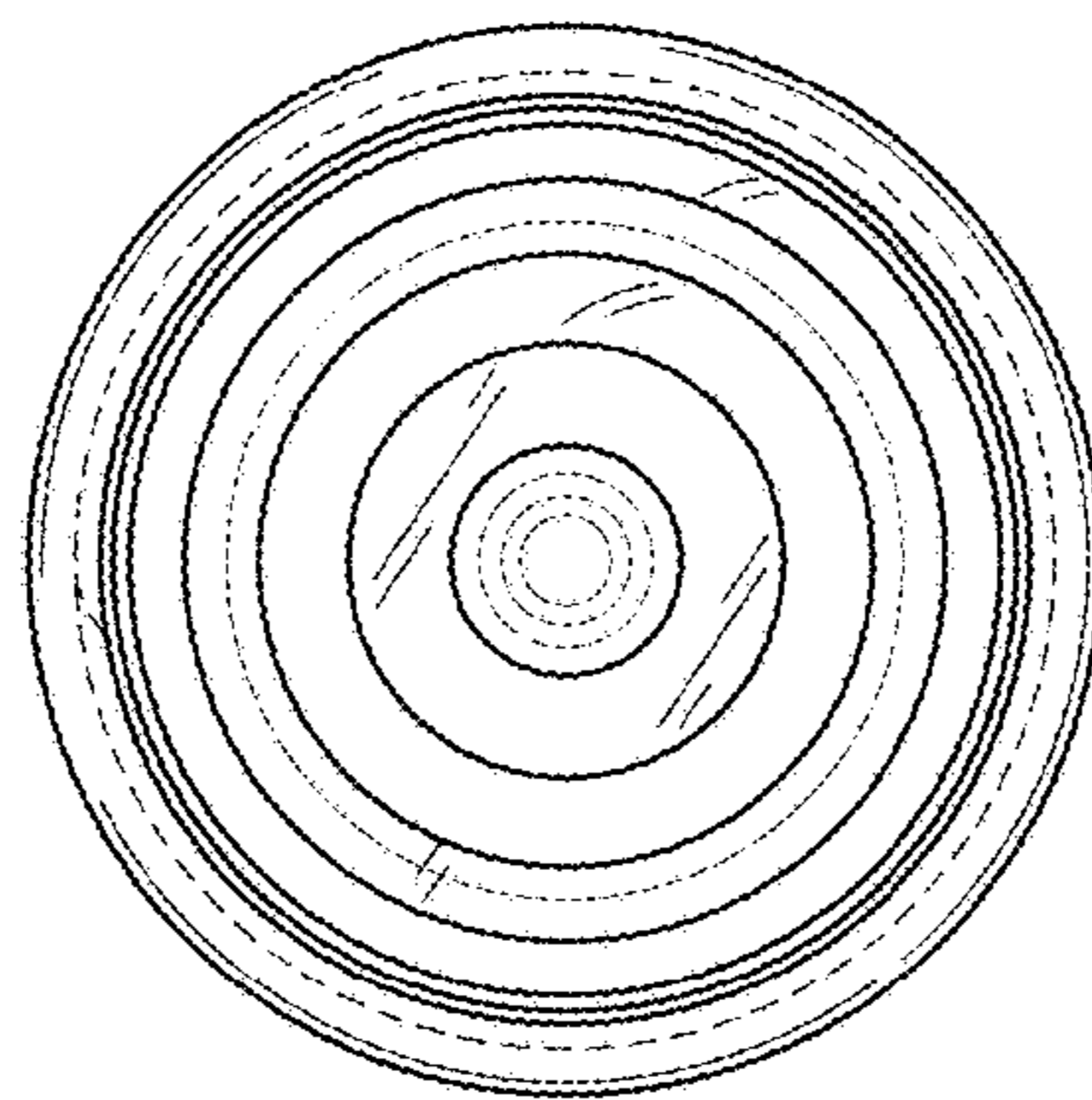


FIG. 6

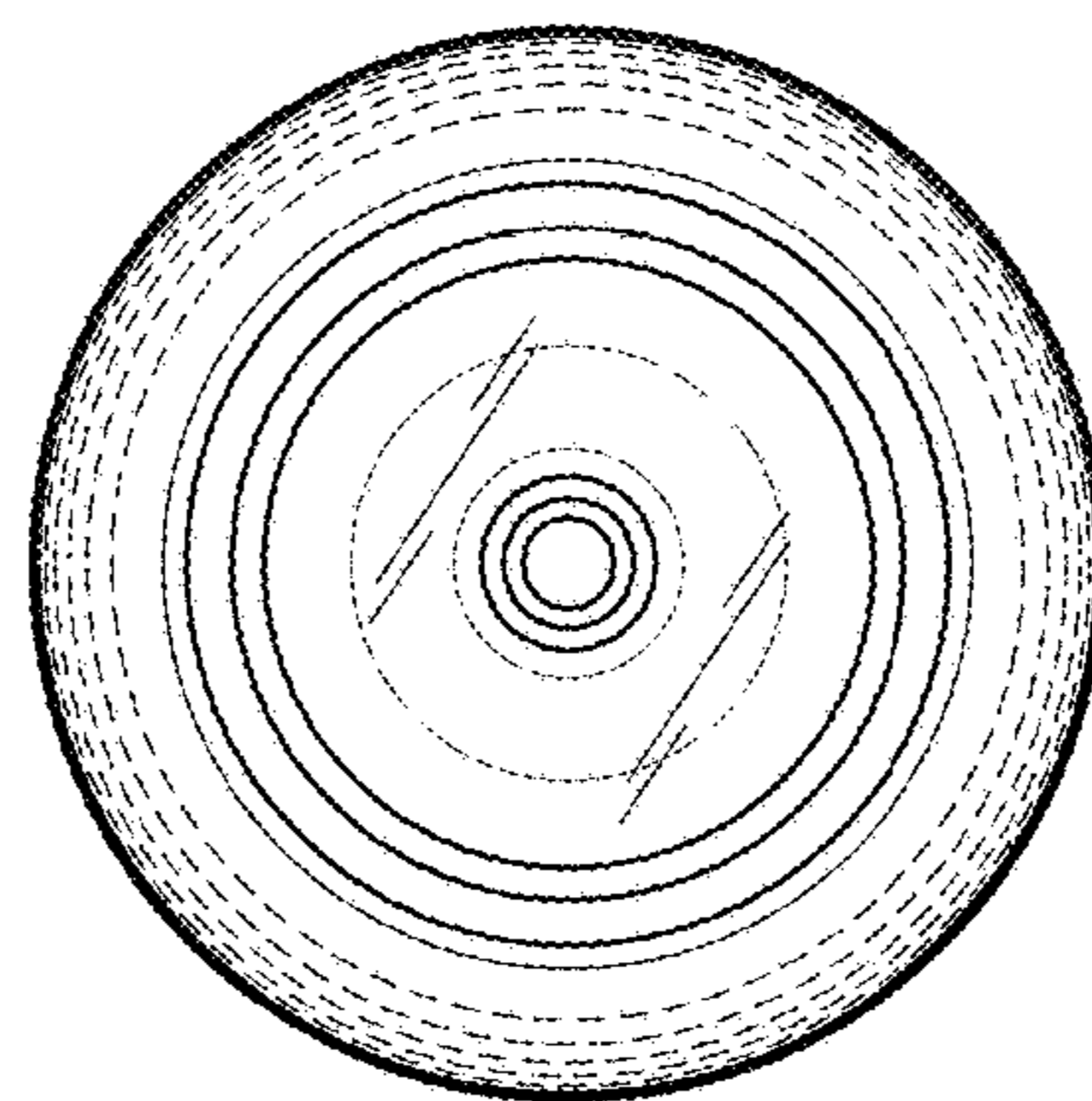


FIG. 7