



US00D854885S

(12) **United States Design Patent**
Funnell, II

(10) **Patent No.:** **US D854,885 S**
(45) **Date of Patent:** **** Jul. 30, 2019**

(54) **CONTROL PANEL FOR GAS RANGE**

(71) Applicant: **BSH Home Appliances Corporation**,
Irvine, CA (US)

(72) Inventor: **Richard W. Funnell, II**, Huntington
Beach, CA (US)

(73) Assignee: **BSH Home Appliances Corporation**,
Irvine, CA (US)

(**) Term: **15 Years**

(21) Appl. No.: **29/624,724**

(22) Filed: **Nov. 3, 2017**

Related U.S. Application Data

(62) Division of application No. 29/570,290, filed on Jul. 7, 2016, now Pat. No. Des. 804,889, which is a division of application No. 29/526,328, filed on May 8, 2015, now Pat. No. Des. 767,324, which is a division of application No. 29/456,406, filed on May 31, 2013, now Pat. No. Des. 736,553.

(51) **LOC (11) Cl.** **07-02**

(52) **U.S. Cl.**
USPC **D7/406**

(58) **Field of Classification Search**
USPC D7/323, 339-349, 402, 405, 406
CPC F24C 3/00-14; F24C 7/00-105; F24C
14/00-025; F24C 15/00-14
See application file for complete search history.

(56) **References Cited**

U.S. PATENT DOCUMENTS

D369,514 S * 5/1996 Baldwin D7/406
D511,935 S * 11/2005 Briedis D7/406
D524,093 S * 7/2006 Home D7/340
D536,208 S * 2/2007 Ostlund D7/340

D536,568 S * 2/2007 Ostlund D7/340
D555,976 S * 11/2007 Baldwin D7/405
D559,206 S * 1/2008 Neveu D13/174
D564,282 S * 3/2008 Suh D7/340
D564,837 S * 3/2008 Green D7/406
D604,987 S * 12/2009 Jung D7/348
D622,537 S * 8/2010 Kim D7/340
D642,418 S * 8/2011 Kim D7/340
D696,554 S * 12/2013 Kim D7/406
D697,358 S * 1/2014 Kim D7/340
D703,998 S * 5/2014 Funnell, II D7/393
D704,978 S * 5/2014 Kim D7/340
D710,645 S * 8/2014 Kim D7/340
D714,096 S * 9/2014 Boo D7/406
D724,888 S * 3/2015 Lee D7/340
D726,524 S * 4/2015 Borjesson D8/311
D736,027 S * 8/2015 Funnell, II D7/339
D736,553 S * 8/2015 Funnell, II D7/339
9,103,553 B2 * 8/2015 Daughtridge, Jr. F24C 3/124
9,175,859 B2 * 11/2015 Han F24C 15/002
D755,008 S * 5/2016 Kim D7/406
D755,558 S * 5/2016 Lee D7/340

(Continued)

Primary Examiner — Mitchell I. Siegel

(74) *Attorney, Agent, or Firm* — Michael E. Tschupp;
Andre Pallapies; Brandon G. Braun

(57) **CLAIM**

The ornamental design for a control panel for gas range, as shown and described.

DESCRIPTION

FIG. 1 is a front perspective view of a control panel for gas range showing an embodiment of our new ornamental design;

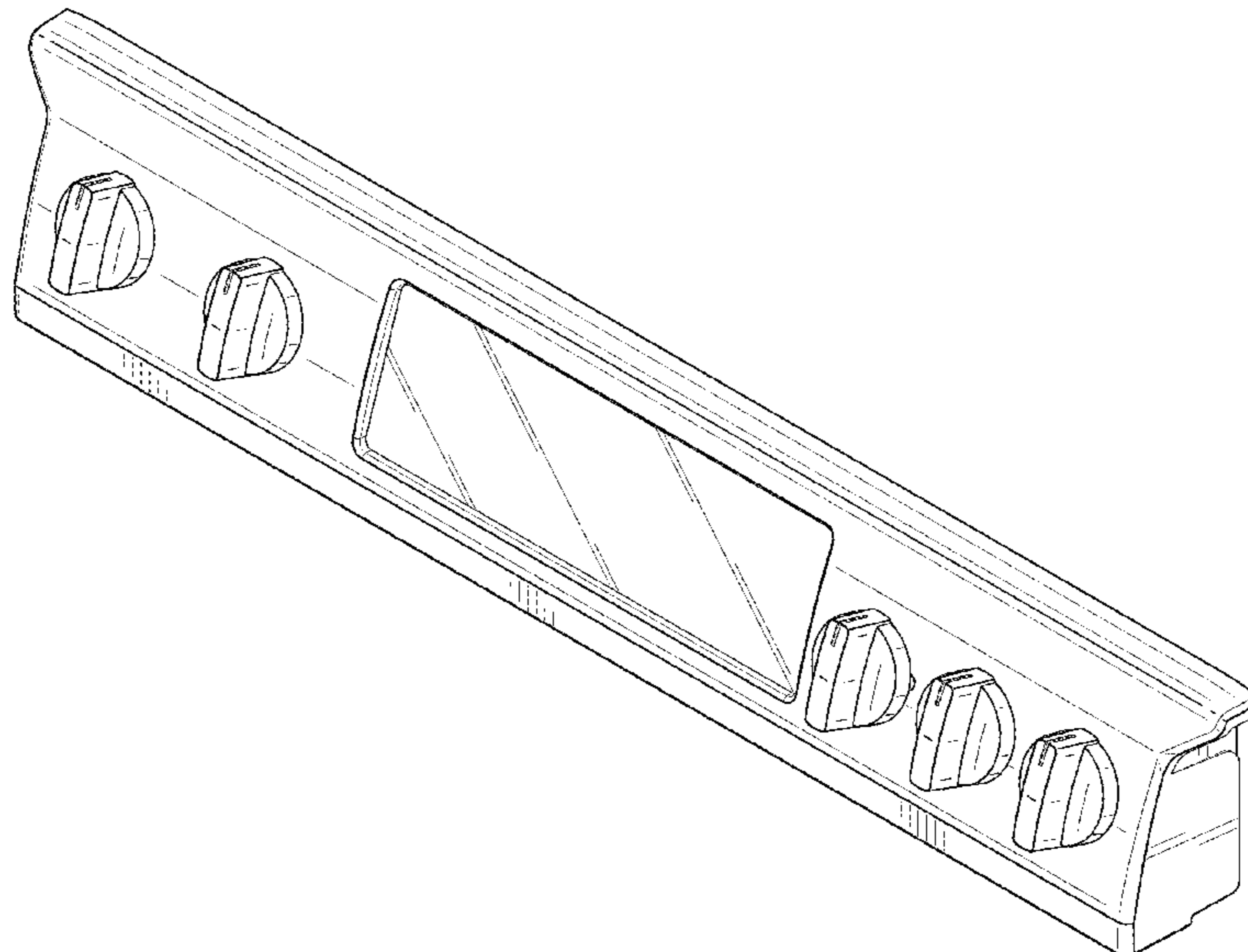
FIG. 2 a front view thereof;

FIG. 3 is a top view thereof; and,

FIG. 4 is a right side view thereof, with the left side view thereof being a minor image thereof.

The broken lines represent environment and form no part of the claimed design.

1 Claim, 2 Drawing Sheets



(56)

References Cited

U.S. PATENT DOCUMENTS

D755,563 S * 5/2016 Kim D7/406
D766,697 S * 9/2016 Vergin D8/311
D766,698 S * 9/2016 Vergin D8/311
9,476,594 B2 * 10/2016 Fockler F24C 3/126
D773,917 S * 12/2016 Shoemaker D8/311
9,528,708 B2 * 12/2016 Lim F24C 3/08
D779,303 S * 2/2017 Shoemaker D8/311
D781,648 S * 3/2017 Shoemaker D7/406
D785,398 S * 5/2017 Kim D7/340
D786,005 S * 5/2017 Kim D7/340
D786,006 S * 5/2017 Chung D7/340
D786,651 S * 5/2017 Shoemaker D8/311
D788,524 S * 6/2017 Funnell, II D7/406
D789,740 S * 6/2017 Shoemaker D7/406
D790,273 S * 6/2017 Vergin D7/406
D793,150 S * 8/2017 Lee D7/323
D793,199 S * 8/2017 Nilssen D8/311
9,791,156 B2 * 10/2017 Cadima F24C 3/085
D805,832 S * 12/2017 Kim D7/340
D806,512 S * 1/2018 Chow D8/311
D808,243 S * 1/2018 Clements D8/311
D808,717 S * 1/2018 Funnell, II D7/406
D814,229 S * 4/2018 Hu D7/340
D817,685 S * 5/2018 Incukur D7/340
9,976,749 B2 * 5/2018 Yang F24C 3/12
9,976,754 B2 * 5/2018 Wojcik F24C 15/12
D824,237 S * 7/2018 Gregory D8/311
D824,744 S * 8/2018 Ortner D8/311
D825,248 S * 8/2018 Jeon D7/340
10,054,315 B2 * 8/2018 Choi F24C 3/126
2010/0006085 A1 * 1/2010 Thomas F24C 15/325
126/21 A

* cited by examiner

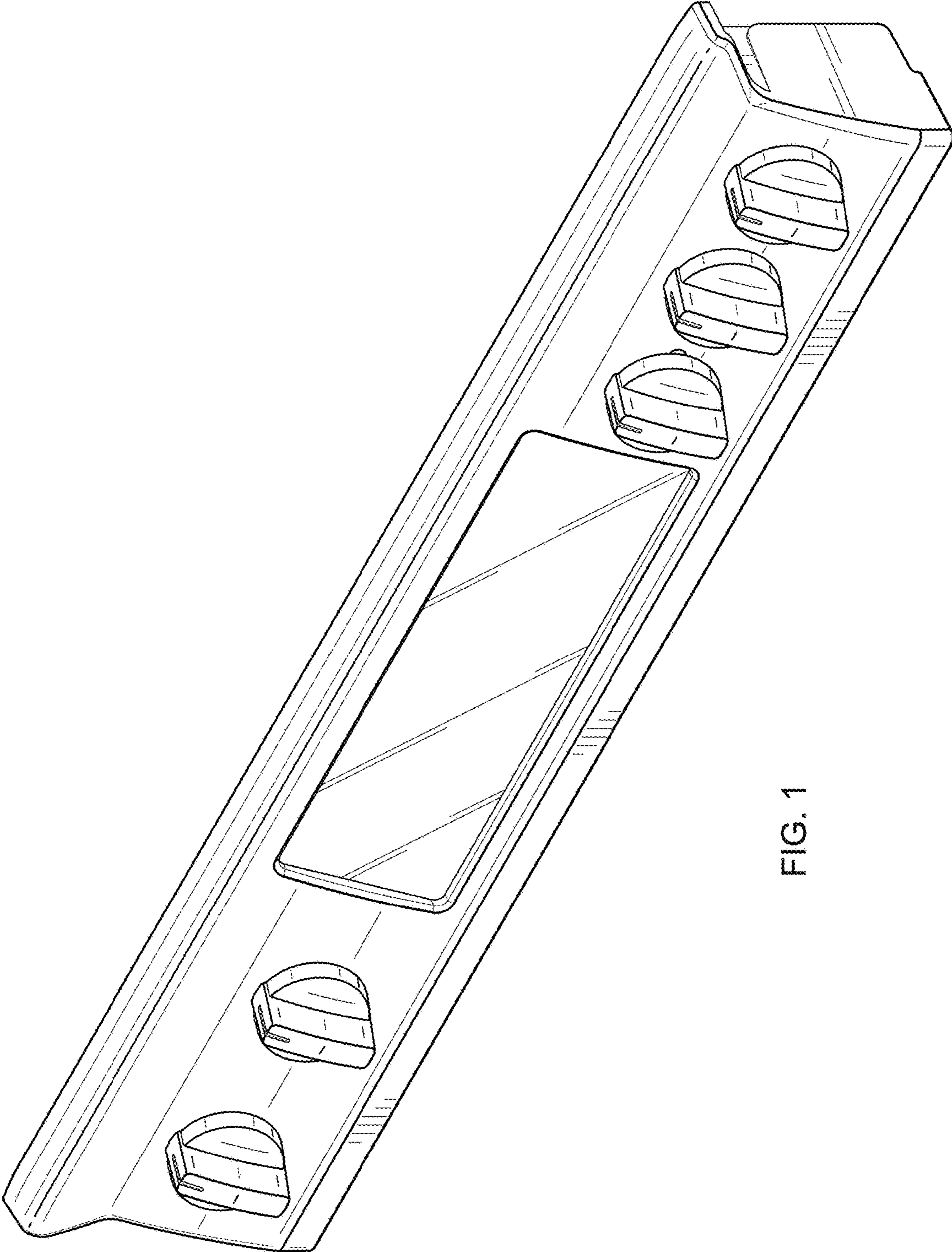


FIG. 1

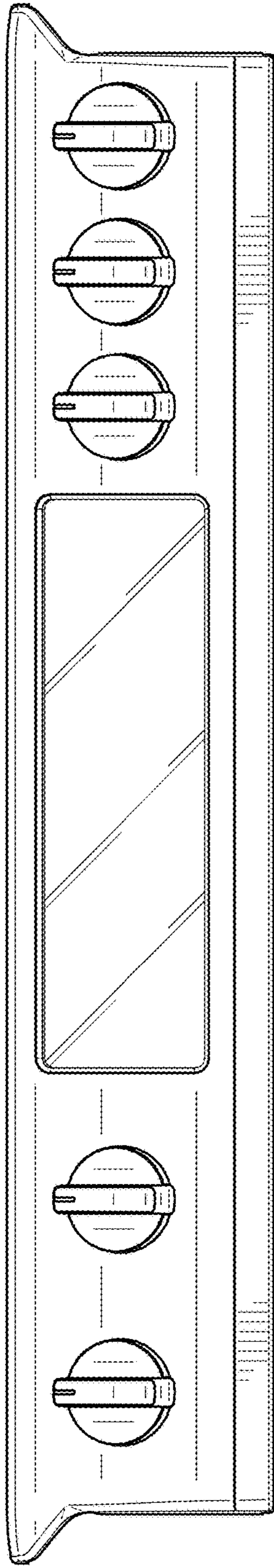


FIG. 2

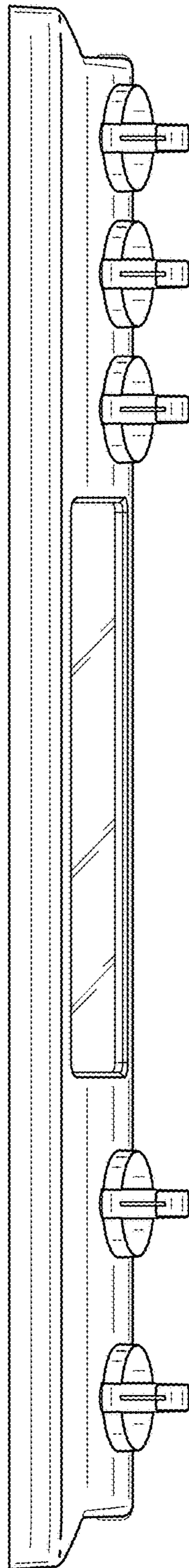


FIG. 3

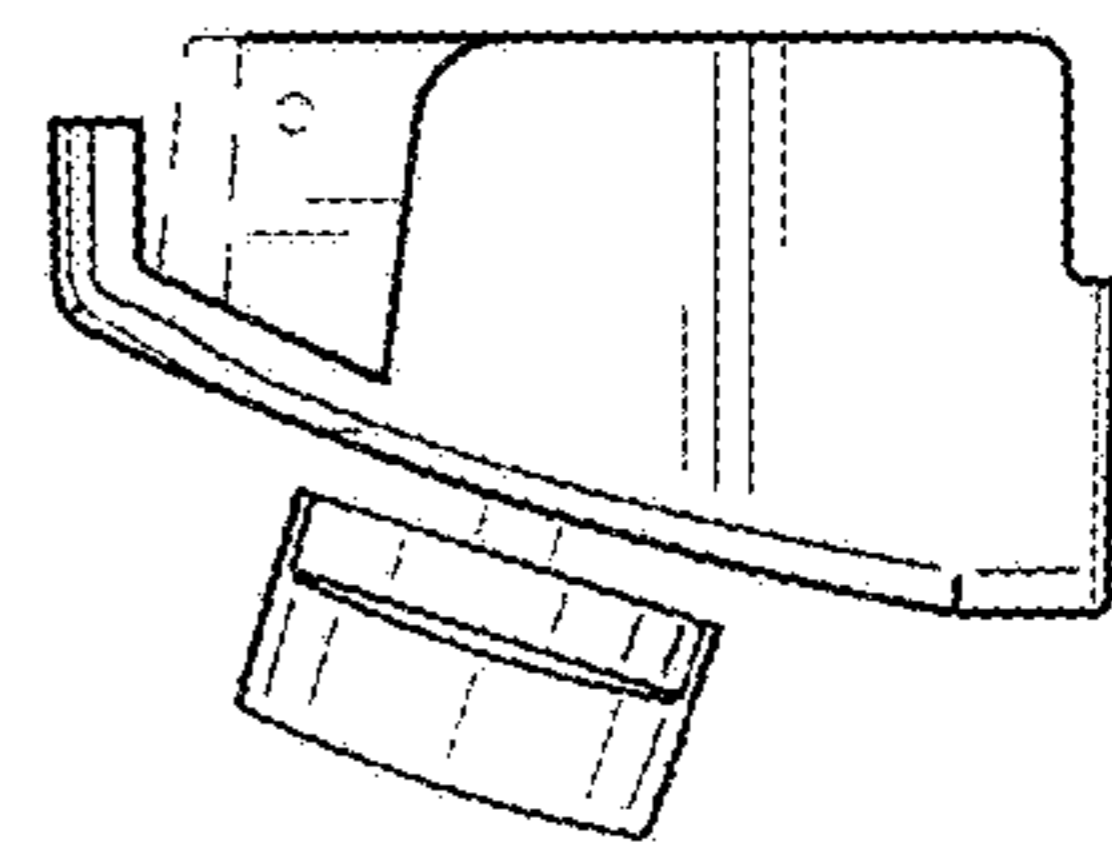


FIG. 4