



US00D854884S

(12) **United States Design Patent** (10) **Patent No.:** **US D854,884 S**
Josefsson et al. (45) **Date of Patent:** **** Jul. 30, 2019**

(54) **TEA STRAINER**
(71) Applicant: **Inembe AB**, Ytterby (SE)
(72) Inventors: **Andreas Josefsson**, Ytterby (SE); **Elin Thysell**, Umeå (SE)
(73) Assignee: **Inember AB**, Ytterby (SE)
(**) Term: **15 Years**

D713,218 S * 9/2014 Chalfant, Jr. D7/678
D730,688 S * 6/2015 Teng D7/399
D790,932 S * 7/2017 Hartshorn D7/678
D798,676 S * 10/2017 McGuyer D7/678
D799,283 S * 10/2017 McGuyer D7/678
9,814,333 B2 * 11/2017 Vernon A47G 19/16
D812,998 S * 3/2018 Huang D7/678
D821,827 S * 7/2018 O'Halloran D7/678

(21) Appl. No.: **29/633,019**
(22) Filed: **Jan. 11, 2018**

(30) **Foreign Application Priority Data**

Sep. 15, 2017 (EM) 004356061
(51) **LOC (11) Cl.** **07-99**
(52) **U.S. Cl.**
USPC **D7/400**
(58) **Field of Classification Search**
USPC D7/399, 400, 368, 667, 665, 666, 678,
D7/213, 693
CPC .. A47J 17/00; A47J 17/02; A47J 17/04; A47J
31/00; A47J 31/06; A47J 31/44; A47G
19/16

See application file for complete search history.

(56) **References Cited**

U.S. PATENT DOCUMENTS

D259,534 S * 6/1981 Daenen D7/678
D378,336 S * 3/1997 Pedrini D7/678
7,077,054 B1 * 7/2006 Hurlock A47G 19/16
210/465
D604,124 S * 11/2009 Smith D7/678
8,701,550 B2 * 4/2014 Teng A47J 31/0636
99/323

OTHER PUBLICATIONS

Pipe Tea Infuser | posted at Amazon.com, posted on Mar. 12, 2018, © 1996-2018 Amazon.com, [online], [site visited Nov. 6, 2018]. Available from Internet, <URL: <https://www.amazon.com/Funnytoday365-Stainless-Strainer-Infuser-Drinkware/dp/B07BCZ2Z71/>> Year: 2018.*

* cited by examiner

Primary Examiner — Derrick E Holland

Assistant Examiner — Andrew Kerr

(74) *Attorney, Agent, or Firm* — Nelson Mullins Riley & Scarborough, LLP

(57) **CLAIM**

The ornamental design for a tea strainer, substantially as shown and described.

DESCRIPTION

FIG. 1 is a perspective view of a new, original, and ornamental design of a tea strainer in accordance with the present invention;

FIG. 2 is a top plan view thereof;

FIG. 3 is a bottom plan view thereof;

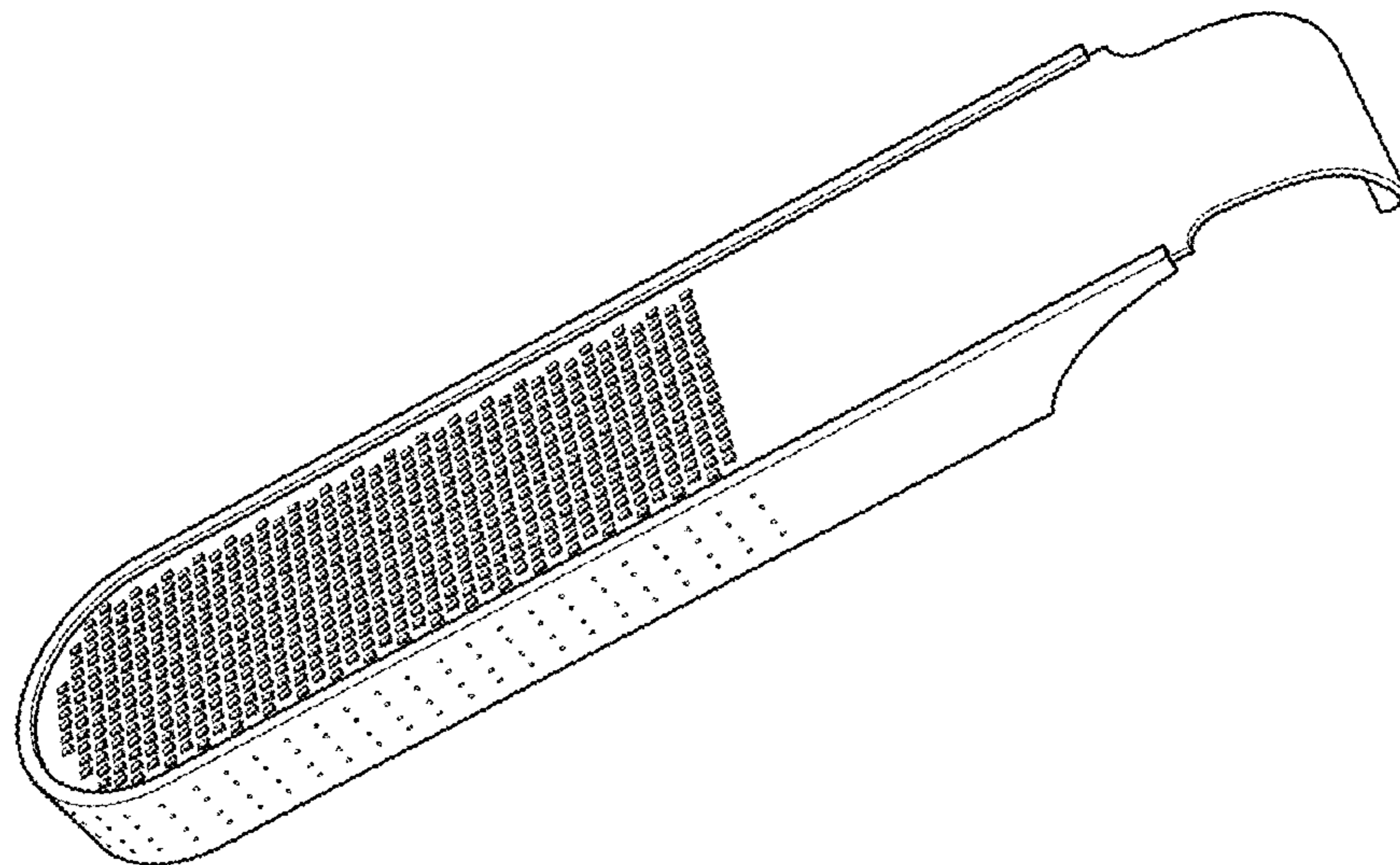
FIG. 4 is a right side elevation view thereof;

FIG. 5 is a left side elevation view thereof;

FIG. 6 is an enlarged back side elevation view thereof; and,

FIG. 7 is an enlarged front side elevation view thereof.

1 Claim, 7 Drawing Sheets



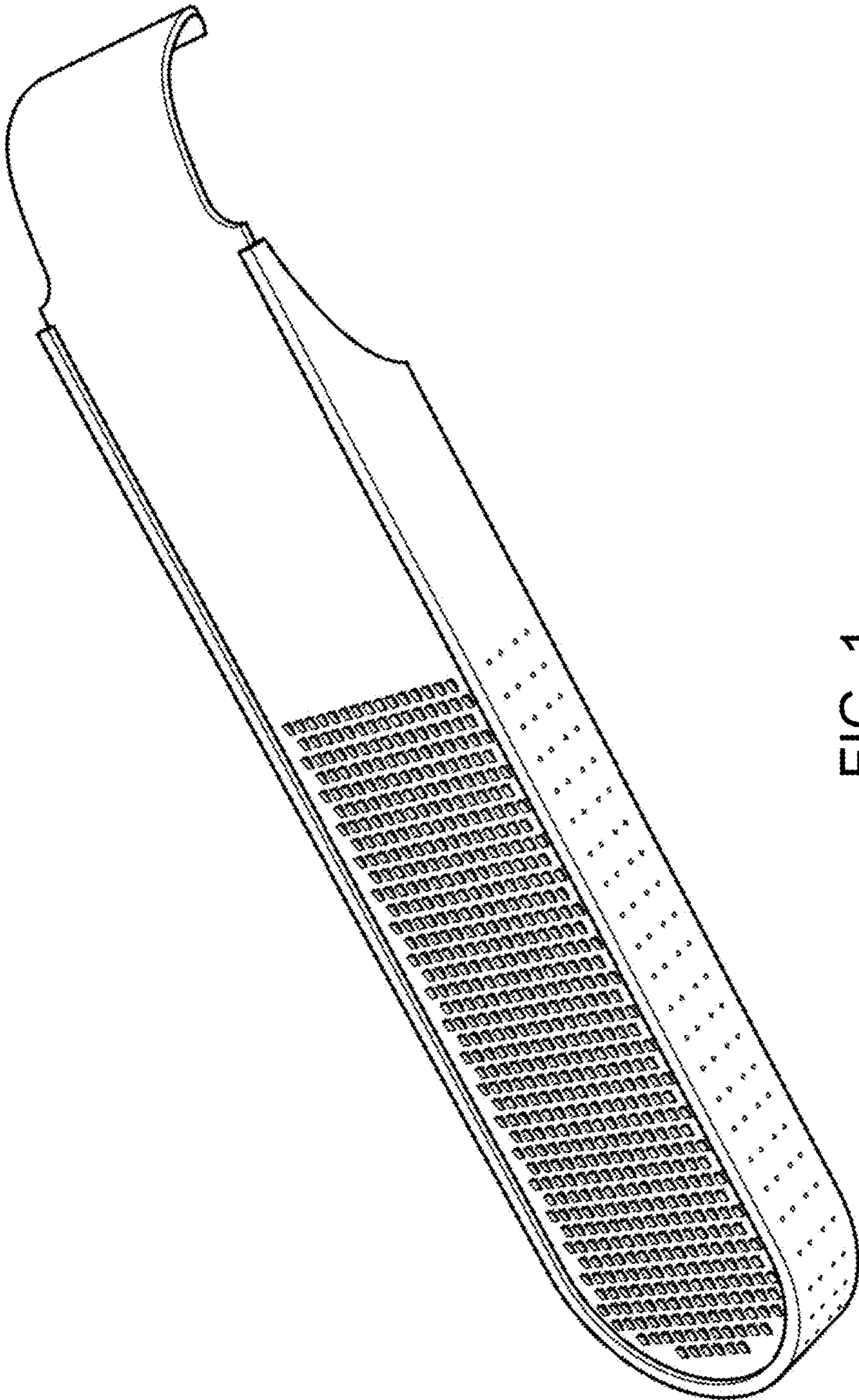


FIG. 1

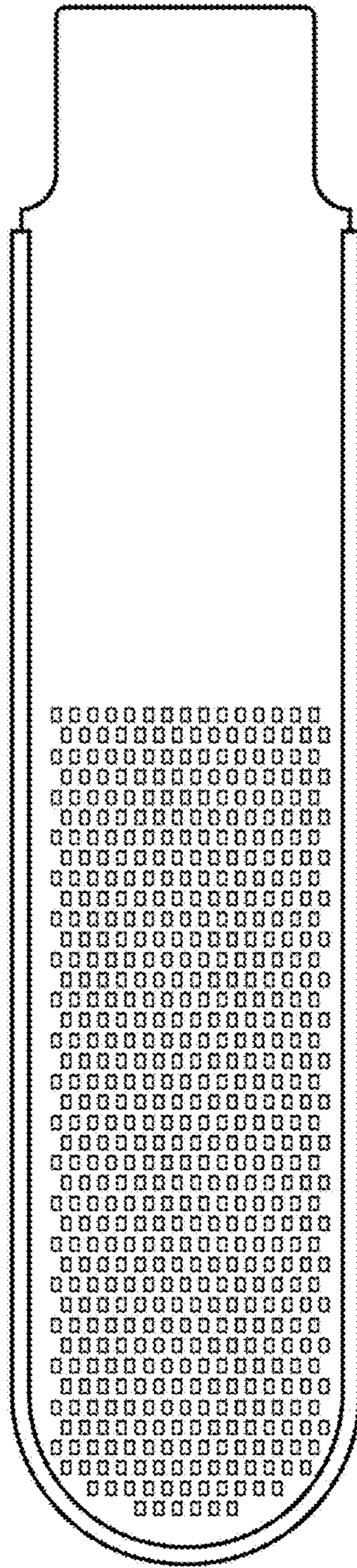


FIG. 2

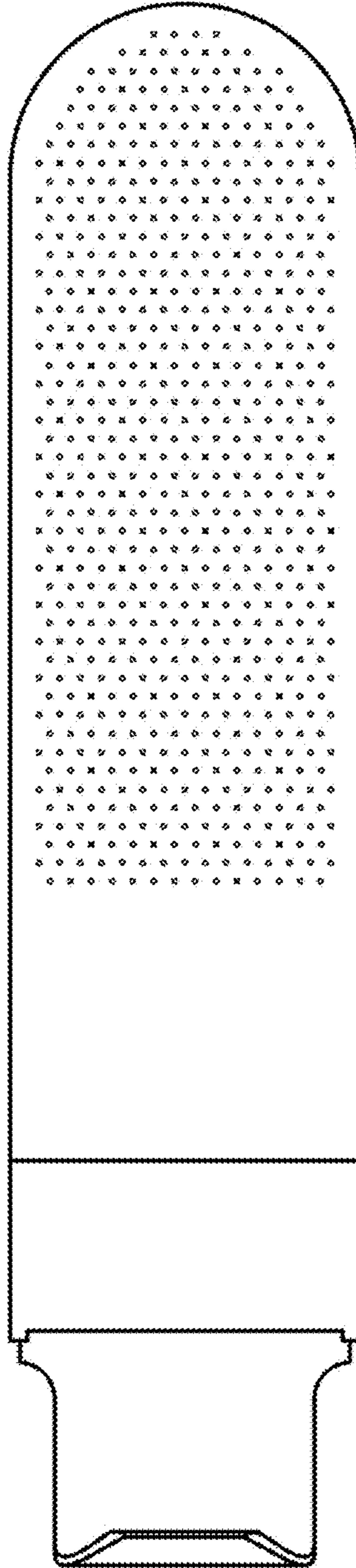


FIG. 3

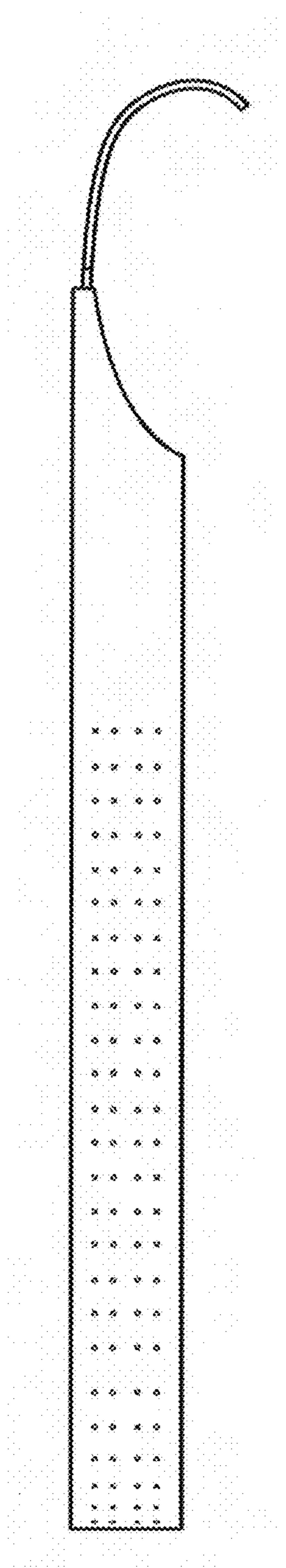


FIG. 4

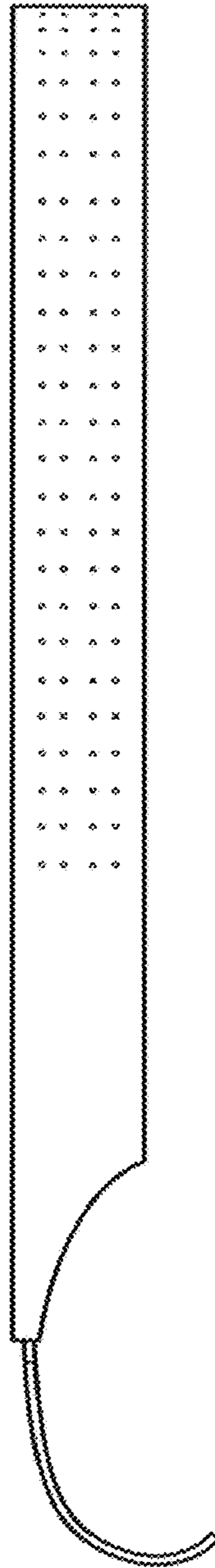


FIG. 5

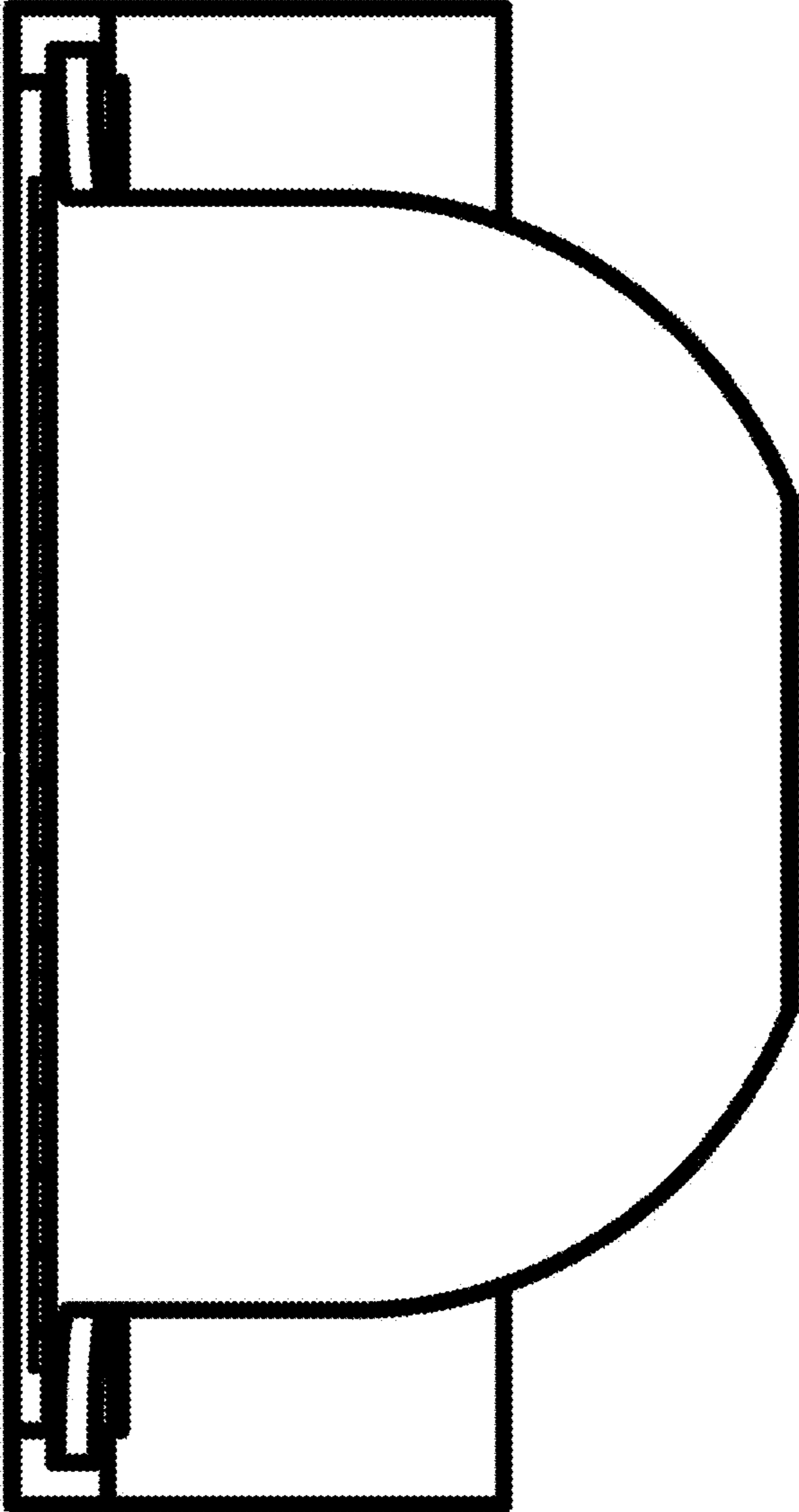


FIG. 6

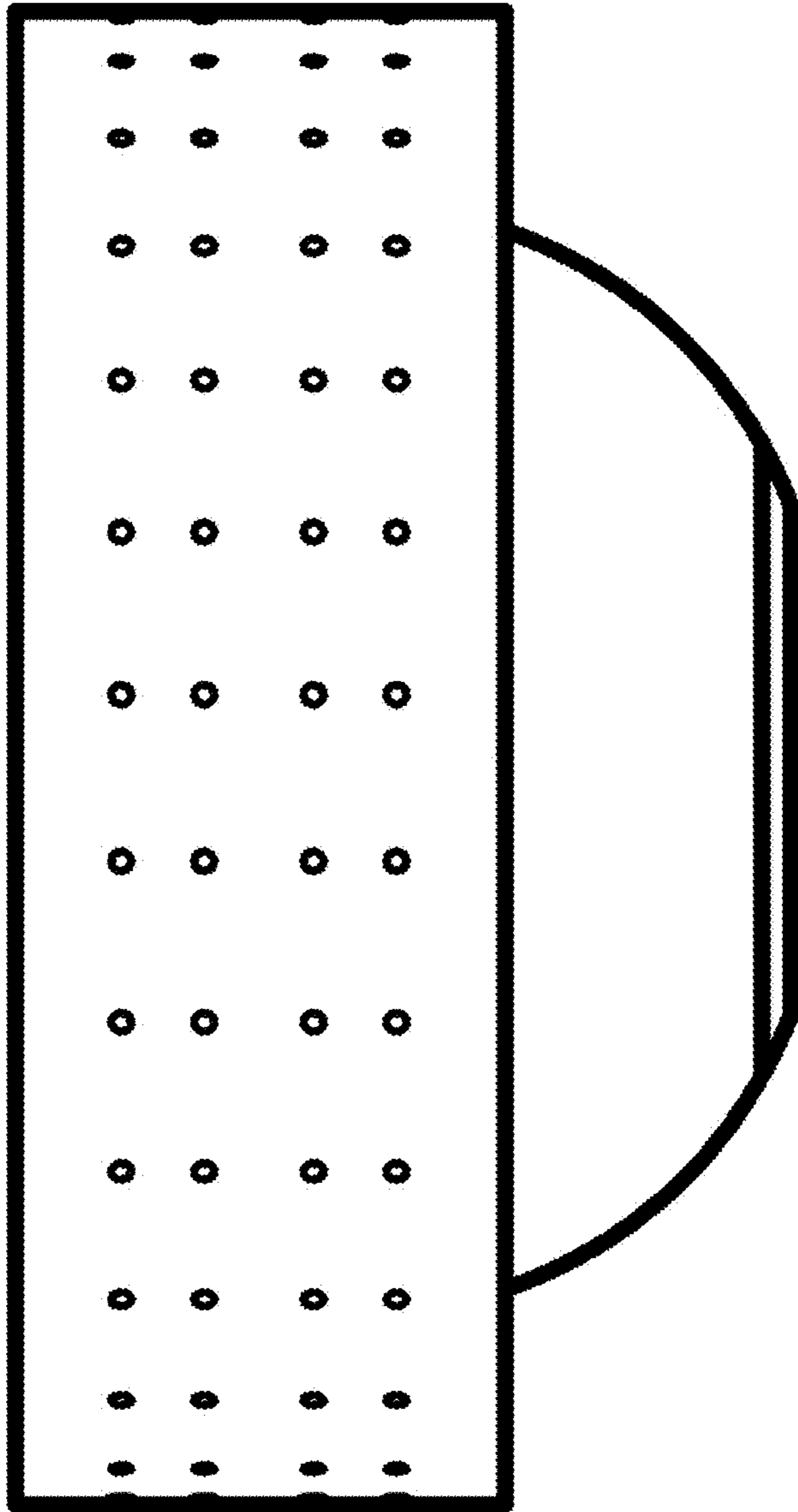


FIG. 7

UNITED STATES PATENT AND TRADEMARK OFFICE
CERTIFICATE OF CORRECTION

PATENT NO. : D854,884 S
APPLICATION NO. : 29/633019
DATED : July 30, 2019
INVENTOR(S) : Andreas Josefsson and Elin Thysell

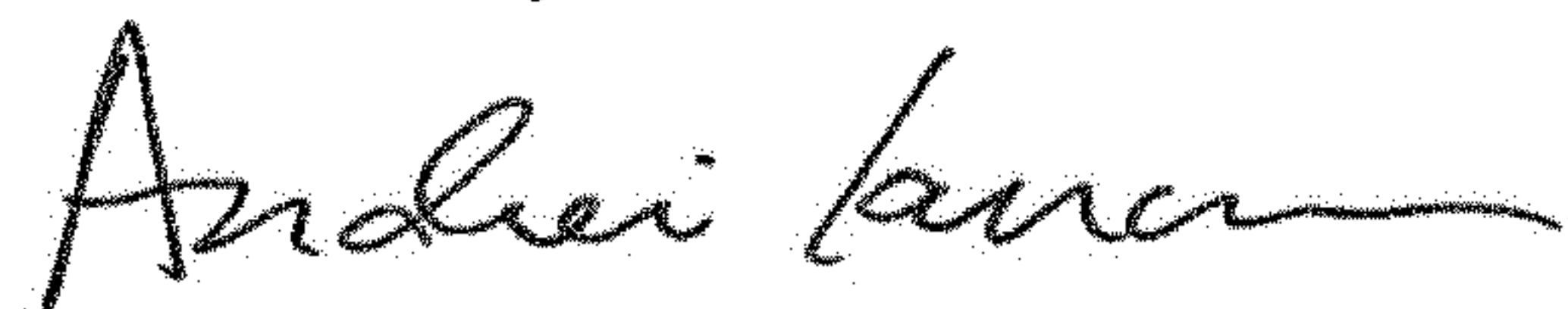
Page 1 of 1

It is certified that error appears in the above-identified patent and that said Letters Patent is hereby corrected as shown below:

On the Title Page

(71) Applicant, please delete the name "Inembe AB" and replace with the name --Inember AB--.

Signed and Sealed this
Tenth Day of December, 2019



Andrei Iancu
Director of the United States Patent and Trademark Office