



US00D854883S

(12) **United States Design Patent** (10) **Patent No.:** **US D854,883 S**  
**Josefsson et al.** (45) **Date of Patent:** **\*\* Jul. 30, 2019**

(54) **TEA STRAINER**  
(71) Applicant: **Inember AB**, Ytterby (SE)  
(72) Inventors: **Andreas Josefsson**, Ytterby (SE); **Elin Thysell**, Umeå (SE)  
(73) Assignee: **Inember AB**, Ytterby (SE)  
(\*\*) Term: **15 Years**

D439,799 S \* 4/2001 Kwok ..... D7/400  
D440,115 S \* 4/2001 Kennedy, III ..... D7/400  
7,077,054 B1 \* 7/2006 Hurlock ..... A47G 19/16  
210/465  
D614,432 S \* 4/2010 Liao ..... D7/300  
D746,106 S \* 12/2015 Chan ..... D7/399  
9,814,333 B2 \* 11/2017 Vernon ..... A47G 19/16  
D817,118 S \* 5/2018 Chang ..... D7/667  
D818,313 S \* 5/2018 Joseph ..... D7/400

(21) Appl. No.: **29/633,015**  
(22) Filed: **Jan. 11, 2018**  
(30) **Foreign Application Priority Data**

Sep. 15, 2017 (EM) ..... 004356061

(51) **LOC (11) Cl.** ..... **07-99**  
(52) **U.S. Cl.**  
USPC ..... **D7/400**

(58) **Field of Classification Search**  
USPC ..... D7/399, 400, 368, 667, 665, 666, 678,  
D7/213, 693  
CPC .. A47J 17/00; A47J 17/02; A47J 17/04; A47J  
31/00; A47J 31/06; A47J 31/44; A47G  
19/16

See application file for complete search history.

(56) **References Cited**

**U.S. PATENT DOCUMENTS**

167,769 A \* 9/1875 Vernon ..... B01F 1/0027  
422/266  
177,712 A \* 5/1876 Harlow ..... B01F 1/0027  
422/266  
1,648,906 A \* 11/1927 Lubrano ..... A47G 19/16  
294/26.5  
D245,565 S \* 8/1977 Steiner ..... D7/667  
D439,470 S \* 3/2001 Durbin ..... D7/400

**OTHER PUBLICATIONS**

HIC Infuser | posted at Amazon.com, posted on Jun. 6, 2006 ©  
1996-2018 Amazon.com, [online], [site visited Nov. 1, 2018].  
Available from Internet, <URL: <https://www.amazon.com/dp/B000I1ZZ24/>> (Year: 2006).\*

\* cited by examiner

*Primary Examiner* — Derrick E Holland  
*Assistant Examiner* — Andrew Kerr

(74) *Attorney, Agent, or Firm* — Nelson Mullins Riley &  
Scarborough, LLP

(57) **CLAIM**

The ornamental design for a tea strainer, substantially as  
shown and described.

**DESCRIPTION**

FIG. 1 is a perspective view of a new, original, and orna-  
mental design of a tea strainer in accordance with the present  
invention;

FIG. 2 is a top plan view thereof;

FIG. 3 is a bottom plan view thereof;

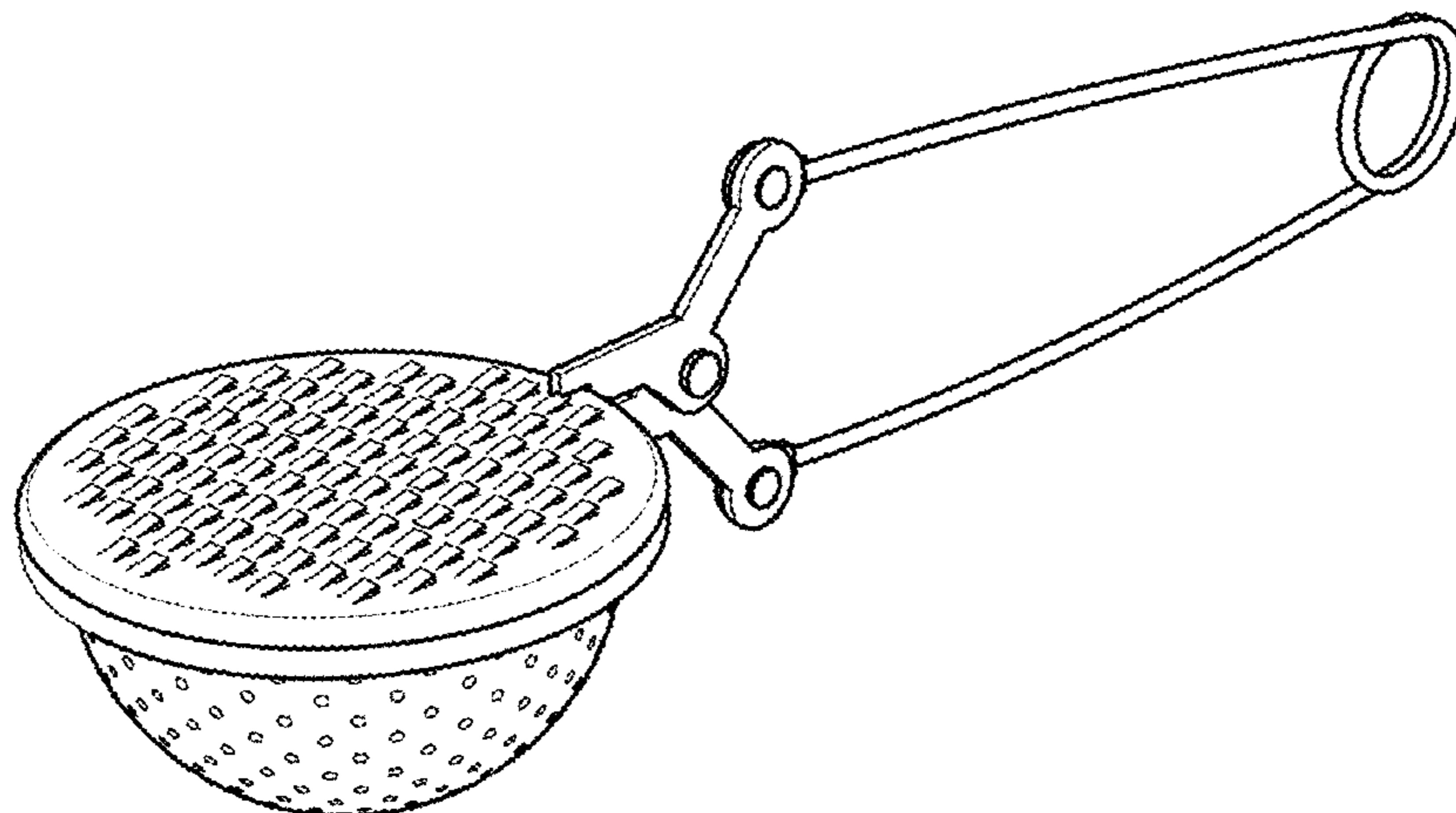
FIG. 4 is a left side elevation view thereof;

FIG. 5 is a right side elevation view thereof;

FIG. 6 is an enlarged back side elevation view thereof; and,

FIG. 7 is an enlarged front side elevation view thereof.

**1 Claim, 7 Drawing Sheets**



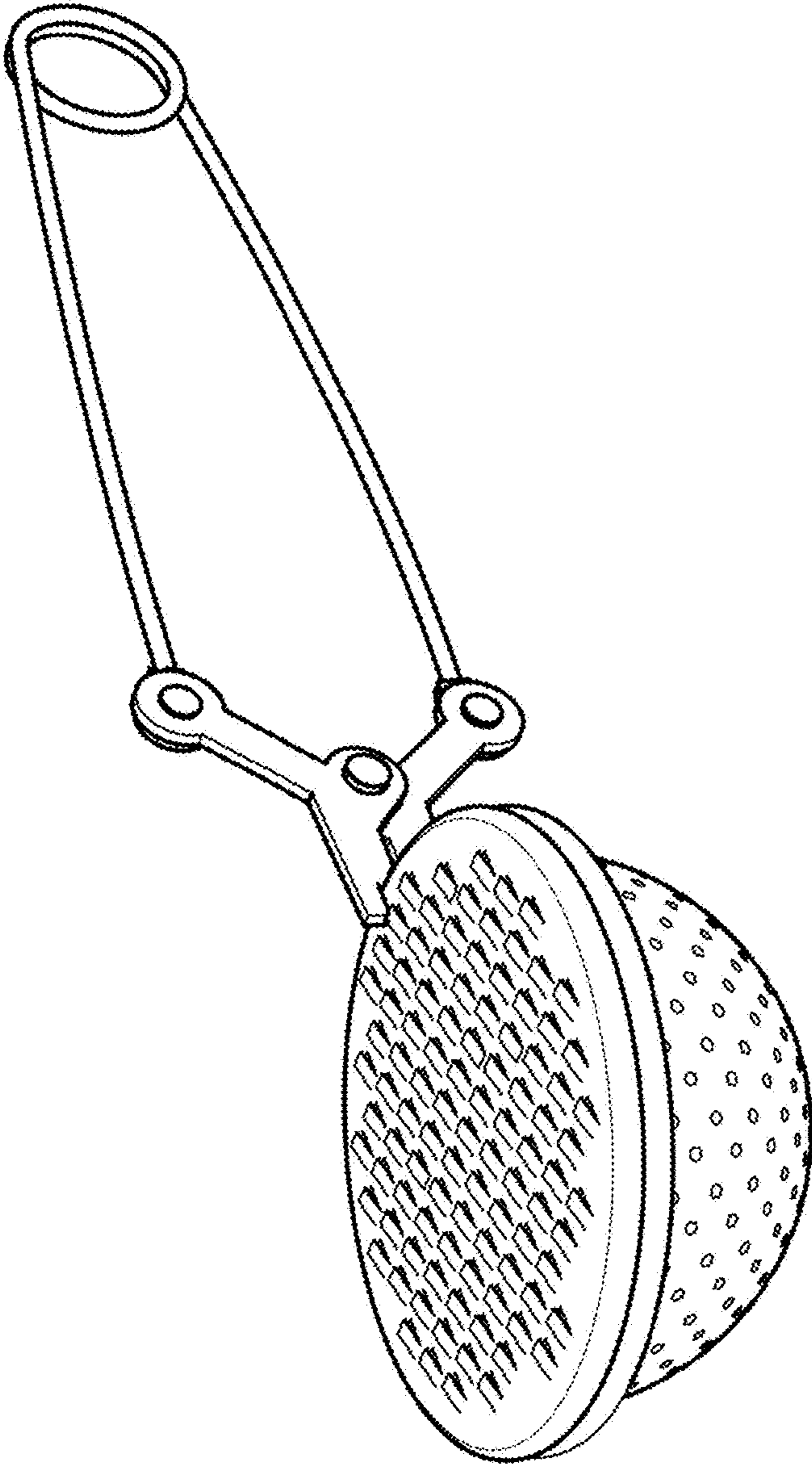


FIG. 1

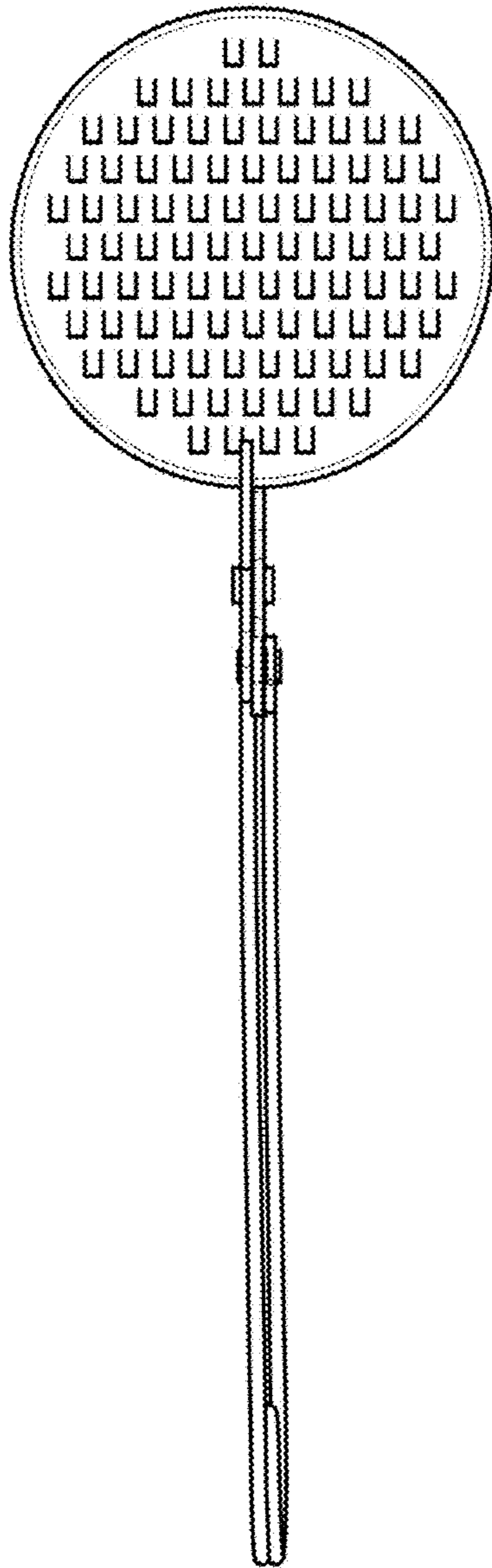


FIG. 2

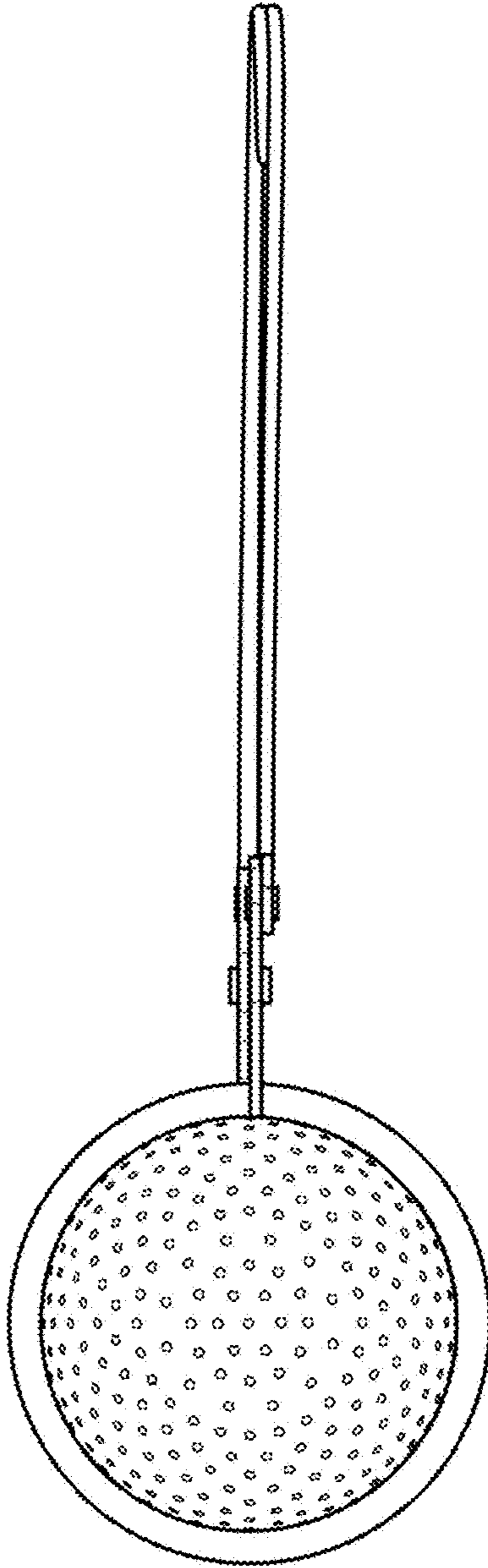


FIG. 3

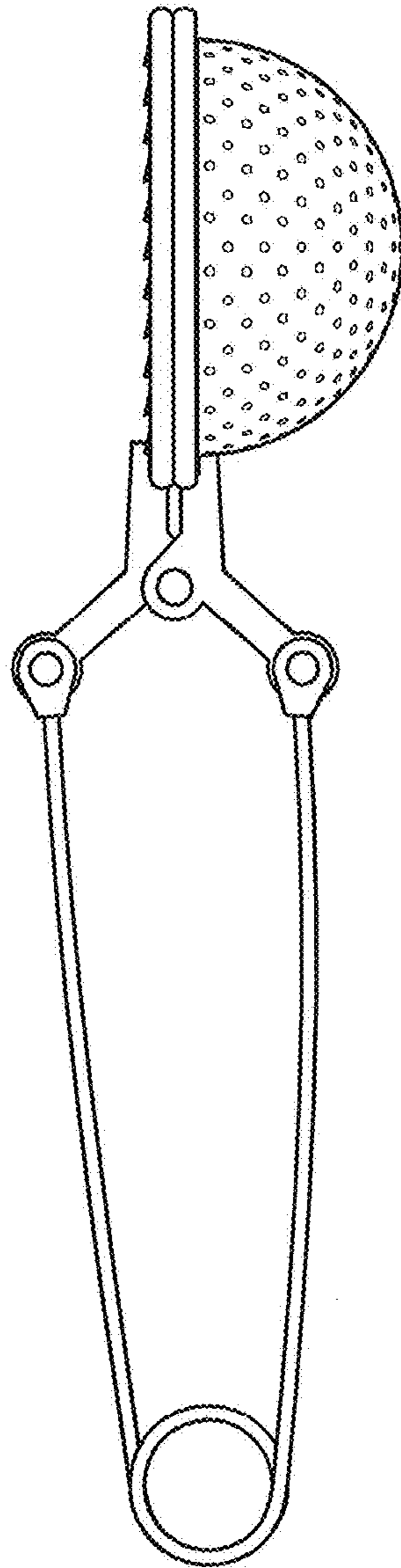


FIG. 4

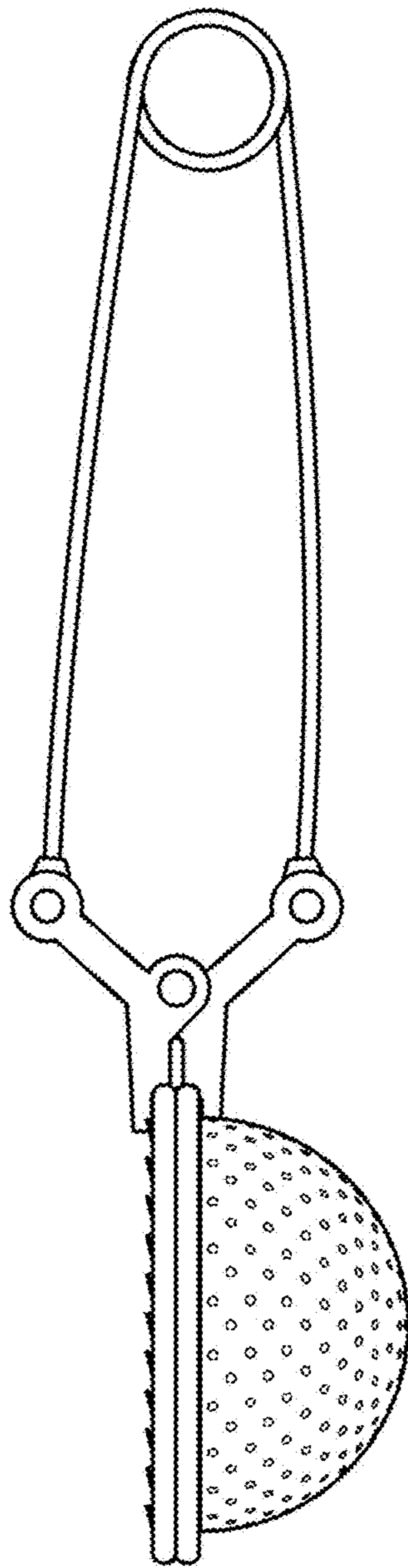


FIG. 5

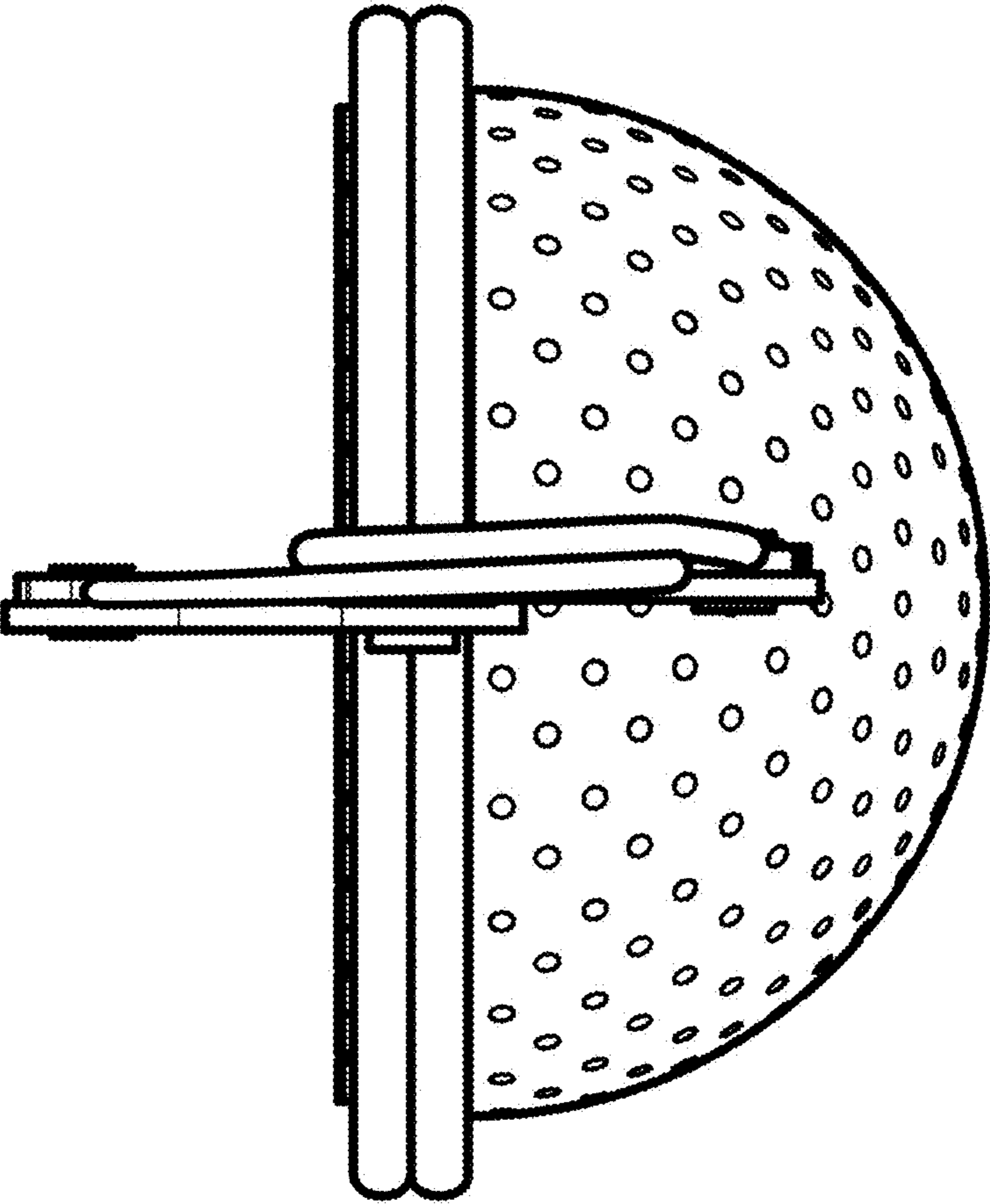


FIG. 6

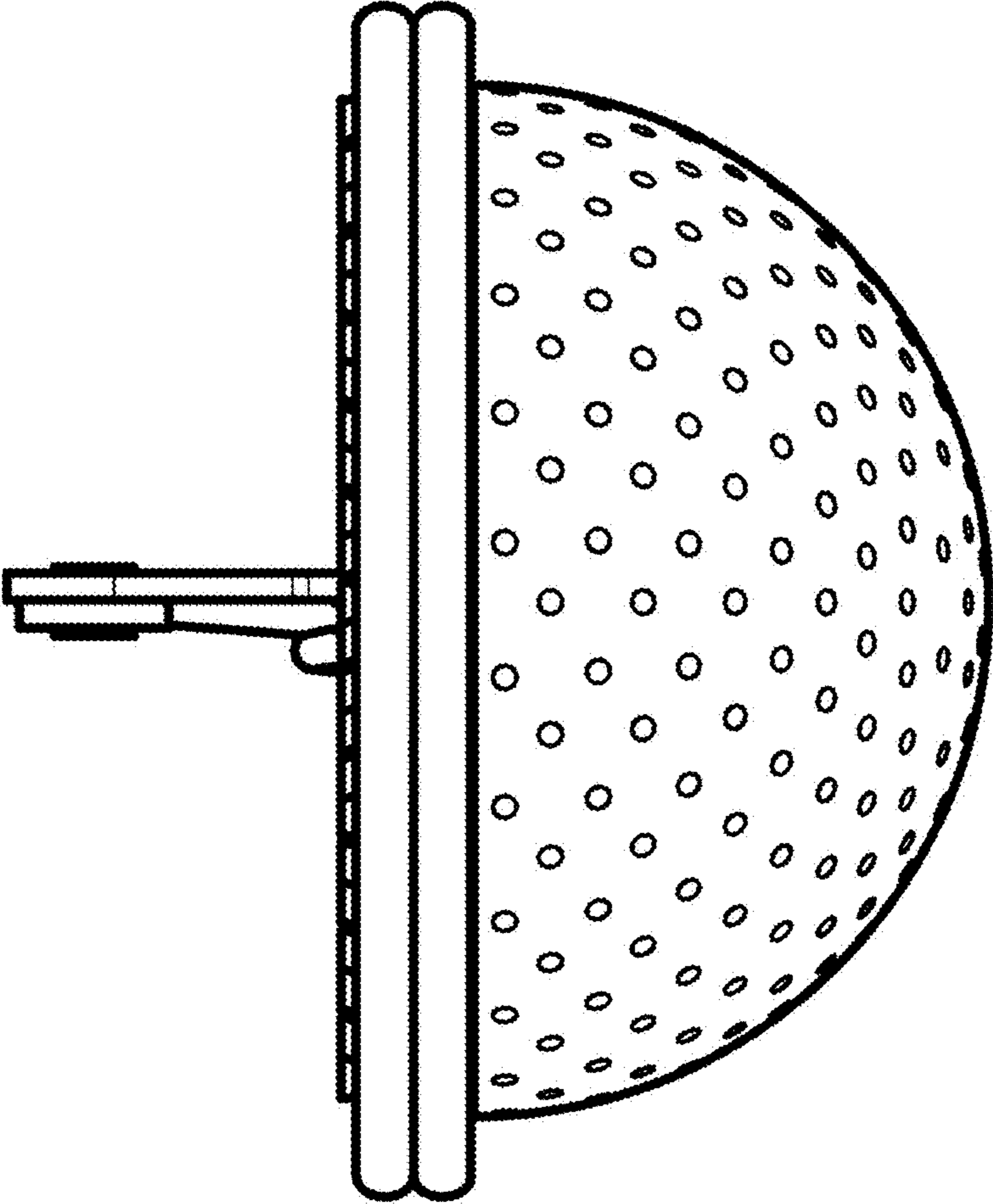


FIG. 7