



US00D854877S

(12) **United States Design Patent**
Kohlendorfer

(10) **Patent No.:** **US D854,877 S**

(45) **Date of Patent:** **** Jul. 30, 2019**

(54) **CLOSURE FOR CANS**

(71) Applicant: **Helmut Kohlendorfer**, Kapfenberg
(AT)

(72) Inventor: **Helmut Kohlendorfer**, Kapfenberg
(AT)

(**) Term: **15 Years**

(21) Appl. No.: **29/623,187**

(22) Filed: **Oct. 23, 2017**

(30) **Foreign Application Priority Data**

Apr. 24, 2017 (EM) 003870674-0001

(51) **LOC (11) Cl.** **07-02**

(52) **U.S. Cl.**
USPC **D7/391**

(58) **Field of Classification Search**
USPC D7/391, 392, 392.1, 393, 397, 510, 629;
D9/414, 424-432, 435, 446, 447, 449,
D9/451-452
CPC A47J 36/027; A47J 36/06; A47J 37/10;
A47J 37/101; B65D 21/0209; B65D
43/00; B65D 43/02; B65D 43/022; B65D
43/161; B65D 43/162; B65D 45/00;
B65D 45/16; B65D 45/18; B65D 51/16;
B65D 51/1683; B65D 51/1688; B65D
51/1694; B65F 1/1615

See application file for complete search history.

(56) **References Cited**

U.S. PATENT DOCUMENTS

D364,810 S * 12/1995 Meisner D9/446
D614,488 S * 4/2010 Kallenbach D9/449

D650,629 S * 12/2011 Gilbert D7/392.1

D693,650 S * 11/2013 De Leo D7/629

8,695,842 B2 * 4/2014 Gonzalez Sanchez

B65D 51/007

215/232

D763,079 S * 8/2016 Sturk D9/447

D776,533 S * 1/2017 Kikel D9/446

D806,465 S * 1/2018 Boroski B65D 51/007

D7/391

D828,723 S * 9/2018 Gauss A47G 23/0266

D7/510

D832,031 S * 10/2018 Washburn B29C 43/021

D7/392.1

2003/0116879 A1 * 6/2003 Mueller B29C 43/021

264/142

2018/0134464 A1 * 5/2018 Battaglia A47G 23/0266

* cited by examiner

Primary Examiner — Ricky Pham

(74) *Attorney, Agent, or Firm* — Henry M. Feiereisen
LLC

(57) **CLAIM**

The ornamental design for a closure for cans, as shown and described.

DESCRIPTION

FIG. 1 is a front right side perspective view of a closure for cans showing my new design;
FIG. 2 is a front elevational view thereof;
FIG. 3 is a rear elevational view thereof;
FIG. 4 is a left side elevational view thereof;
FIG. 5 is a right side elevational view thereof;
FIG. 6 is a top plan view thereof; and,
FIG. 7 is a bottom plan view thereof.

1 Claim, 5 Drawing Sheets

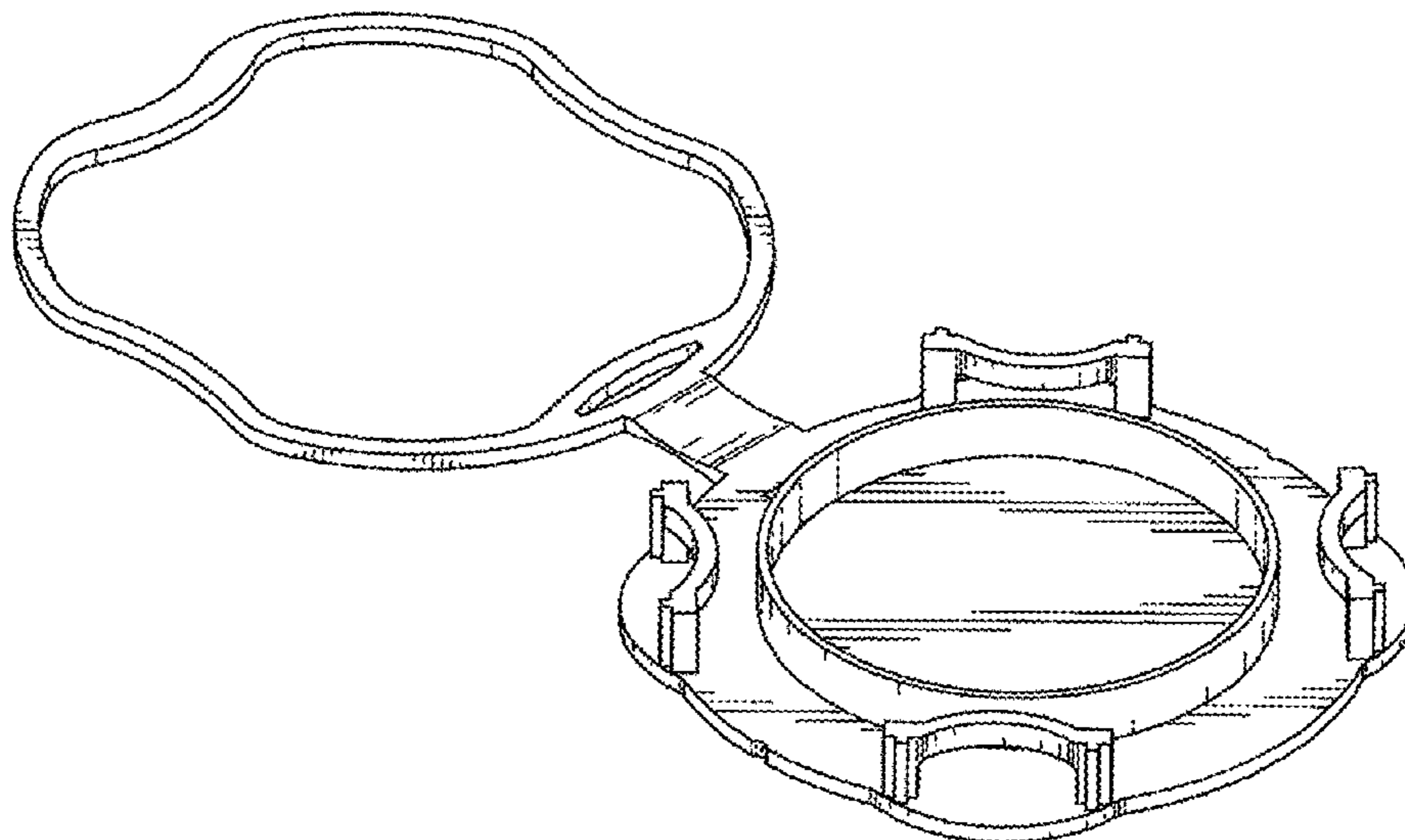


FIG. 1

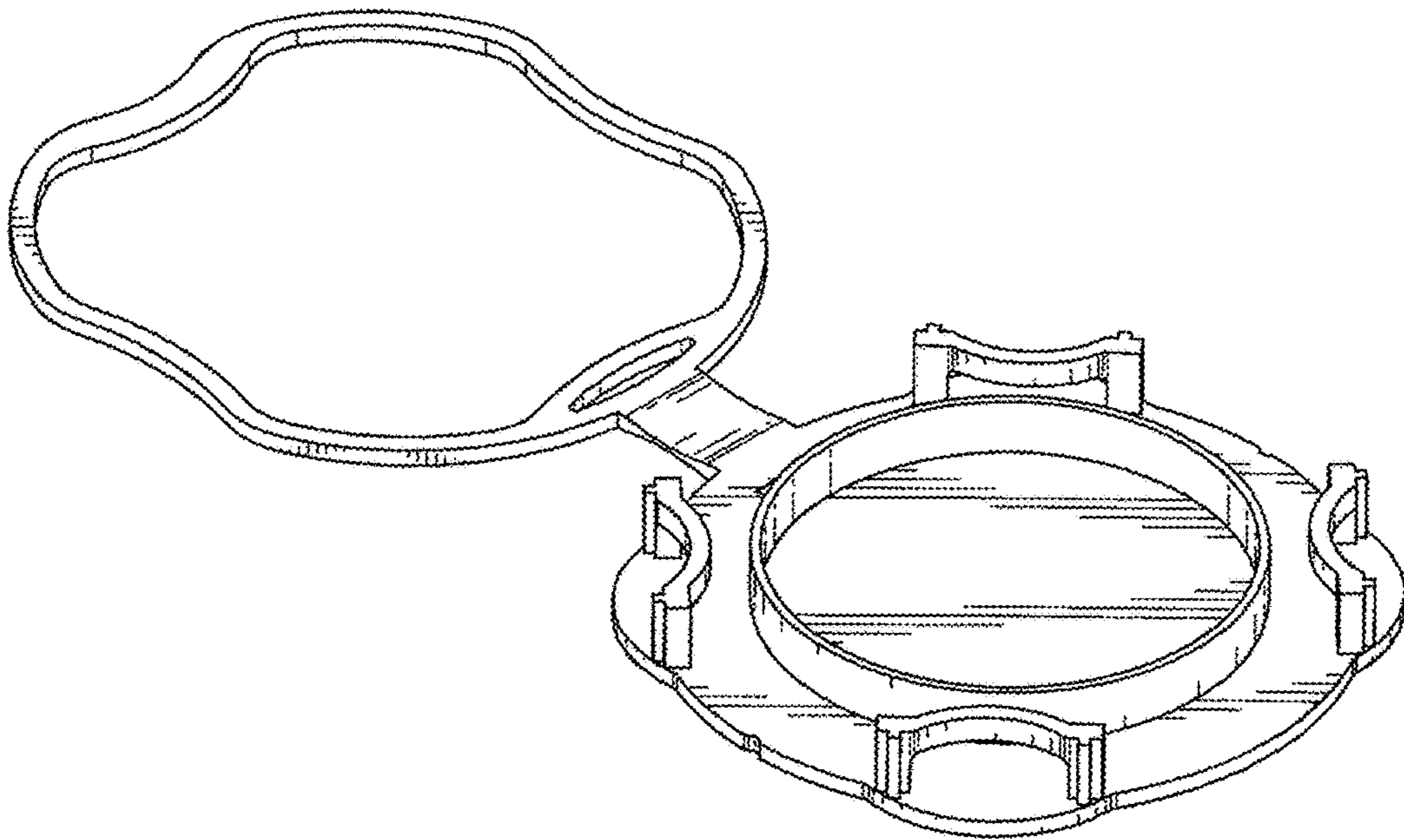


FIG. 2

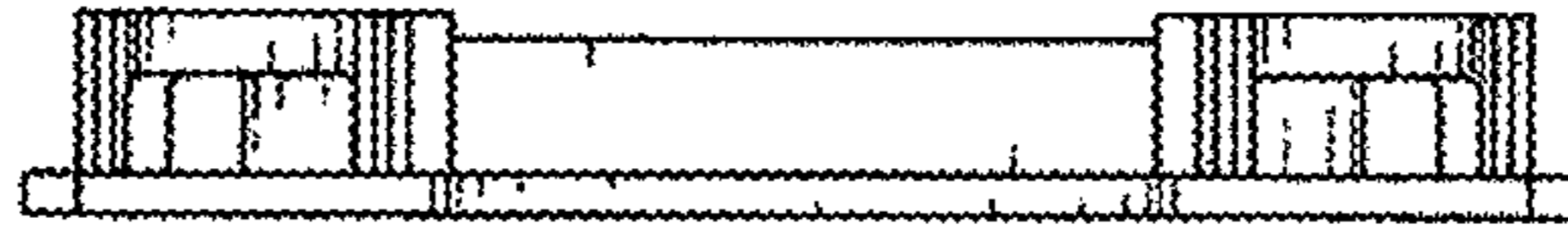


FIG. 3

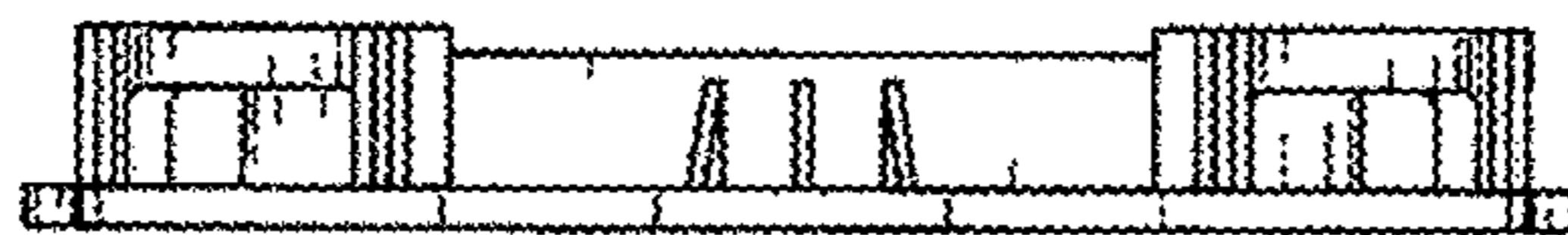


FIG. 4



FIG. 5

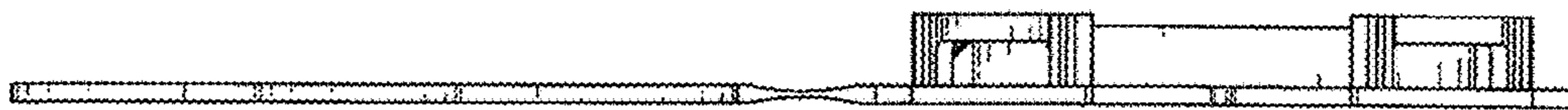


FIG. 6

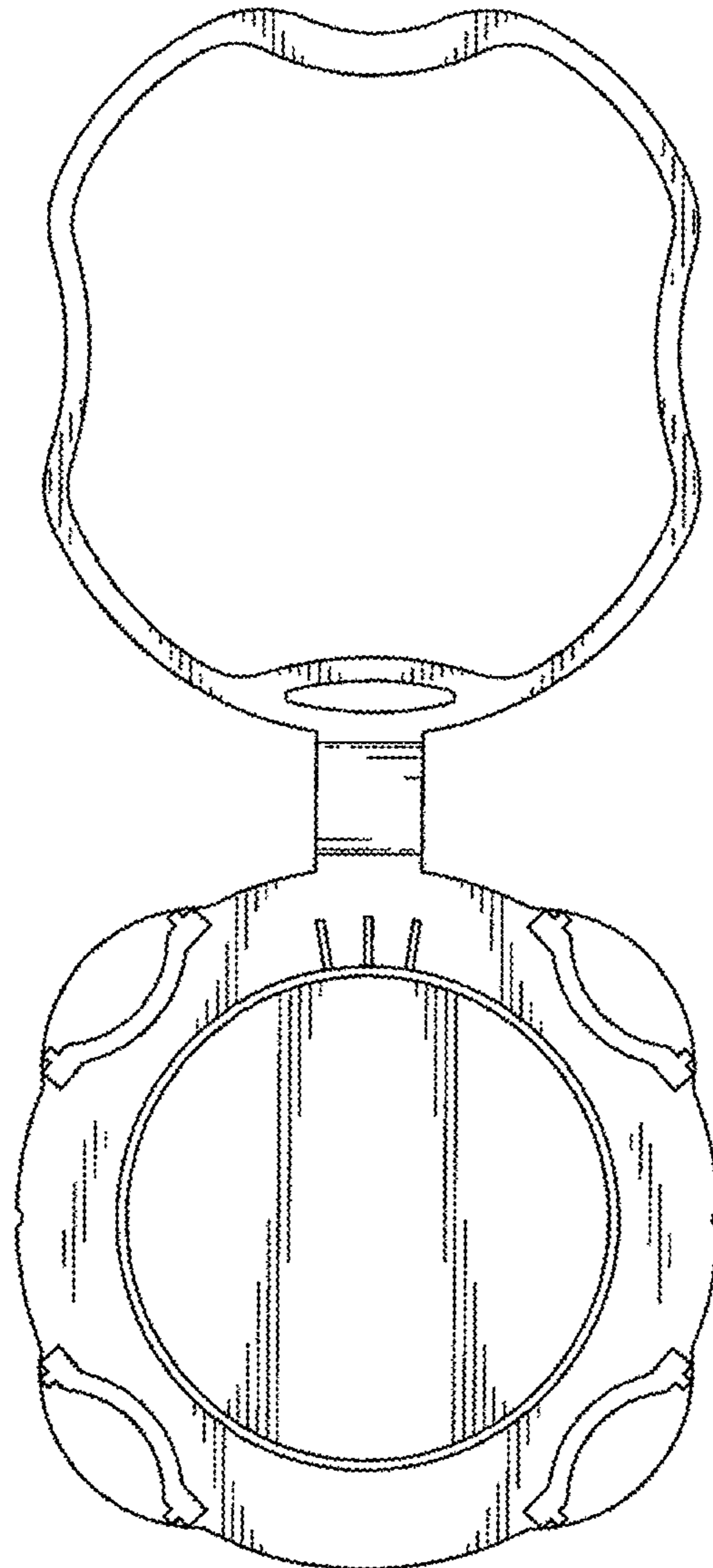


FIG. 7

