



US00D854876S

(12) **United States Design Patent**  
**Zou**

(10) **Patent No.:** **US D854,876 S**  
(45) **Date of Patent:** **\*\* Jul. 30, 2019**

- (54) **THERMOSTAT**
- (71) Applicant: **SHENZHEN KINGLOOYUAN TECHNOLOGY CO., LTD**, Shenzhen (CN)
- (72) Inventor: **Junxiang Zou**, Xupu County (CN)
- (\*\*) Term: **15 Years**
- (21) Appl. No.: **29/687,157**
- (22) Filed: **Apr. 11, 2019**
- (51) **LOC (11) Cl.** ..... **07-02**
- (52) **U.S. Cl.**  
USPC ..... **D7/367; D7/362; D7/363**
- (58) **Field of Classification Search**  
USPC ..... D7/323, 337, 339, 341, 352, 354-355, D7/362-367, 409-411  
CPC ..... A21B 1/06; A21B 1/50; A21B 1/52; A47J 27/10; A47J 37/04; A47J 37/06; A47J 37/015; A47J 37/067; A47J 37/0611; A47J 37/0629; A47J 37/0676; A47J 43/046; F24C 7/06; F24C 7/083; F24C 15/02; F24C 15/166; H05B 3/20; H05B 3/40; H05B 3/74; H05B 3/748; H05B 6/1209; H05B 6/1272  
See application file for complete search history.

- (56) **References Cited**  
U.S. PATENT DOCUMENTS  
4,145,603 A \* 3/1979 Mackay ..... H05B 3/748  
219/387  
D289,847 S 5/1987 Okamoto et al.  
D296,509 S 7/1988 Fuke  
D297,701 S 9/1988 Nakagawa  
D312,747 S \* 12/1990 Keung ..... D7/326  
6,087,637 A \* 7/2000 Fischer ..... H05B 3/74  
219/443.1

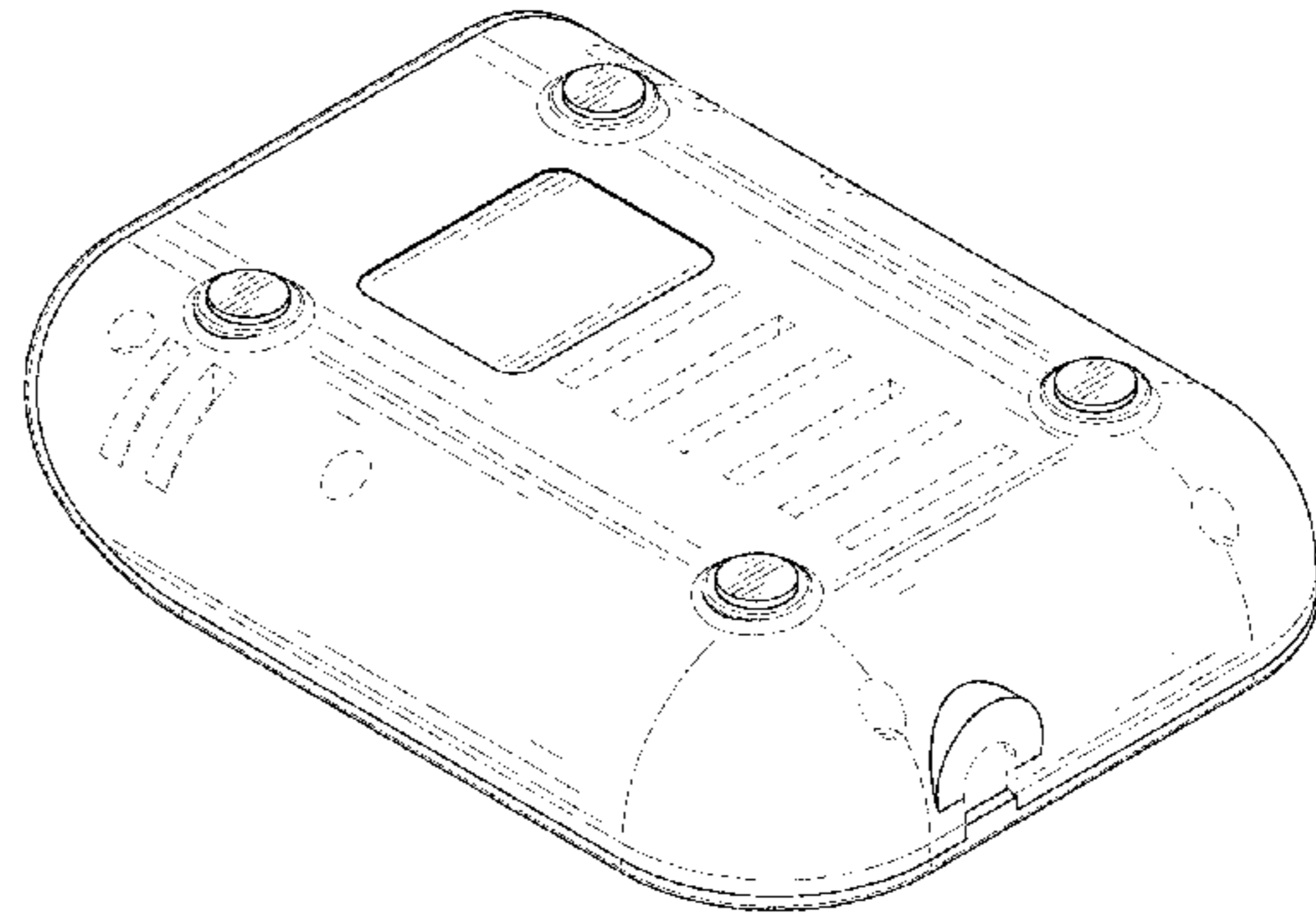
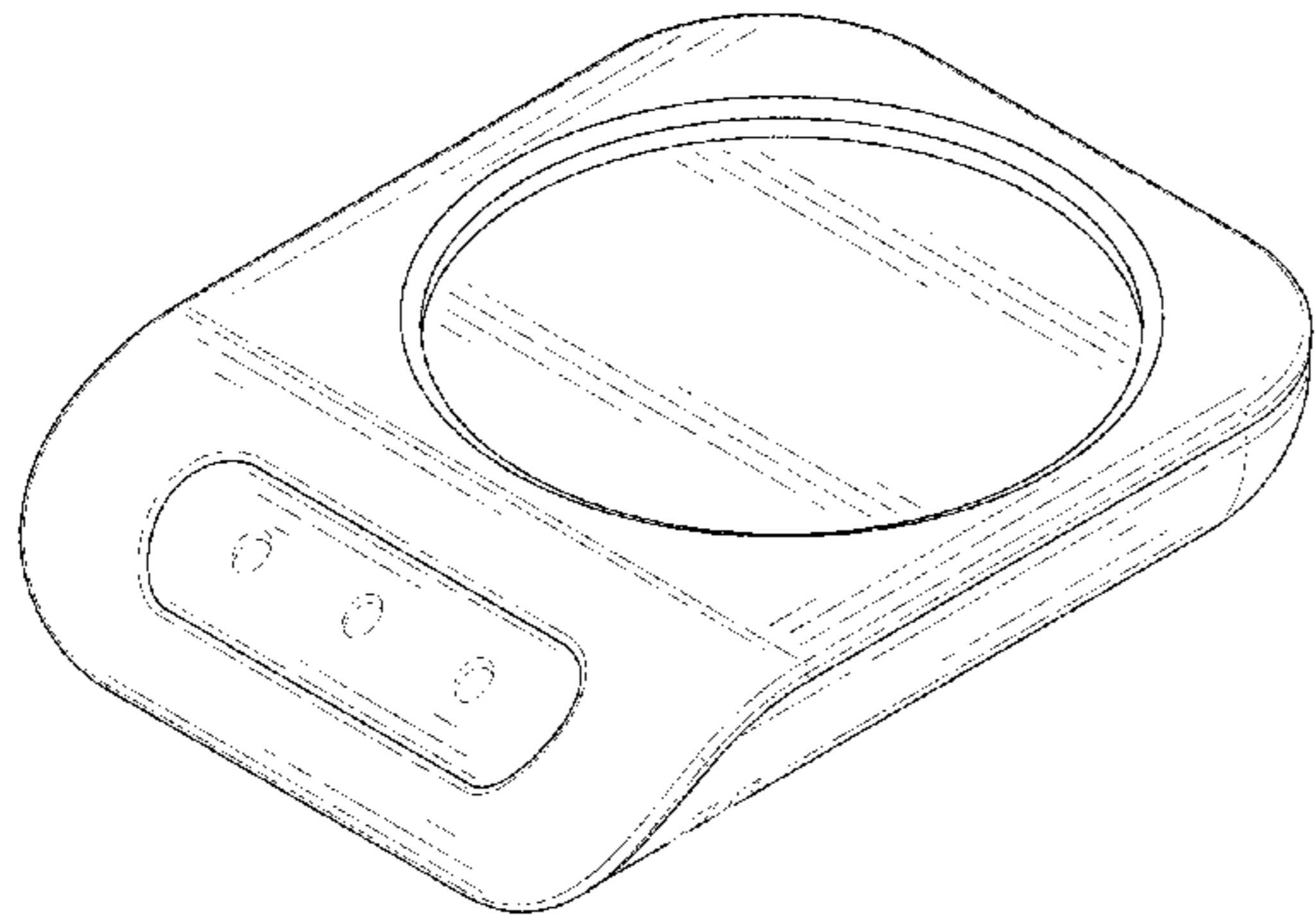
- D501,117 S \* 1/2005 Bassill ..... D7/367
- D580,701 S 11/2008 Wojcik et al.
- D643,674 S \* 8/2011 Lee ..... D7/362
- D698,596 S \* 2/2014 Hundley ..... D7/363
- D790,910 S \* 7/2017 Hosoda ..... H05B 6/1209  
D7/362
- D799,886 S \* 10/2017 Davenport ..... H05B 3/74  
D7/352
- D831,409 S \* 10/2018 Bassill ..... H05B 3/748  
D7/367
- 2002/0027175 A1 \* 3/2002 Capp ..... A47J 43/046  
241/199.12
- 2016/0330798 A1 \* 11/2016 Kamaunu ..... H05B 6/1209
- 2017/0164777 A1 \* 6/2017 Everett, Jr. .... H05B 6/1272
- 2017/0188743 A1 \* 7/2017 Snyder ..... A47J 27/10

\* cited by examiner  
*Primary Examiner* — Ricky Pham  
(74) *Attorney, Agent, or Firm* — W&K IP

(57) **CLAIM**  
The ornamental design for a thermostat, as shown and described.

**DESCRIPTION**  
FIG. 1 is a first perspective view of a thermostat showing my design;  
FIG. 2 is a second perspective view thereof;  
FIG. 3 is a front view thereof;  
FIG. 4 is a back view thereof;  
FIG. 5 is a left side view thereof;  
FIG. 6 is a right side view thereof;  
FIG. 7 is a top view thereof; and,  
FIG. 8 is a bottom view thereof.  
The broken lines shown in the drawings depict portions of the thermostat in which the design is embodied that form no part of the claimed design.

**1 Claim, 8 Drawing Sheets**



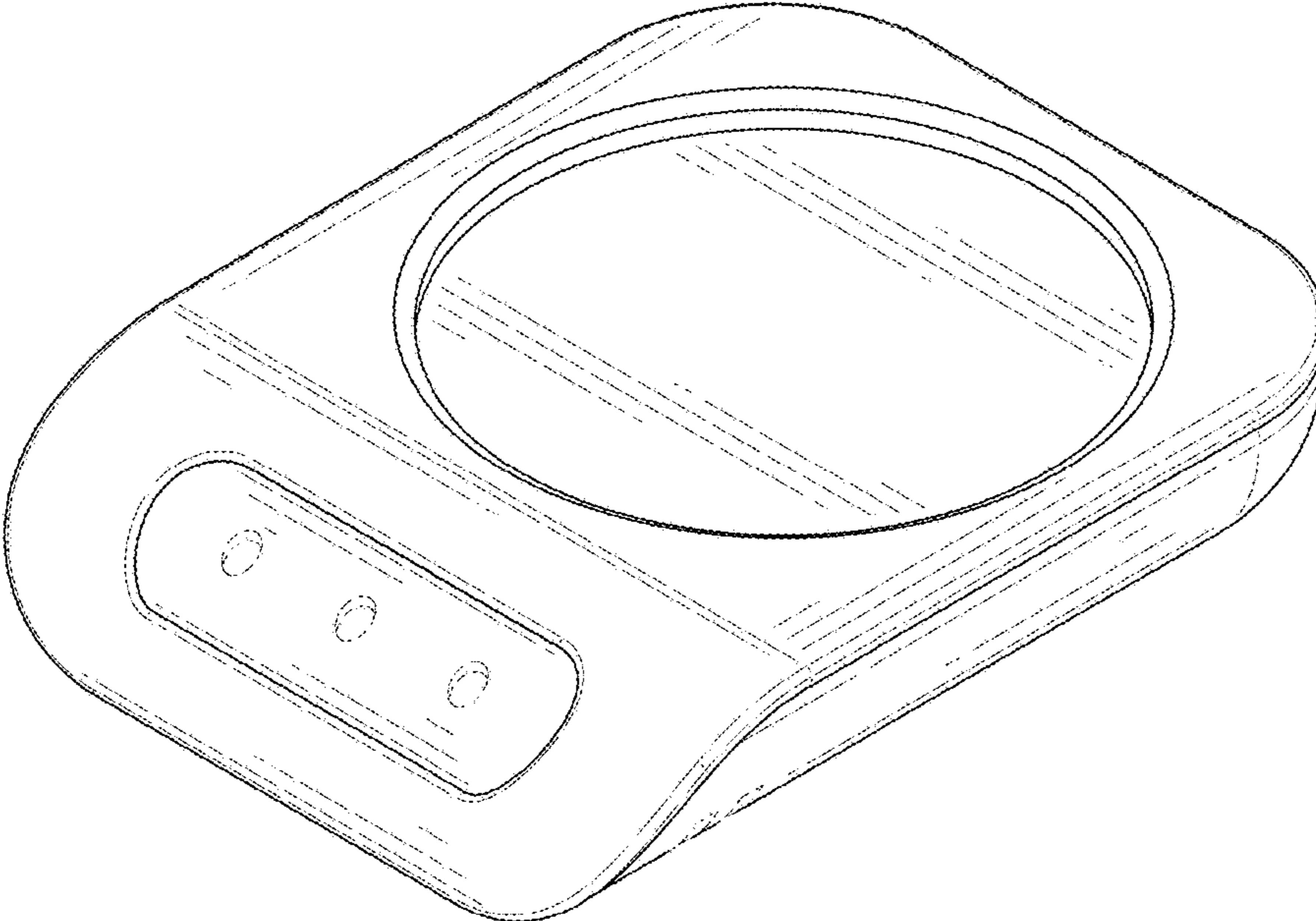


FIG. 1

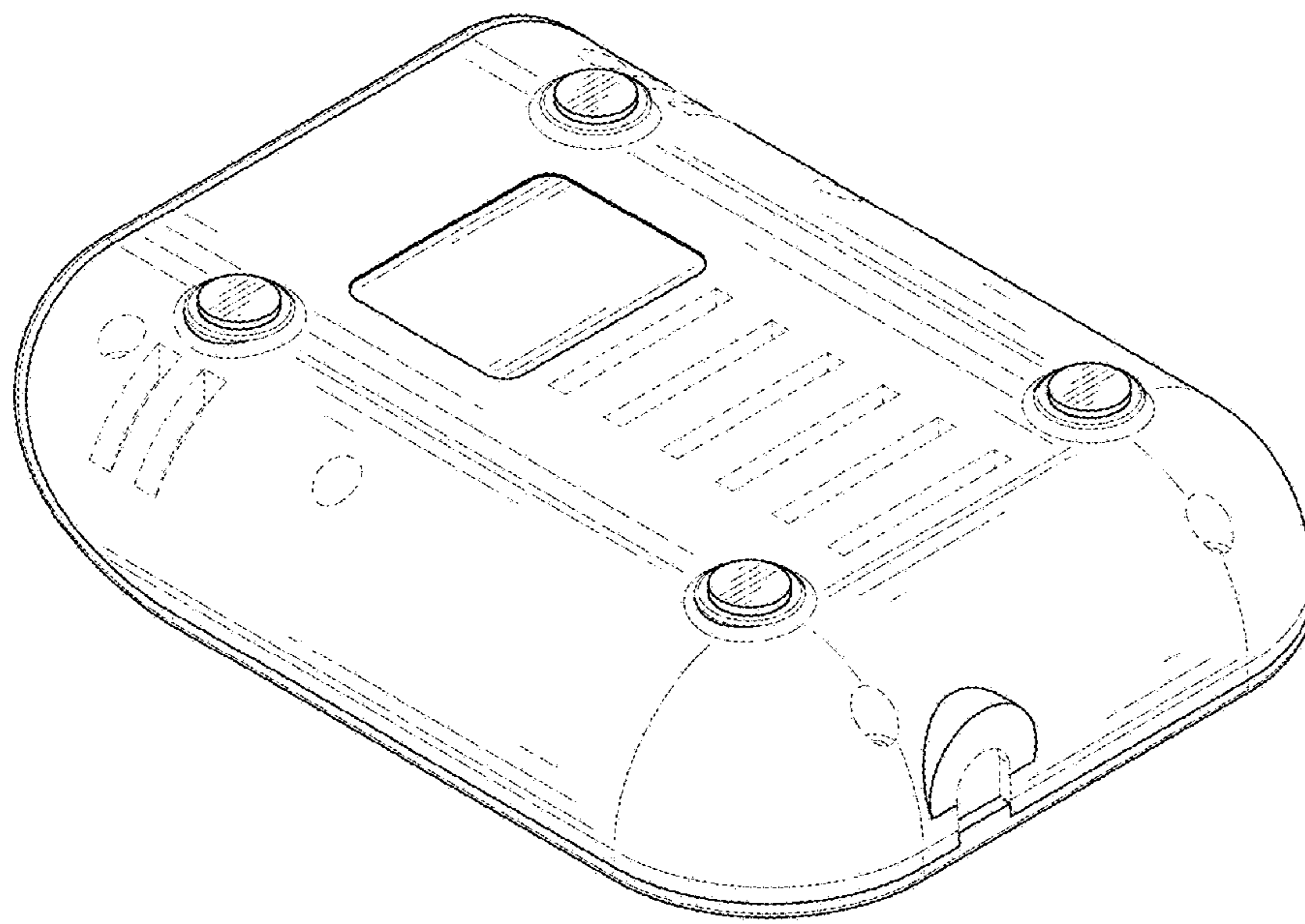


FIG. 2

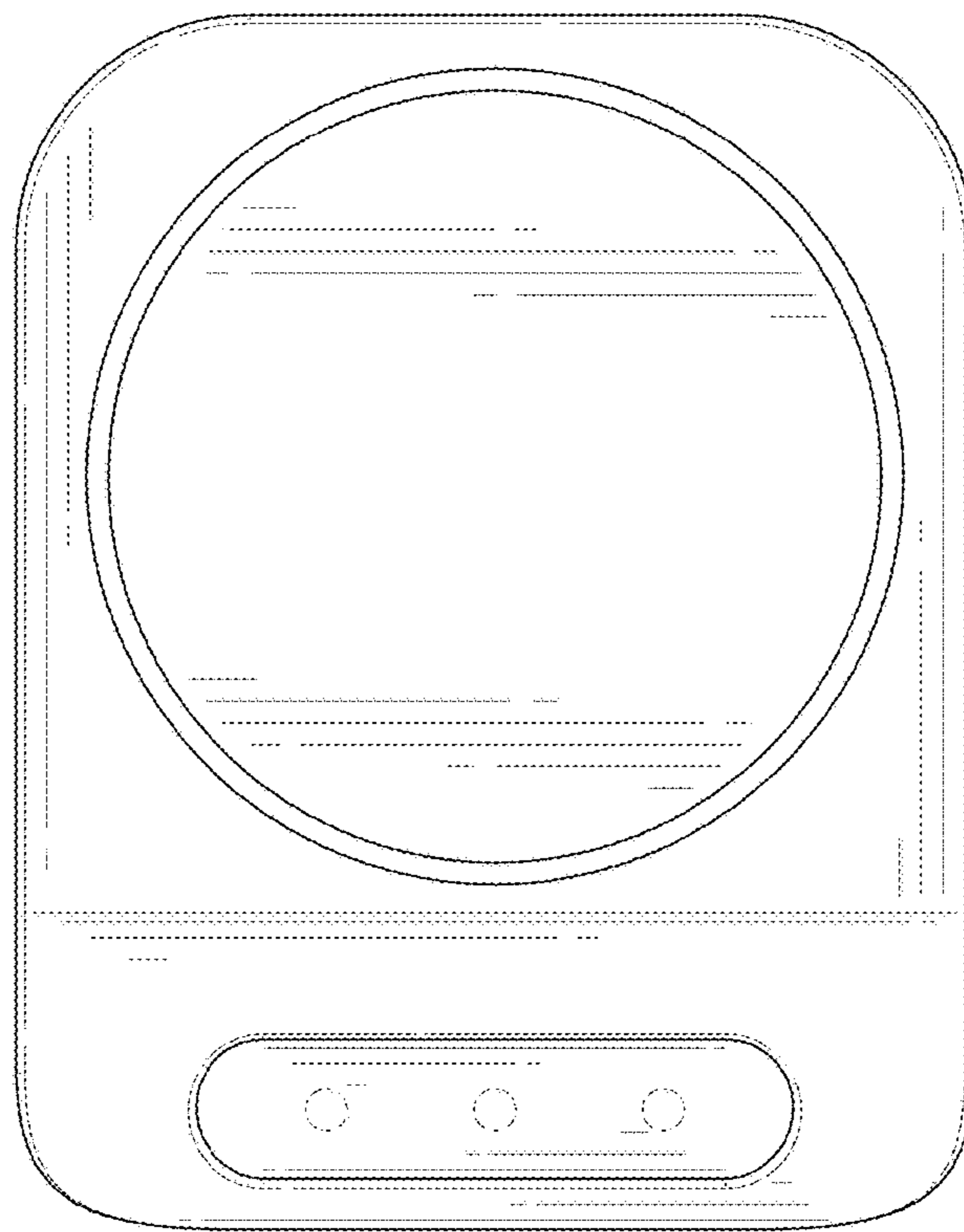


FIG. 3

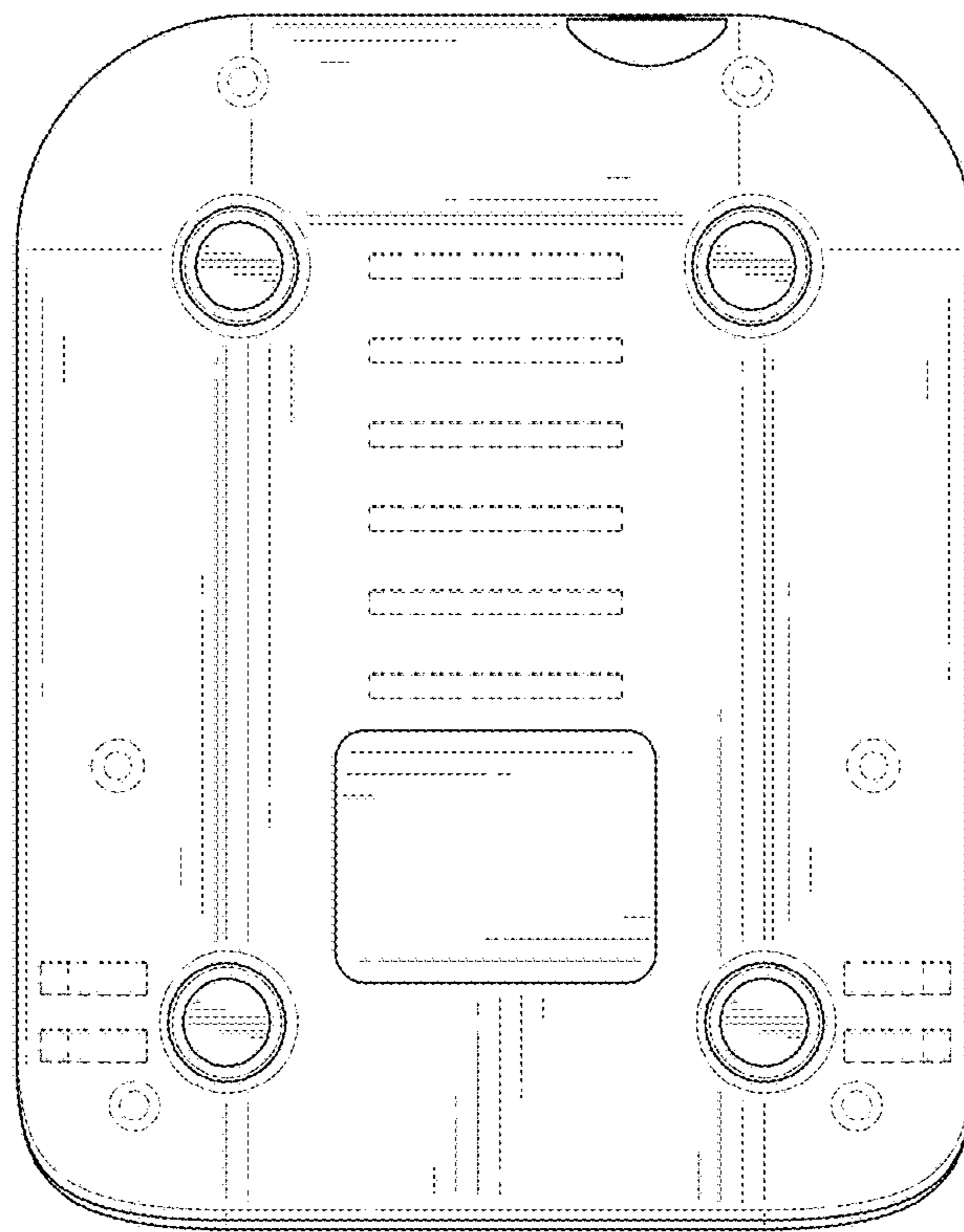


FIG. 4

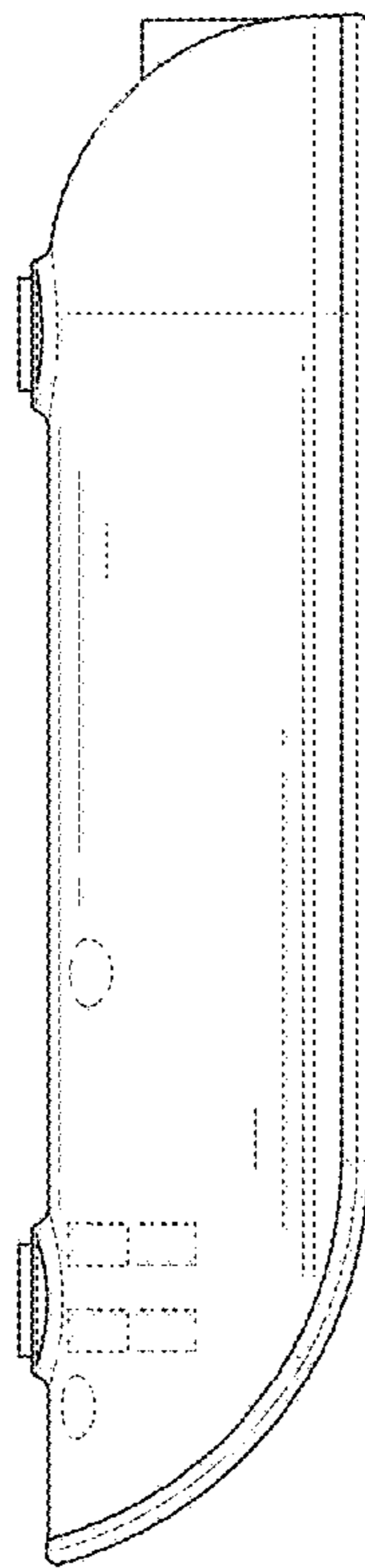


FIG. 5

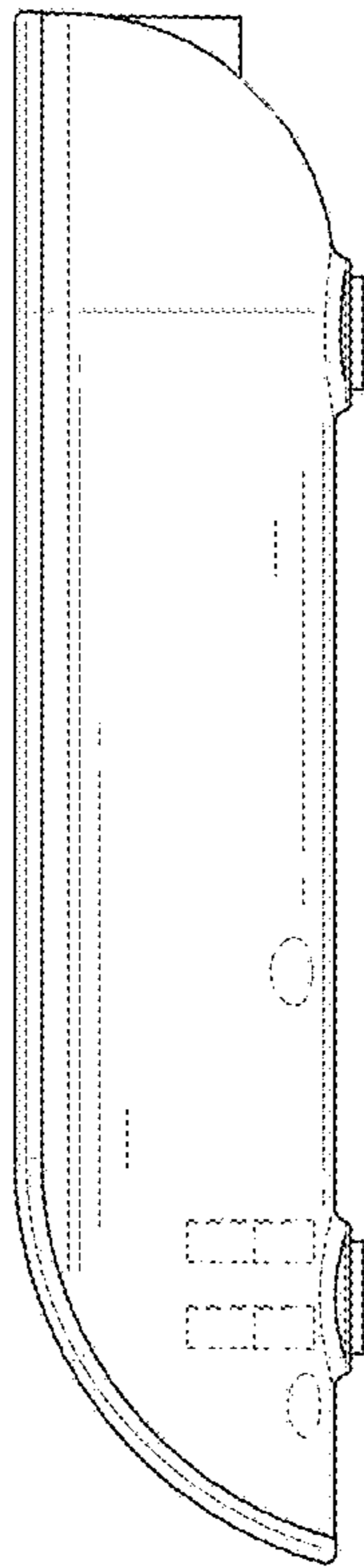


FIG. 6

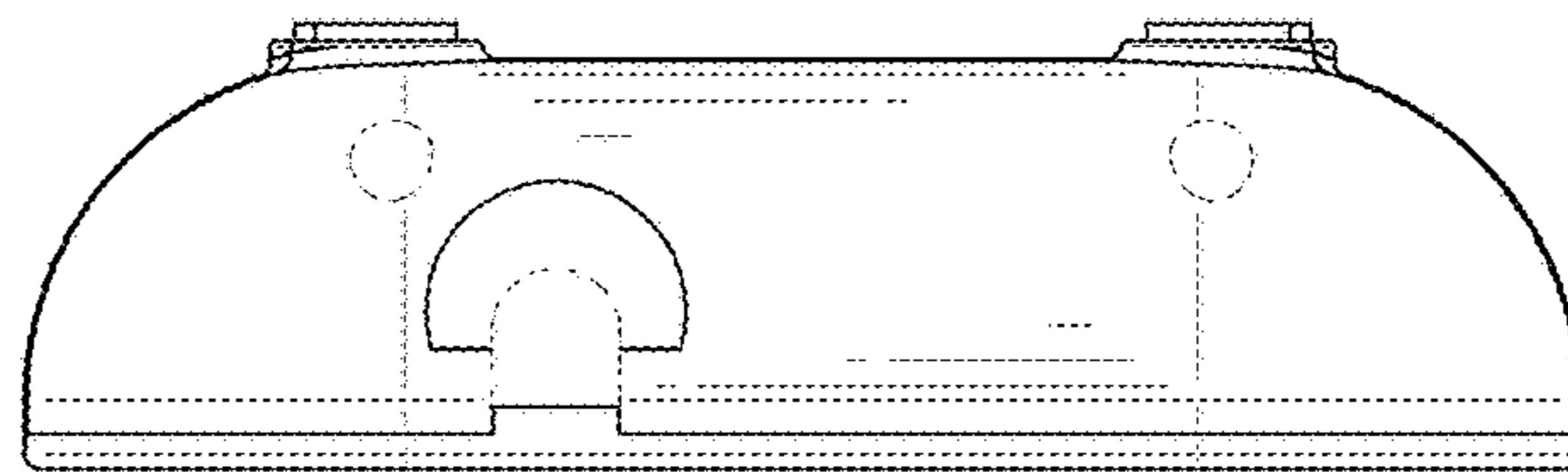


FIG. 7



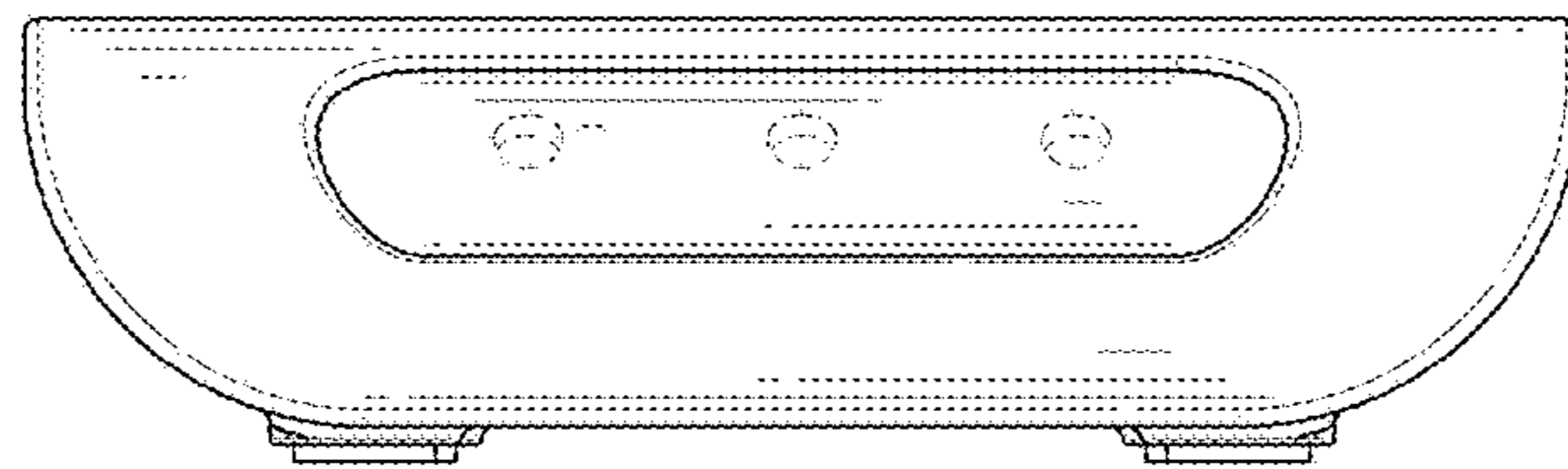


FIG. 8