



US00D854875S

(12) **United States Design Patent** (10) **Patent No.:** **US D854,875 S**  
**Tan** (45) **Date of Patent:** **\*\* Jul. 30, 2019**

(54) **PRESSURE COOKER**

(56) **References Cited**

(71) Applicant: **FOSHAN SHUNDE MIDEA  
ELECTRICAL HEATING  
APPLIANCES MANUFACTURING  
CO., LTD., Guangdong (CN)**

U.S. PATENT DOCUMENTS

D416,434 S *	11/1999	Pollnow .....	D7/360
D568,092 S *	5/2008	Boes .....	D7/354
D642,422 S *	8/2011	Averty .....	A47J 27/0802 D7/354
D659,462 S *	5/2012	Hundley .....	A47J 27/09 D7/354
D698,595 S *	2/2014	Kunz .....	D7/354
D711,182 S *	8/2014	Roussard .....	D7/354
D728,301 S *	5/2015	Hack .....	D7/368
D777,505 S *	1/2017	Carpenter .....	D7/354
D802,987 S *	11/2017	Corlay .....	D7/358
D832,024 S *	10/2018	Wessels .....	D7/354
D838,546 S *	1/2019	Wang .....	D7/406
2009/0101643 A1 *	4/2009	Rhetat .....	A47J 27/09 220/203.01

(72) Inventor: **Mao Tan, Guangdong (CN)**

(73) Assignee: **FOSHAN SHUNDE MIDEA  
ELECTRICAL HEATING  
APPLIANCES MANUFACTURING  
CO., LTD., Foshan (CN)**

(\*\*) Term: **15 Years**

(21) Appl. No.: **29/645,541**

(22) Filed: **Apr. 27, 2018**

(30) **Foreign Application Priority Data**

Nov. 9, 2017 (CN) ..... 2017 3 0550719

(51) **LOC (11) Cl.** ..... **07-02**

(52) **U.S. Cl.**  
USPC ..... **D7/358; D7/354**

(58) **Field of Classification Search**  
USPC ..... D7/323, 354-361, 368, 391, 393, 406  
CPC ..... A47J 27/00; A47J 27/004; A47J 27/08;  
A47J 27/0802; A47J 27/0804; A47J  
27/0811; A47J 27/0813; A47J 27/0815;  
A47J 27/0817; A47J 27/084; A47J 27/09;  
A47J 27/092; A47J 36/025; A47J 36/06;  
A47J 37/12; A47J 37/1204; A47J  
37/1209; A47J 45/07; A47J 45/071; A47J  
45/074; A47J 45/08; B01D 2201/345;  
B01J 3/03; B01J 3/04; F01P 2011/0247;  
F01P 2011/0252; H05B 6/00; H05B 6/02;  
H05B 6/06

See application file for complete search history.

(Continued)

*Primary Examiner* — Ricky Pham

(74) *Attorney, Agent, or Firm* — Morgan, Lewis & Bockius LLP

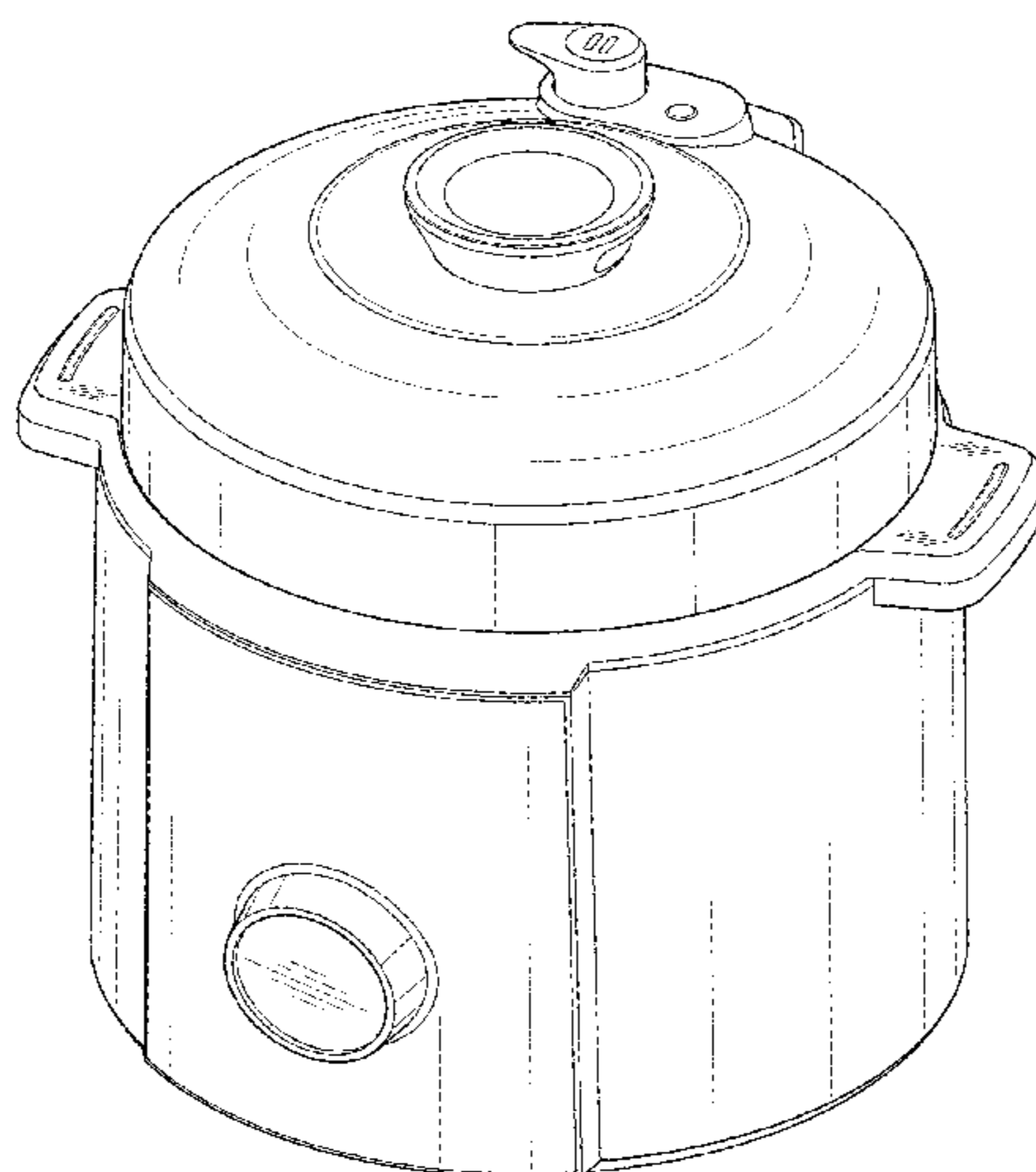
(57) **CLAIM**

The ornamental design for a pressure cooker, as shown and described.

**DESCRIPTION**

FIG. 1 is a front perspective view of a pressure cooker showing my new design; FIG. 2 is a front elevational view thereof; FIG. 3 is a rear elevational view thereof; FIG. 4 is a right-side elevational view thereof; FIG. 5 is a left-side elevational view thereof; FIG. 6 is a top plan view thereof; and, FIG. 7 is a bottom plan view thereof. The broken lines immediately adjacent the shaded areas represent the bounds of the claimed design while all other broken lines are directed to environment and are for illustrative purposes only; the broken lines form no part of the claimed design.

**1 Claim, 7 Drawing Sheets**



(56)

**References Cited**

U.S. PATENT DOCUMENTS

2013/0019759 A1\* 1/2013 Tumenbatur ..... A47J 27/0802  
99/337

\* cited by examiner

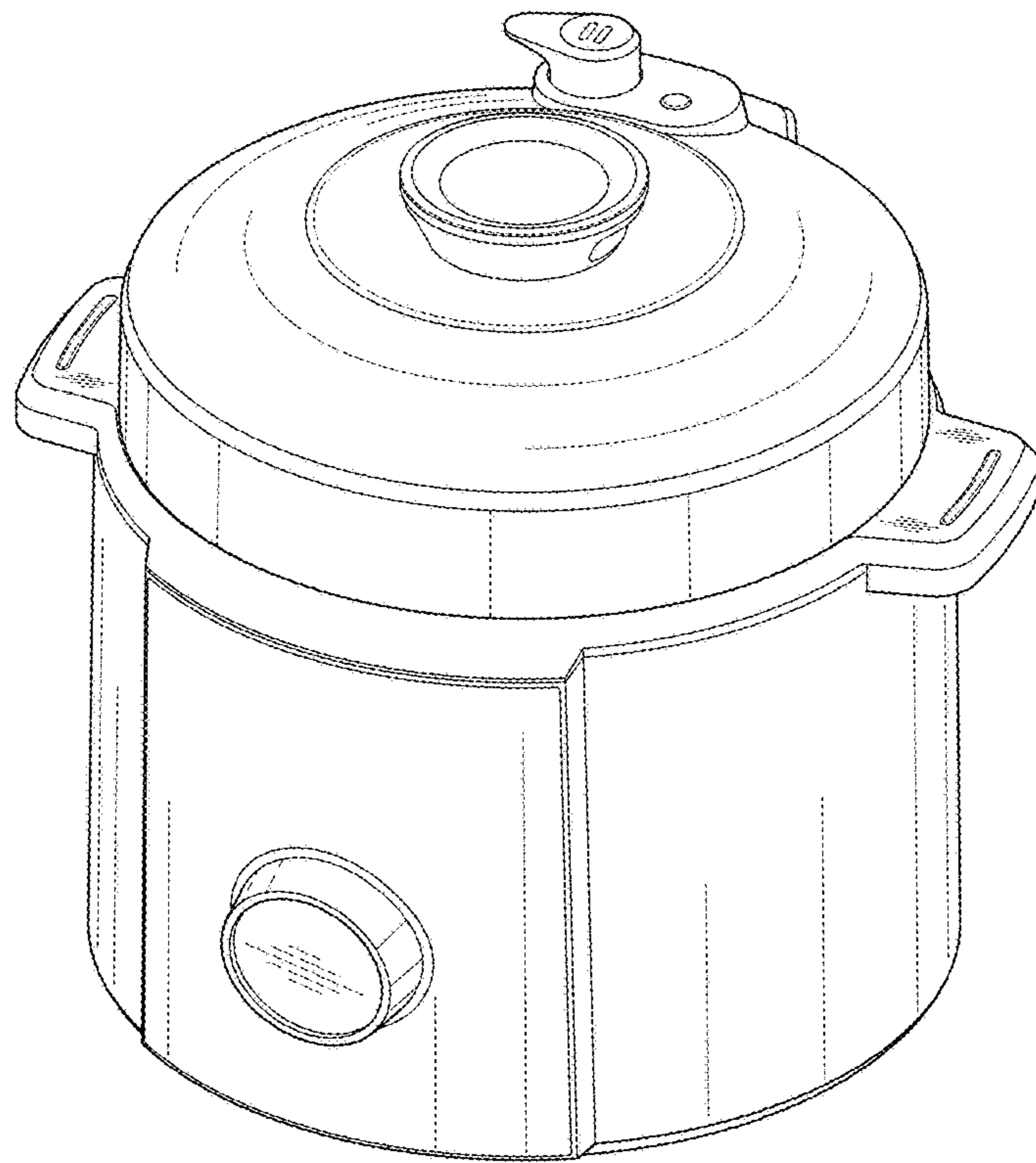


FIG. 1

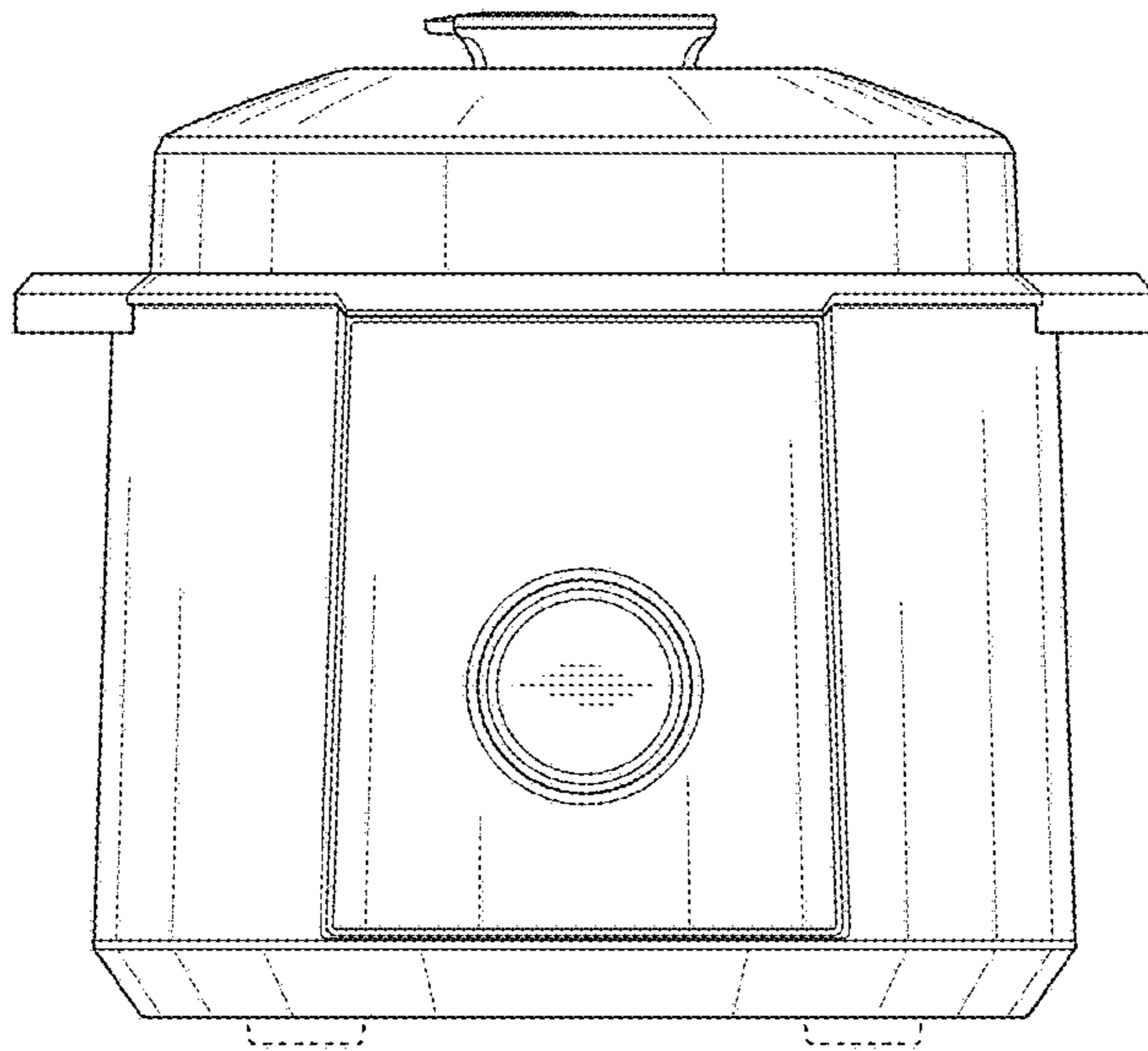


FIG. 2

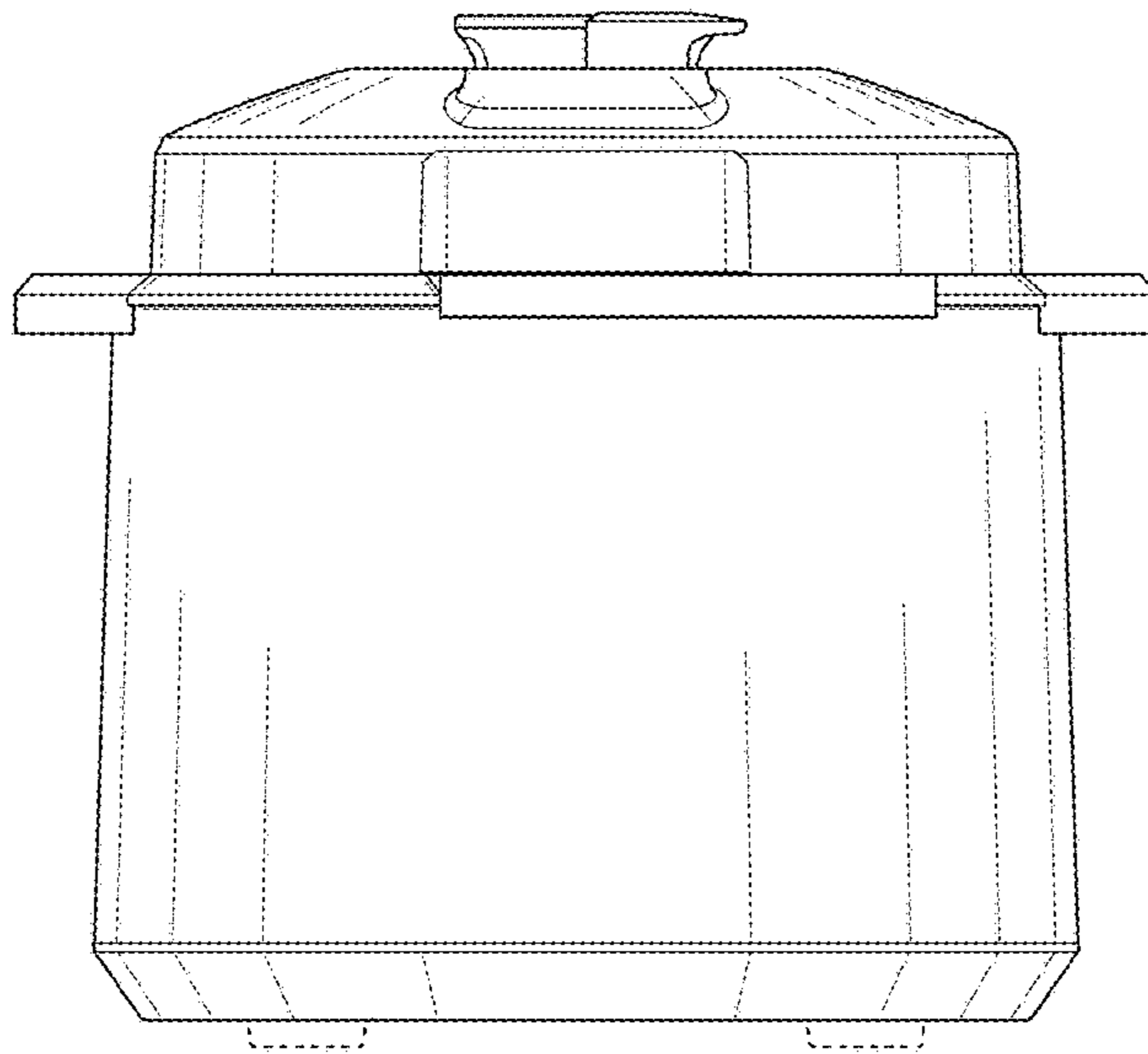


FIG. 3

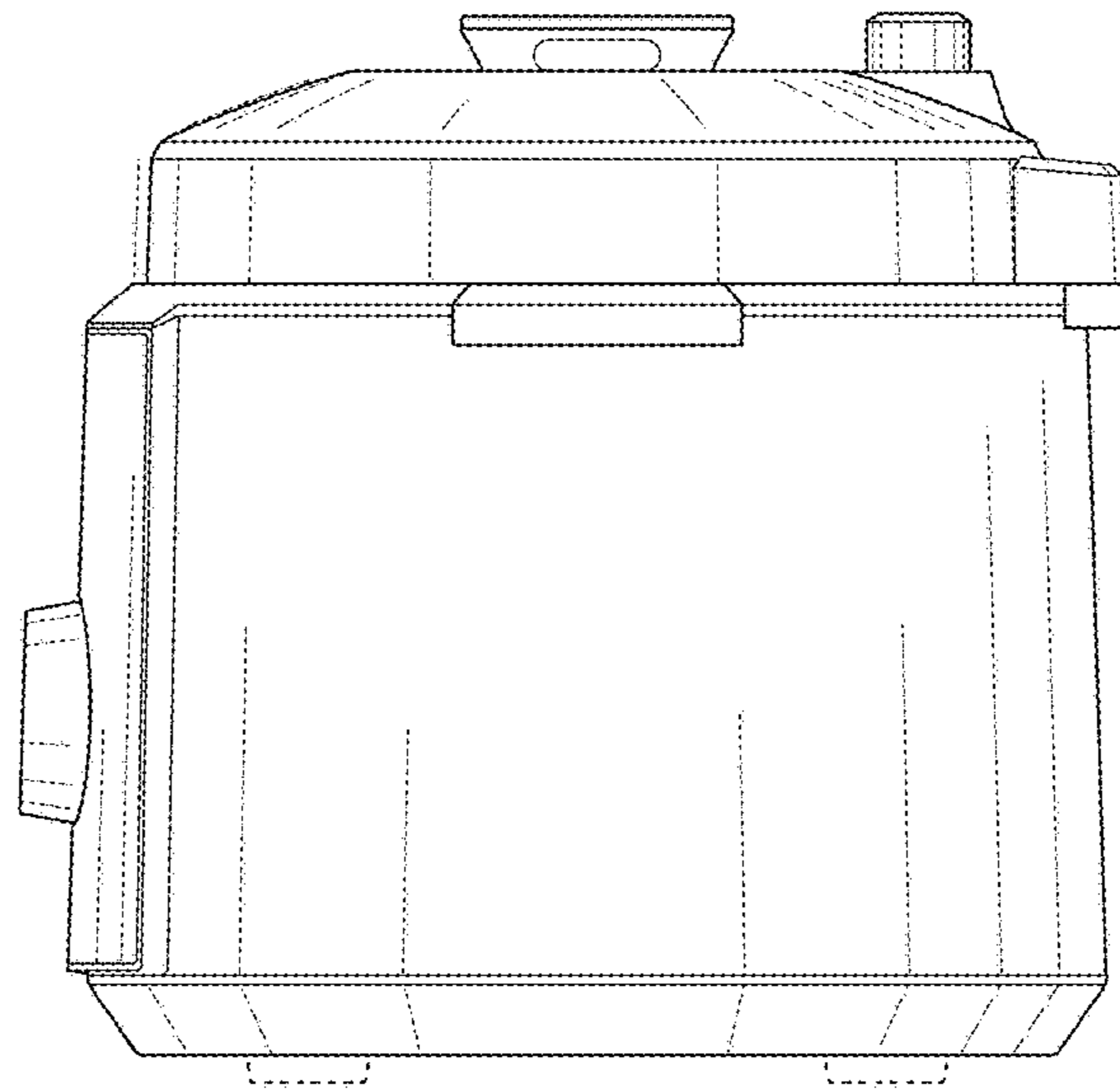


FIG. 4

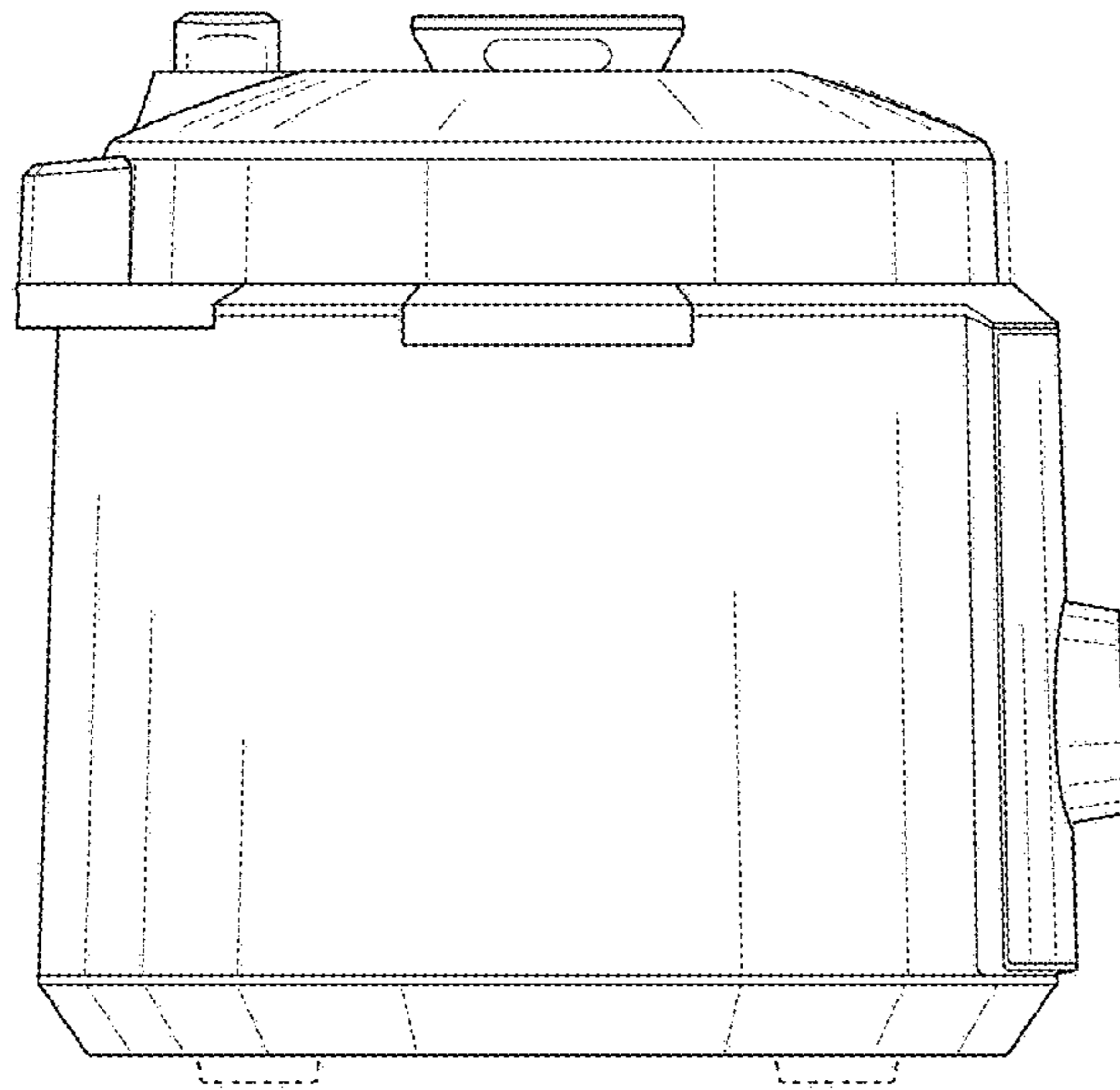


FIG. 5

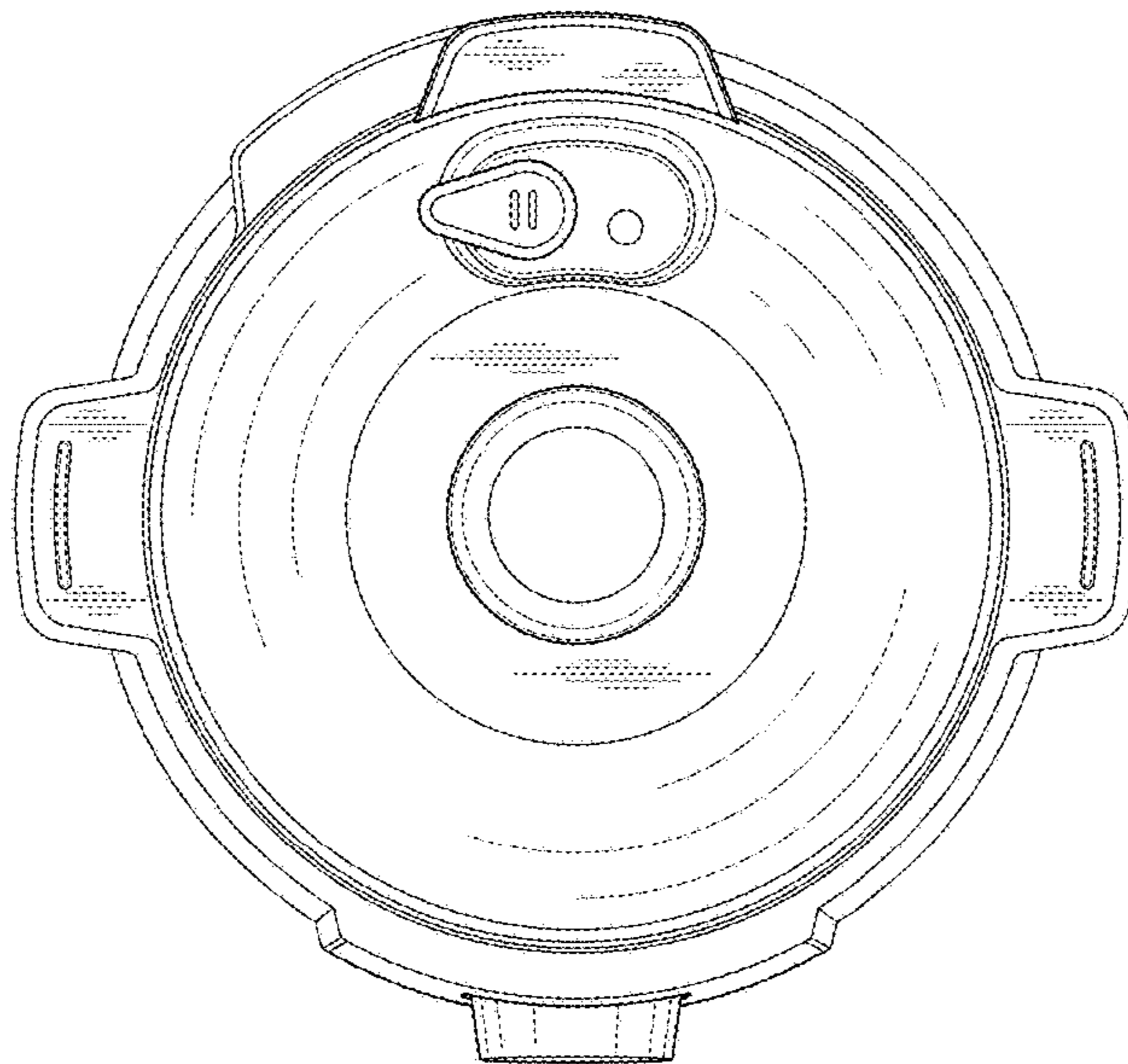


FIG. 6



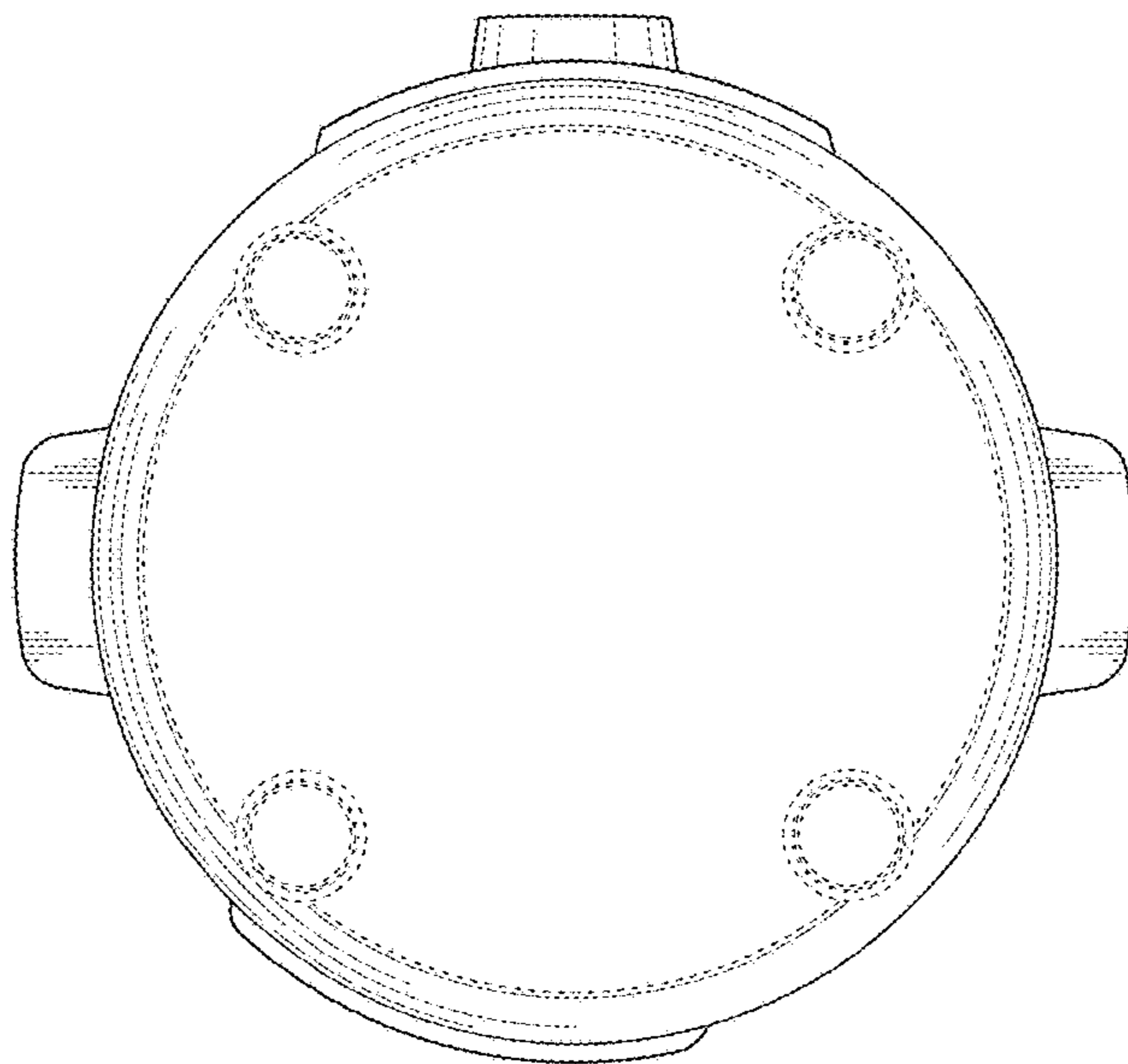


FIG. 7